



US00D658876S

(12) **United States Design Patent**  
**Holobinko**

(10) **Patent No.:** **US D658,876 S**

(45) **Date of Patent:** **\*\* May 8, 2012**

(54) **LOCKER**

(76) Inventor: **Timothy Holobinko**, Naples, FL (US)

(\*\*) Term: **14 Years**

(21) Appl. No.: **29/394,658**

(22) Filed: **Jun. 20, 2011**

(51) **LOC (9) Cl.** ..... **03-01**

(52) **U.S. Cl.** ..... **D3/294**

(58) **Field of Classification Search** ..... D3/299,  
D3/294, 321, 215, 273, 295, 905; D99/34-35;  
206/372-373; 109/59 R

See application file for complete search history.

(56) **References Cited**

**U.S. PATENT DOCUMENTS**

3,712,091 A	1/1973	Parent	
4,074,918 A	2/1978	Kotzin, Jr.	
4,901,543 A	2/1990	Applebaum	
4,971,390 A	11/1990	McGinley	
5,009,088 A	4/1991	Cislo	
5,056,342 A	10/1991	Prinz	
5,074,617 A	12/1991	Maxwell et al.	
D329,747 S	9/1992	Embree	
5,590,608 A	1/1997	Yore et al.	
6,085,671 A	7/2000	Kerr et al.	
6,581,424 B2 *	6/2003	Oliver	70/164
6,813,912 B1	11/2004	Ng et al.	
D515,314 S *	2/2006	Stantial	D3/295
D535,936 S *	1/2007	Greene	D12/414.1
D539,540 S	4/2007	Perlman et al.	
D539,727 S *	4/2007	O'Connor et al.	D12/414.1
7,249,799 B2	7/2007	Luce	
D558,977 S *	1/2008	Pearl et al.	D3/294
D560,875 S	1/2008	Decarlo et al.	
D561,995 S	2/2008	Poole	
D572,425 S *	7/2008	Themistos	D99/28
D586,975 S *	2/2009	Knox	D99/28

7,641,279 B1	1/2010	Curcio	
D624,275 S *	9/2010	Min	D99/28
7,866,505 B2	1/2011	Perlman et al.	
7,891,220 B2	2/2011	Yen et al.	
D637,813 S *	5/2011	Liang	D3/294
2002/0047294 A1	4/2002	Ellinidis et al.	

(Continued)

**FOREIGN PATENT DOCUMENTS**

DE 29705878 7/1984

(Continued)

*Primary Examiner* — Sheryl Lane

(74) *Attorney, Agent, or Firm* — Cohen & Grigsby, P.C.

(57) **CLAIM**

I claim the ornamental design for a locker, as shown and described.

**DESCRIPTION**

FIG. 1 is a top perspective view of the locker embodying my new design as claimed herein.

FIG. 2 is a rear perspective view of the locker shown in FIG. 1.

FIG. 3 is a top view of the locker shown in FIG. 1.

FIG. 4 is a bottom view of the locker shown in FIG. 1.

FIG. 5 is a left side view of the locker shown in FIG. 1.

FIG. 6 is a right side view of the locker shown in FIG. 1.

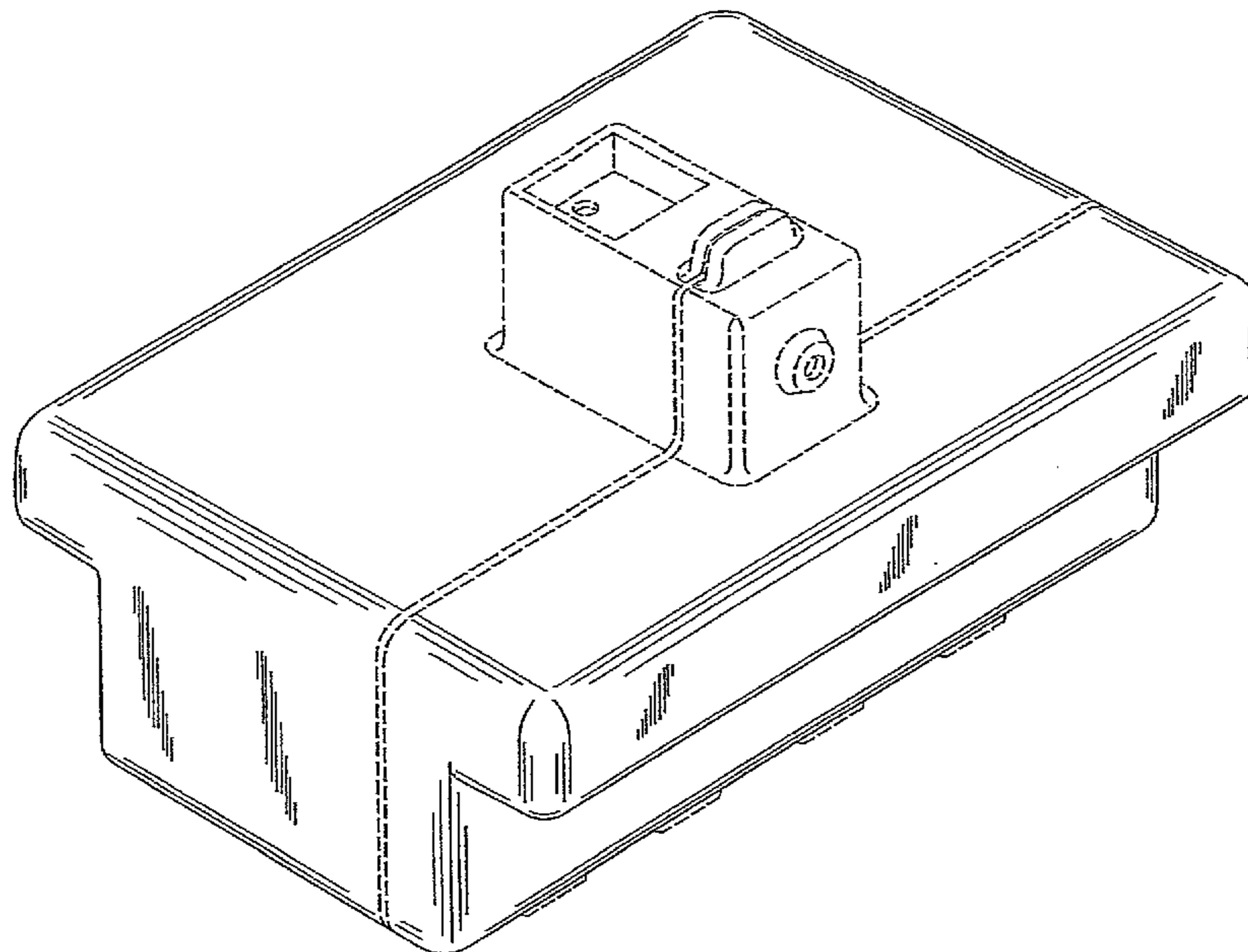
FIG. 7 is a front view of the locker shown in FIG. 1.

FIG. 8 is a rear view of the locker shown in FIG. 1; and,

FIG. 9 is a top perspective view of the locker shown in FIG. 1 in combination with a clamp.

The broken line showing of the locker is included for showing portions of the article and forms no part of the claimed design.

**1 Claim, 9 Drawing Sheets**



# US D658,876 S

Page 2

---

## U.S. PATENT DOCUMENTS

2004/0226325	A1	11/2004	Ling
2009/0095036	A1	4/2009	Ng et al.
2009/0183537	A1	7/2009	Yen et al.
2010/0259139	A1	10/2010	Tussy
2010/0281930	A1	11/2010	Hacker
2011/0067461	A1	3/2011	Hacker
2011/0100074	A1	5/2011	Meekma et al.

2011/0113991	A1	5/2011	Boyes
2011/0174199	A1	7/2011	Pendleton et al.

## FOREIGN PATENT DOCUMENTS

EP	1705332	9/2006
FR	2566649	1/1986
GB	2432185	6/2007

\* cited by examiner

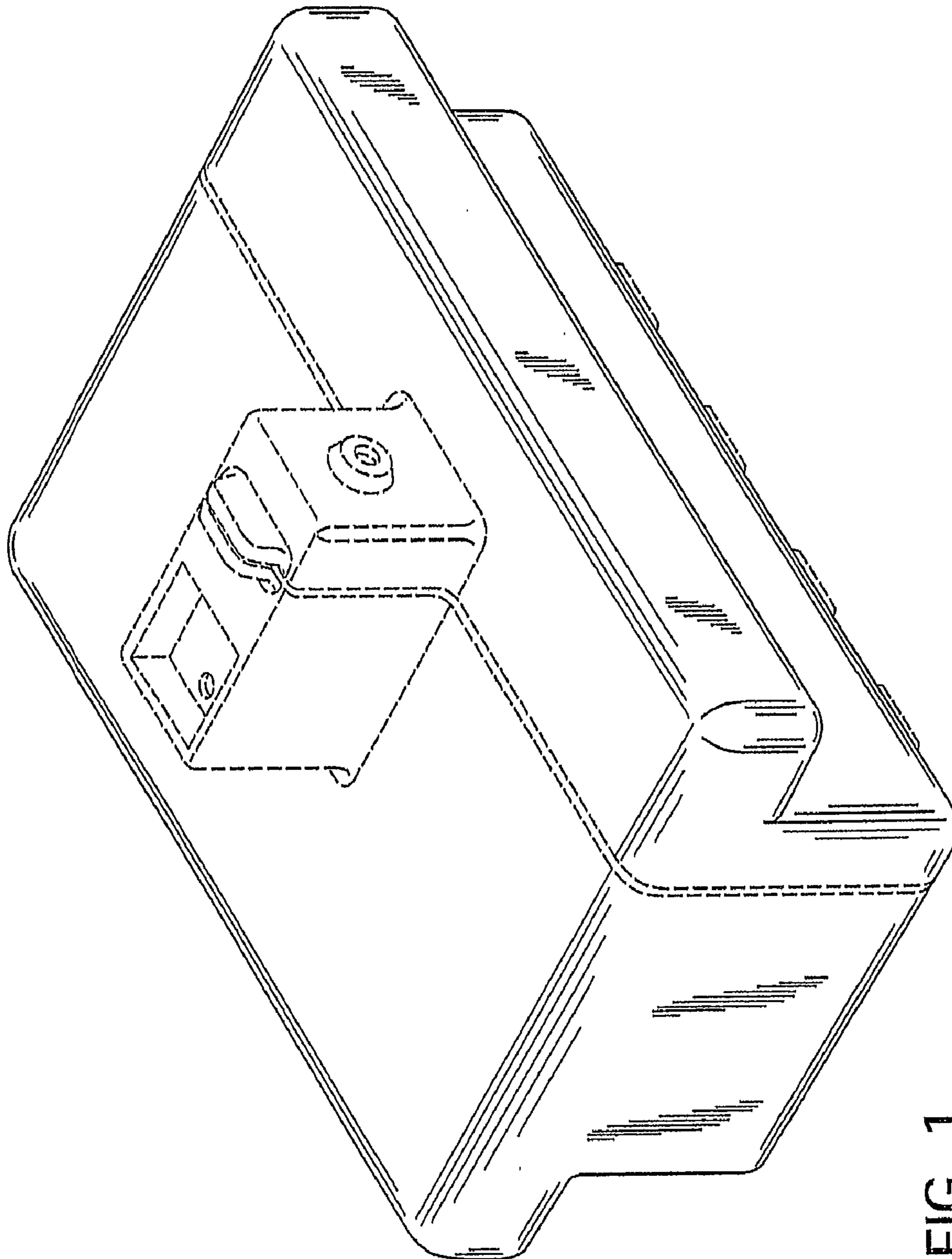


FIG. 1

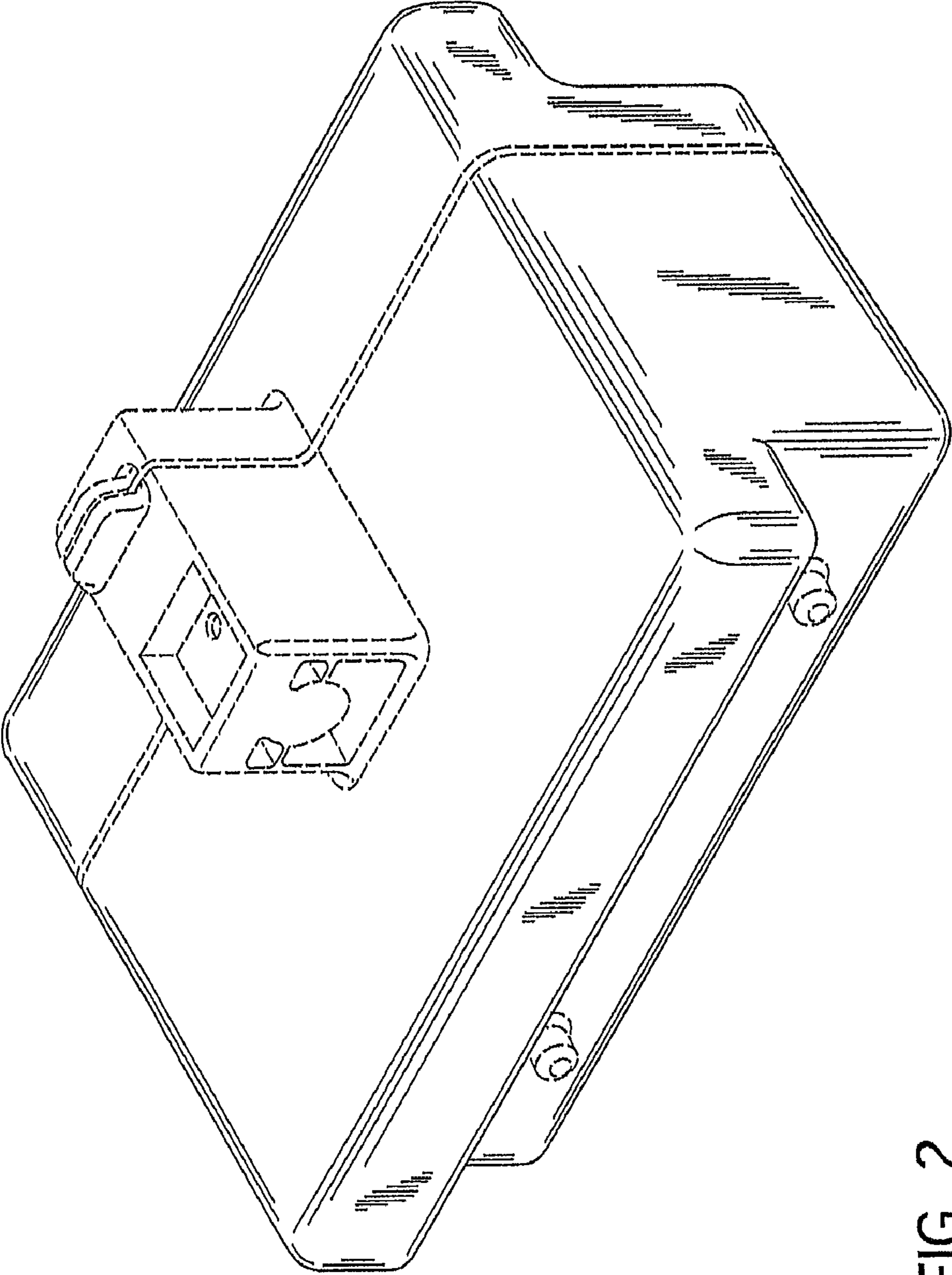


FIG. 2

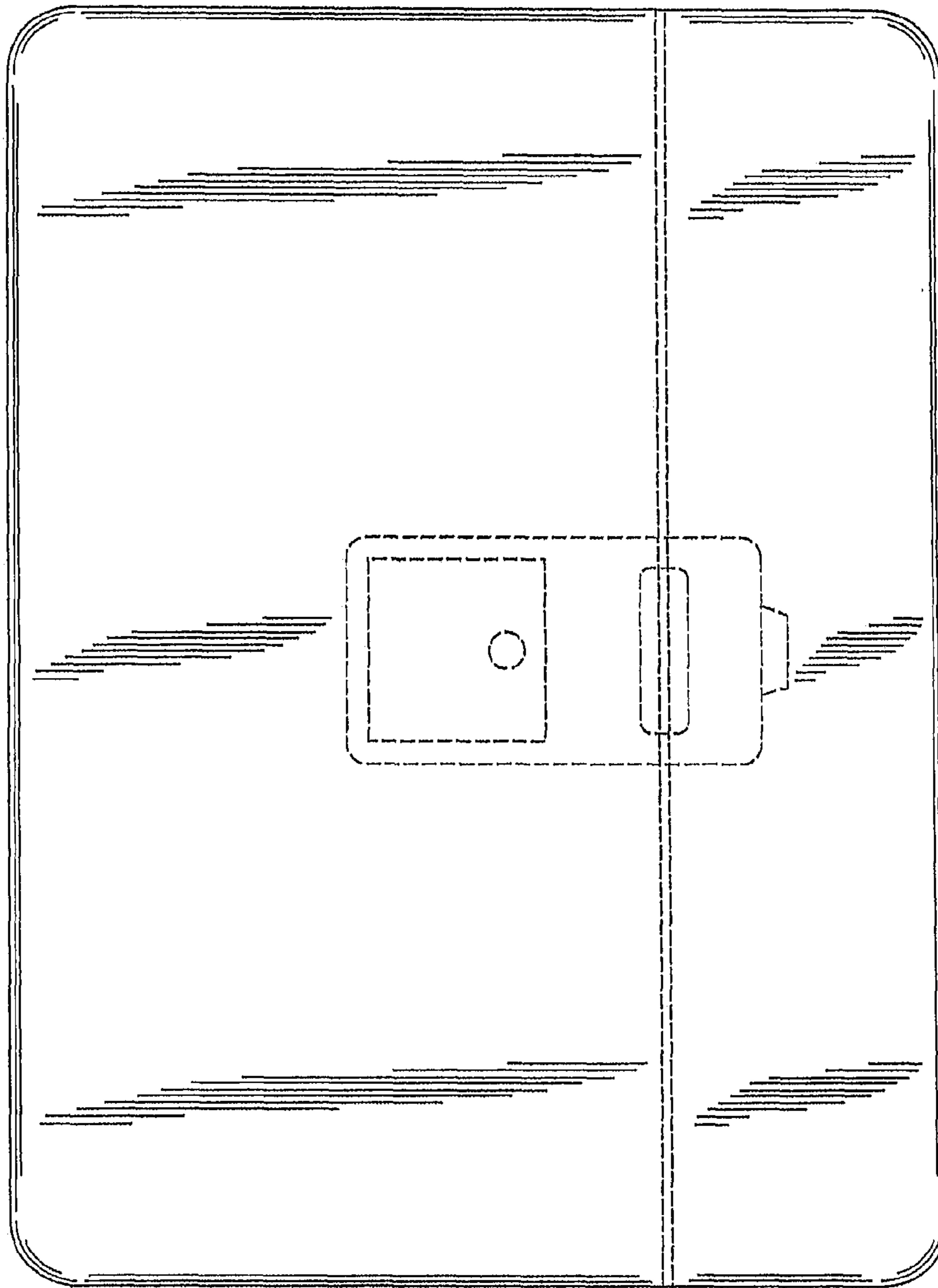


FIG. 3

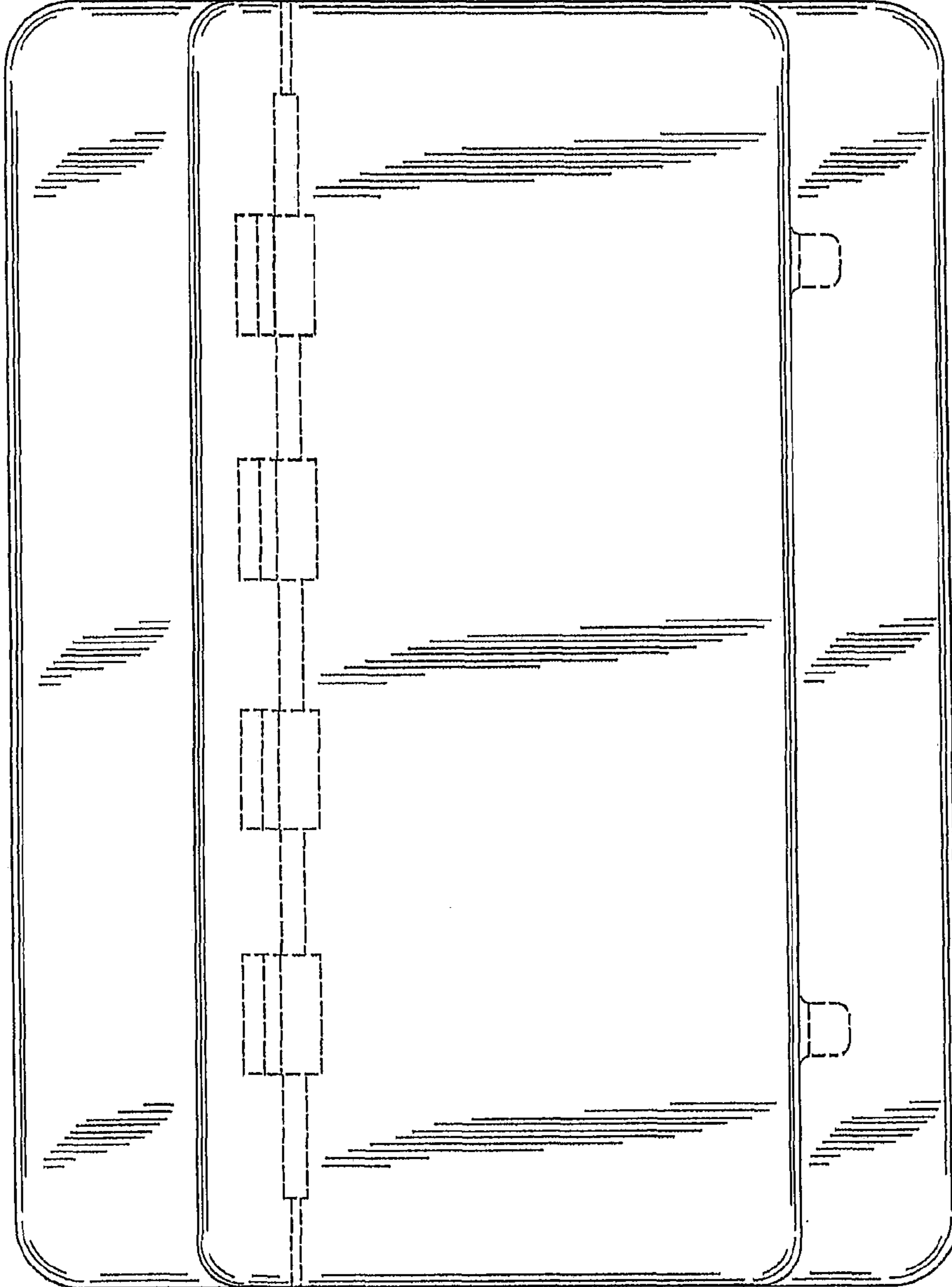


FIG. 4

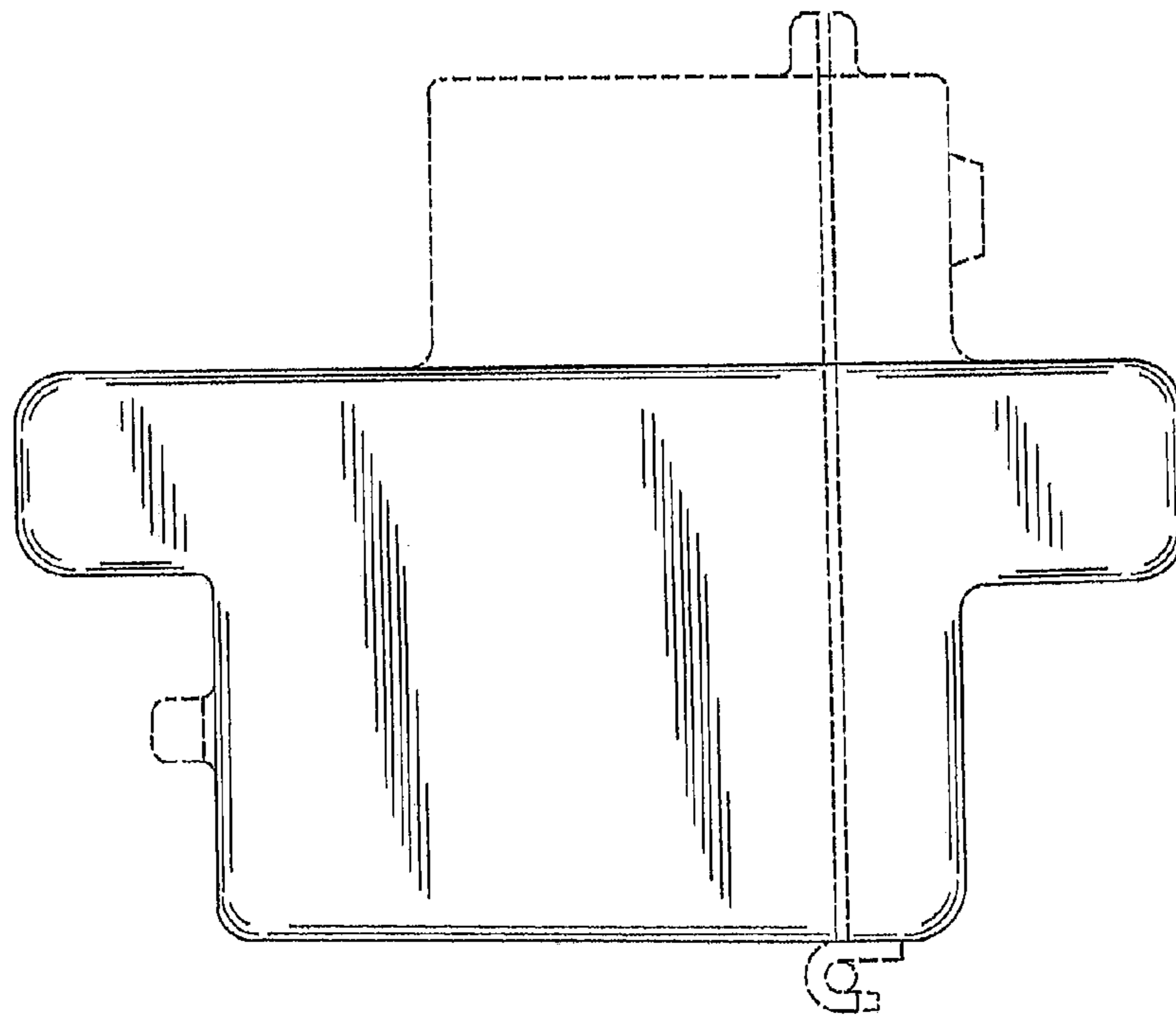


FIG. 5

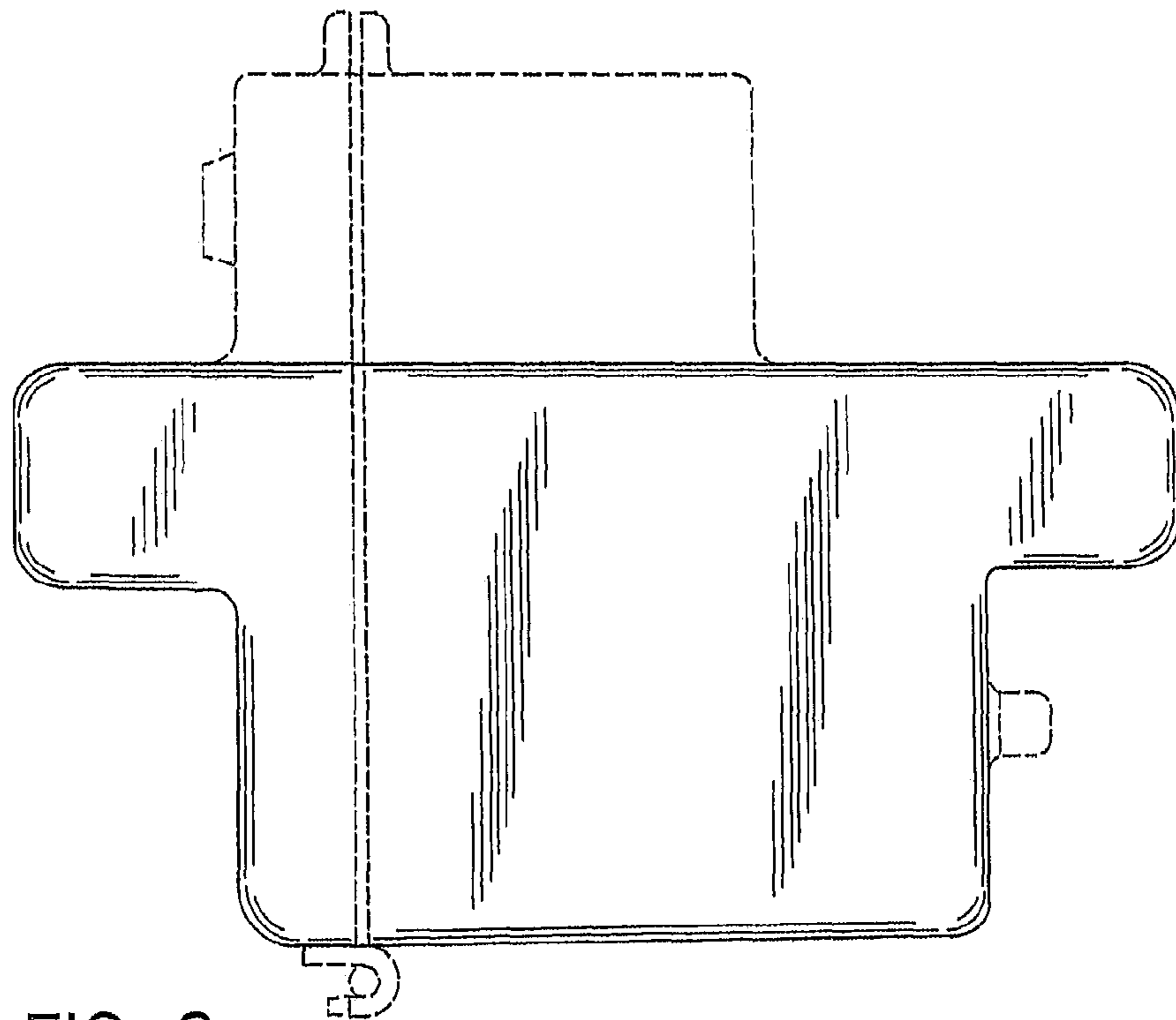


FIG. 6



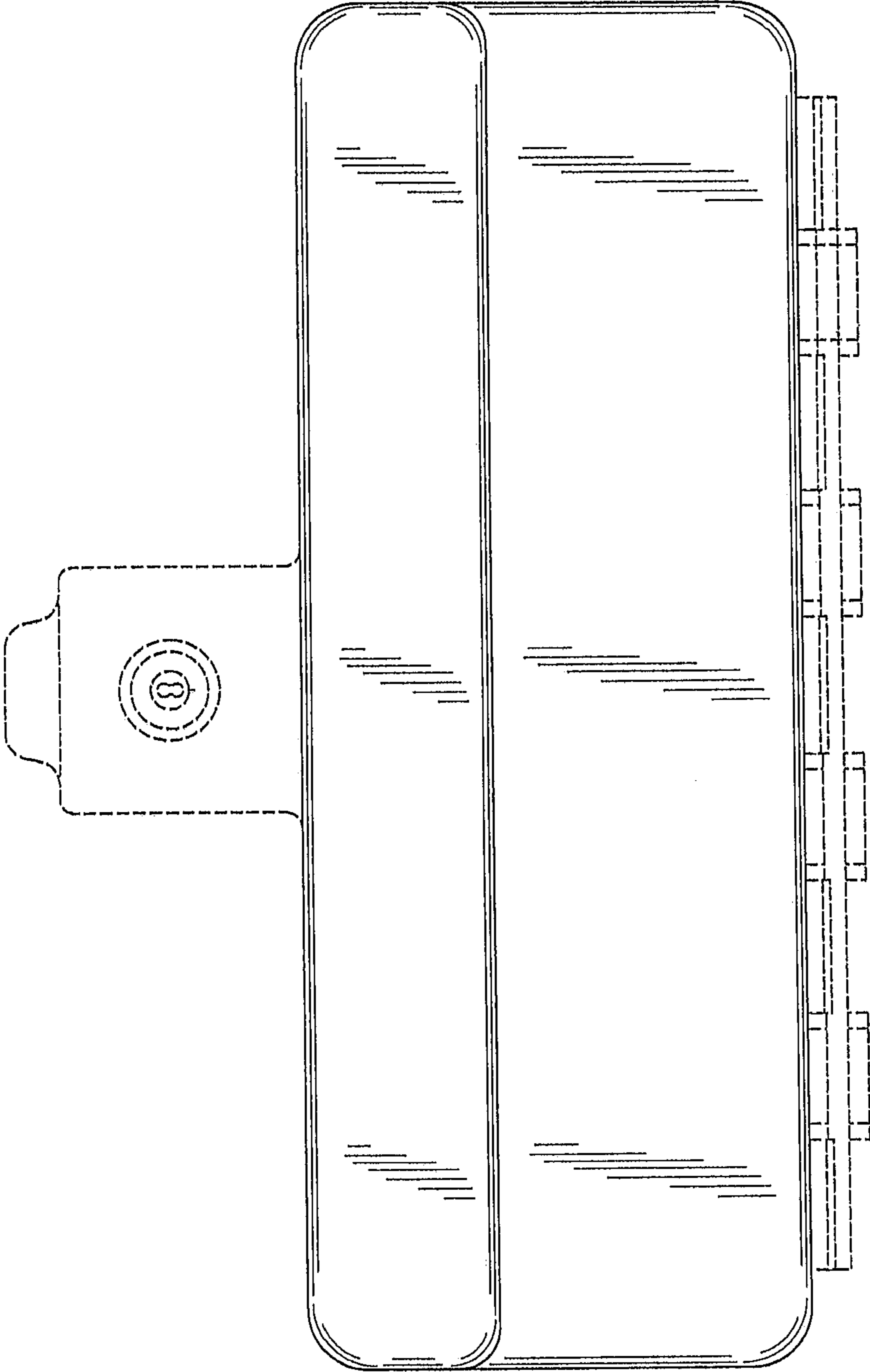


FIG. 7

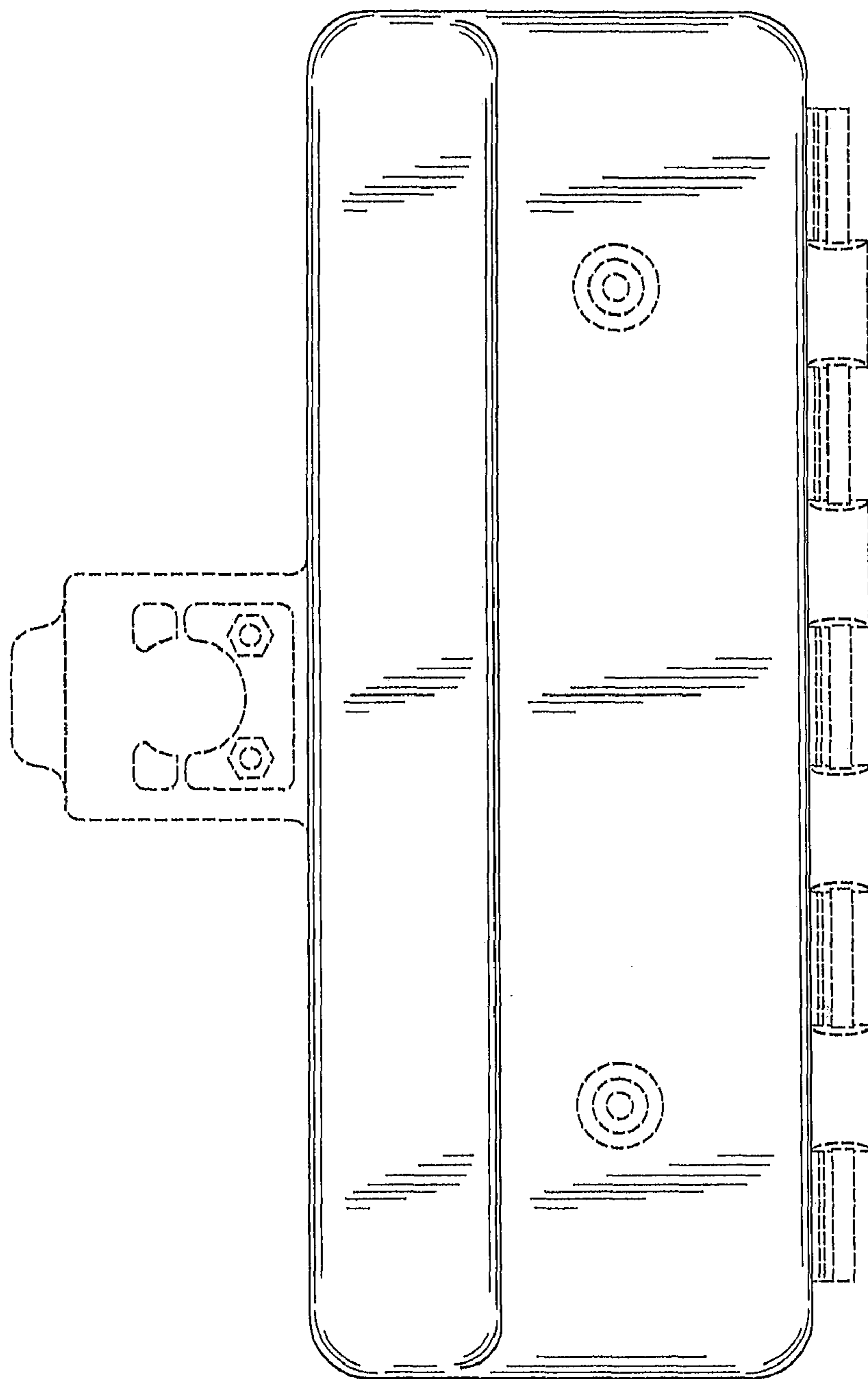


FIG. 8

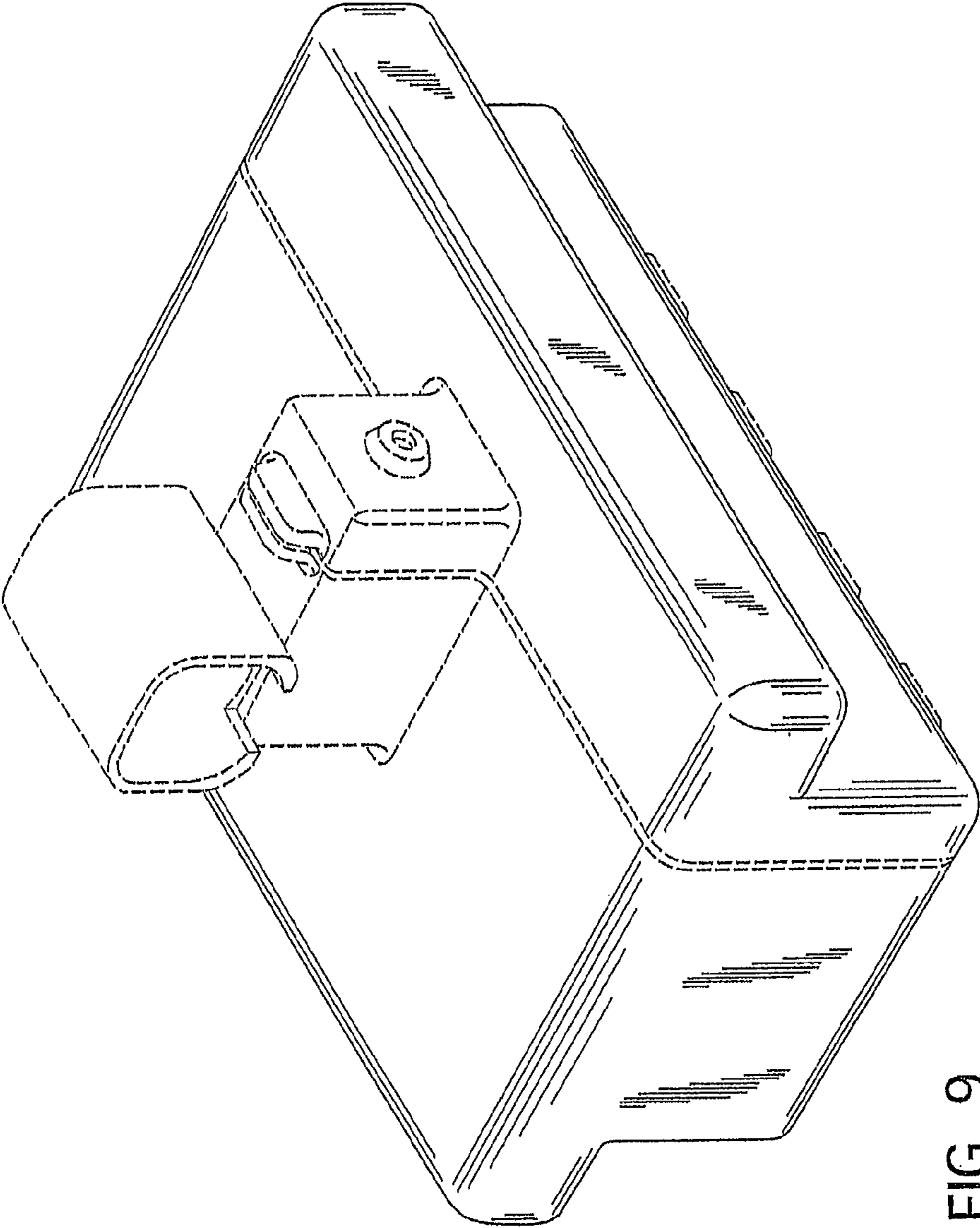


FIG. 9