



US00D658875S

(12) **United States Design Patent**
Xiang et al.

(10) **Patent No.:** **US D658,875 S**

(45) **Date of Patent:** **** May 8, 2012**

(54) **EARPHONE POUCH**

(75) Inventors: **Fei Xiang**, Singapore (SG); **Huang Pheng Vince Ang**, Singapore (SG); **Mingliang Chong**, Singapore (SG)

(73) Assignee: **Creative Technology Ltd**, Singapore (SG)

(**) Term: **14 Years**

(21) Appl. No.: **29/363,861**

(22) Filed: **Jun. 15, 2010**

(30) **Foreign Application Priority Data**

Dec. 18, 2009 (SG) D2009/1139/B

(51) **LOC (9) Cl.** **03-01**

(52) **U.S. Cl.** **D3/269**

(58) **Field of Classification Search** D3/201,
D3/215, 218, 269, 273, 294; D14/217, 432,
D14/250; 206/320; 455/575.8

See application file for complete search history.

(56) **References Cited**

U.S. PATENT DOCUMENTS

D333,560 S * 3/1993 Miyashita et al. D3/294
D345,647 S * 4/1994 Luxon D3/218
D491,364 S * 6/2004 Vish et al. D3/301
D568,605 S * 5/2008 Harris et al. D3/218
D590,392 S * 4/2009 Wang D14/356

D592,660 S * 5/2009 Wang D14/356
D606,302 S * 12/2009 Fahrendorff et al. D3/218
D607,198 S * 1/2010 Andre et al. D3/218
7,735,644 B2 * 6/2010 Sirichai et al. 206/320
D628,375 S * 12/2010 Andre et al. D3/218
2011/0034221 A1 * 2/2011 Hung et al. 455/575.8

* cited by examiner

Primary Examiner — Barbara Fox

(57) **CLAIM**

The ornamental design for an earphone pouch, substantially as shown and described.

DESCRIPTION

FIG. 1 is a perspective view of the earphone pouch in accordance with the present design;

FIG. 2 is a perspective exploded view of the earphone pouch shown in FIG. 1;

FIG. 3 is a front view of the earphone pouch shown in FIG. 1;

FIG. 4 is rear view of the earphone pouch shown in FIG. 1;

FIG. 5 is a left side view of the earphone pouch shown in FIG. 1;

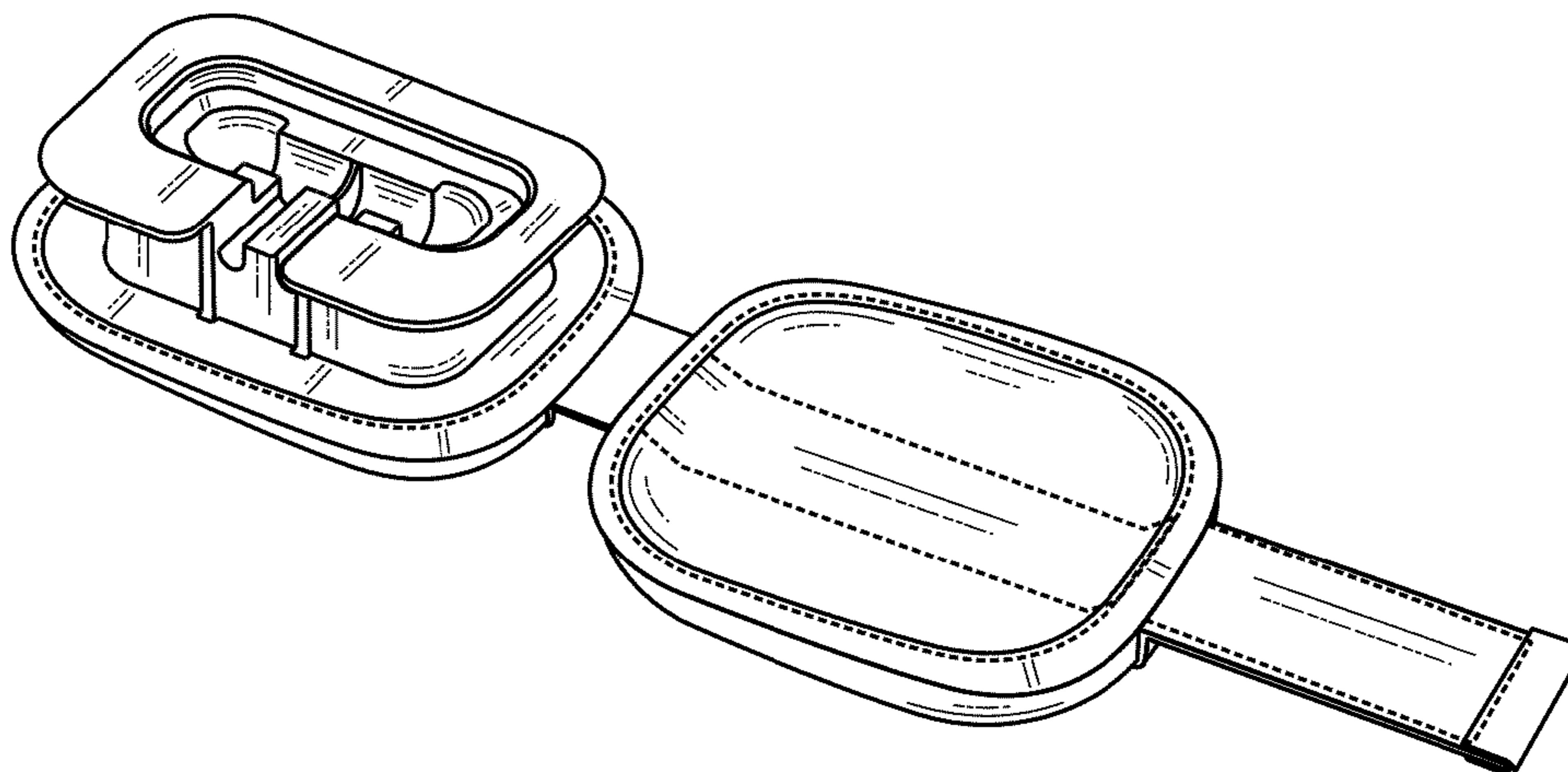
FIG. 6 is a right side view of the earphone pouch shown in FIG. 1;

FIG. 7 is a top view of the earphone pouch shown in FIG. 1; and,

FIG. 8 is a bottom view of the earphone pouch shown in FIG. 1.

The short dashed lines shown in the drawings represent stitching.

1 Claim, 4 Drawing Sheets



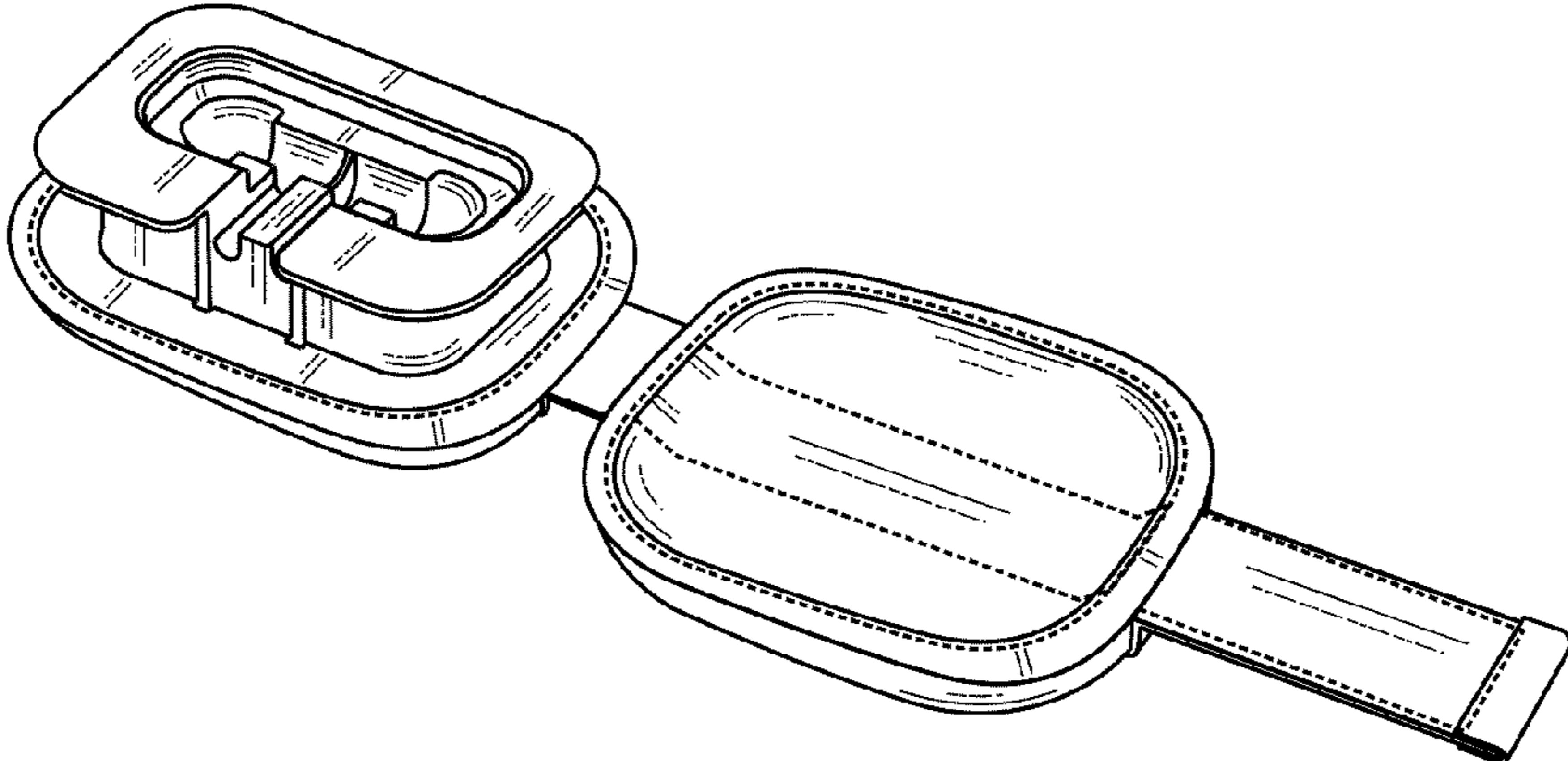


FIG. 1

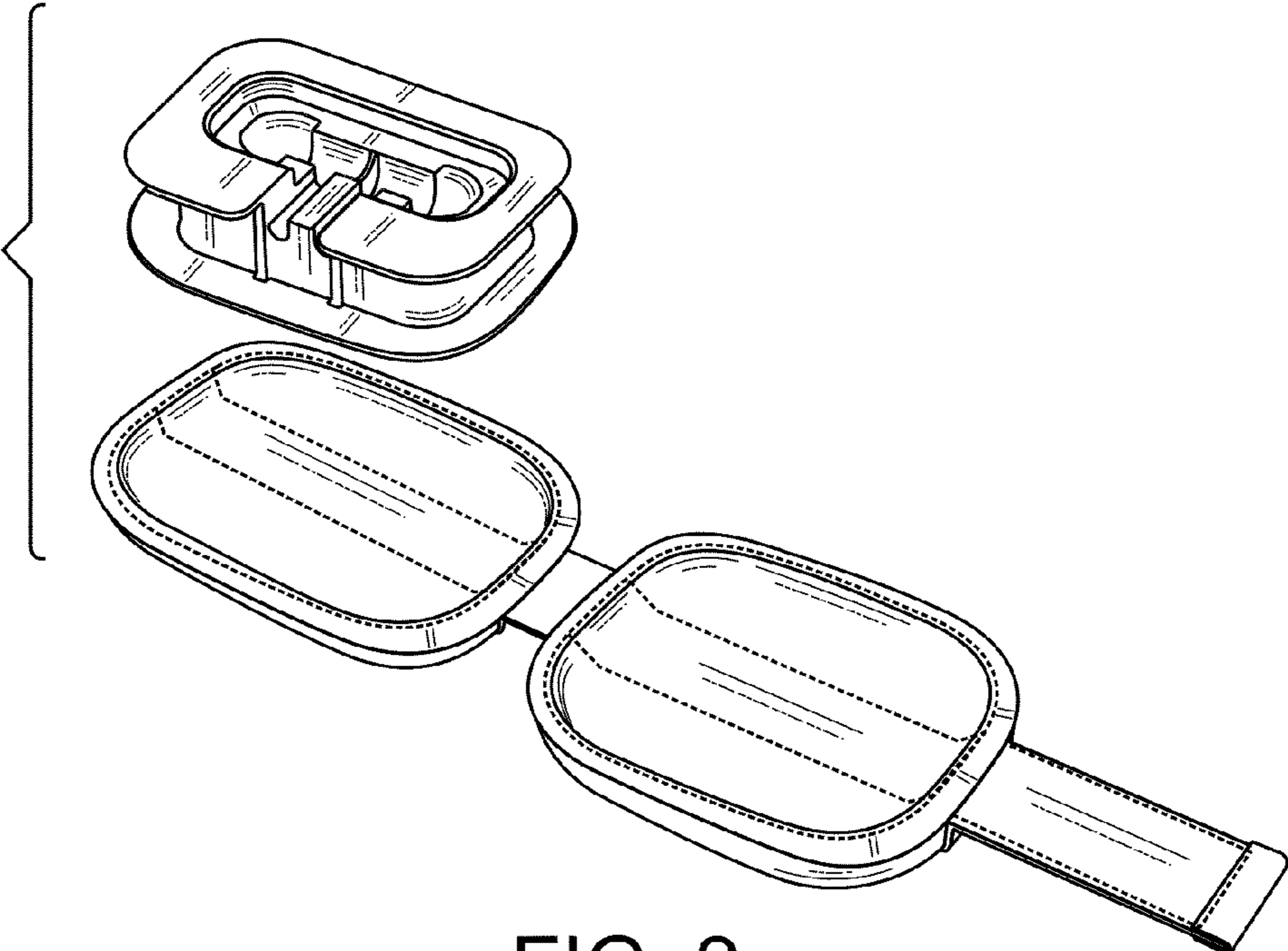


FIG. 2

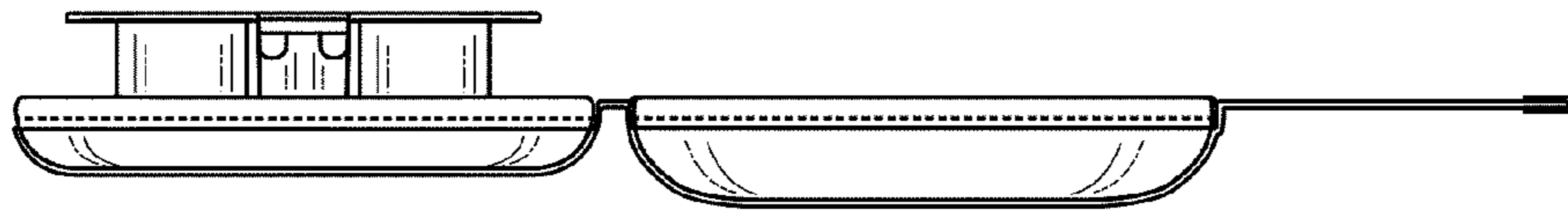


FIG. 3

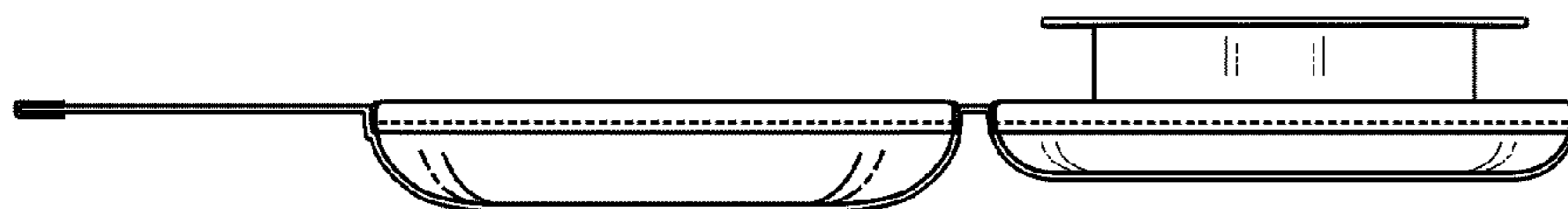


FIG. 4

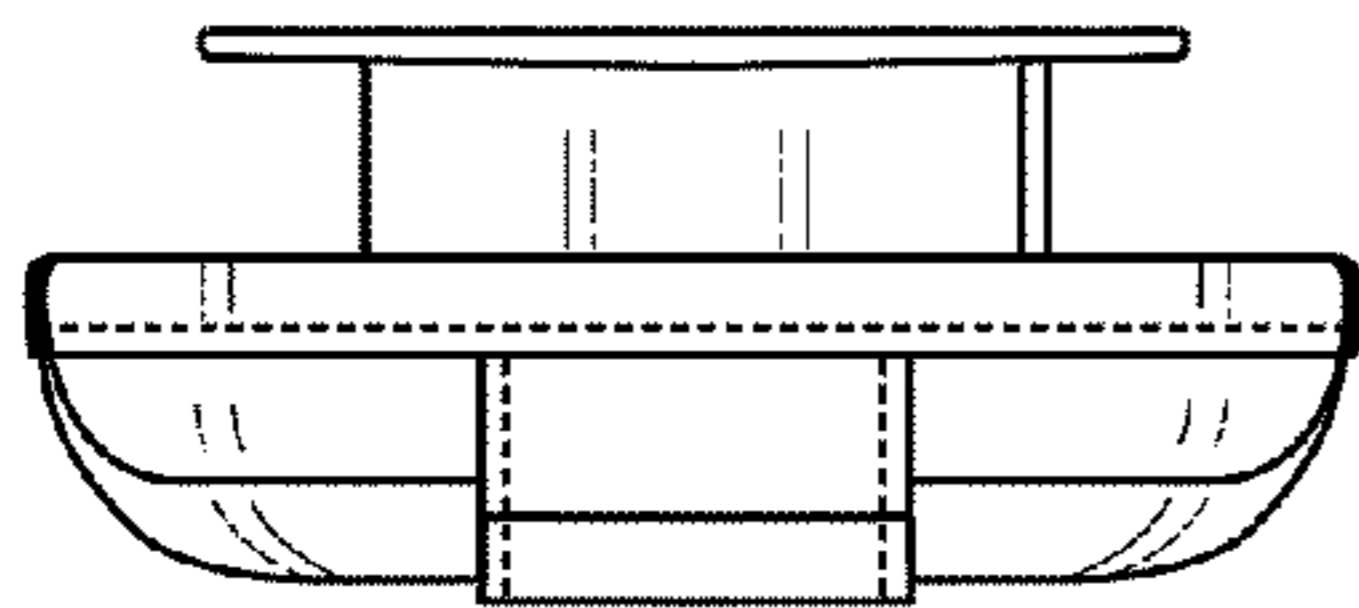


FIG. 5

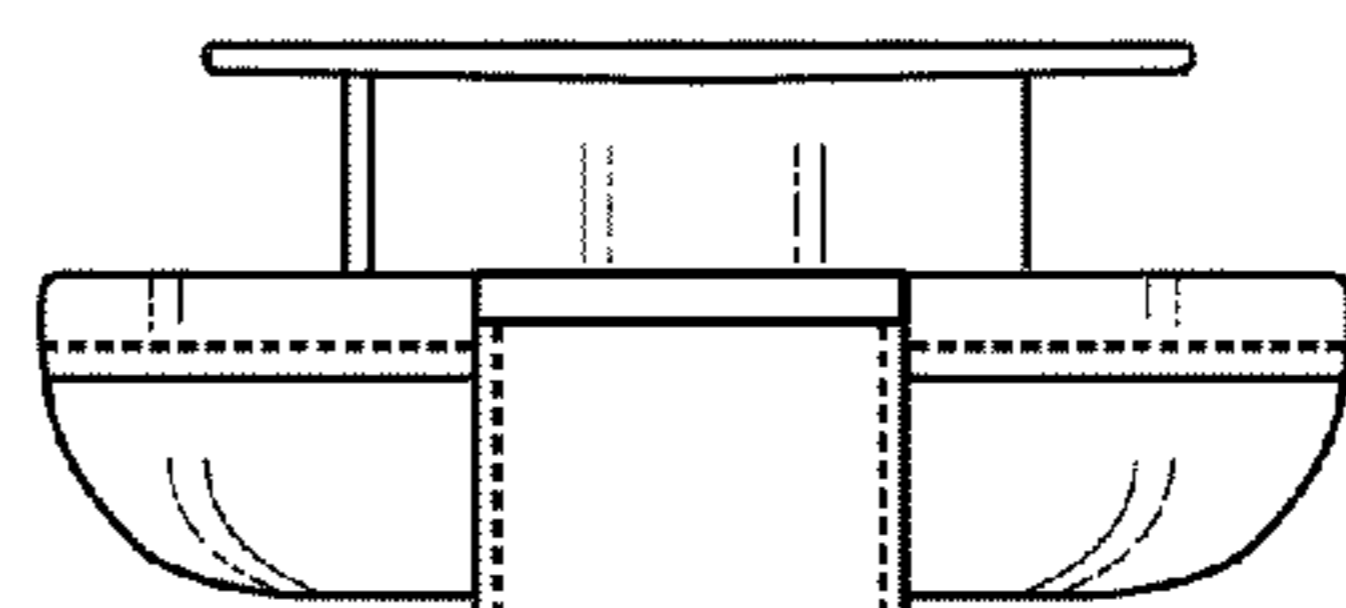


FIG. 6

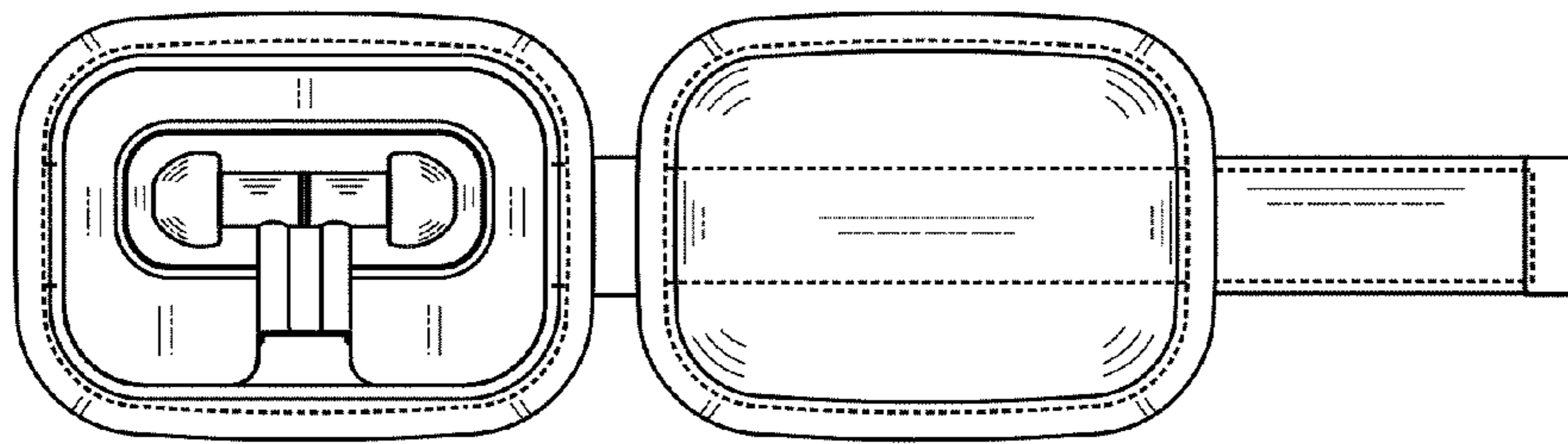


FIG. 7

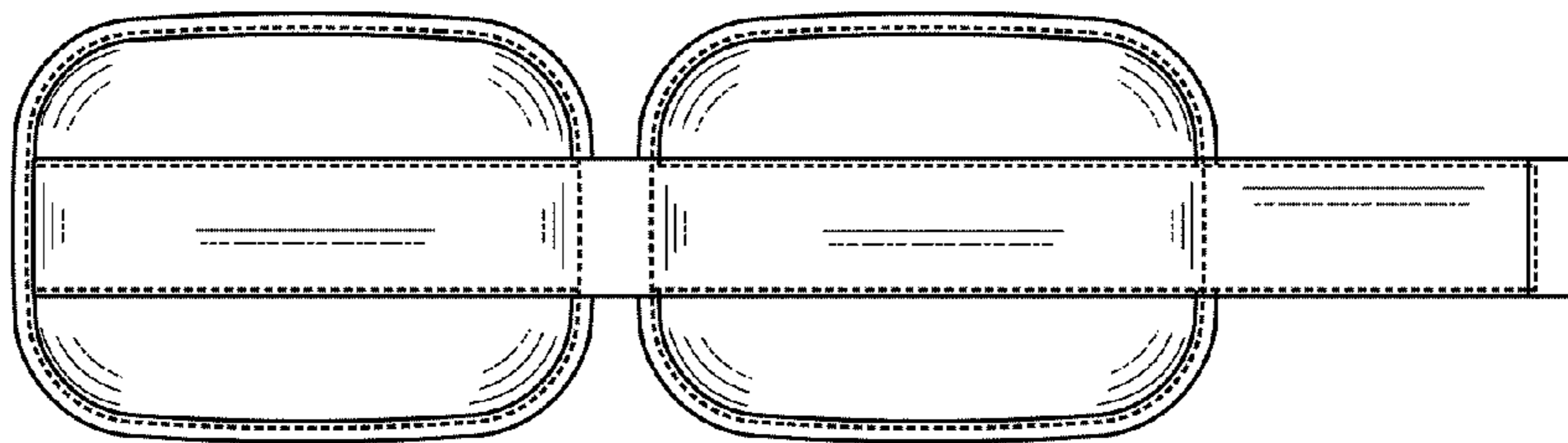


FIG. 8