



US00D658874S

(12) **United States Design Patent**
Jobert

(10) **Patent No.:** **US D658,874 S**

(45) **Date of Patent:** **** May 8, 2012**

(54) **WALLET**

(75) Inventor: **Couli Jobert**, Paris (FR)

(73) Assignee: **Hermes Sellier (Societe Par Actions Simplifree)**, Paris (FR)

(**) Term: **14 Years**

(21) Appl. No.: **29/384,695**

(22) Filed: **Feb. 2, 2011**

(30) **Foreign Application Priority Data**

Aug. 5, 2010 (WO) DM/074 188

(51) **LOC (9) Cl.** **03-01**

(52) **U.S. Cl.** **D3/247**

(58) **Field of Classification Search** D3/247-253;
150/130-132, 136-137
See application file for complete search history.

(56) **References Cited**

U.S. PATENT DOCUMENTS

844,337 A * 2/1907 Egloff 150/119
D572,468 S * 7/2008 Nair D3/232
D581,665 S * 12/2008 Gerbi D3/245

D613,502 S * 4/2010 Hardy D3/247
* cited by examiner

Primary Examiner — Holly Baynham

(74) *Attorney, Agent, or Firm* — Foley & Lardner LLP

(57) **CLAIM**

We claim the ornamental design for a wallet, as shown and described.

DESCRIPTION

FIG. 1 is a front side view of a wallet according to my new design;

FIG. 2 is a back side view of the wallet shown in FIG. 1;

FIG. 3 is a right side view of the wallet shown in FIG. 1;

FIG. 4 is a left side view of the wallet shown in FIG. 1;

FIG. 5 is a top side view of the wallet shown in FIG. 1;

FIG. 6 is a bottom side view of the wallet shown in FIG. 1;

FIG. 7 is a front perspective view of the wallet shown in FIG. 1;

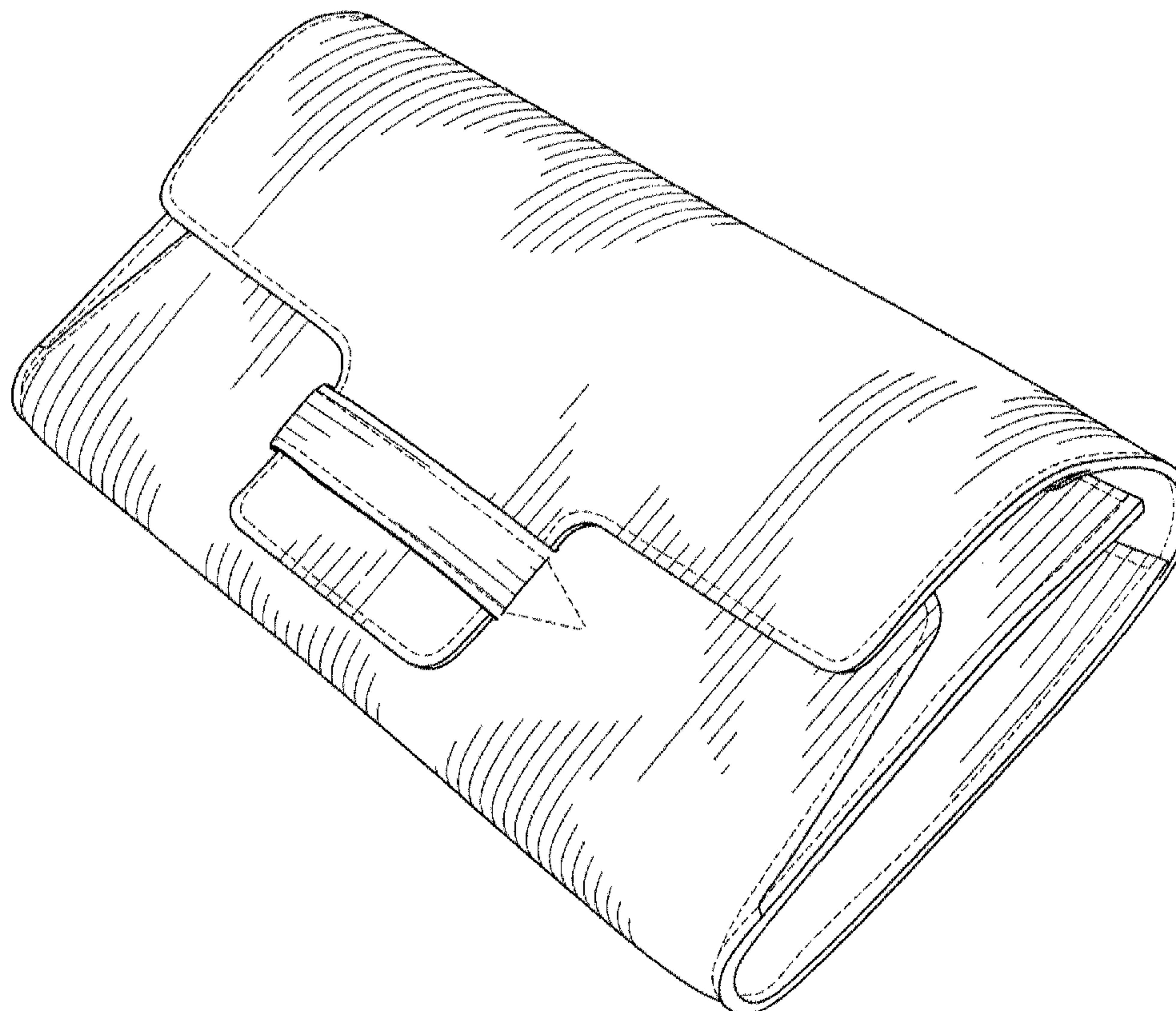
FIG. 8 is an alternate front perspective view of the wallet shown in FIG. 1; and,

FIG. 9 is an exploded front perspective view of the wallet shown in FIG. 1.

The ornamental design which is claimed is shown in solid lines in the drawings.

The broken lines representing stitching are part of the claimed design.

1 Claim, 9 Drawing Sheets



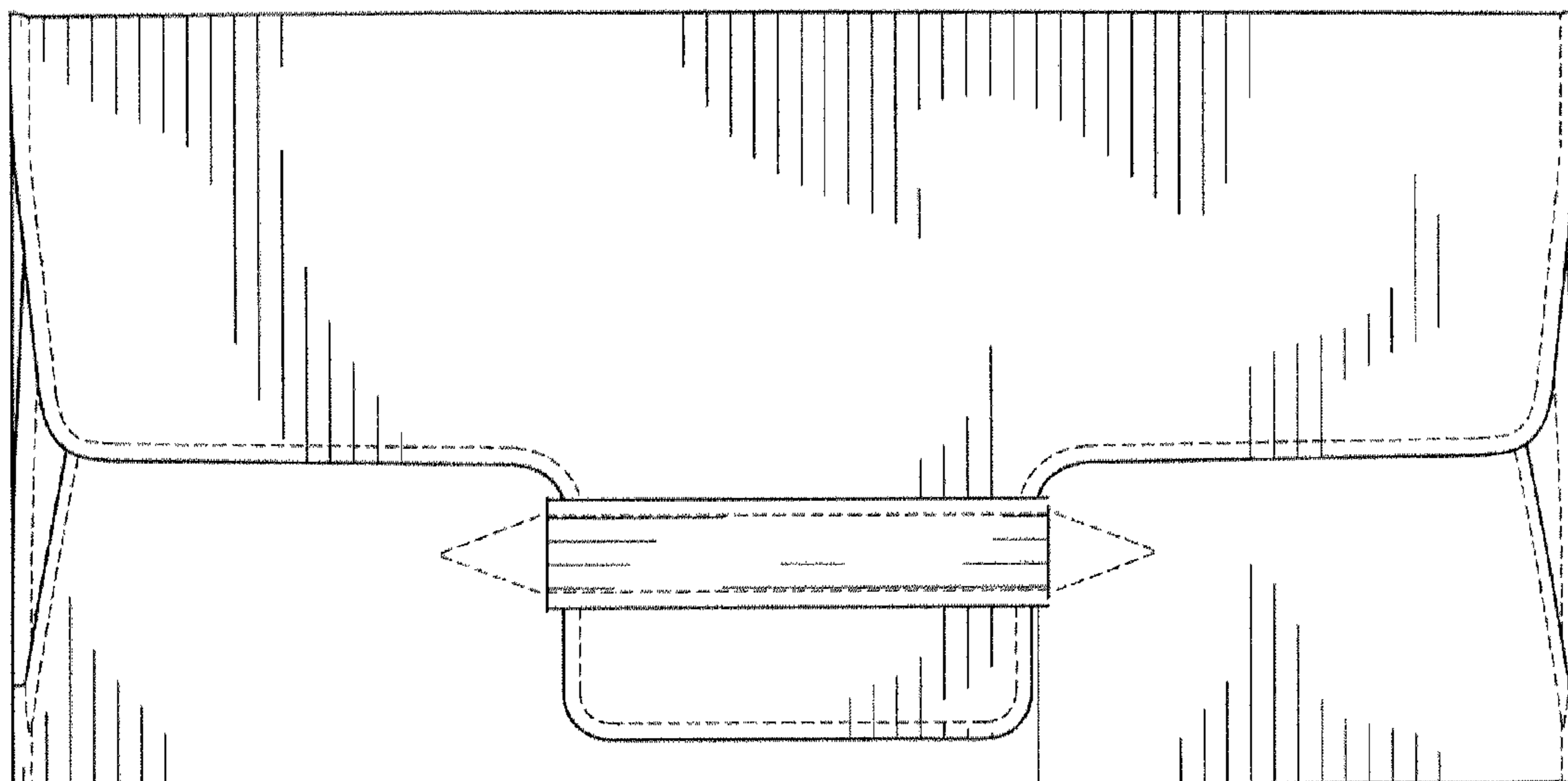


FIG. 1

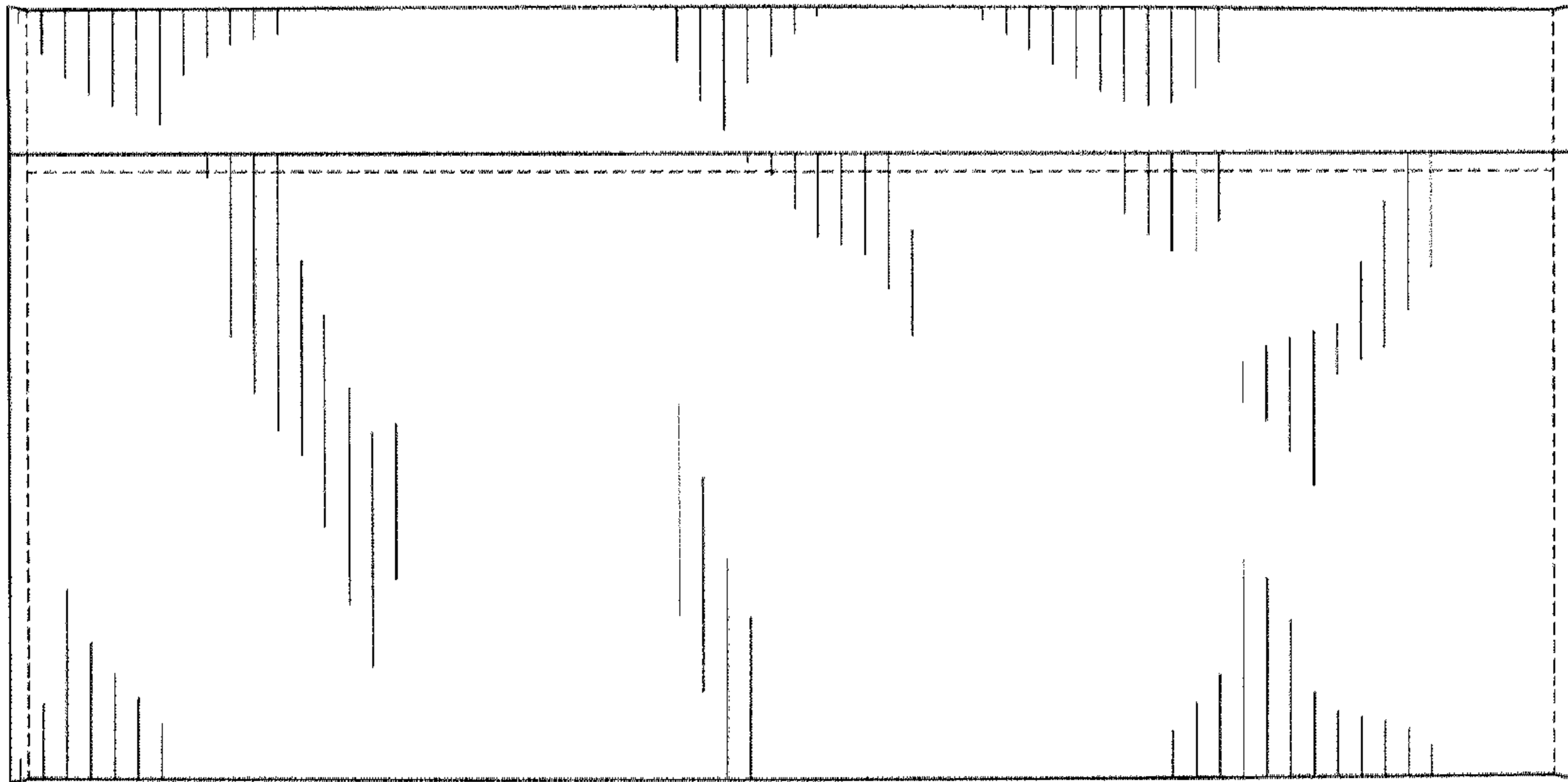


FIG. 2

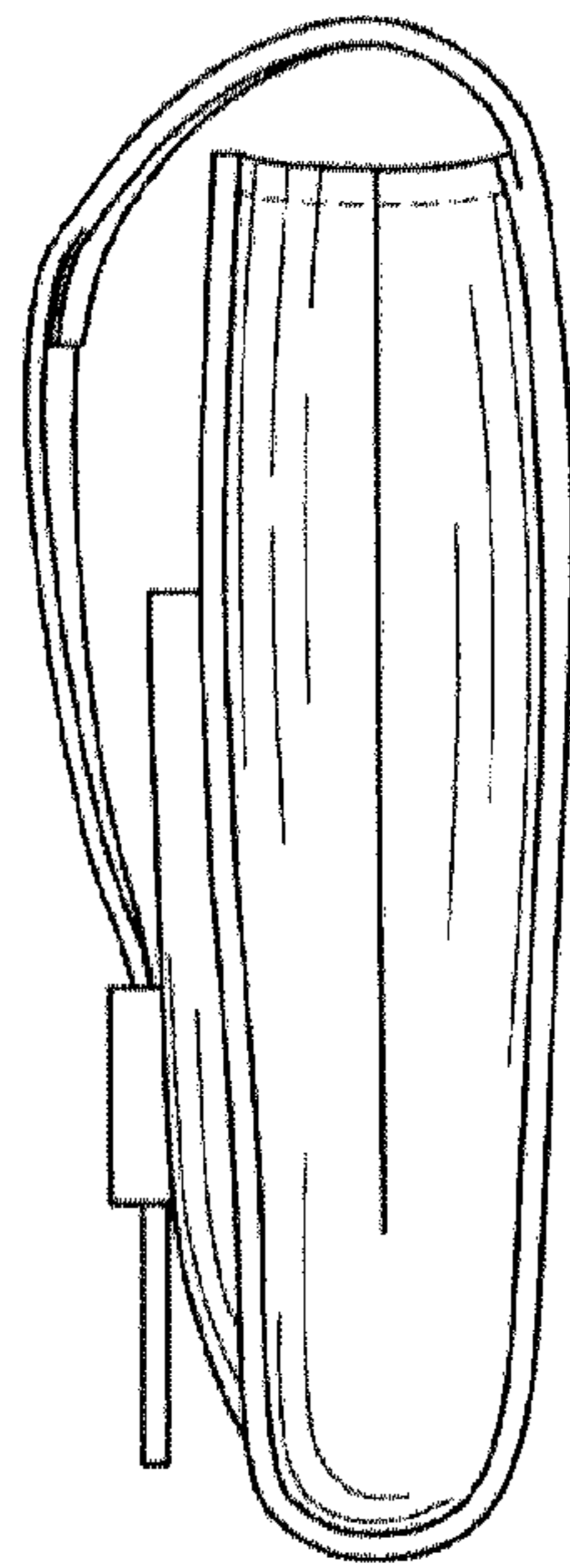


FIG. 3



FIG. 4

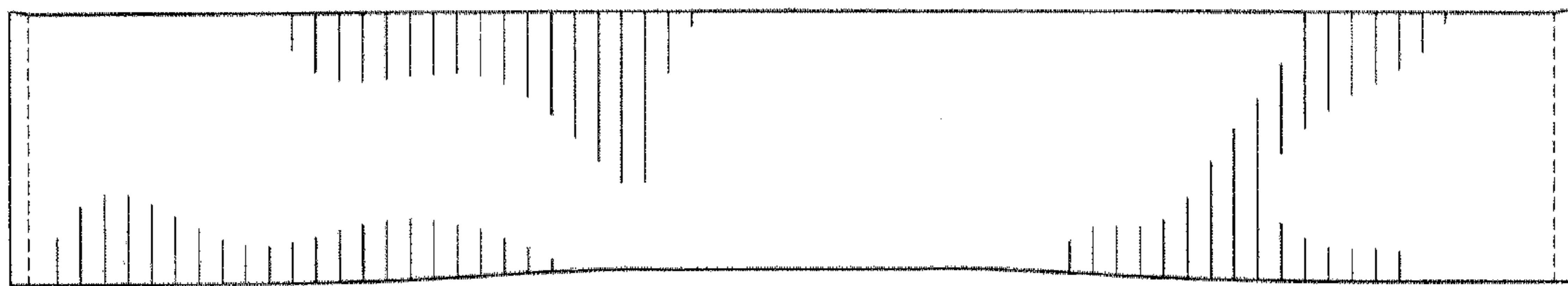


FIG. 5

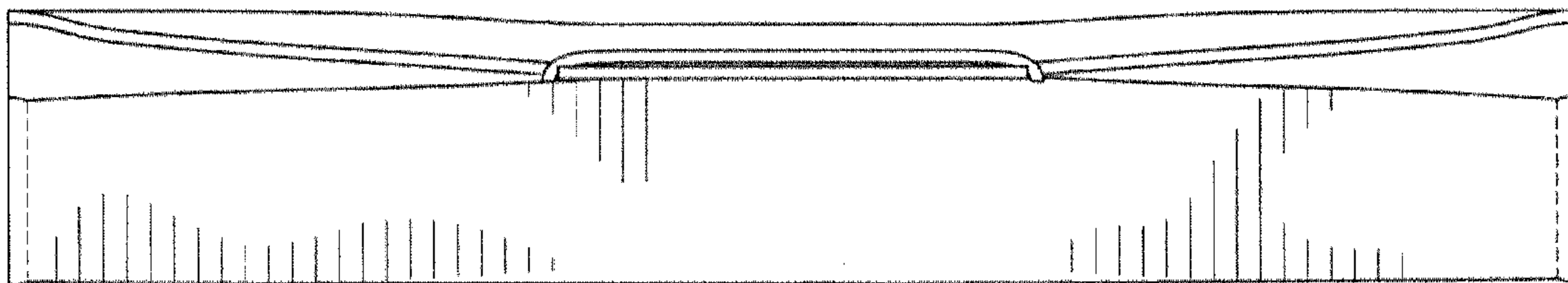


FIG. 6

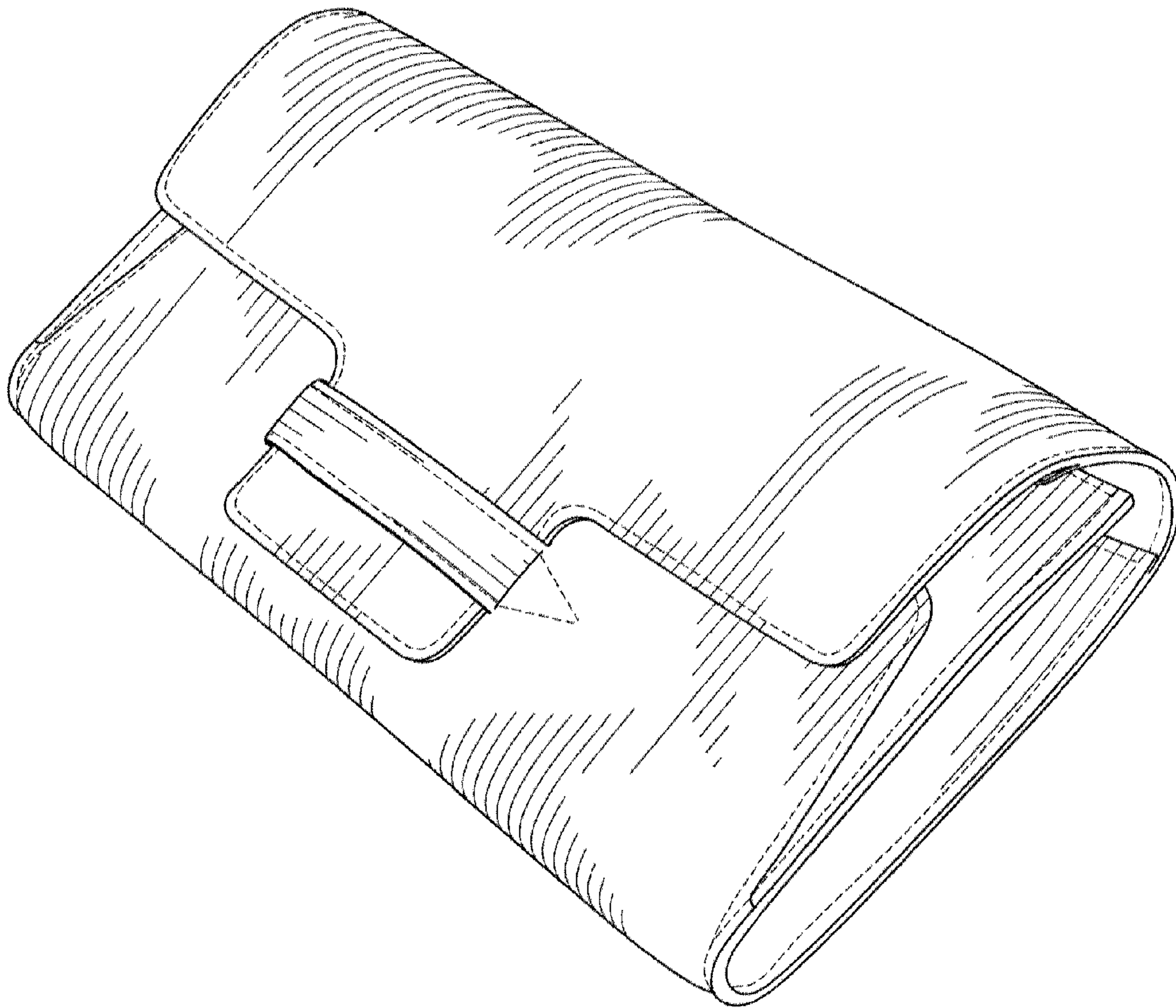


FIG. 7

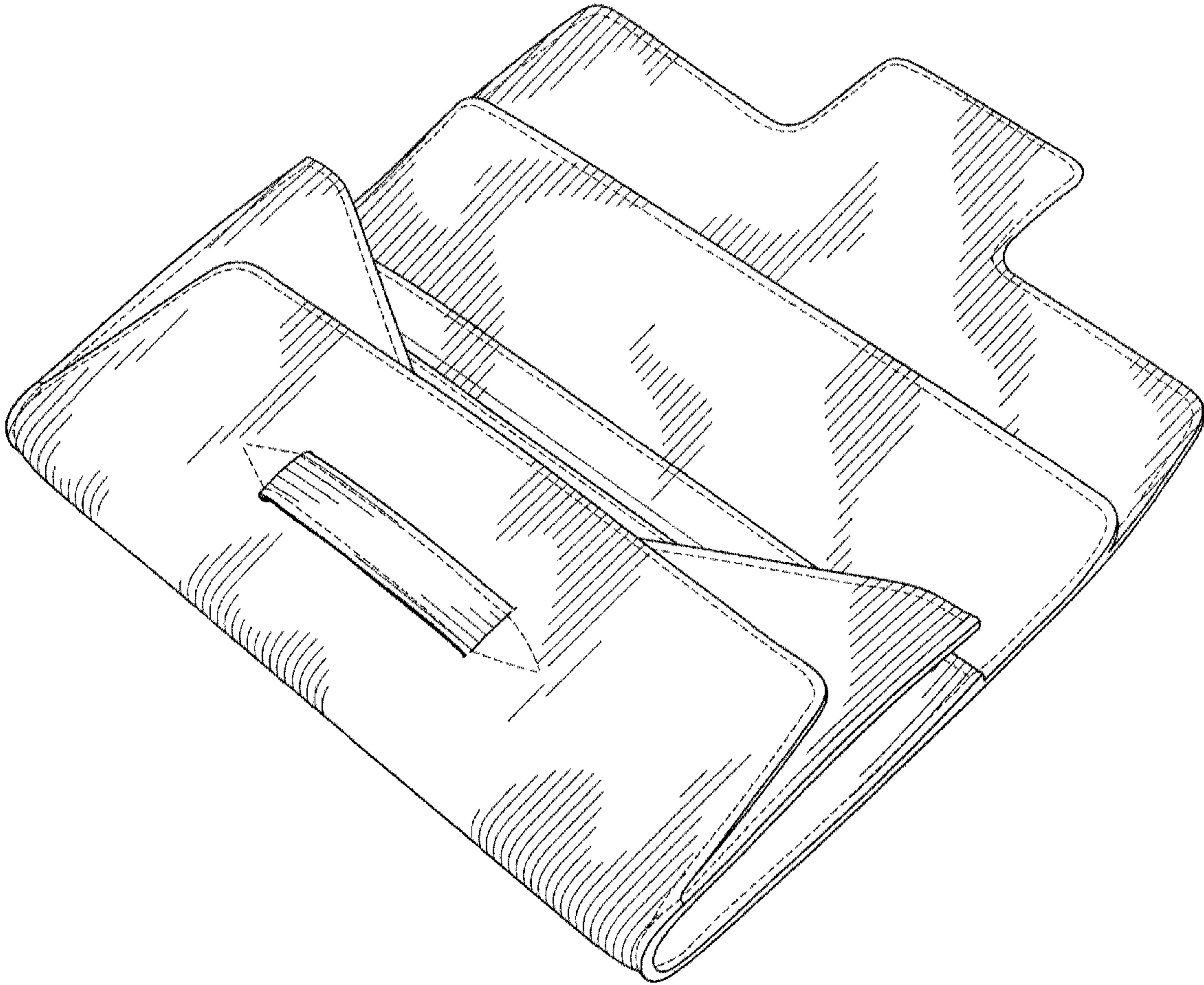


FIG. 8

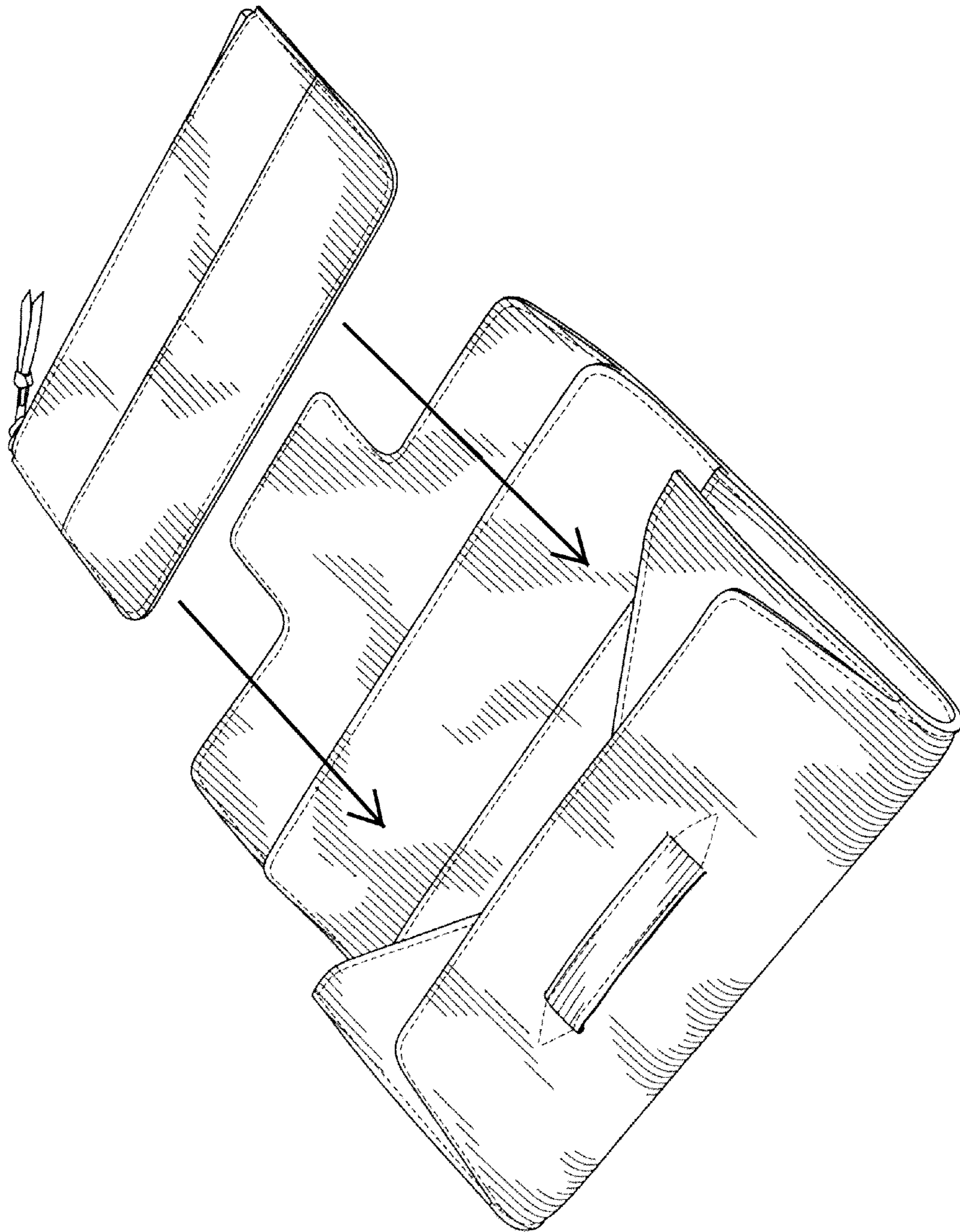


FIG. 9