



US00D658865S

(12) **United States Design Patent**  
**Stryjak et al.**

(10) **Patent No.:** **US D658,865 S**  
(45) **Date of Patent:** **\*\* May 8, 2012**

(54) **PORTION OF A SIDE OF A FOOTWEAR ARTICLE**

(75) Inventors: **Pascal Stryjak**, Saint-Eusebe (FR);  
**Warren Bosomworth**, Annecy-le-Vieux (FR)

(73) Assignee: **Salomon S.A.S.**, Metz Tessy (FR)

(\*\*) Term: **14 Years**

(21) Appl. No.: **29/380,796**

(22) Filed: **Dec. 10, 2010**

(30) **Foreign Application Priority Data**

Jun. 11, 2010 (WO) ..... DM/073 847

(51) **LOC (9) Cl.** ..... **02-99**

(52) **U.S. Cl.** ..... **D2/972**

(58) **Field of Classification Search** ..... D2/896,  
D2/902, 906-908, 923, 943, 944, 946, 969,  
D2/972-974; 36/45-49, 50.1, 77 M, 77 R,  
36/83, 88, 113, 114, 126-131  
See application file for complete search history.

(56) **References Cited**

**U.S. PATENT DOCUMENTS**

D225,093 S *	11/1972	Dassler	.....	D2/907
D329,935 S	10/1992	Barret	.....	D2/904
D360,747 S	8/1995	Autier	.....	D2/970
D404,542 S	1/1999	Donnadieu et al.	.....	D2/904
D404,543 S	1/1999	Donnadieu et al.	.....	D2/904
D413,427 S	9/1999	Fellouhe	.....	D2/969
D415,875 S	11/1999	Falguere	.....	D2/904
D425,693 S	5/2000	Fellouhe	.....	D2/970
D426,949 S	6/2000	Barret	.....	D2/970
D434,212 S	11/2000	LaBerge	.....	D2/972
D434,552 S	12/2000	Burt	.....	D2/972
D434,553 S	12/2000	Burt	.....	D2/972
D434,554 S	12/2000	Laberge	.....	D2/972
D434,894 S	12/2000	Burt	.....	D2/972

D434,895 S	12/2000	Laberge	.....	D2/972
D435,165 S	12/2000	Burt	.....	D2/972
D435,336 S	12/2000	Barret et al.	.....	132/972
D435,718 S	1/2001	Laberge	.....	D2/972
D436,433 S	1/2001	Laberge	.....	D2/972
D443,131 S *	6/2001	Laberge	.....	D2/972
D443,408 S *	6/2001	Laberge	.....	D2/972
D446,004 S	8/2001	Burt	.....	D2/973
D450,913 S	11/2001	Banik et al.	.....	D2/909
D451,267 S	12/2001	Laberge et al.	.....	D2/972
D451,268 S	12/2001	Laberge et al.	.....	D2/972
D451,269 S	12/2001	Burt	.....	D2/972
D452,068 S	12/2001	Laberge et al.	.....	D2/972
D452,368 S	12/2001	Chaigne	.....	D2/972
D452,607 S	1/2002	Sakai	.....	D2/969
D453,616 S	2/2002	Sakai	.....	D2/972
D455,251 S	4/2002	Sakai	.....	D2/969
D457,296 S	5/2002	Burt	.....	D2/969
D459,870 S	7/2002	St. Louis	.....	D2/973
D460,250 S	7/2002	Hillyer	.....	D2/972
D460,610 S	7/2002	Sakai	.....	D2/972
D464,479 S	10/2002	Banik	.....	D2/972
D465,909 S	11/2002	Ornerakis	.....	D2/970
D467,062 S	12/2002	Delgorgue et al.	.....	D2/972

(Continued)

*Primary Examiner* — Dominic Simone

(74) *Attorney, Agent, or Firm* — Terence P. O'Brien

(57) **CLAIM**

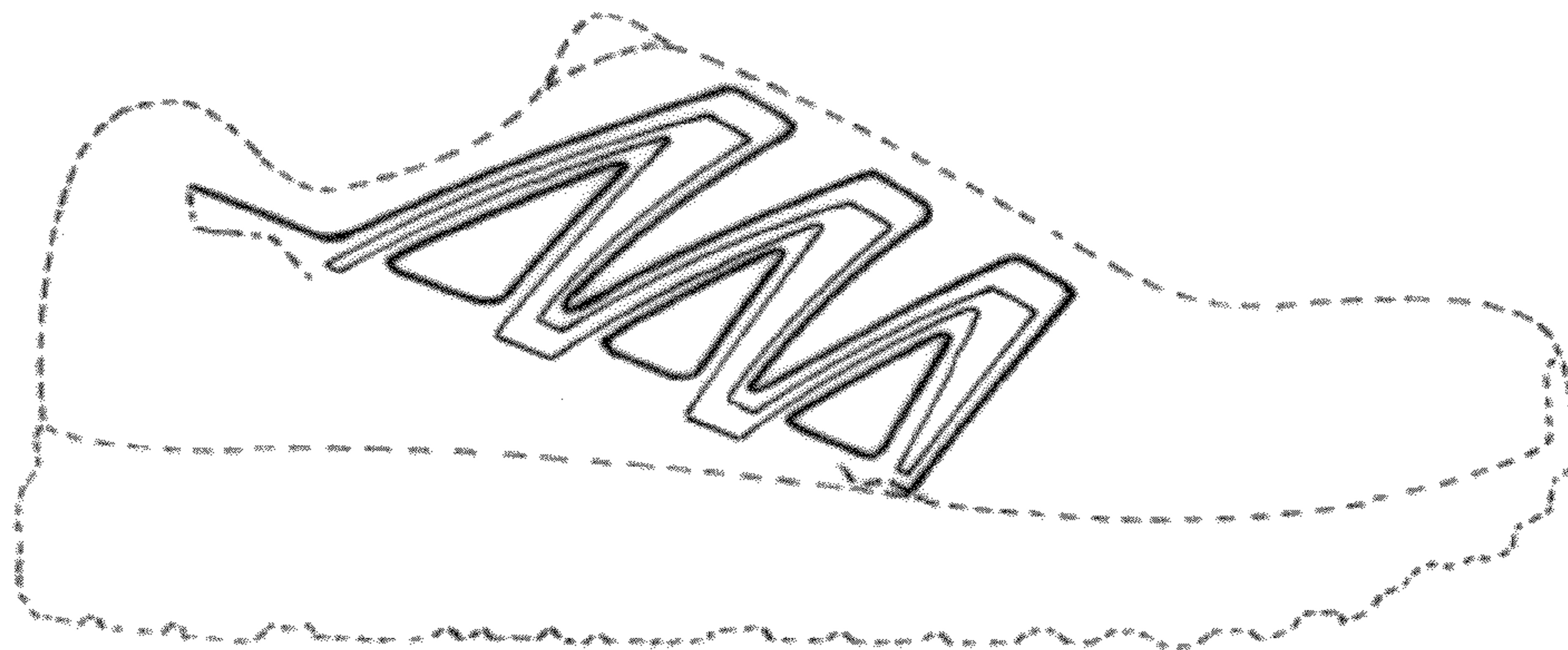
We claim the ornamental design for a portion of a side of a footwear article, as shown and described.

**DESCRIPTION**

FIG. 1 is a side, front perspective view of a portion of a side of a footwear article; and,  
FIG. 2 is a side elevation view of the portion of the side of the footwear article of FIG. 1.

The ornamental design that is claimed is shown in solid lines in the drawings. The broken lines shown in FIGS. 1 through 2 are included for the purpose of illustrating environmental elements only and form no part of the claimed design.

**1 Claim, 1 Drawing Sheet**





# US D658,865 S

## U.S. PATENT DOCUMENTS

D467,064 S	12/2002	Hillyer .....	D2/973	D570,591 S	6/2008	Farys et al. ....	D2/972
D467,724 S	12/2002	Hillyer .....	D2/973	D574,602 S	8/2008	Grenet .....	D2/977
D471,700 S	3/2003	Banik .....	D2/969	D575,500 S	8/2008	Laberge .....	D2/972
D472,040 S	3/2003	Koo .....	D2/972	D575,501 S	8/2008	Amphyon .....	D2/972
D473,698 S	4/2003	St-Louis .....	D2/957	D576,399 S	9/2008	Grenet et al. ....	D2/972
D475,189 S	6/2003	Laberge et al. ....	D2/972	D576,400 S	9/2008	Grenet et al. ....	D2/972
D475,515 S	6/2003	St-Louis .....	D2/972	D576,401 S	9/2008	Grenet .....	D2/972
D475,516 S	6/2003	Laberge .....	D2/972	D580,155 S	* 11/2008	Banik .....	D2/969
D475,517 S	6/2003	St-Louis .....	D2/972	D587,445 S	* 3/2009	Amphyon .....	D2/972
D479,391 S	9/2003	Hillyer .....	D2/972	D588,350 S	* 3/2009	Amphyon et al. ....	D2/972
D479,392 S	9/2003	Hillyer .....	D2/972	D593,305 S	* 6/2009	St-Louis et al. ....	D2/969
D479,644 S	9/2003	Sakai .....	D2/972	D594,636 S	6/2009	Del Biondi et al. ....	D2/896
D481,530 S	11/2003	Hillyer .....	D2/972	D594,639 S	6/2009	Alfaro .....	D2/960
D482,515 S	11/2003	St-Louis .....	D2/972	D604,488 S	11/2009	Amphyon .....	D2/953
D482,858 S	12/2003	Hillyer .....	D2/972	D604,939 S	12/2009	Grenet .....	D2/972
D482,859 S	12/2003	Laberge .....	D2/972	D605,845 S	12/2009	Grenet .....	D2/972
D482,861 S	12/2003	St-Louis .....	D2/972	D605,846 S	12/2009	Amphyon .....	D2/972
D483,938 S	* 12/2003	Laberge .....	D2/973	D606,294 S	12/2009	Grenet .....	D2/972
D485,428 S	1/2004	Koo .....	D2/972	D609,446 S	2/2010	Leleu .....	D2/970
D485,429 S	1/2004	Koo .....	D2/972	D611,688 S	3/2010	Grenet .....	D2/946
D485,669 S	1/2004	Koo .....	D2/972	D612,135 S	3/2010	Borel et al. ....	D2/947
D485,670 S	1/2004	Laberge .....	D2/972	D612,143 S	3/2010	Amphyon .....	D2/972
D486,301 S	2/2004	Koo .....	D2/973	D612,144 S	3/2010	Bosomworth .....	D2/972
D487,339 S	3/2004	Laberge .....	D2/972	D612,145 S	3/2010	Bosomworth .....	D2/972
D488,917 S	4/2004	Koo .....	D2/972	D613,053 S	4/2010	Richard et al. ....	D2/972
D489,168 S	* 5/2004	Laberge .....	D2/972	D614,382 S	4/2010	Grenet et al. ....	D2/952
D493,955 S	8/2004	Gay .....	D2/972	D621,597 S	8/2010	Grenet .....	D2/972
D494,350 S	8/2004	Hillyer .....	D2/972	D621,598 S	8/2010	Leleu .....	D2/972
D502,310 S	3/2005	Tresser .....	D2/972	D622,041 S	8/2010	Richard .....	D2/953
D507,402 S	7/2005	Laberge .....	D2/972	D622,049 S	8/2010	Amphyon .....	D2/972
D509,348 S	9/2005	Brewer .....	D2/972	D622,050 S	8/2010	Amphyon .....	D2/972
D513,666 S	1/2006	Bertholon .....	D2/977	D622,051 S	8/2010	Leleu .....	D2/972
D513,847 S	1/2006	Laberge .....	D2/972	D622,052 S	8/2010	Grenet .....	D2/972
D515,796 S	* 2/2006	Reardon .....	D2/969	D622,053 S	8/2010	Grenet .....	D2/972
D515,799 S	2/2006	Bertholon .....	D2/972	D622,054 S	* 8/2010	Bosomworth .....	D2/972
D515,800 S	* 2/2006	Bertholon .....	D2/972	D622,055 S	8/2010	Bosomworth .....	D2/972
D516,790 S	3/2006	Stryjak et al. ....	D2/969	D622,056 S	8/2010	Fuhrer .....	D2/972
D516,795 S	3/2006	Tresser .....	D2/972	D622,493 S	8/2010	Leleu .....	D2/972
D516,796 S	3/2006	Delgorgue et al. ....	D2/972	D623,391 S	9/2010	Leleu .....	D2/972
D517,301 S	3/2006	Stryjak et al. ....	D2/969	D623,392 S	9/2010	Grenet .....	D2/972
D517,303 S	3/2006	Laberge .....	D2/969	D623,839 S	9/2010	Leleu .....	D2/972
D522,727 S	* 6/2006	Chen .....	D2/972	D629,190 S	12/2010	Bosomworth .....	D2/972
D527,173 S	8/2006	Stryjak .....	D2/972	D629,599 S	12/2010	Bosomworth .....	D2/972
D528,771 S	* 9/2006	Lupo .....	D2/972	D632,475 S	2/2011	Richard .....	D2/972
D541,517 S	5/2007	Laberge .....	D2/972	D633,284 S	3/2011	Opie .....	D2/908
D545,040 S	6/2007	Laberge .....	D2/972	D634,533 S	3/2011	Leleu .....	D2/972
D548,942 S	8/2007	Stryjak .....	D2/970	D641,966 S	7/2011	Fuhrer .....	D2/972
D551,438 S	* 9/2007	Laberge .....	D2/972	D642,365 S	8/2011	Grenet .....	D2/972
D551,838 S	* 10/2007	Brewer .....	D2/972	D642,366 S	8/2011	Fuhrer .....	D2/972
D551,839 S	10/2007	Bertholon .....	D2/972	D642,367 S	8/2011	Fuhrer .....	D2/972
D552,339 S	10/2007	Gay .....	D2/972	D643,199 S	8/2011	Fuhrer .....	D2/972
D559,509 S	1/2008	Hayes .....	D2/954	D644,019 S	* 8/2011	Grenet .....	D2/972
D560,902 S	2/2008	Gay .....	D2/972	D644,824 S	9/2011	Leleu .....	D2/946

\* cited by examiner

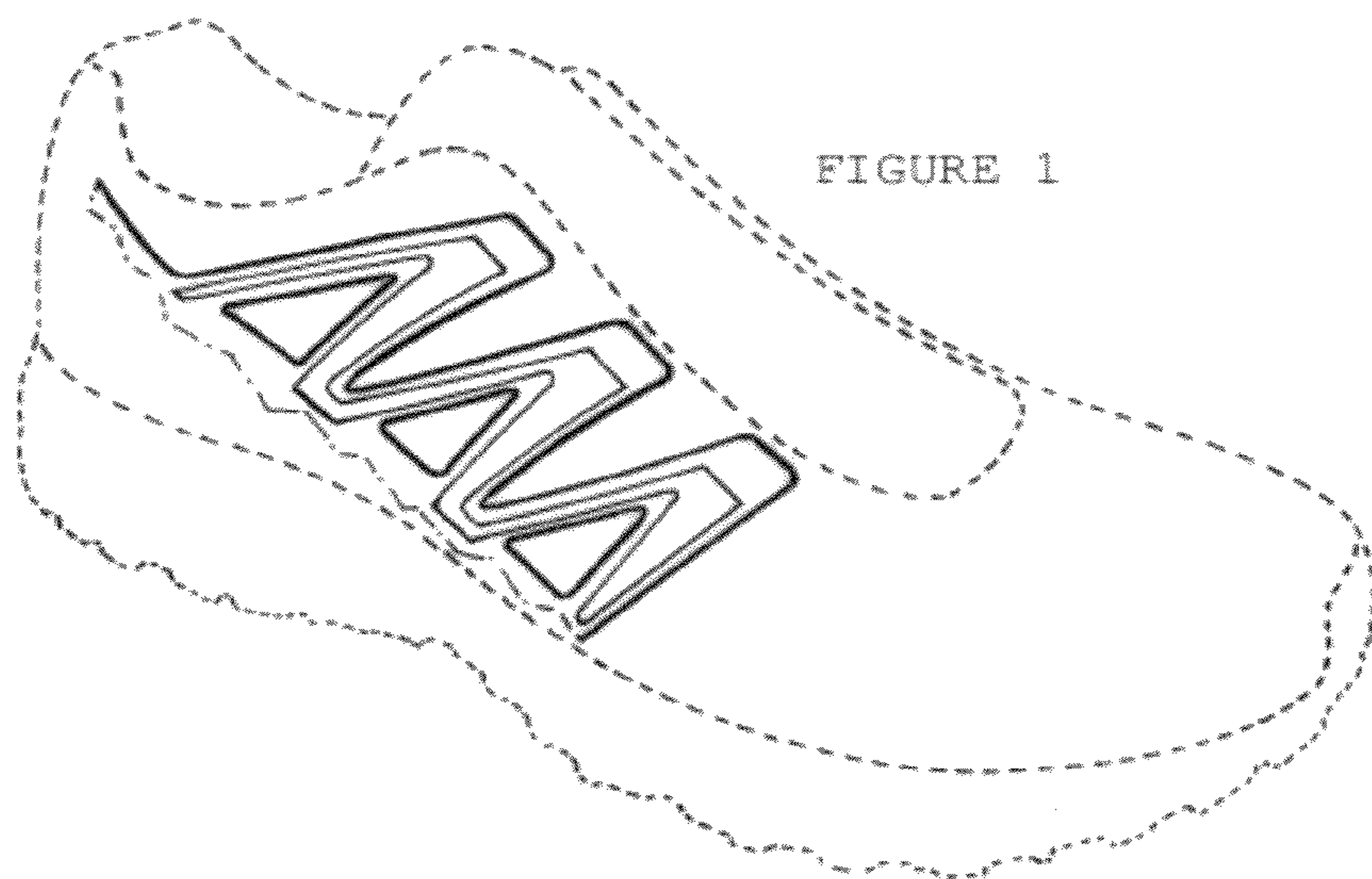


FIGURE 1

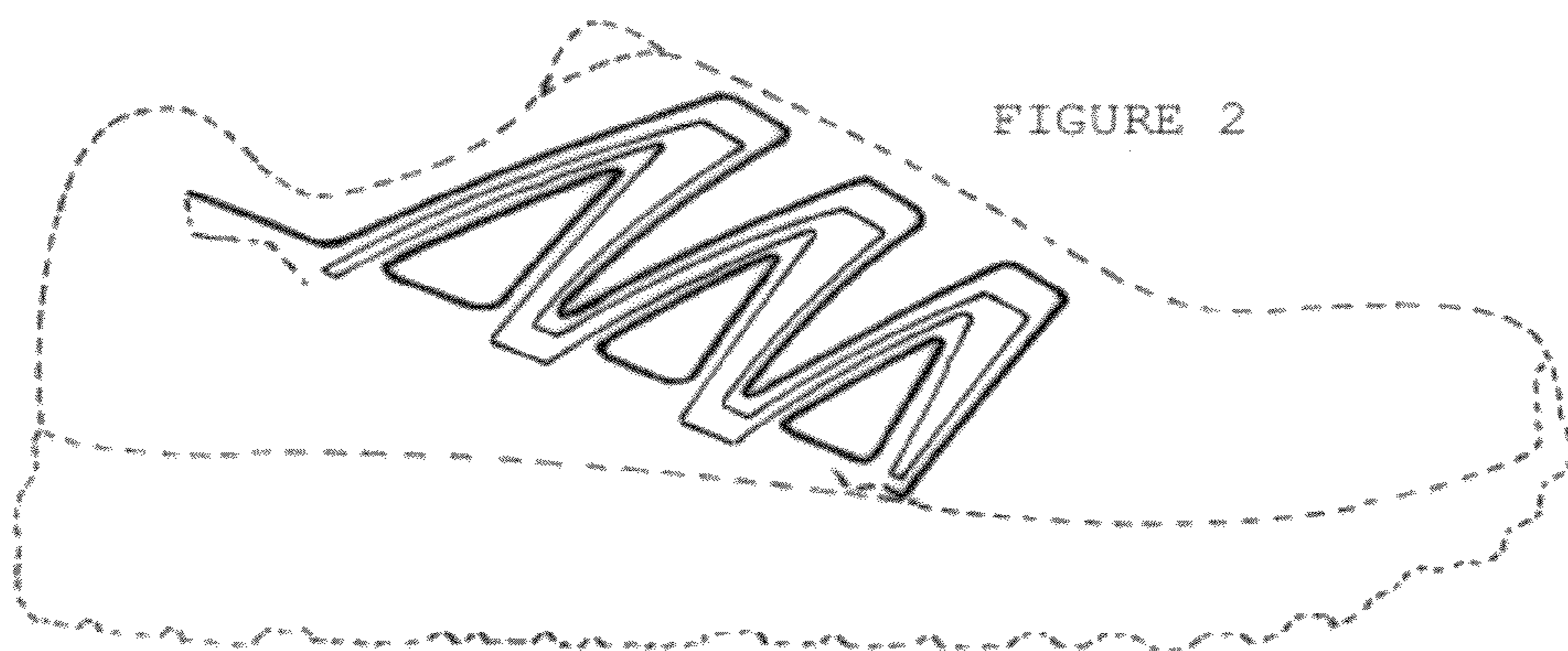


FIGURE 2