



US00D658854S

(12) **United States Design Patent**  
**Cobb**

(10) **Patent No.:** **US D658,854 S**  
(45) **Date of Patent:** **\*\* May 8, 2012**

(54) **VENTILATED HAT**

(76) Inventor: **John E. Cobb**, Tyler, TX (US)

(\*\*) Term: **14 Years**

(21) Appl. No.: **29/400,678**

(22) Filed: **Aug. 31, 2011**

(51) **LOC (9) Cl.** ..... **02-03**

(52) **U.S. Cl.** ..... **D2/882**

(58) **Field of Classification Search** ..... D2/865,  
D2/866, 875, 876, 877, 878, 879, 880, 881,  
D2/882, 884, 886, 887, 891, 893; D29/102,  
D29/103, 104, 105, 106, 107; 2/171, 171.1,  
2/171.2, 175.1, 175.2, 175.3, 175.4, 175.5,  
2/182.1, 183, 184, 195.1, 195.2, 195.3, 195.4,  
2/209.11, 209.12, 209.13

See application file for complete search history.

(56) **References Cited**

U.S. PATENT DOCUMENTS

1,748,375	A *	2/1930	Wittcoff	.....	2/182.1
D141,255	S *	5/1945	Dannenberg	.....	D2/866
D141,256	S *	5/1945	Dannenberg	.....	D29/105
D142,162	S *	8/1945	Dannenberg	.....	D2/865
2,447,850	A *	8/1948	Feldman	.....	2/195.2
D160,404	S *	10/1950	Levine	.....	D2/866
D162,965	S *	4/1951	Krieger	.....	D2/872
2,869,137	A *	1/1959	Scherz	.....	2/195.4
2,874,387	A *	2/1959	Bannister et al.	.....	2/195.1
D297,584	S *	9/1988	Lenox et al.	.....	D2/866
D336,969	S *	7/1993	Mullendore et al.	.....	D2/866
D352,379	S *	11/1994	Pierce, Jr.	.....	D2/882
5,359,734	A *	11/1994	Rathburn	.....	2/195.1
D386,888	S *	12/1997	Grant	.....	D2/865
6,018,821	A *	2/2000	Adams	.....	2/209.11

6,125,474	A *	10/2000	Gillette	.....	2/171.2
6,209,139	B1 *	4/2001	Schmidt et al.	.....	2/171.1
D442,354	S *	5/2001	Travis	.....	D2/882
D469,947	S *	2/2003	Park	.....	D2/882
D480,539	S *	10/2003	Yan	.....	D2/882
6,647,553	B2 *	11/2003	Hoyez	.....	2/209.12
D491,714	S *	6/2004	Upcott	.....	D2/875

(Continued)

FOREIGN PATENT DOCUMENTS

KR 300565238.0000 \* 6/2010

*Primary Examiner* — Karen E Eldridge Powers

(57) **CLAIM**

The ornamental design for a ventilated hat, as shown and described.

**DESCRIPTION**

FIG. 1 is a perspective view of a hat showing an embodiment of my new design;

FIG. 2 is a front elevational view of the embodiment in FIG. 1;

FIG. 3 is a rear elevational view of the embodiment in FIG. 1;

FIG. 4 is a side elevational view of the embodiment in FIG. 1;

FIG. 5 is a top plan view of the embodiment in FIG. 1;

FIG. 6 is a bottom plan view of the embodiment in FIG. 1;

FIG. 7 is a perspective view of a hat showing an alternate embodiment of my new design;

FIG. 8 is a front elevational view of the embodiment in FIG. 7;

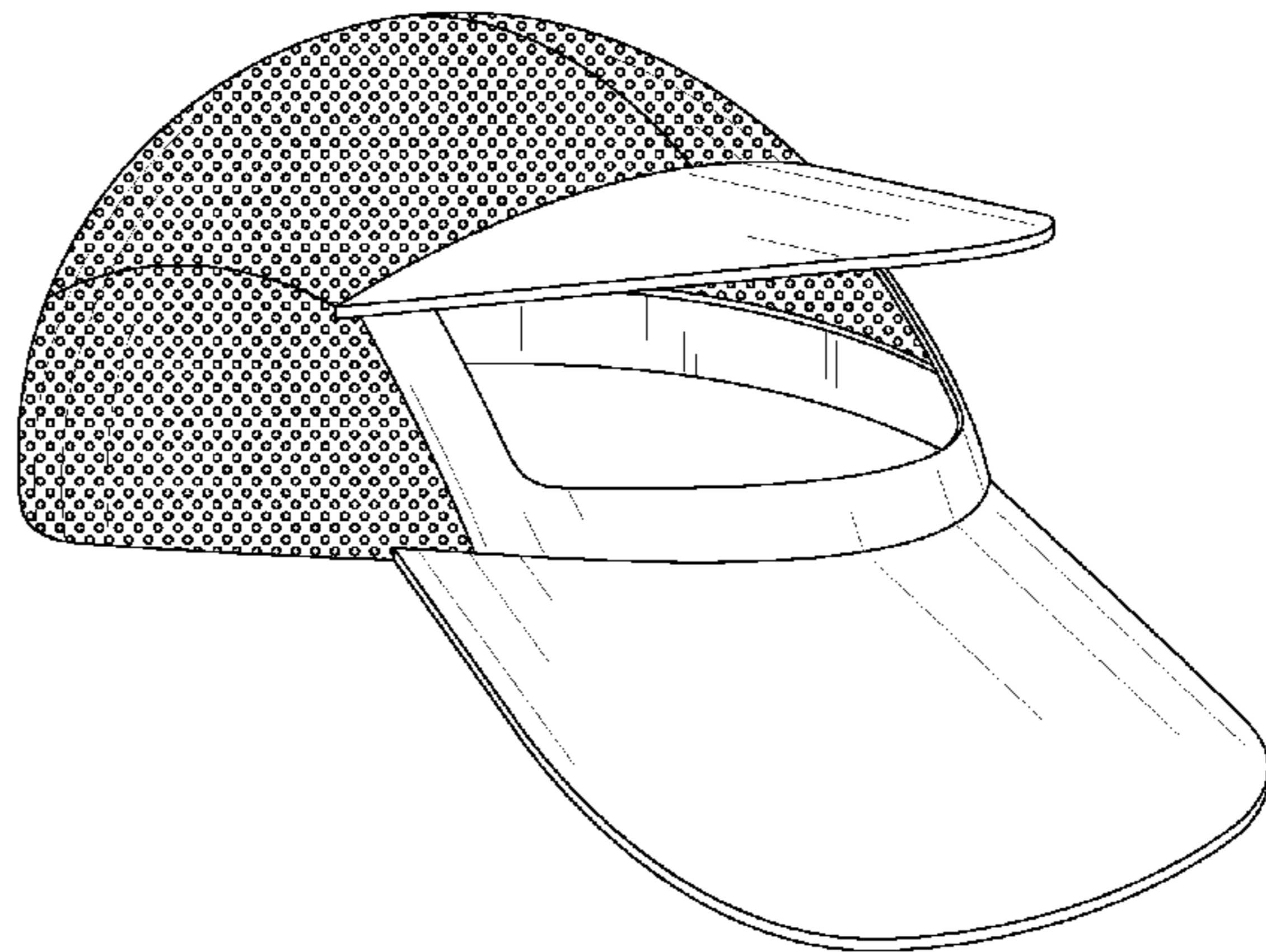
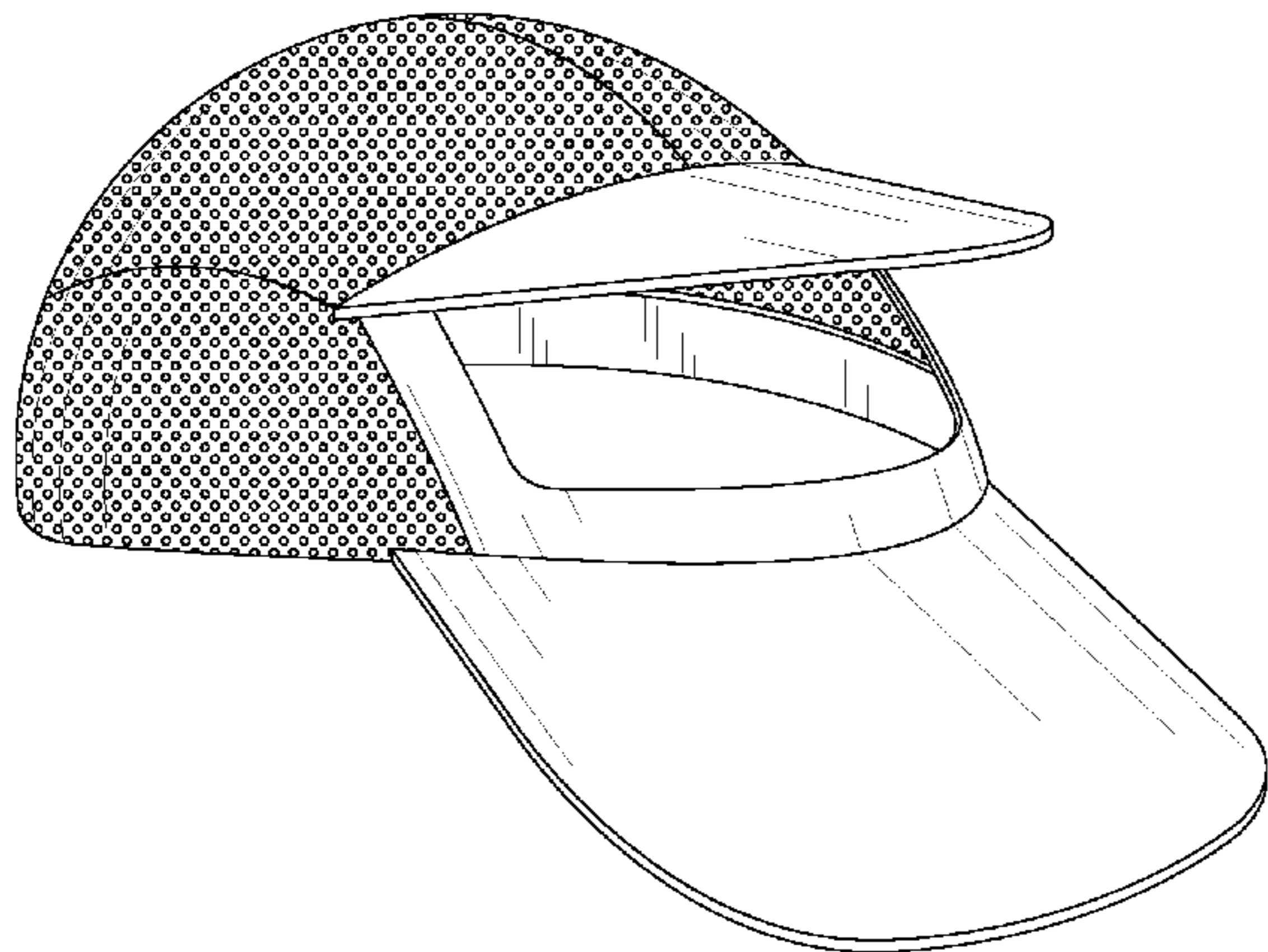
FIG. 9 is a rear elevational view of the embodiment in FIG. 7;

FIG. 10 is a side elevational view of the embodiment in FIG. 7;

FIG. 11 is a top plan view of the embodiment in FIG. 7; and,

FIG. 12 is a bottom plan view of the embodiment in FIG. 7.

**1 Claim, 8 Drawing Sheets**



# US D658,854 S

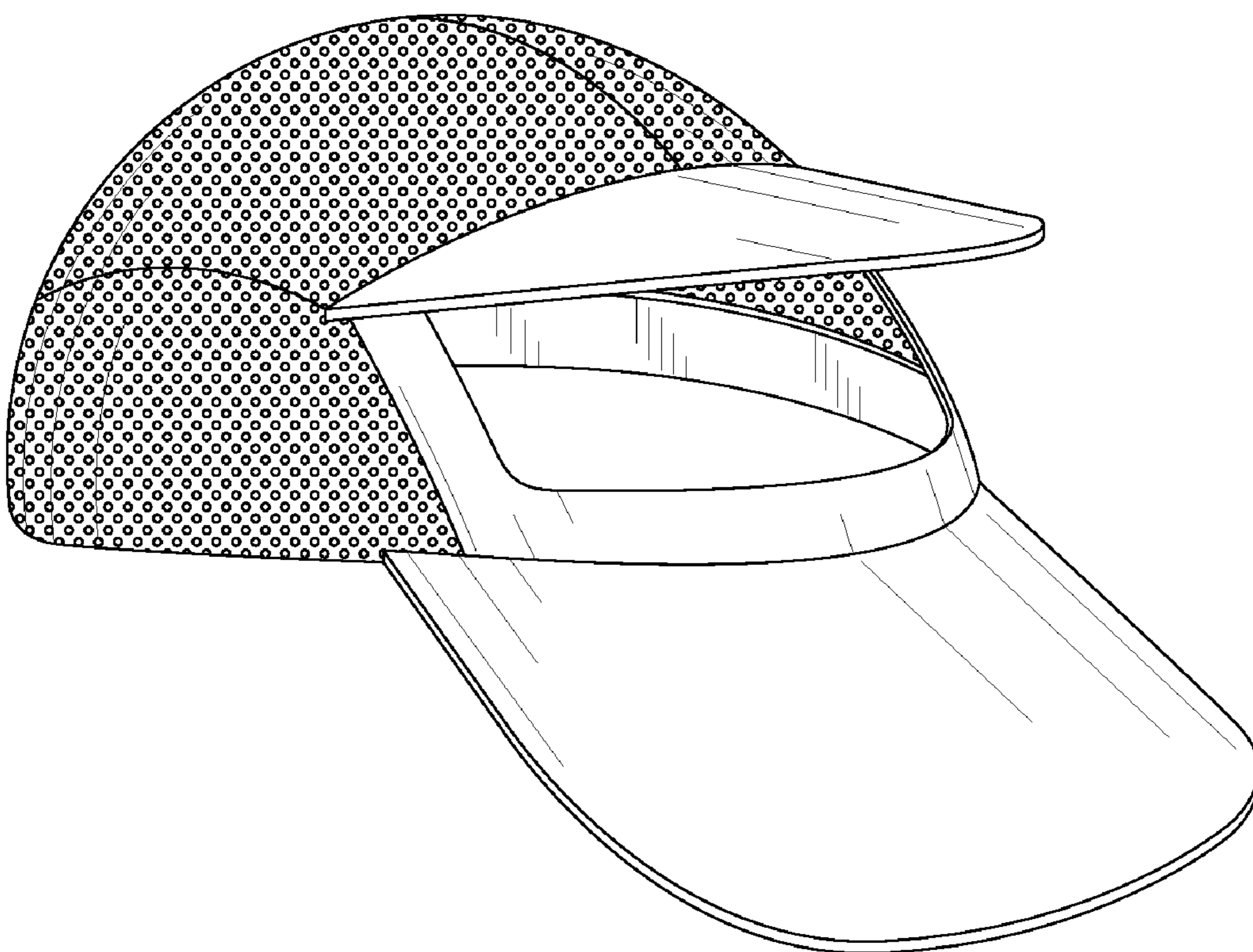
Page 2

---

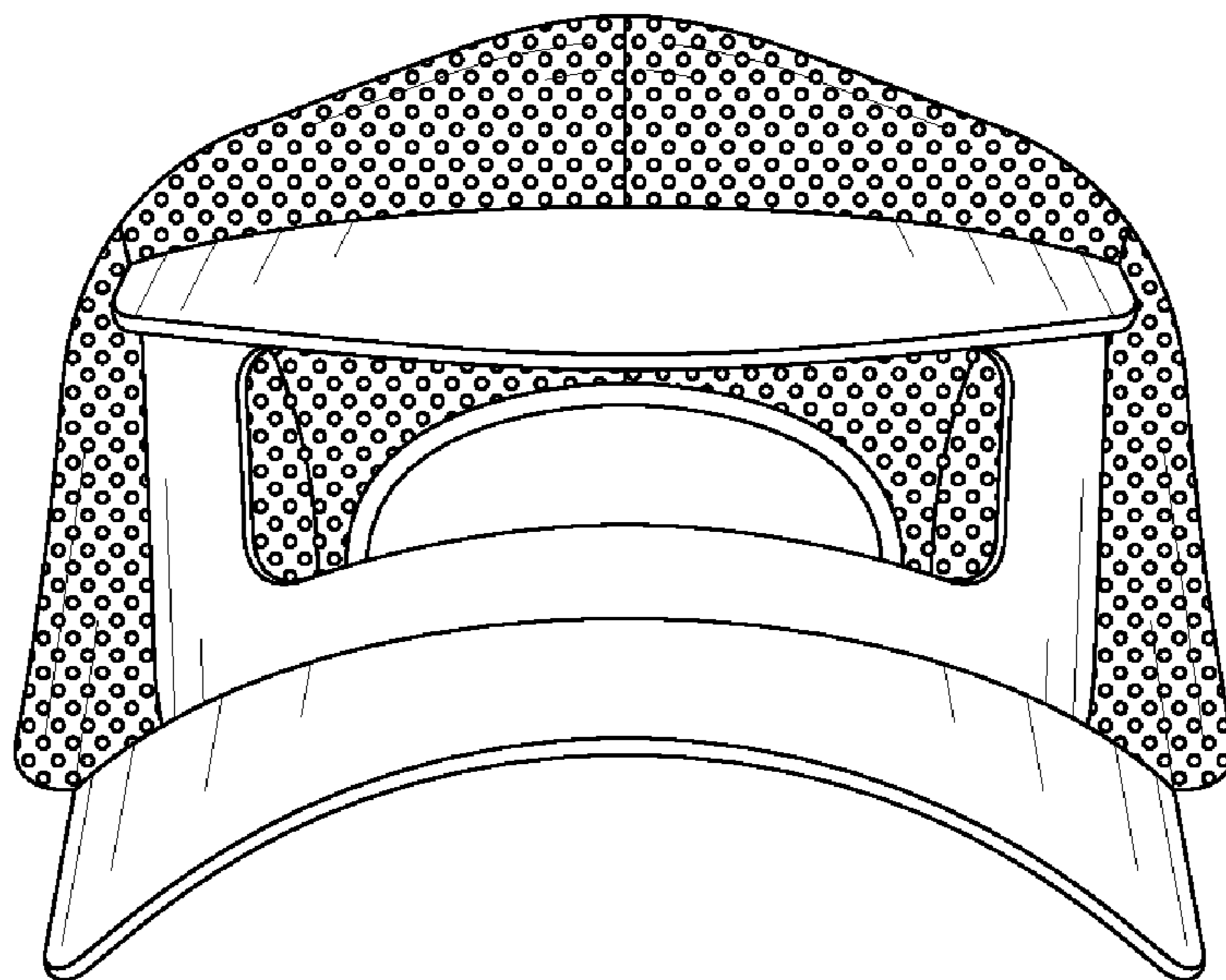
## U.S. PATENT DOCUMENTS

D501,290	S *	2/2005	Zuloff .....	D2/866	7,490,364	B2 *	2/2009	Kim .....	2/209.13
D517,285	S *	3/2006	Williams, Jr. ....	D2/872	D614,380	S *	4/2010	Lam et al. ....	D2/882
7,174,573	B1 *	2/2007	Chen et al. ....	2/209.5	2007/0130670	A1 *	6/2007	Henf .....	2/195.1
7,441,281	B2 *	10/2008	Salem .....	2/115					

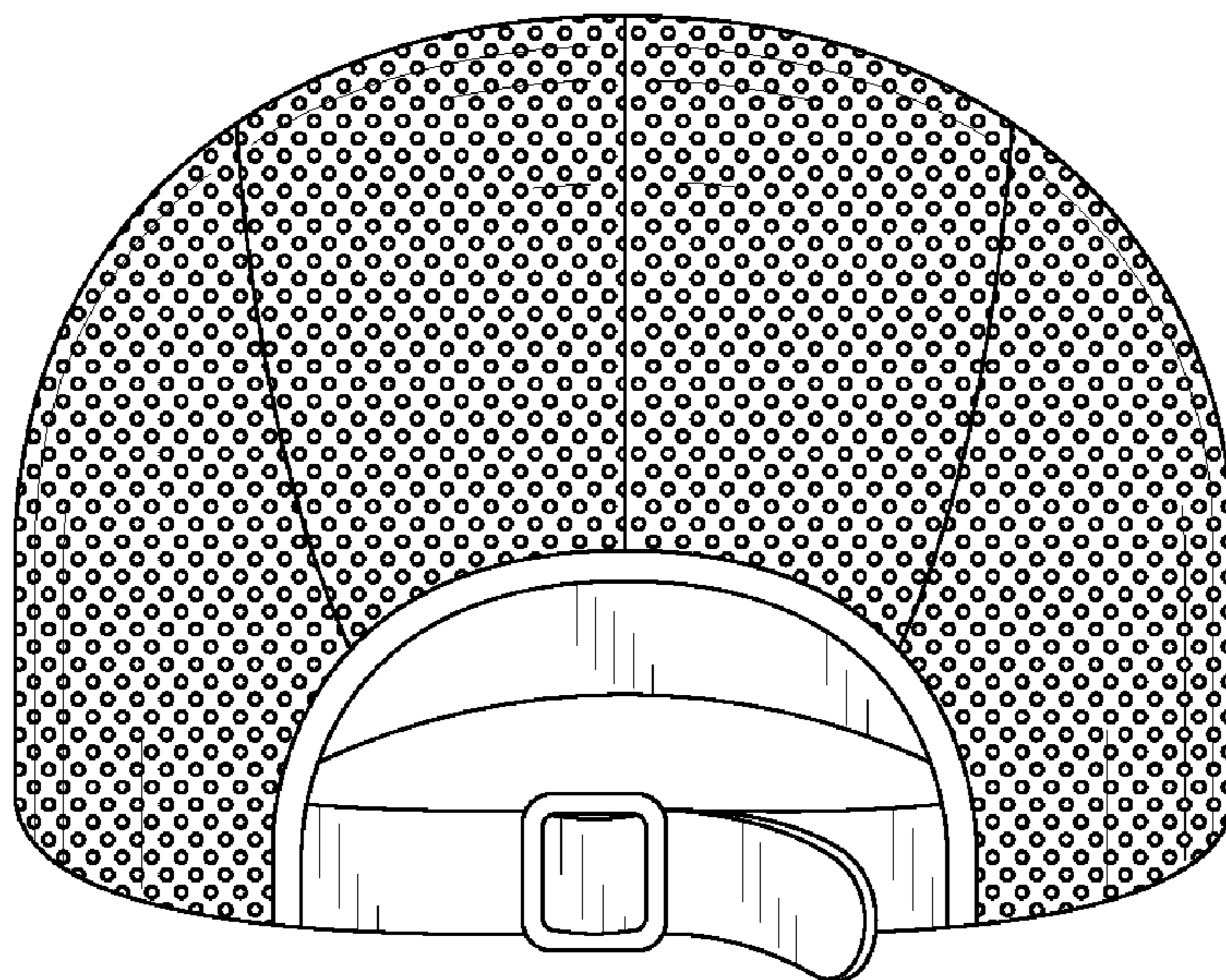
\* cited by examiner



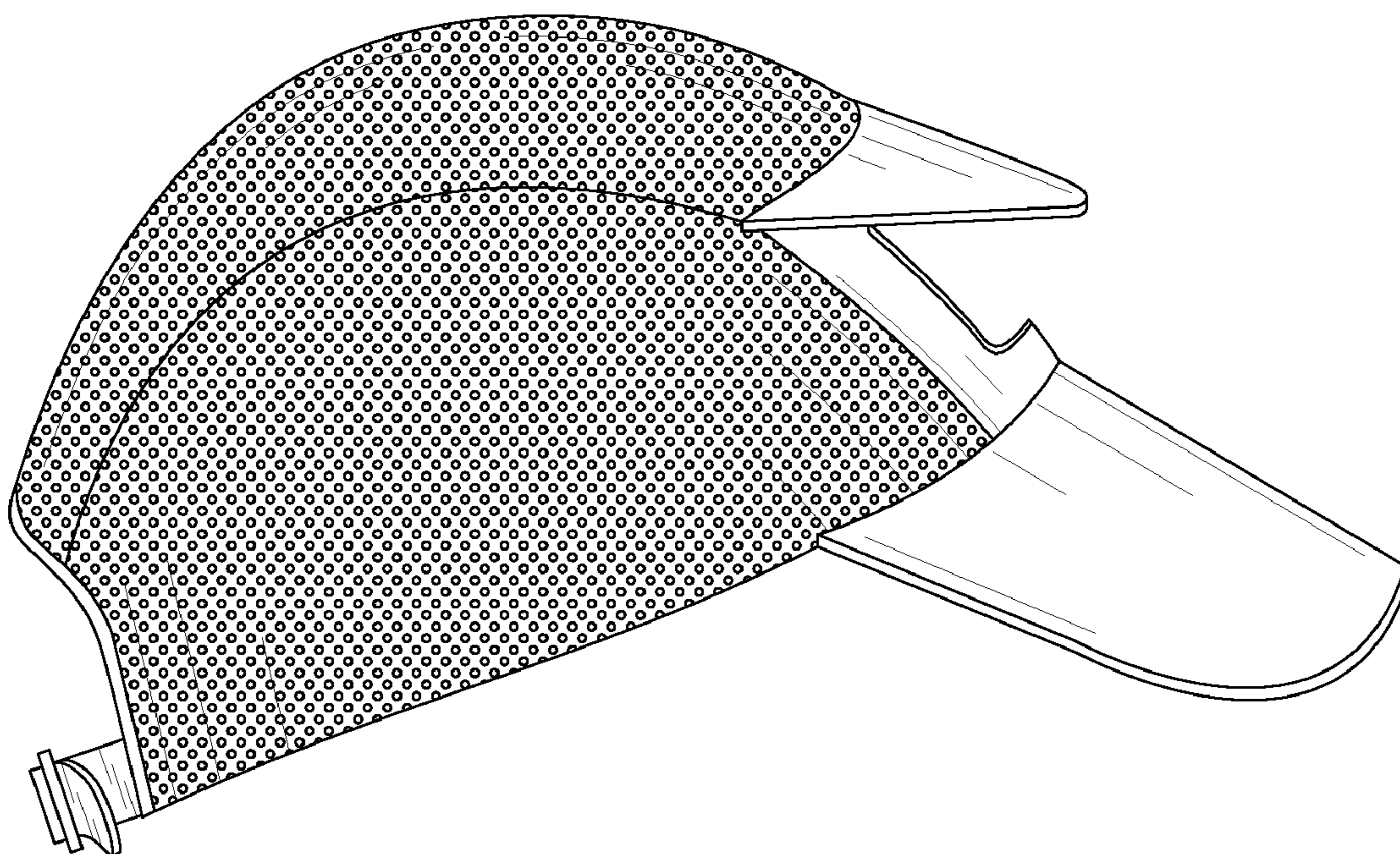
**FIG. 1**



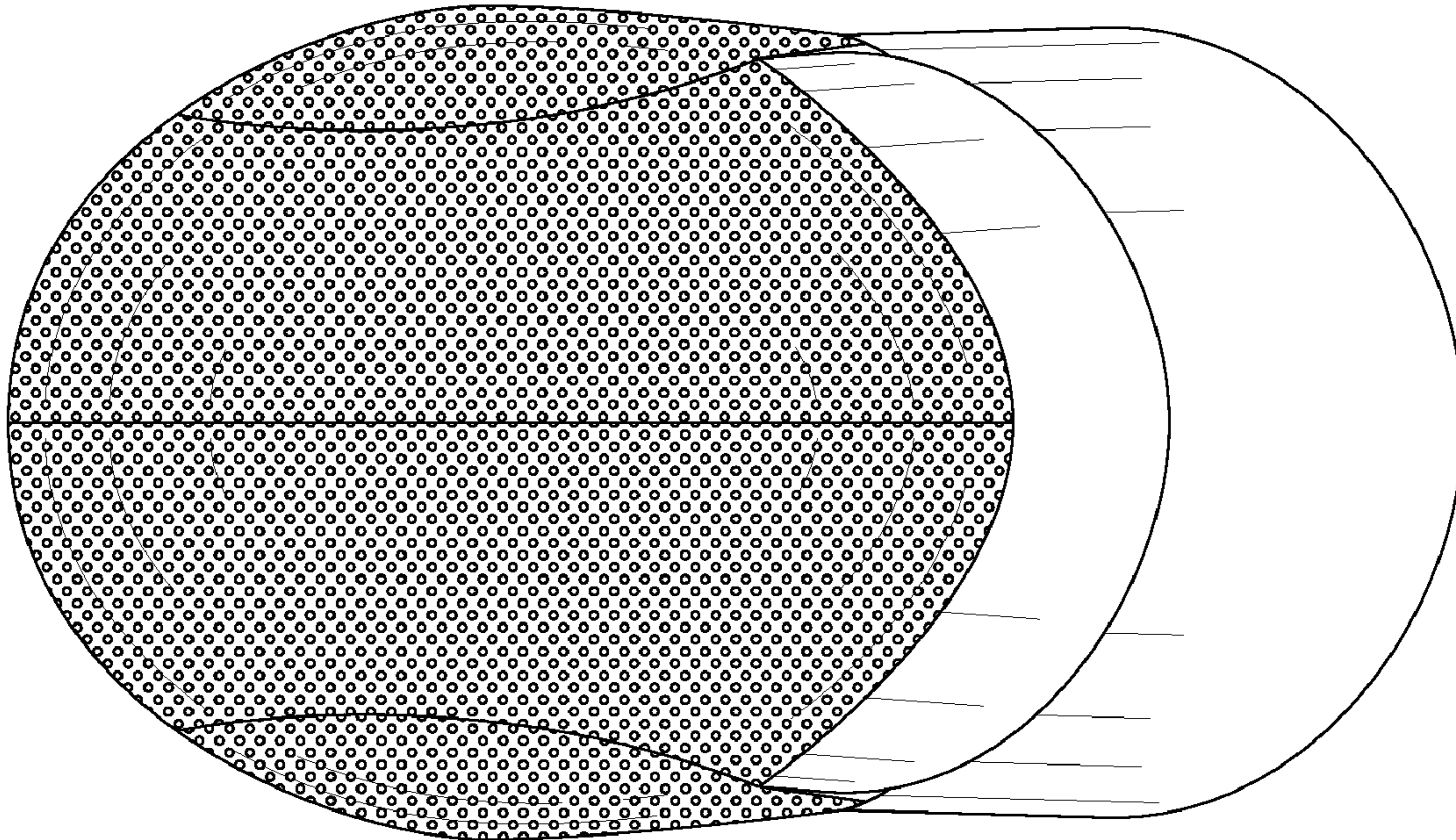
**FIG. 2**



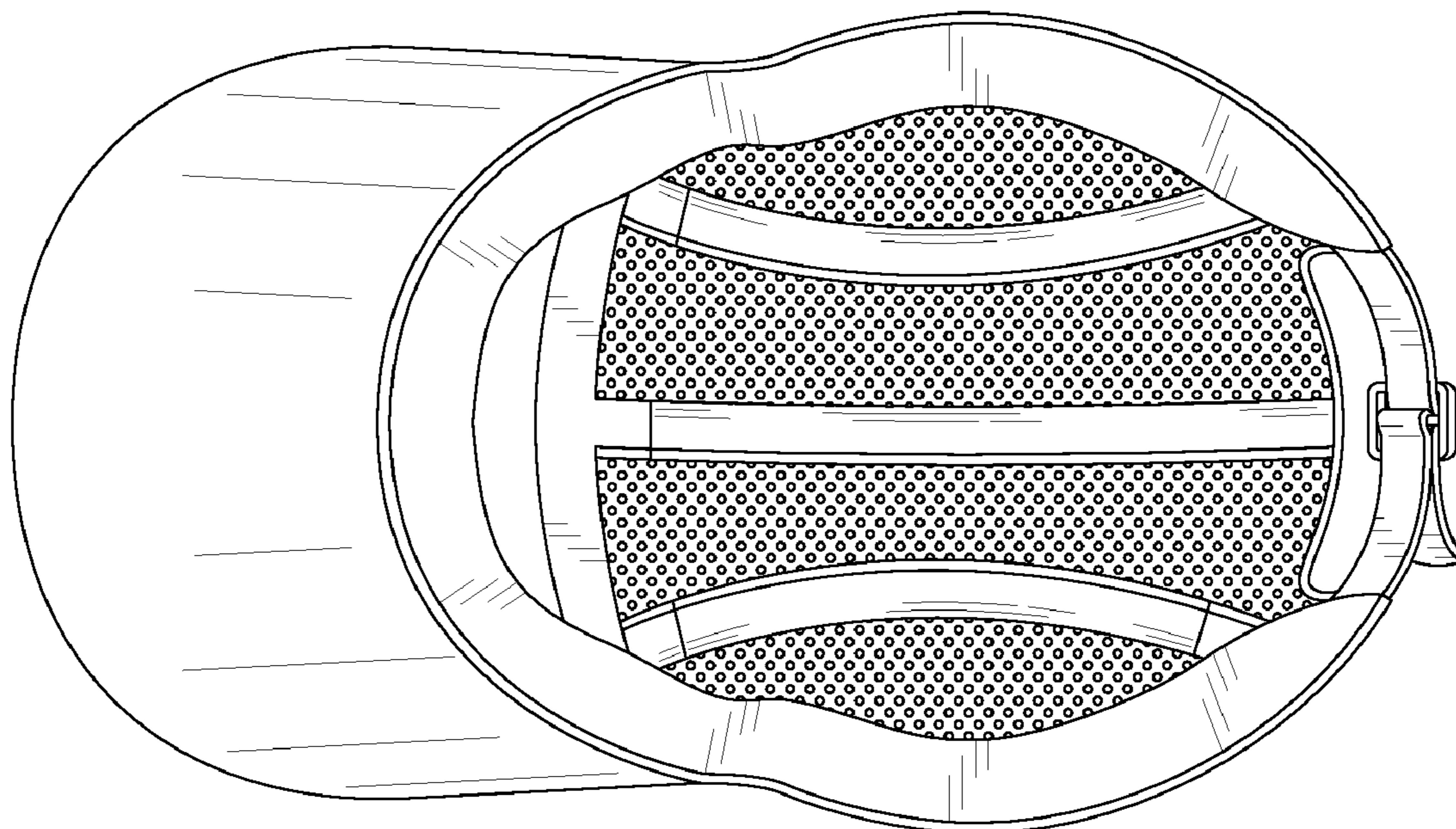
**FIG. 3**



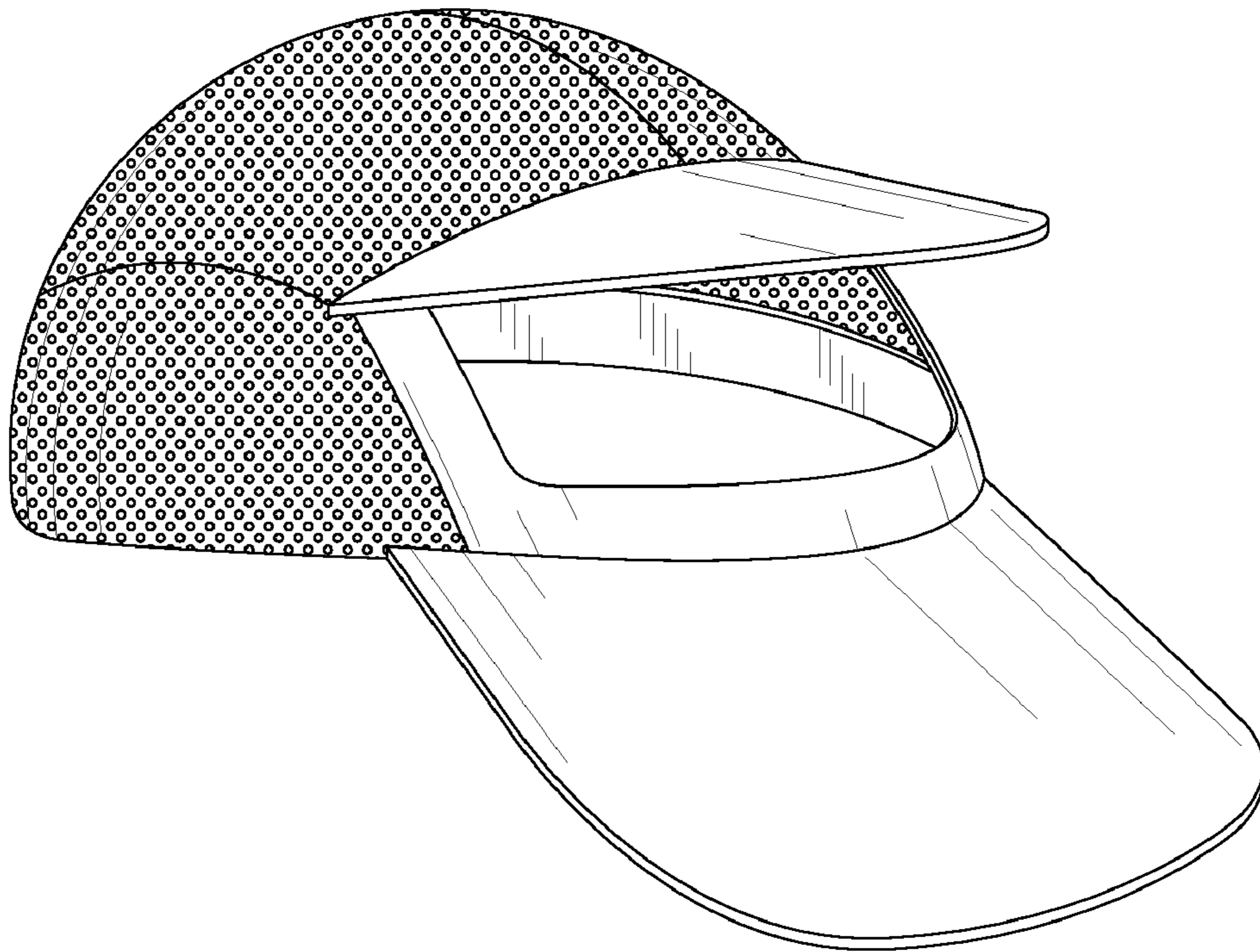
**FIG. 4**



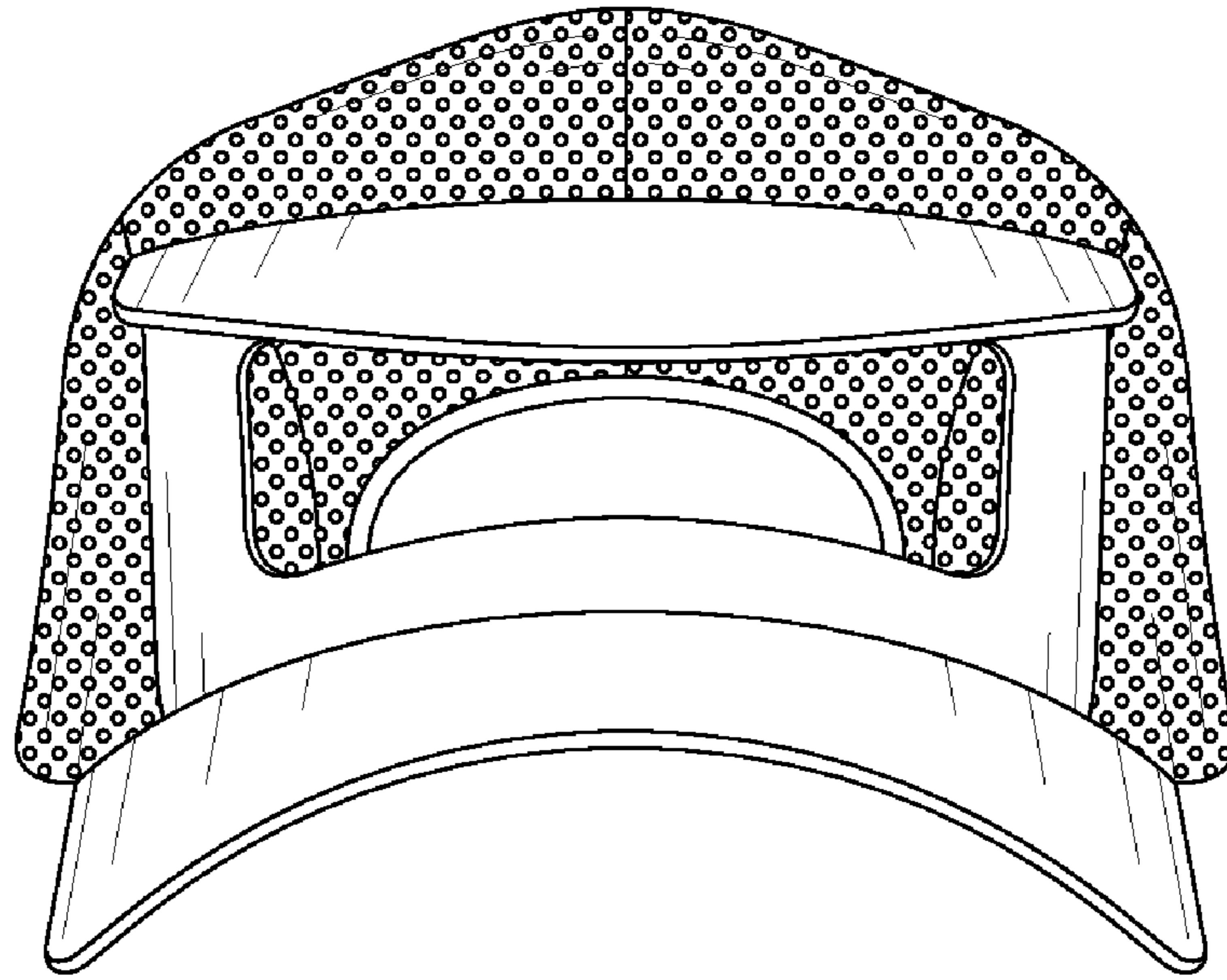
**FIG. 5**



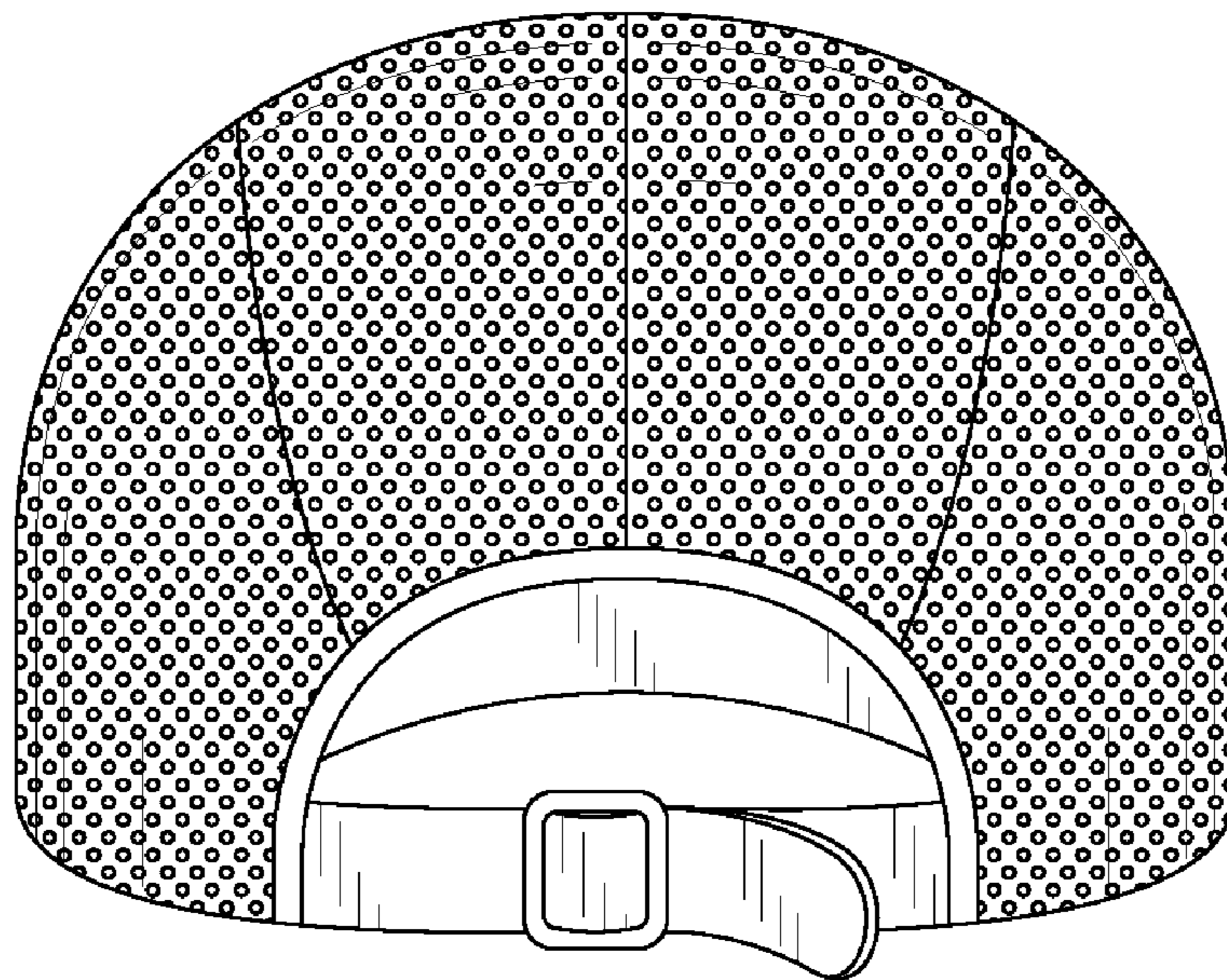
**FIG. 6**



**FIG. 7**

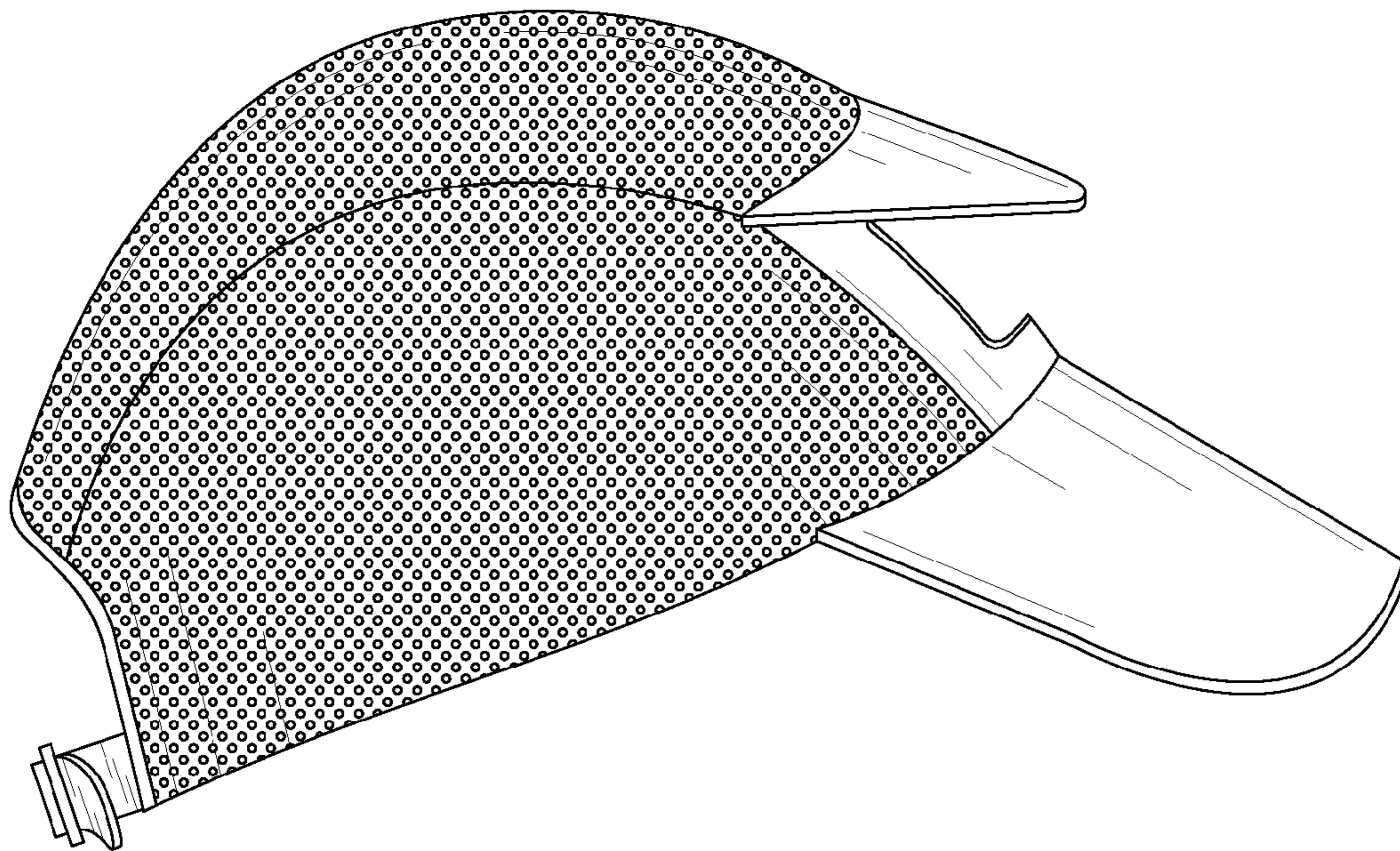


**FIG. 8**



**FIG. 9**





**FIG. 10**

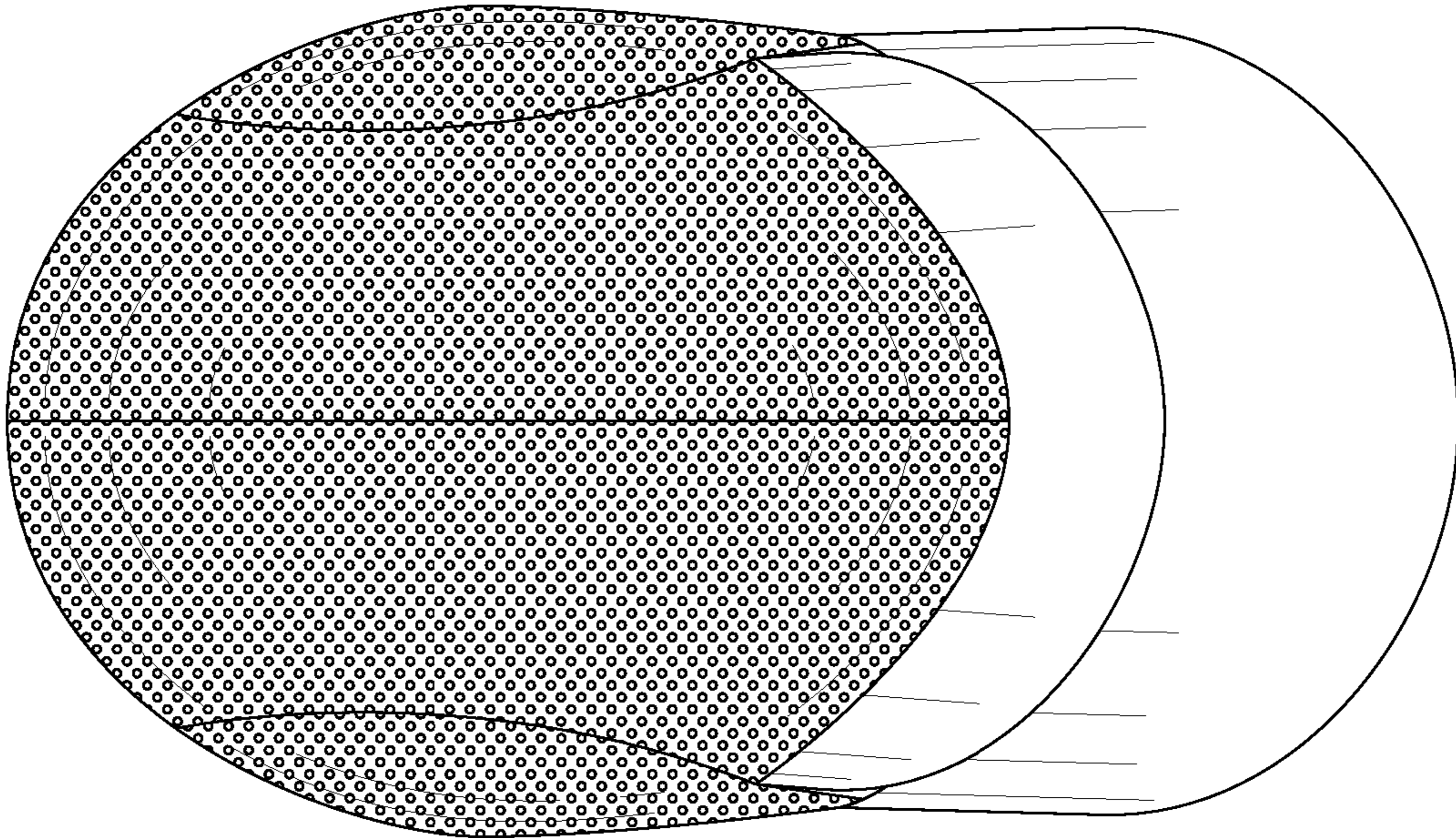


FIG. 11

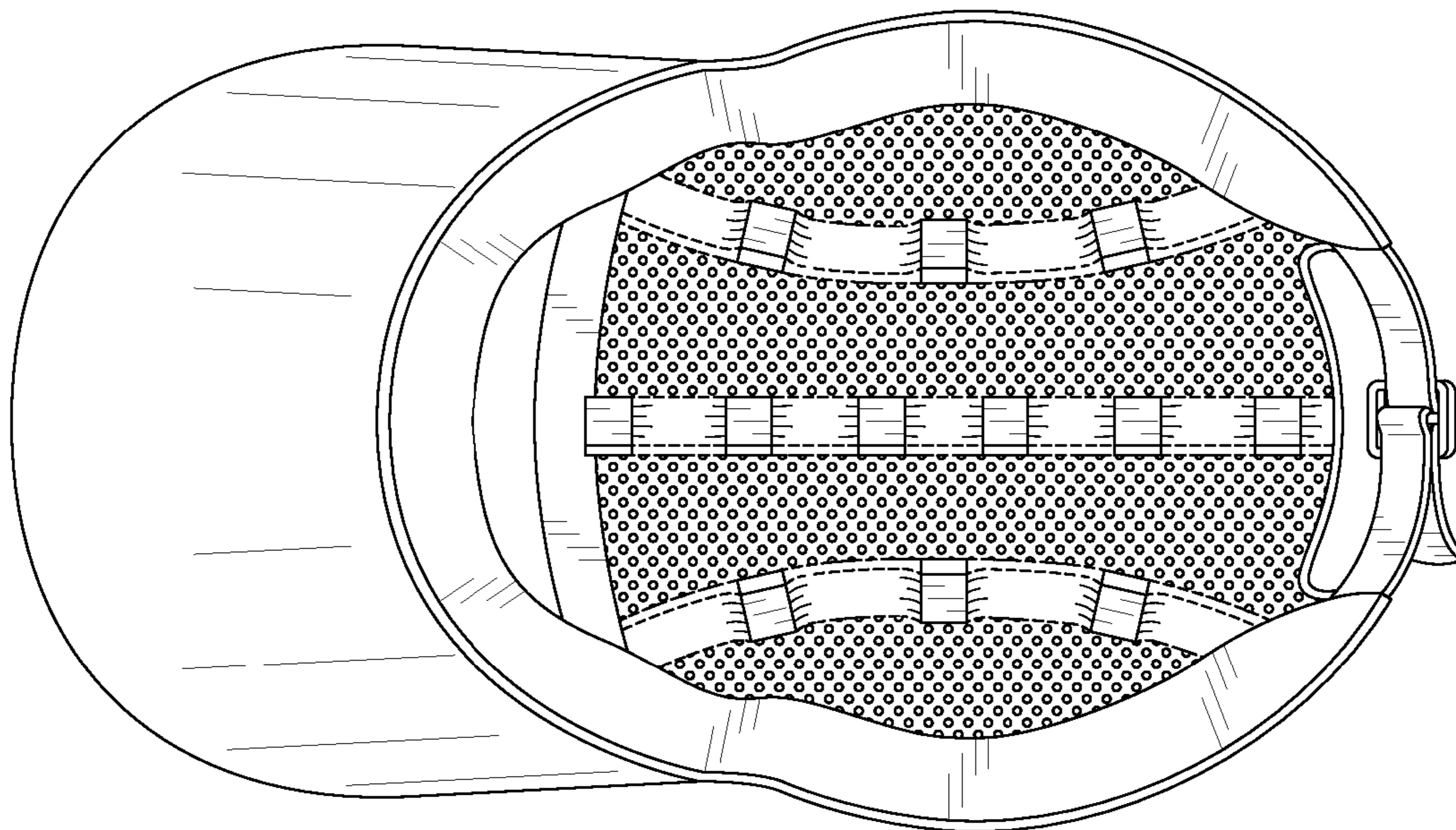


FIG. 12