



US00D658850S

(12) **United States Design Patent**
Valentine

(10) **Patent No.:** **US D658,850 S**

(45) **Date of Patent:** **** May 8, 2012**

(54) **PANT SUPPORT BELT WITH STRAPS**

(76) Inventor: **Raymond A. Valentine**, Riverdale, GA
(US)

(**) Term: **14 Years**

(21) Appl. No.: **29/403,707**

(22) Filed: **Oct. 10, 2011**

(51) **LOC (9) Cl.** **02-07**

(52) **U.S. Cl.** **D2/624**

(58) **Field of Classification Search** D2/624-640,
D2/999; 2/300, 306-308, 311-312, 314-315,
2/338

See application file for complete search history.

| | | | | | |
|--------------|------|---------|--------------|-------|---------|
| 5,857,540 | A * | 1/1999 | Sadeck | | 182/6 |
| D415,331 | S | 10/1999 | Garcia | | |
| 5,960,473 | A | 10/1999 | Tajima | | |
| 6,131,206 | A * | 10/2000 | Vayda | | 2/315 |
| 6,308,338 | B1 * | 10/2001 | Caldwell | | 2/312 |
| 6,490,733 | B1 | 12/2002 | Casabon | | |
| 6,698,031 | B2 | 3/2004 | Lewis | | |
| D595,930 | S | 7/2009 | Perry | | |
| 7,665,152 | B2 * | 2/2010 | Sloan et al. | | 2/69 |
| 7,921,424 | B2 * | 4/2011 | Shutt et al. | | 718/105 |
| 2009/0300825 | A1 * | 12/2009 | Greber | | 2/312 |

* cited by examiner

Primary Examiner — T. Chase Nelson
Assistant Examiner — Kathleen M Sims

(57) **CLAIM**

The ornamental design for a pant support belt with straps, as shown and described.

DESCRIPTION

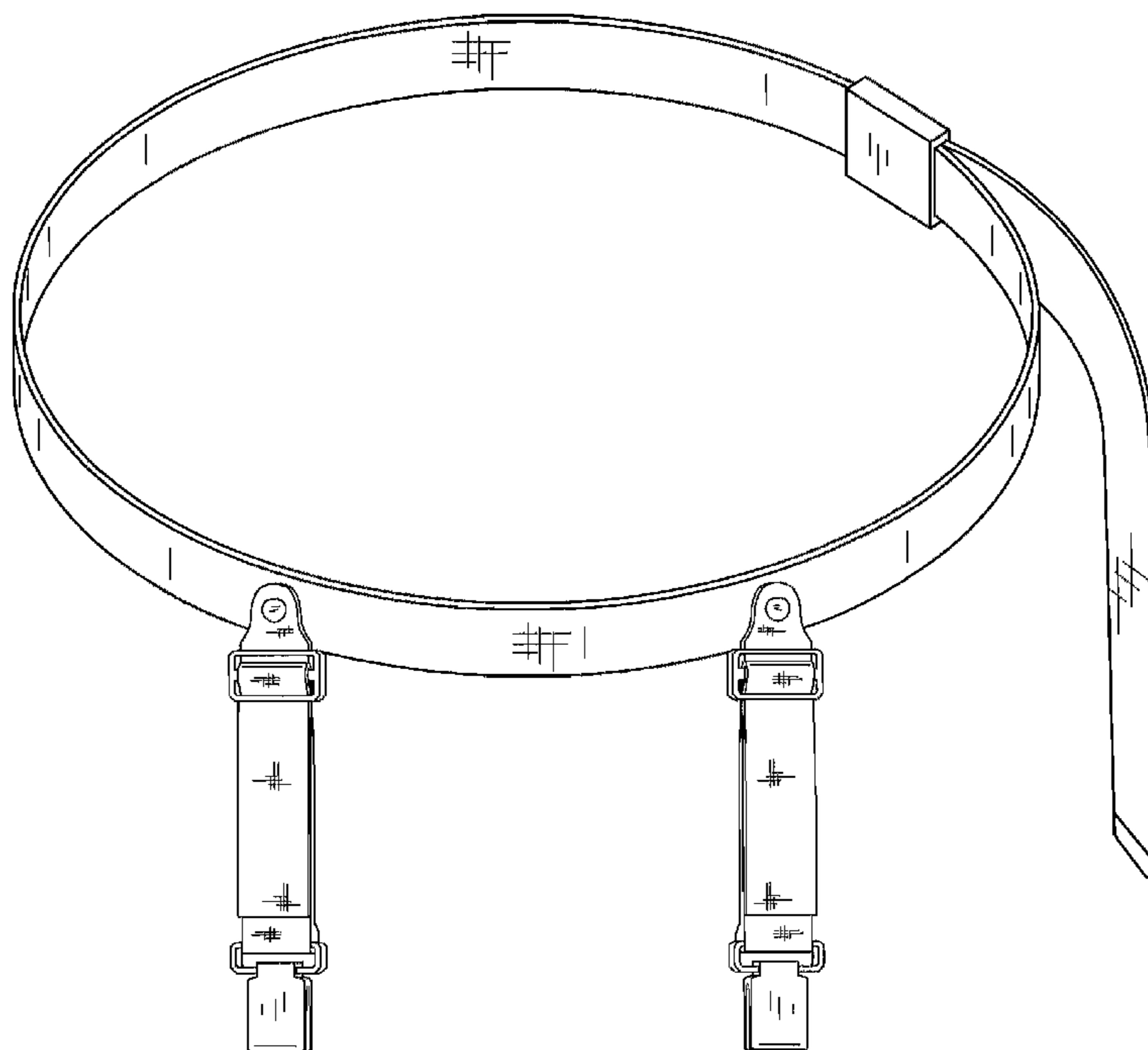
FIG. 1 is a front elevation view of a pant support belt with straps showing my new design;
FIG. 2 is a rear elevational view thereof shown in use;
FIG. 3 is a right side elevation view thereof;
FIG. 4 is a left side elevation view thereof;
FIG. 5 is a top plan view thereof;
FIG. 6 is a bottom plan view thereof;
FIG. 7 is a front perspective view thereof; and,
FIG. 8 is a side view thereof shown in use.
The broken line showing of details in FIGS. 2 and 8 is included for the purpose of showing environmental portions of the pant support belt with straps and forms no part of the claimed design.

1 Claim, 6 Drawing Sheets

(56) **References Cited**

U.S. PATENT DOCUMENTS

| | | | | | |
|-----------|-----|--------|-----------------|-------|--------|
| 1,480,114 | A * | 1/1924 | Proctor | | 2/315 |
| 1,706,508 | A * | 3/1929 | Winnett | | 2/338 |
| 1,770,741 | A * | 7/1930 | Moore | | 2/315 |
| 1,806,221 | A * | 5/1931 | Ross | | 2/308 |
| 1,840,945 | A * | 1/1932 | Guinzburg | | 2/338 |
| D113,078 | S * | 1/1939 | Shaw | | D2/625 |
| 2,377,651 | A * | 6/1945 | Roseman | | 2/315 |
| D151,039 | S * | 9/1948 | Goldstein | | D2/625 |
| 2,705,328 | A * | 4/1955 | Felix | | 2/312 |
| 3,932,897 | A * | 1/1976 | Young | | 2/306 |
| 4,285,069 | A * | 8/1981 | Hall | | 2/314 |
| 4,498,201 | A * | 2/1985 | Carter | | 2/312 |
| 5,036,548 | A * | 8/1991 | Grilliot et al. | | 2/81 |
| 5,136,724 | A * | 8/1992 | Grilliot et al. | | 2/81 |
| 5,402,539 | A | 4/1995 | Hewitt | | |
| 5,623,735 | A | 4/1997 | Perry | | |



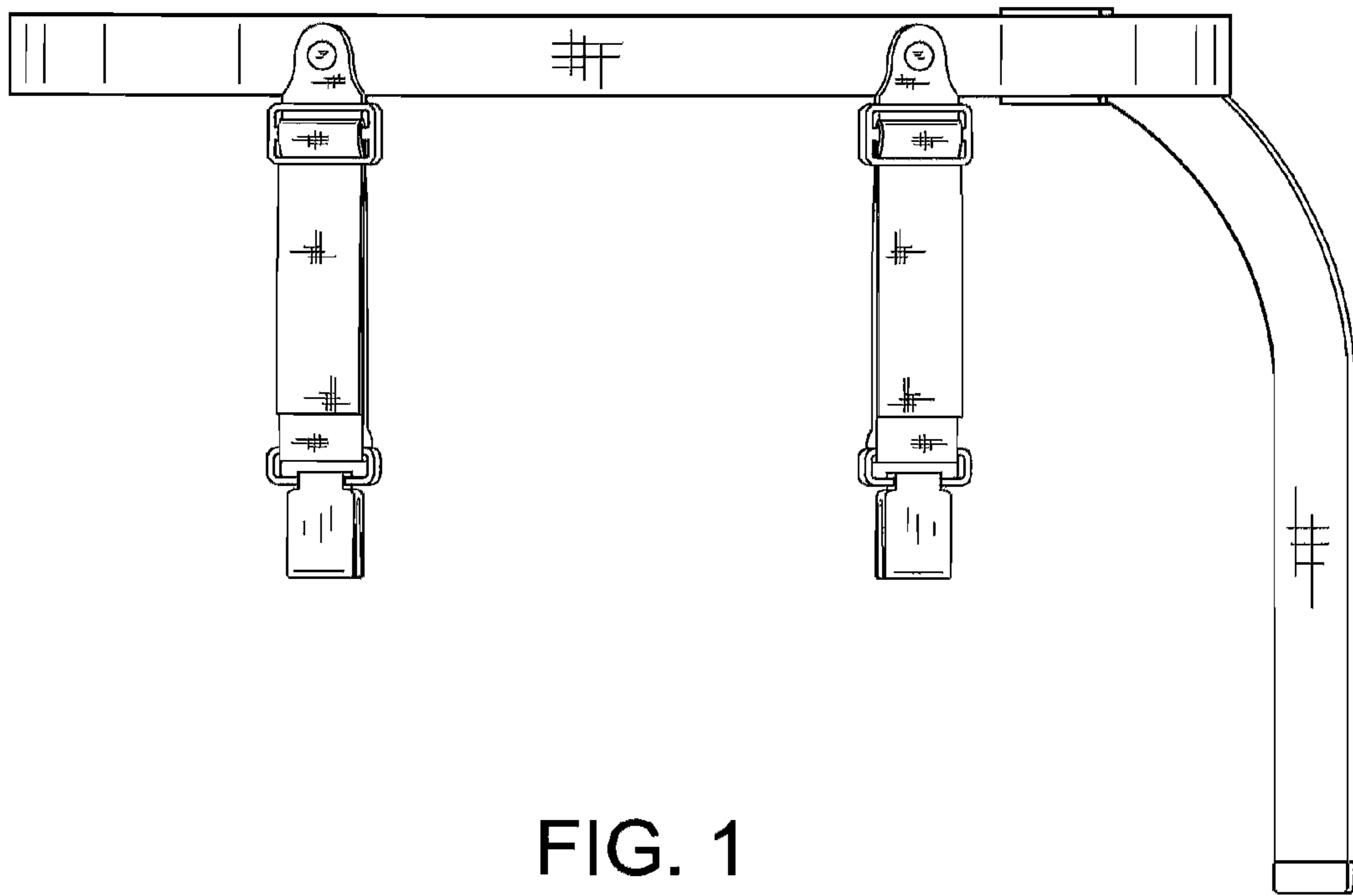


FIG. 1

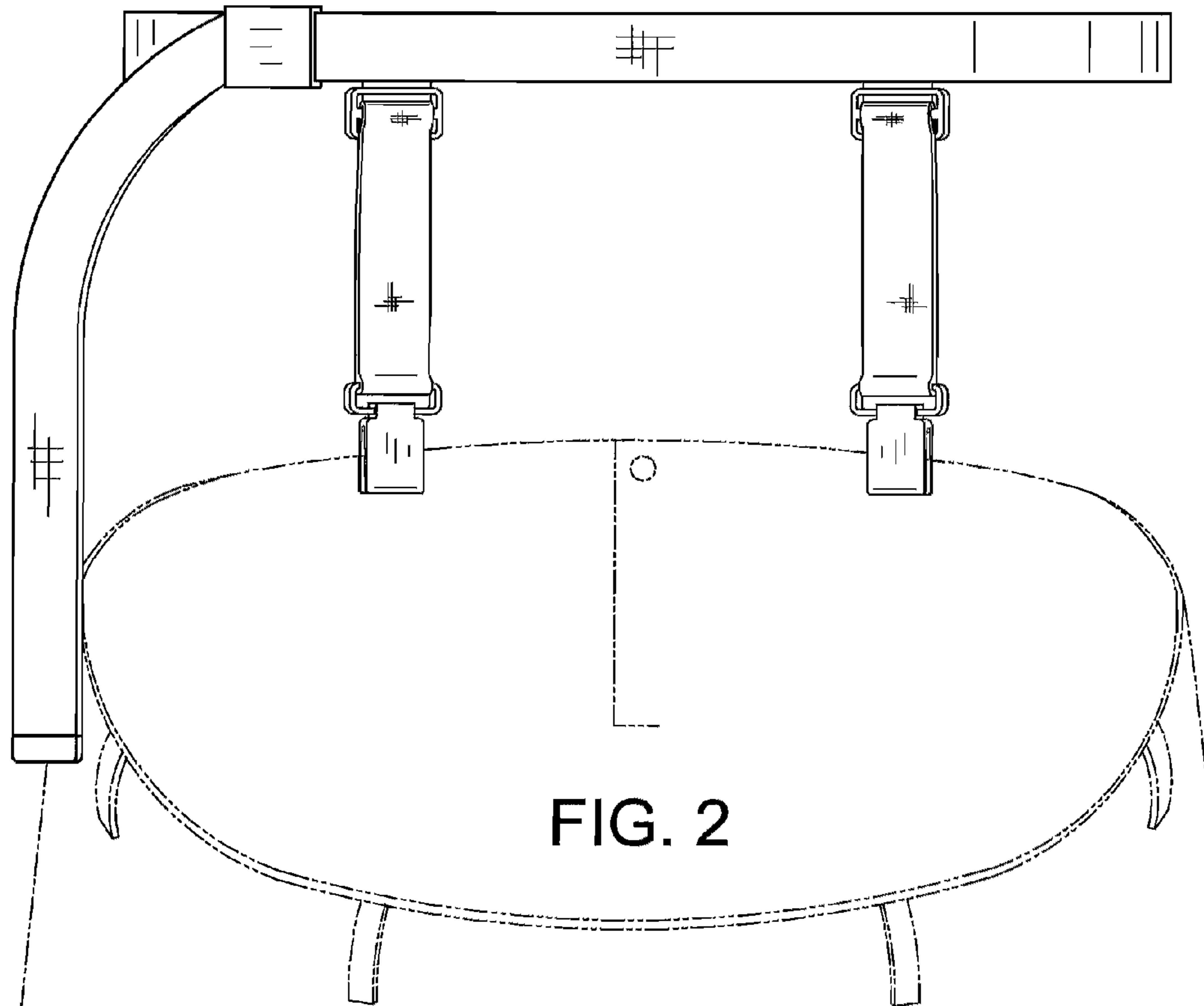


FIG. 2

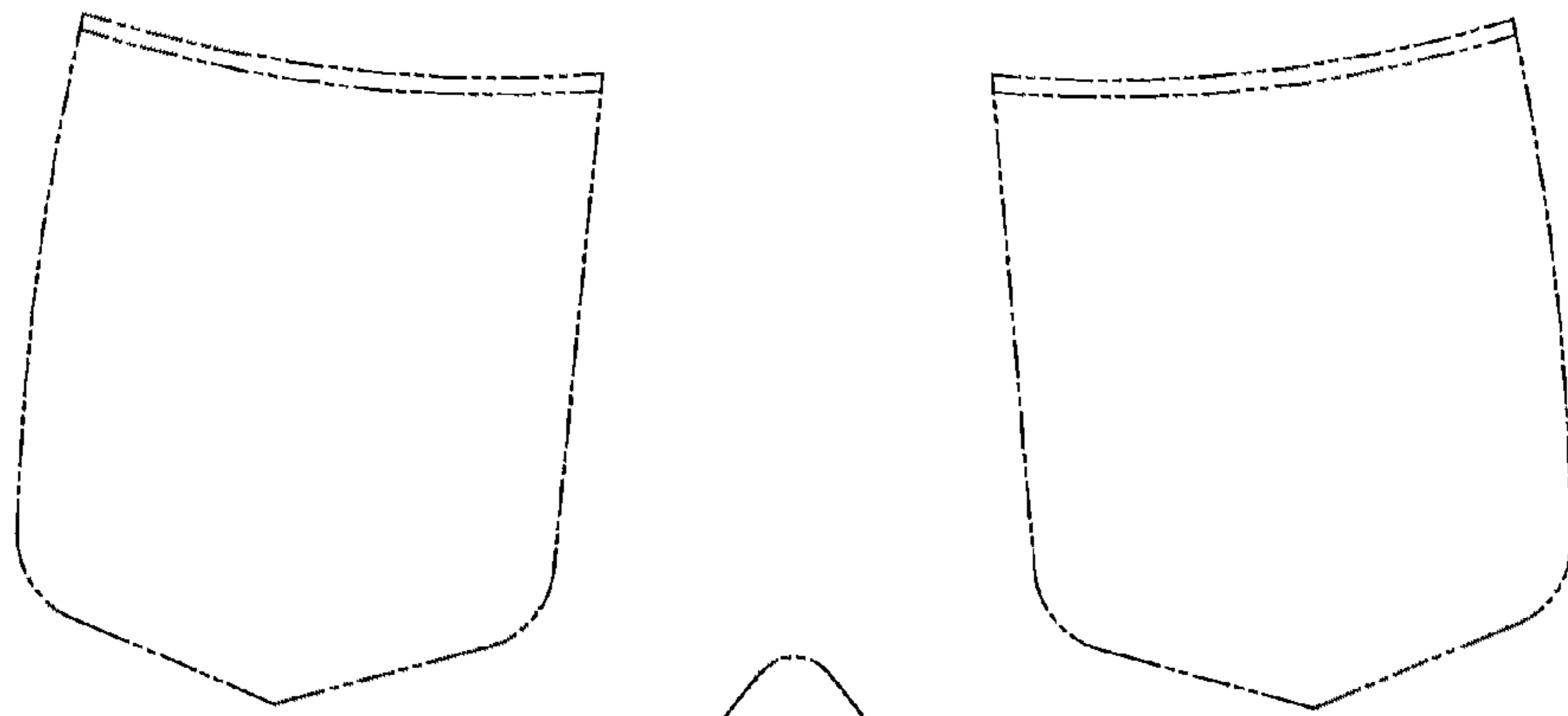


FIG. 3

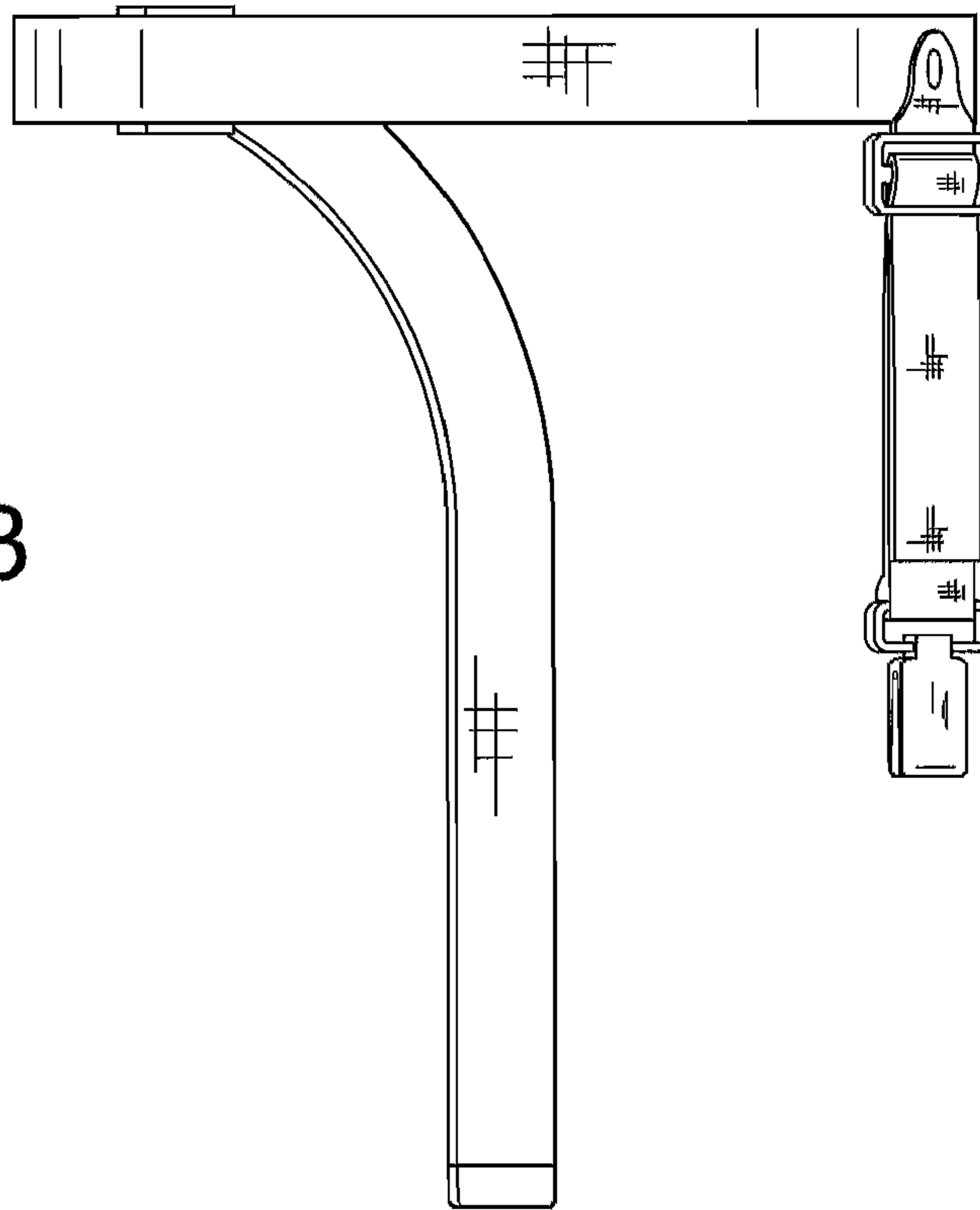
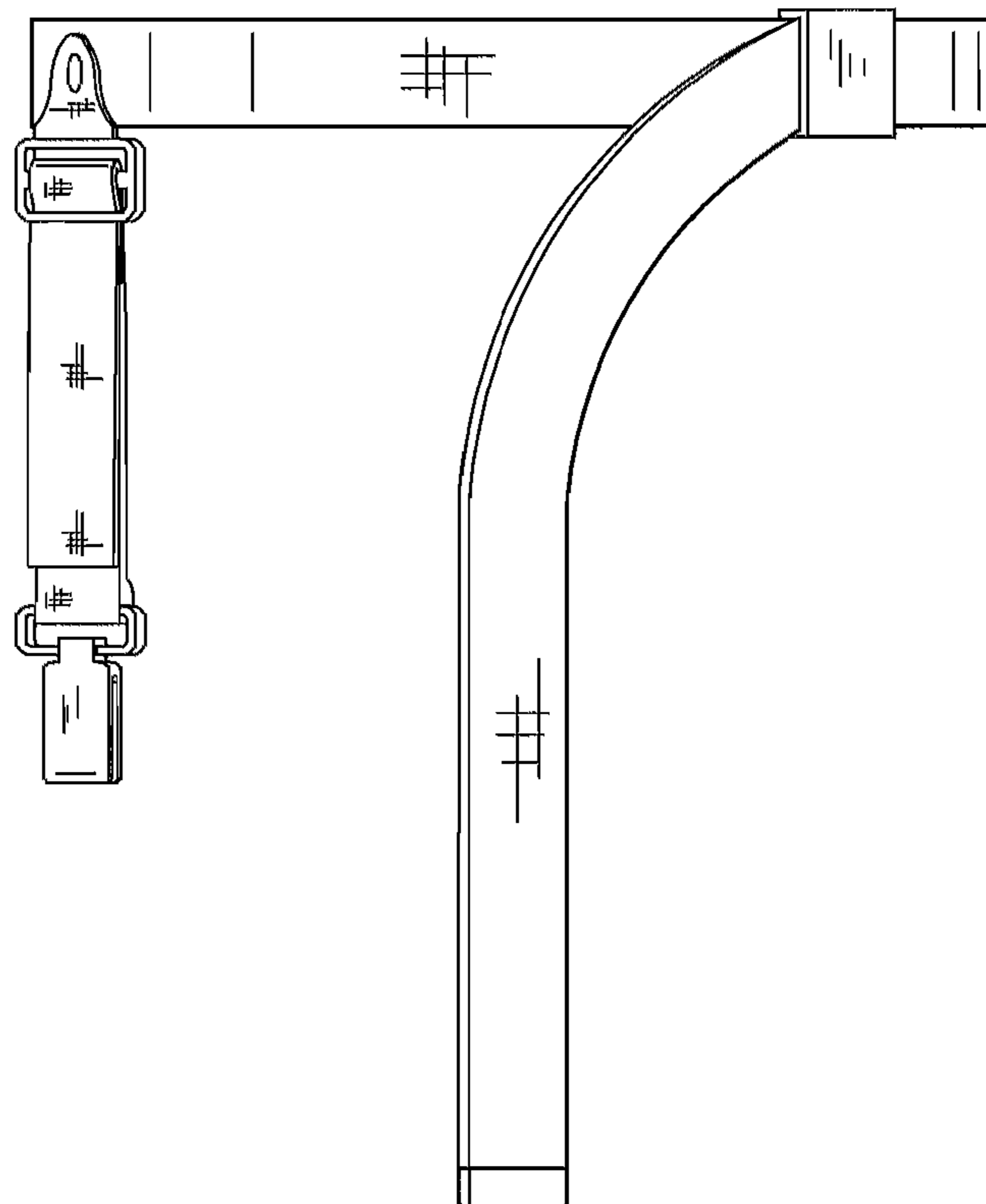


FIG. 4



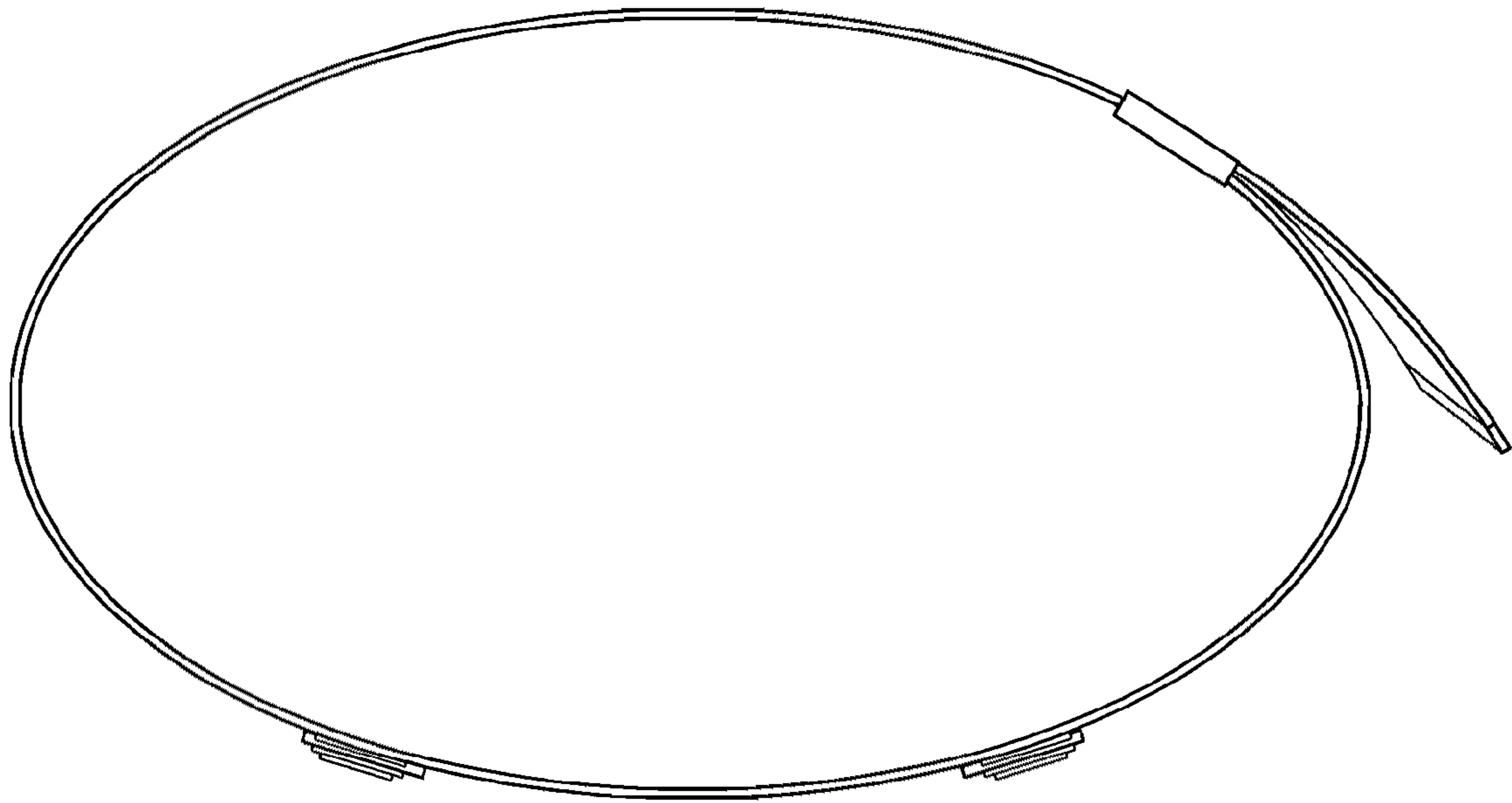


FIG. 5

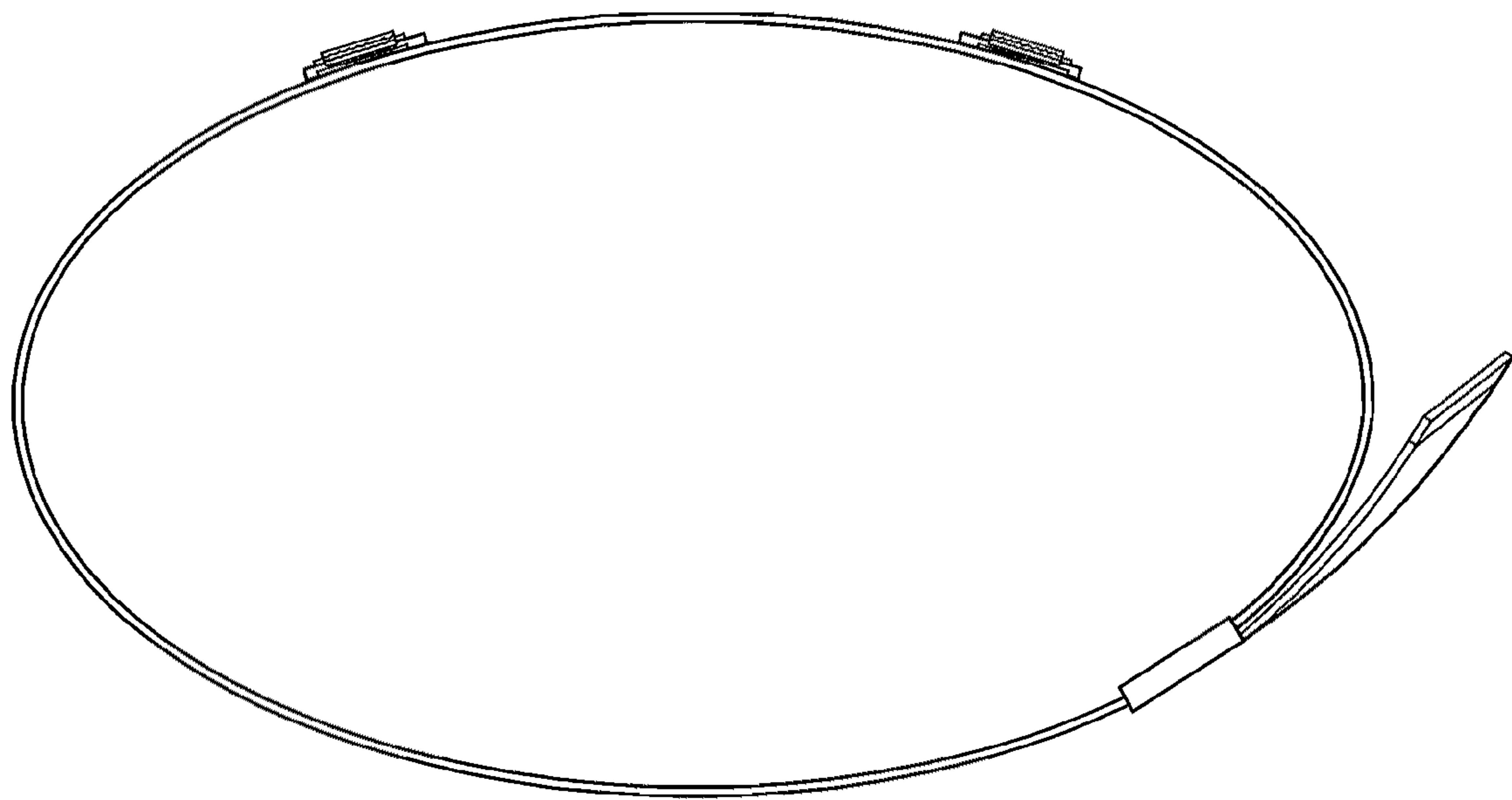


FIG. 6

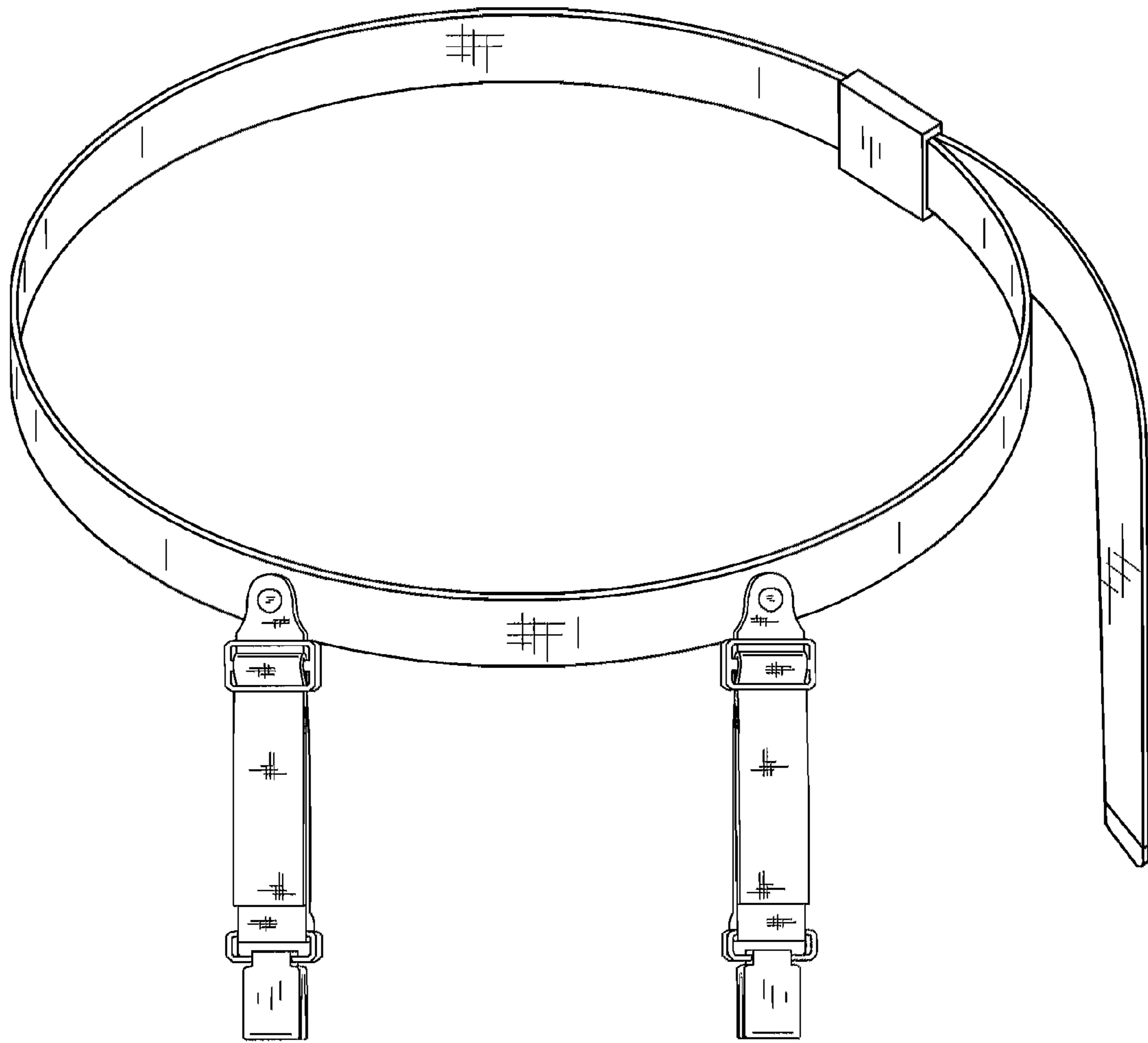


FIG. 7

FIG. 8

