



US00D658848S

(12) **United States Design Patent**
Wylie

(10) **Patent No.:** **US D658,848 S**

(45) **Date of Patent:** **** May 8, 2012**

(54) **PET CHEW**

(75) **Inventor:** **David A. Wylie**, West Yorkshire (GB)

(73) **Assignee:** **Mars, Incorporated**, McLean, VA (US)

(**) **Term:** **14 Years**

(21) **Appl. No.:** **29/392,521**

(22) **Filed:** **May 23, 2011**

(30) **Foreign Application Priority Data**

Nov. 24, 2010 (EM) 1246557-0001/2

(51) **LOC (9) Cl.** **01-01**

(52) **U.S. Cl.** **D1/199; D1/101; D1/125**

(58) **Field of Classification Search** D1/100,
D1/101, 106, 109, 120, 122, 125-128, 199;
D30/160; D24/102, 103; D25/119-135;
119/706-711; 426/2, 89, 92, 104, 635, 805
See application file for complete search history.

(56) **References Cited**

U.S. PATENT DOCUMENTS

D116,547 S *	9/1939	Arms	D28/8.1
D224,077 S *	7/1972	Duval et al.	D1/199
D226,595 S *	4/1973	Caunes	D1/121
D228,827 S *	10/1973	Cammelot et al.	D1/199
5,194,283 A *	3/1993	Dupas et al.	426/582
D528,261 S *	9/2006	Mendes et al.	D1/122
D532,583 S *	11/2006	Townsend et al.	D1/122
D538,506 S *	3/2007	Mendes et al.	D1/122
D585,627 S *	2/2009	Wylie	D1/125
D591,926 S *	5/2009	Jia et al.	D1/125
D603,135 S *	11/2009	Unlu et al.	D1/199

D603,136 S *	11/2009	Unlu et al.	D1/199
D614,830 S *	5/2010	Unlu et al.	D1/125
D618,428 S *	6/2010	Unlu et al.	D1/125
D641,947 S *	7/2011	Bruyea et al.	D1/127
D641,950 S *	7/2011	Bruyea et al.	D1/127
D641,953 S *	7/2011	Bruyea et al.	D1/127
D644,001 S *	8/2011	Bruyea et al.	D1/127
D647,276 S *	10/2011	Bruyea et al.	D1/127
2004/0043115 A1 *	3/2004	Mendenhall	426/138

* cited by examiner

Primary Examiner — Barbara Fox

(74) *Attorney, Agent, or Firm* — Arent Fox LLP

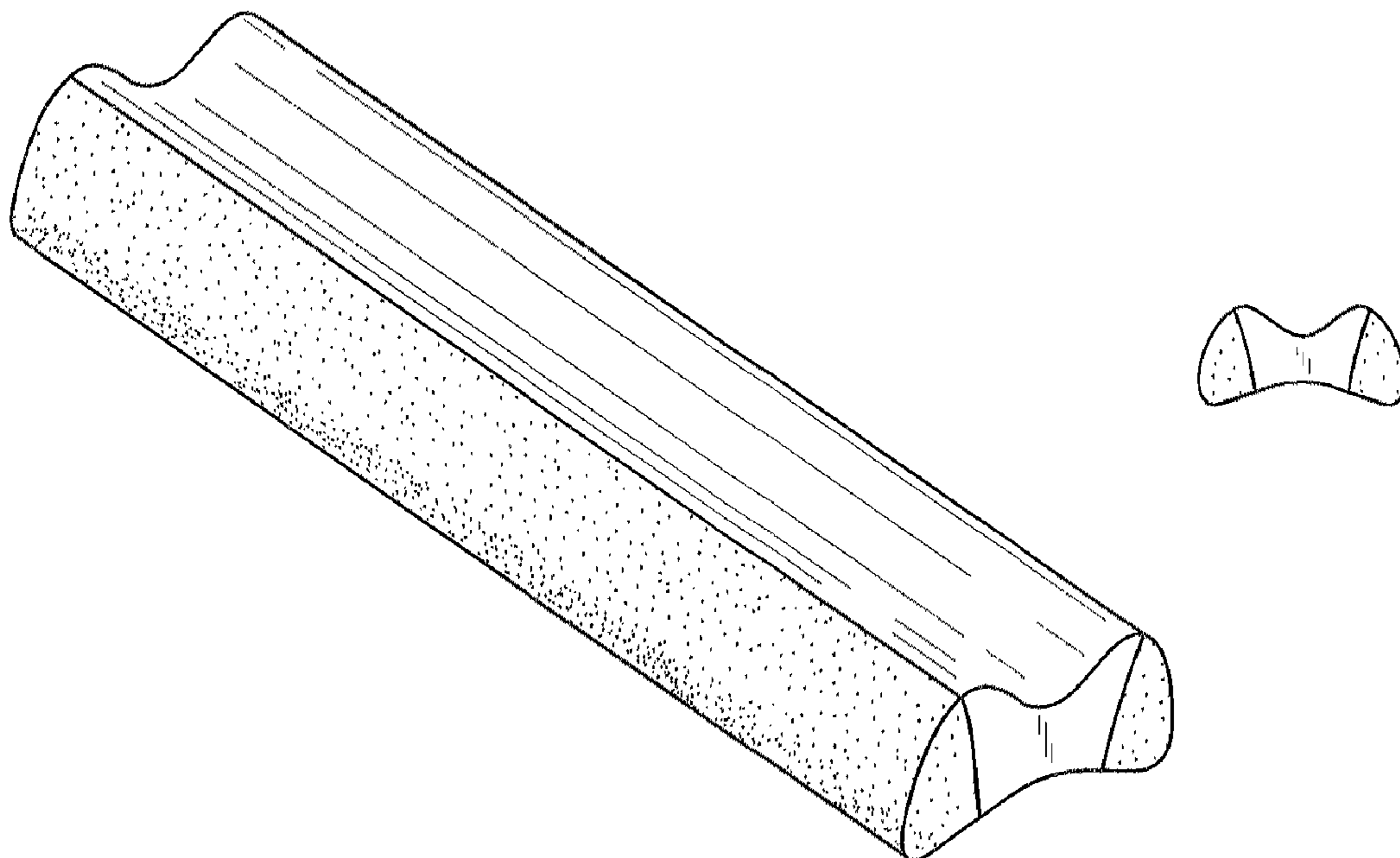
(57) **CLAIM**

The ornamental design for a pet chew, as shown and described.

DESCRIPTION

FIG. 1 is a perspective view of a pet chew showing our new design according to a first embodiment;
 FIG. 2 is front view of the design shown in FIG. 1, the rear view being identical thereto;
 FIG. 3 is a top view of the design shown in FIG. 1;
 FIG. 4 is a bottom view of the design shown in FIG. 1;
 FIG. 5 is a left side view of the design shown in FIG. 1, the right side view being identical thereto;
 FIG. 6 is a perspective view of a pet chew showing our new design according to a second embodiment;
 FIG. 7 is front view of the design shown in FIG. 6, the rear view being identical thereto;
 FIG. 8 is a top view of the design shown in FIG. 6;
 FIG. 9 is a bottom view of the design shown in FIG. 6; and,
 FIG. 10 is a left side view of the design shown in FIG. 6, the right side view being identical thereto.

1 Claim, 10 Drawing Sheets



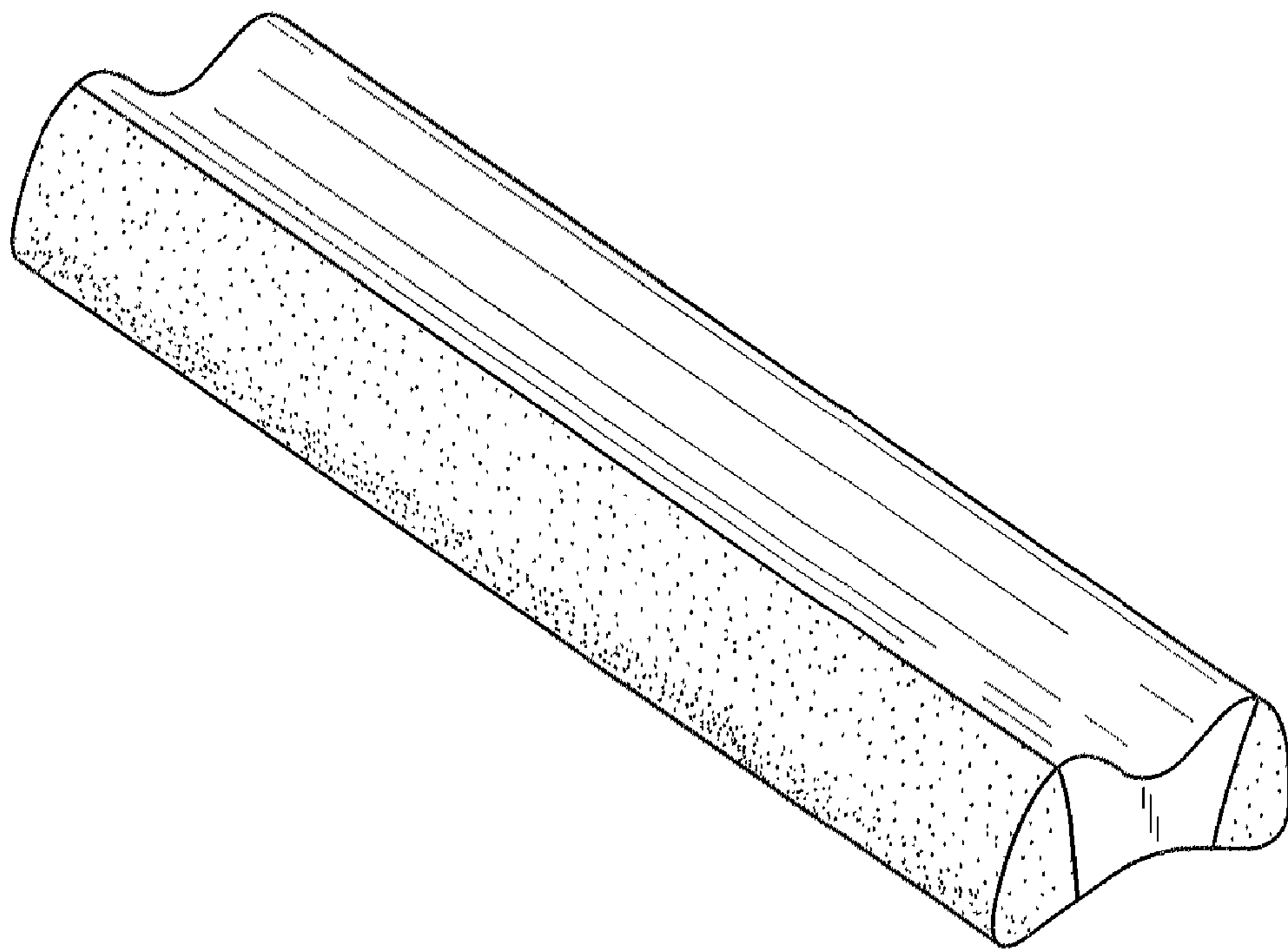


FIG. 1

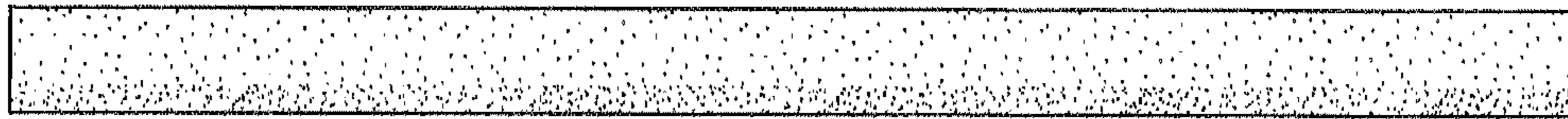


FIG.2

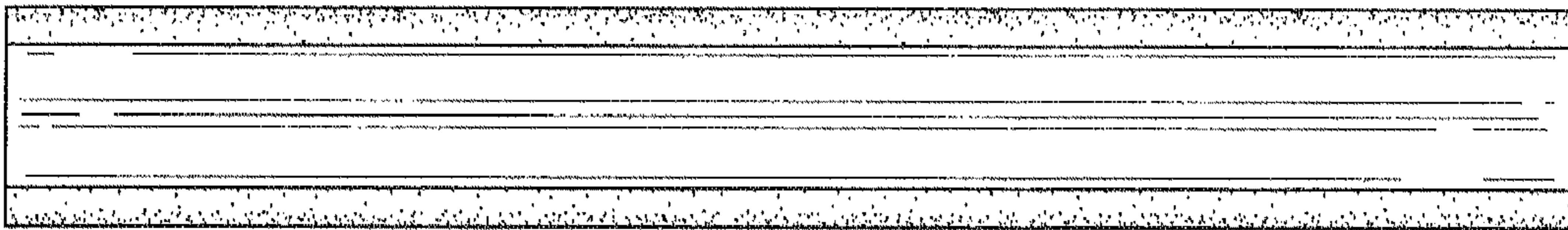


FIG. 3

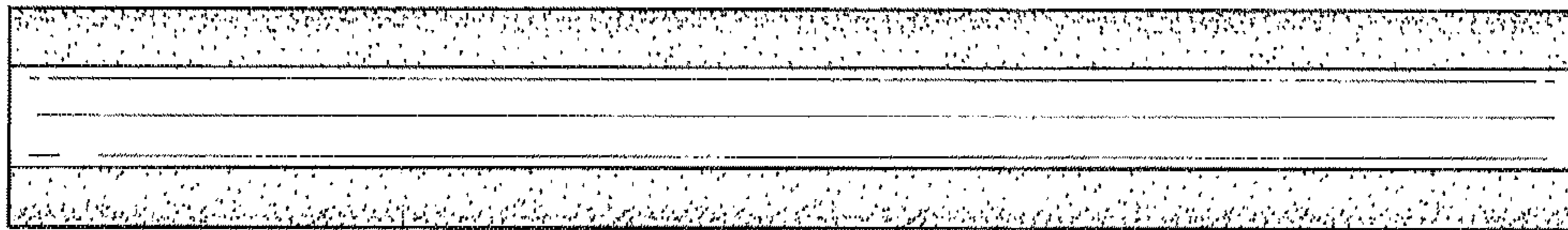


FIG.4



FIG. 5

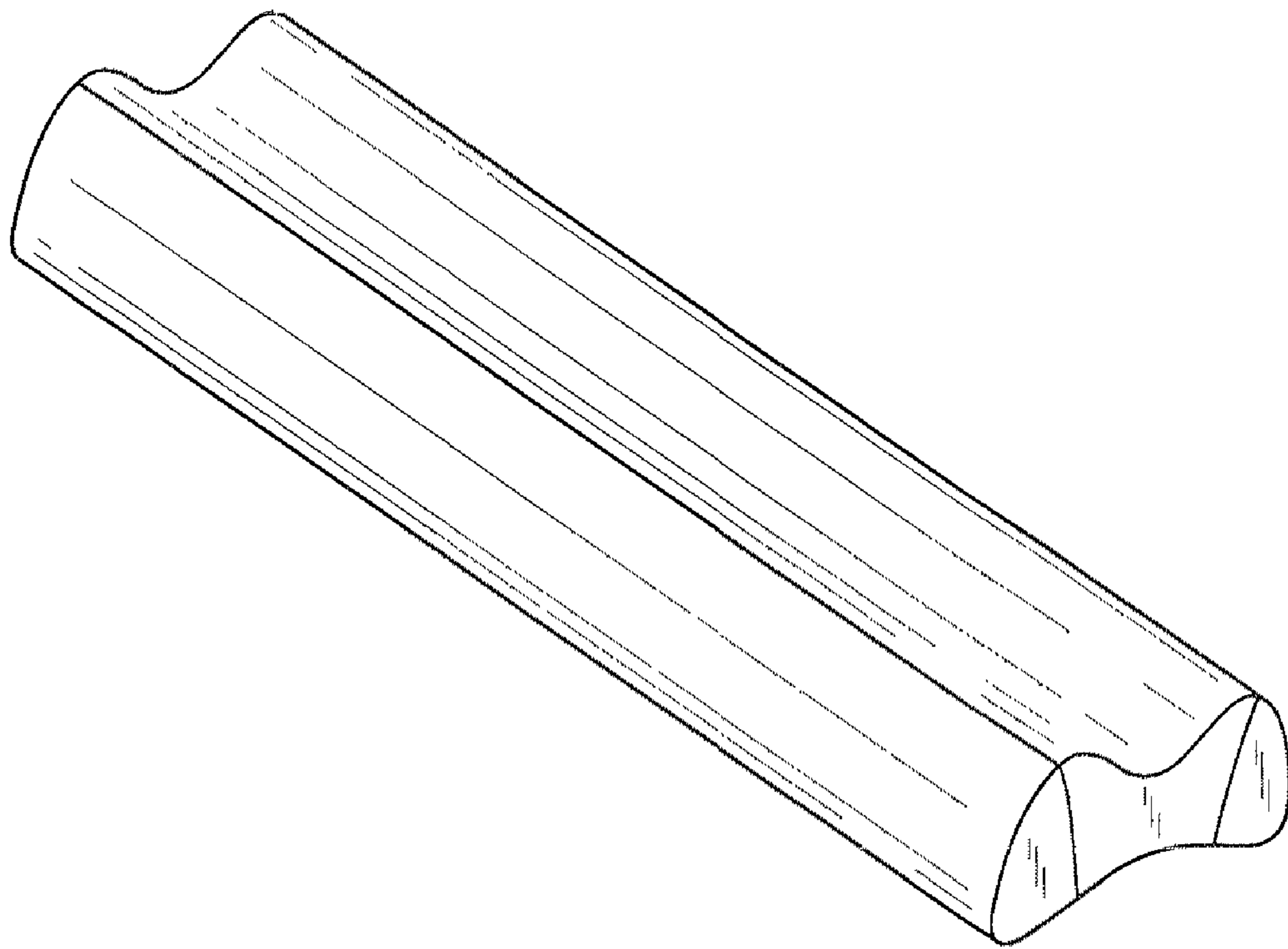


FIG. 6



FIG. 7

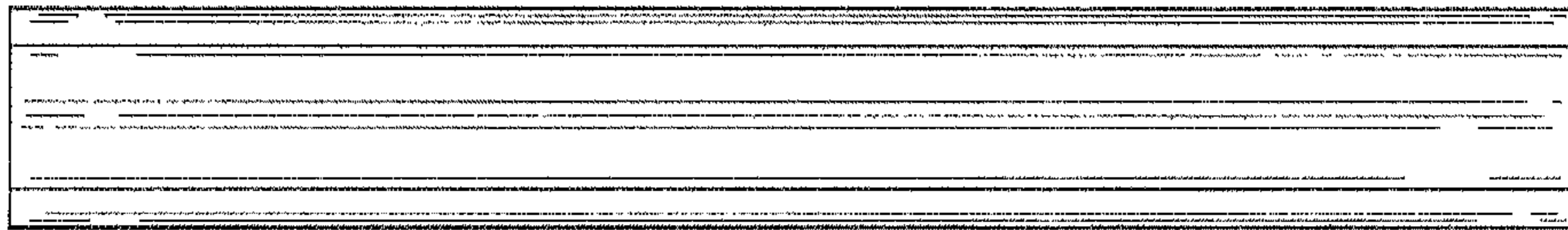


FIG.8

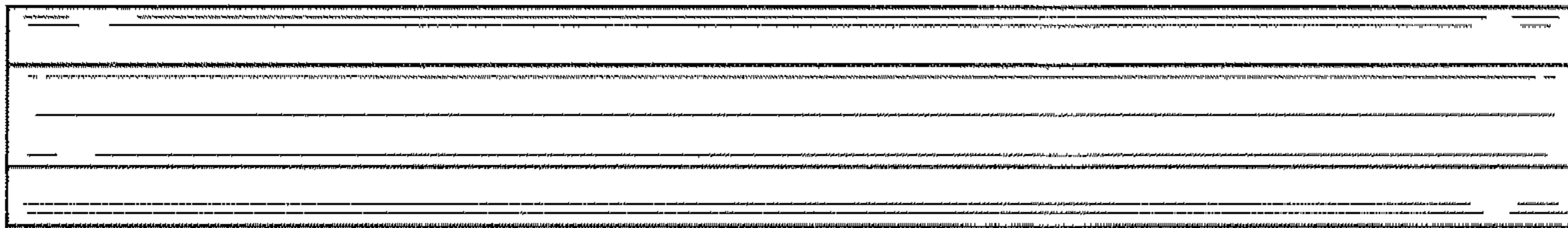


FIG.9



FIG. 10