



US00D658841S

(12) **United States Design Patent**
Walter

(10) **Patent No.:** **US D658,841 S**

(45) **Date of Patent:** **** May 1, 2012**

(54) **COMBINED CHILD SEAT AND RETENTION FLAP FOR USE WITH A SHOPPING CART**

(75) Inventor: **Ivor Michel Walter**, Boulder, CO (US)

(73) Assignee: **AMSA, Inc.**, Boulder, CO (US)

(**) Term: **14 Years**

(21) Appl. No.: **29/402,205**

(22) Filed: **Sep. 21, 2011**

(51) **LOC (9) Cl.** **12-02**

(52) **U.S. Cl.** **D34/27**

(58) **Field of Classification Search** D34/12-27;
280/33.991, 33.992, 47.34, 33.997, 33.998,
280/33.996, 47.35, 651, 659, 79.3

See application file for complete search history.

(56) **References Cited**

U.S. PATENT DOCUMENTS

D178,445	S	*	7/1956	Young	D34/27
3,645,554	A		2/1972	Von Stein et al.		
D246,301	S		11/1977	Trubiano		
D259,779	S		7/1981	Bond		
4,356,651	A	*	11/1982	Barlow	40/308
D280,858	S		10/1985	Muellner et al.		
4,560,180	A		12/1985	Ulmer		
4,632,411	A		12/1986	Badger		
D288,619	S	*	3/1987	Trubiano	D34/27
D321,577	S		11/1991	Ellis et al.		
5,211,410	A		5/1993	Trubiano		
D348,549	S		7/1994	Trubiano		
5,348,323	A		9/1994	Trubiano		
5,385,357	A	*	1/1995	Trubiano	280/33.993
5,401,042	A	*	3/1995	Ruger	280/33.997

(Continued)

OTHER PUBLICATIONS

Plasti-Cart Max200 Brochure from website [http://www.plasti-cart.com/page.asp?SectionID=2&PageID=72] showing prior art cart manufactured by Plasti-Cart.

(Continued)

Primary Examiner — Cynthia Ramirez

(74) *Attorney, Agent, or Firm* — Margaret Polson; Oppedahl Patent Law Firm LLC

(57) **CLAIM**

The ornamental design for a combined child seat and retention flap for use with a cart, as shown and described.

DESCRIPTION

FIG. 1 is a front perspective view of my new design for a combined child seat and retention flap for use with a shopping cart;

FIG. 2 is a bottom perspective view of FIG. 1.

FIG. 3 is a side elevation view of the right and left sides, which are mirror images of FIG. 1 thereof;

FIG. 4 is a front side elevation view of FIG. 1.

FIG. 5 is a back side elevation view of FIG. 1.

FIG. 6 is a top plan view of FIG. 1.

FIG. 7 is a bottom plan view of FIG. 1.

FIG. 8 is a side elevation view of the left and right sides, which are mirror images, of the child seat in the folded position it is in when the carts are nested together.

FIG. 9 is a top plan view of FIG. 8; and,

FIG. 10 is a bottom plan view of FIG. 8.

The broken lines in the figures are included for the purpose of illustrating elements of the combined child seat and retention flap and form no part of the claimed design.

1 Claim, 5 Drawing Sheets

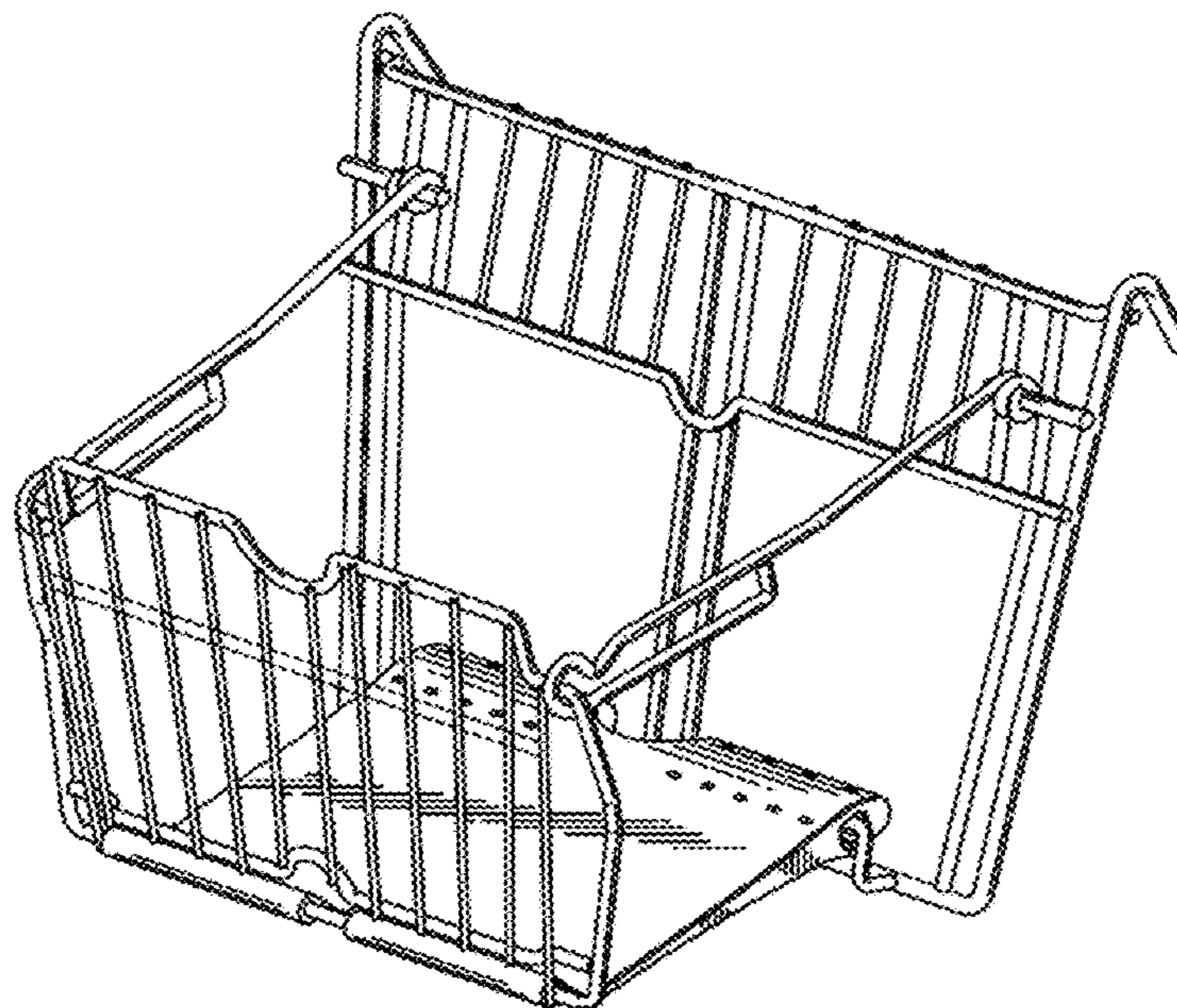


FIG 1

US D658,841 S

Page 2

U.S. PATENT DOCUMENTS

5,435,582 A 7/1995 Davidson
D363,589 S 10/1995 Lafleur et al.
5,505,472 A 4/1996 Trubiano
5,507,507 A 4/1996 Davidson
5,553,877 A 9/1996 Huang
5,595,394 A 1/1997 Adamson
D379,834 S 6/1997 Huang
5,702,114 A 12/1997 Downing et al.
5,961,133 A 10/1999 Perry
D445,230 S 7/2001 Deal et al.
D463,647 S 9/2002 Deal et al.
D470,292 S 2/2003 Johnson et al.
6,533,297 B2 3/2003 Saccani
6,644,674 B2 11/2003 Simard
6,676,139 B1 1/2004 Saccani
D493,594 S 7/2004 Prather et al.
6,832,768 B2 * 12/2004 Duchene et al. 280/33.993
6,981,708 B1 1/2006 Tucker et al.
7,104,552 B2 * 9/2006 Swanson et al. 280/33.991
D550,423 S 9/2007 Splain et al.
D583,523 S 12/2008 Deal et al.
D584,023 S 12/2008 Walter

7,673,886 B2 * 3/2010 Ondrasik 280/33.991
D639,521 S 6/2011 Walter
D646,041 S * 9/2011 Berthiaume et al. D34/27
2001/0022436 A1 9/2001 Simard
2003/0151219 A1 8/2003 Simard
2004/0051263 A1 3/2004 Prather et al.
2006/0273536 A1 * 12/2006 Ondrasik 280/33.991
2008/0265534 A1 * 10/2008 Ondrasik 280/33.991

OTHER PUBLICATIONS

Technibilt 5640 Scan of website [<http://www.technibilt.com/carts/detail.php?id=28>] showing prior art cart manufactured by Techibilt.
Wanzl EL Series Brochure from website [http://www.wanzl.com/000/En/Home/Products/Self-Service_systems/Shopping_Trolleys/Shopping_Trolley_Series/EL_Series.html] showing prior art carts manufactured by Wanzl.
U.S. Appl. No. 29/388,922, filed Apr. 4, 2011; Inventor: Ivor Michel Walter.
U.S. Appl. No. 29/391,701, filed May 12, 2011; Inventor: Ivor Michel Walter.

* cited by examiner

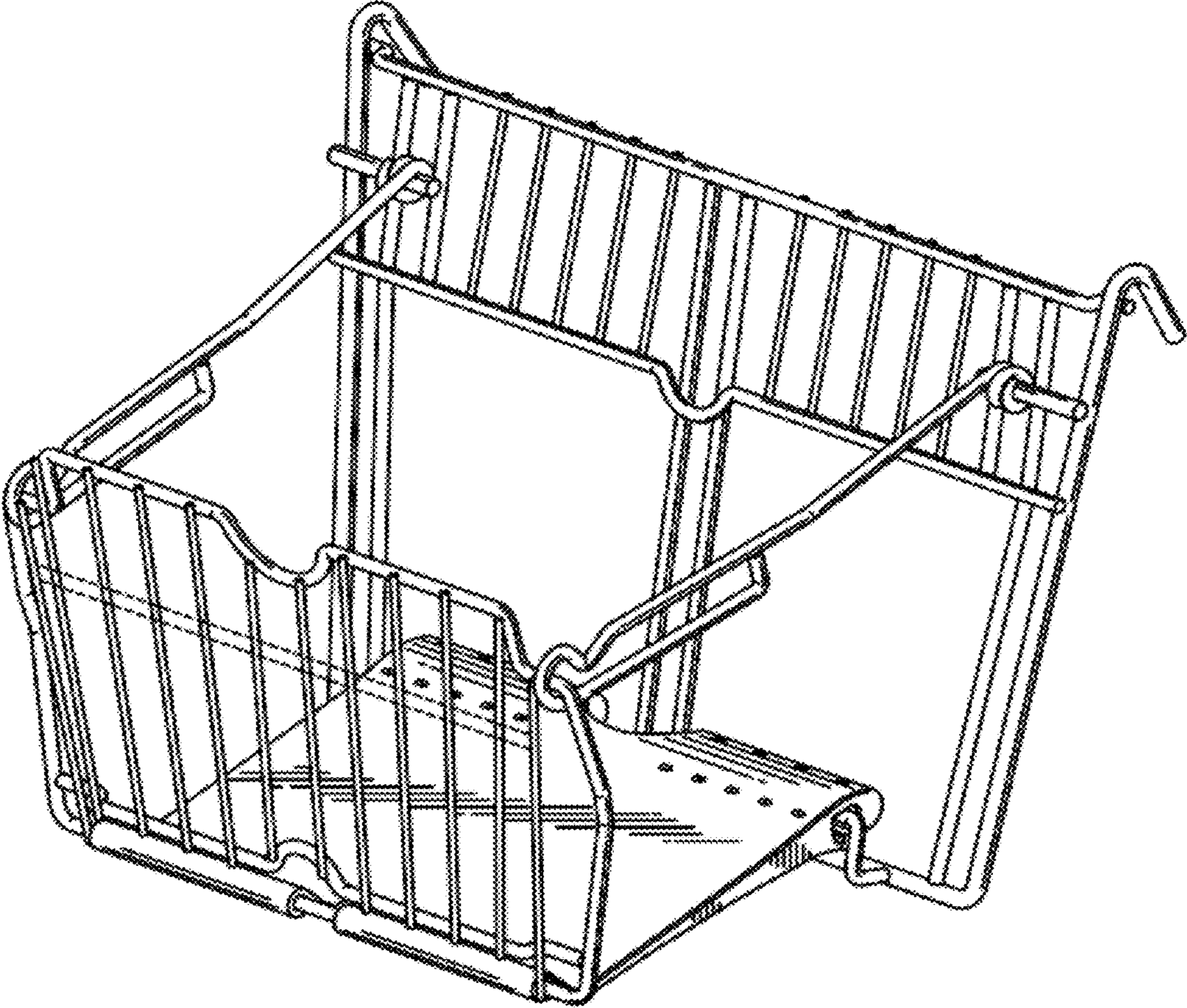


FIG.1

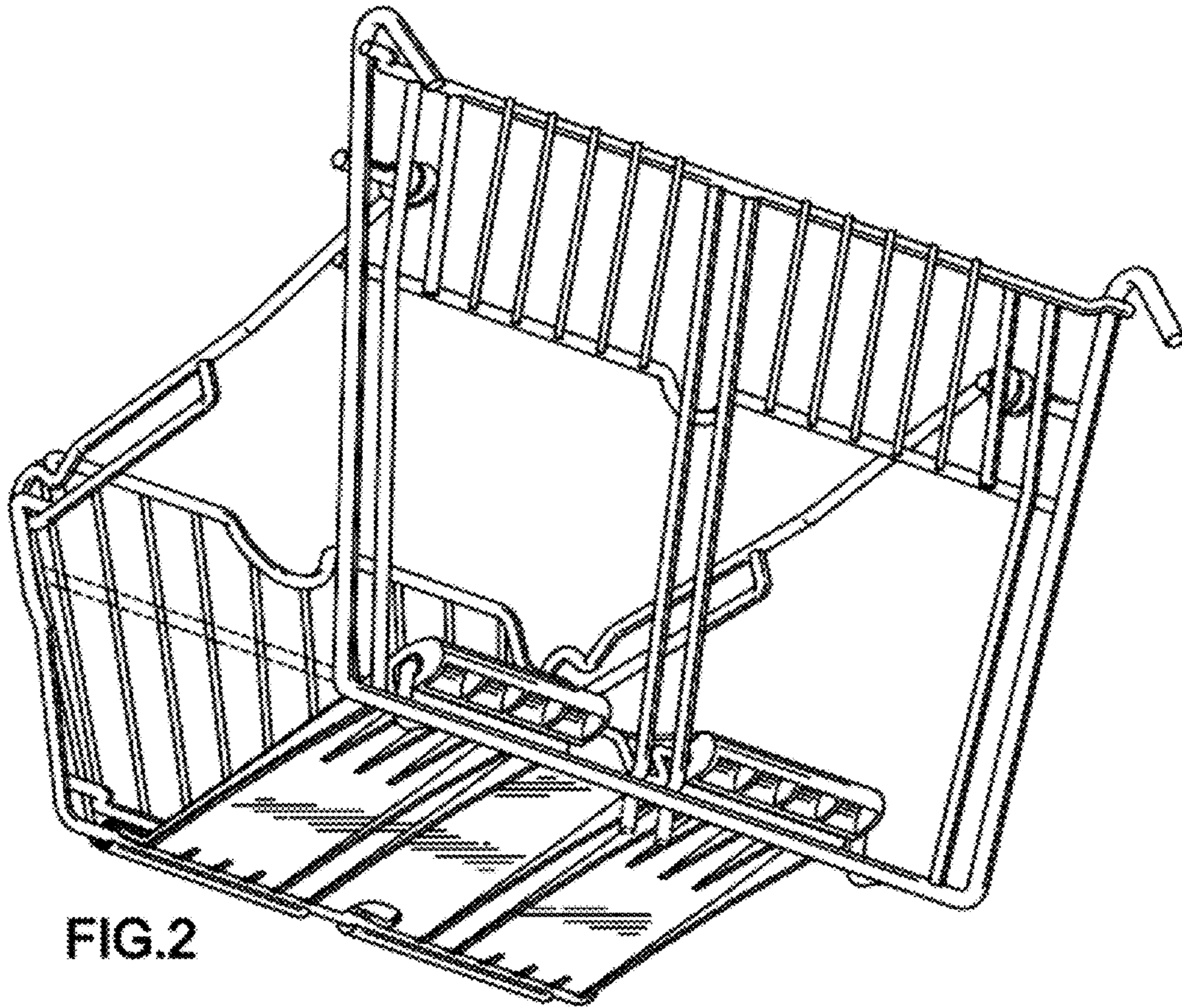


FIG. 2

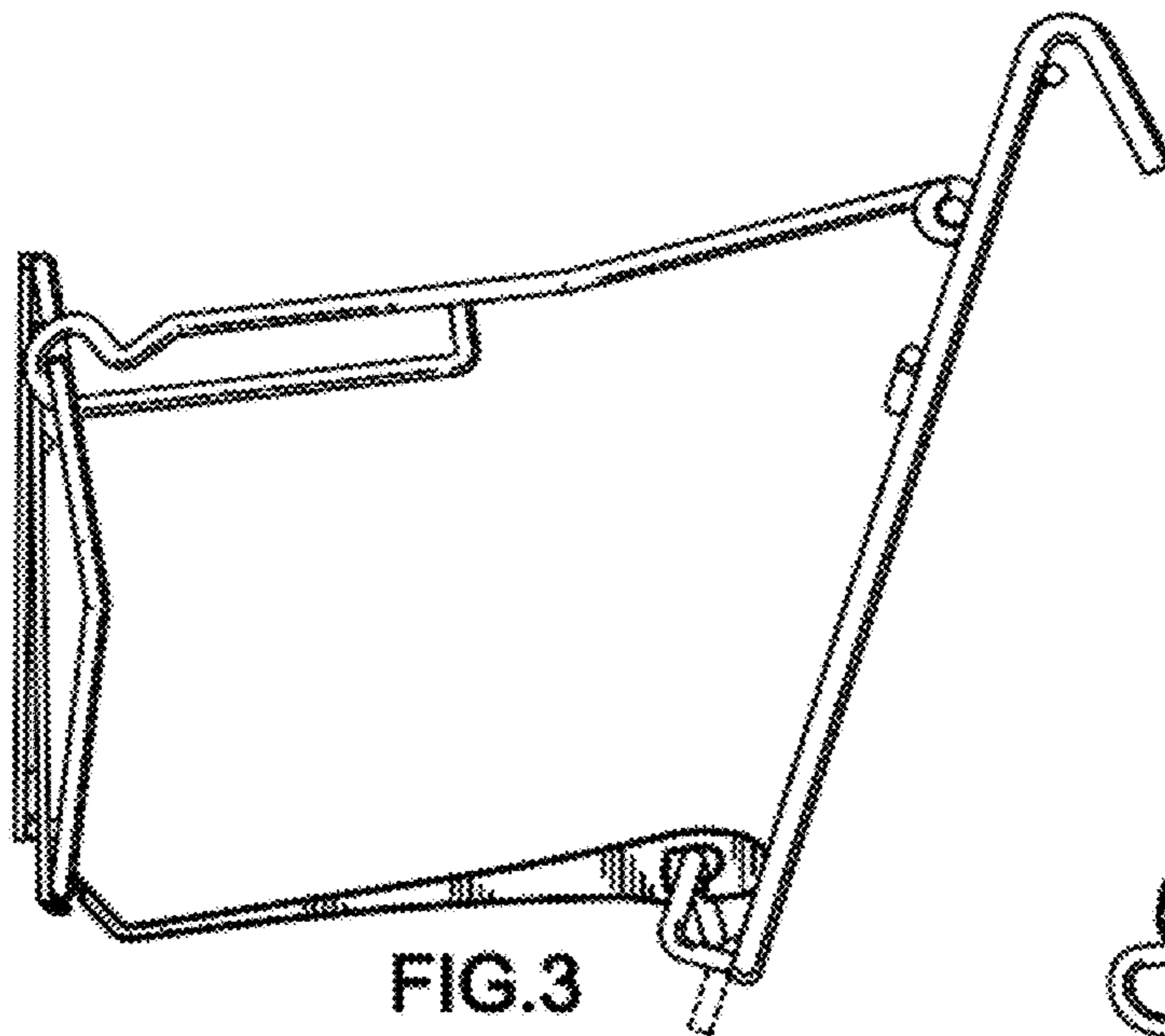


FIG. 3

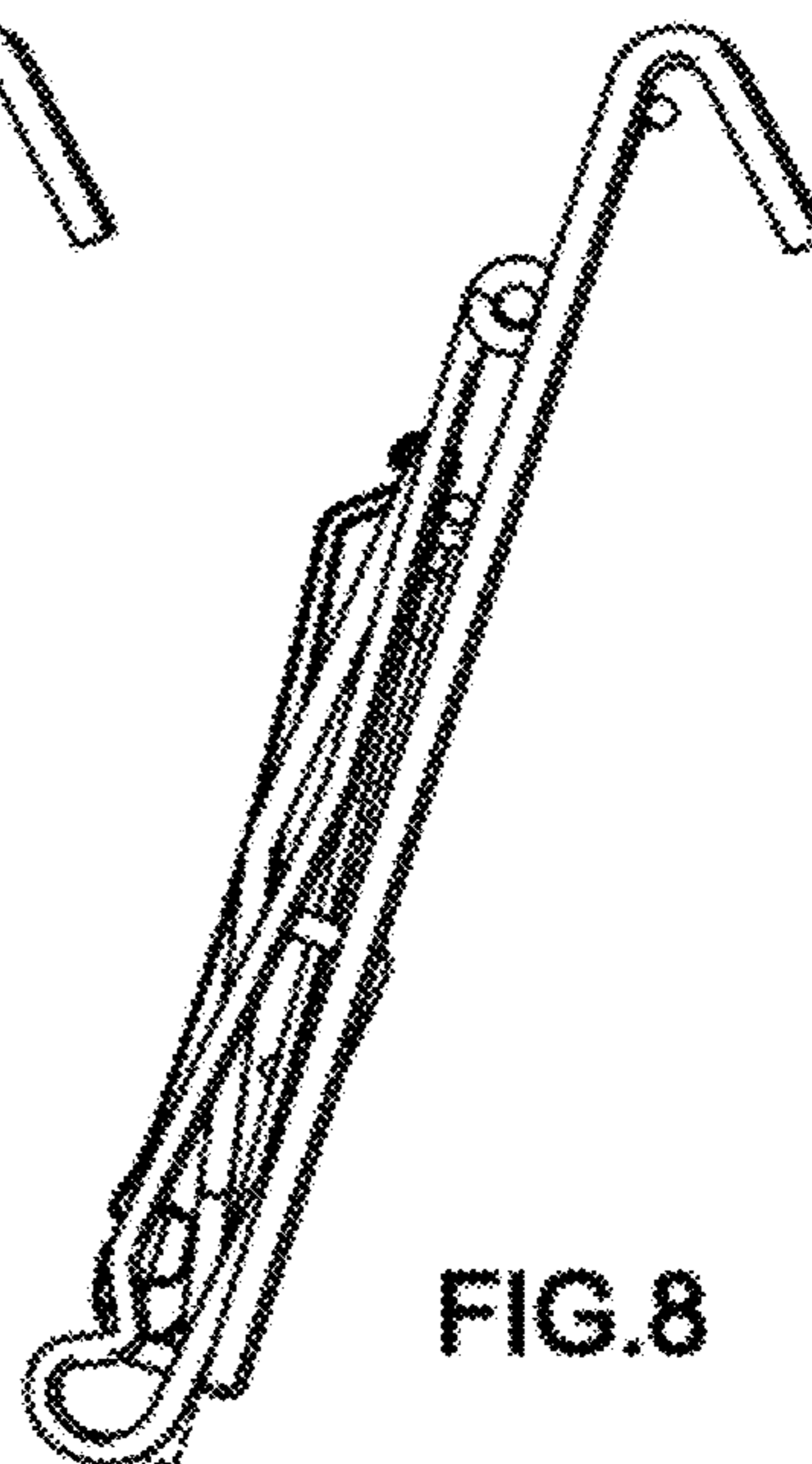


FIG. 8

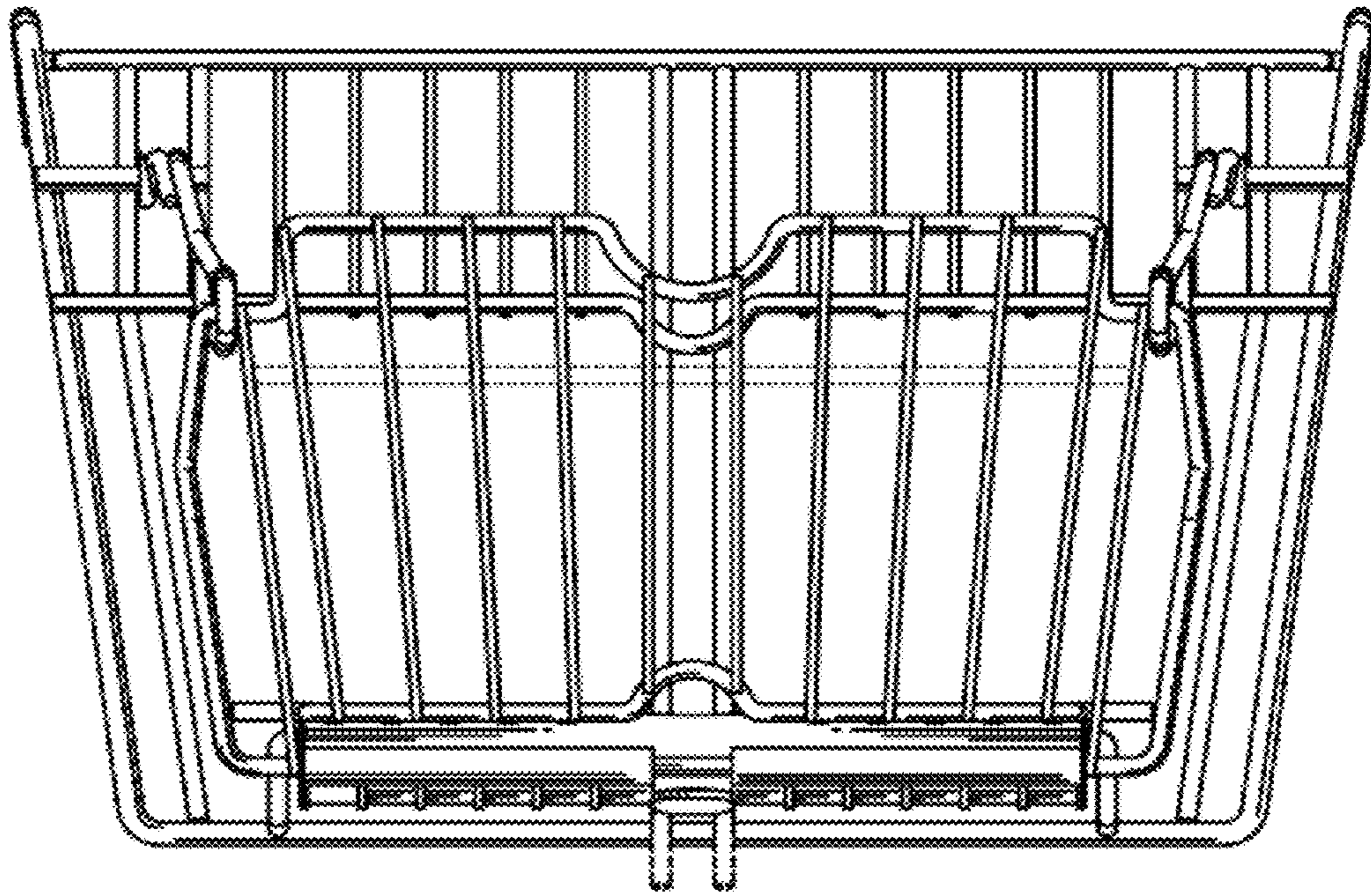


FIG. 4

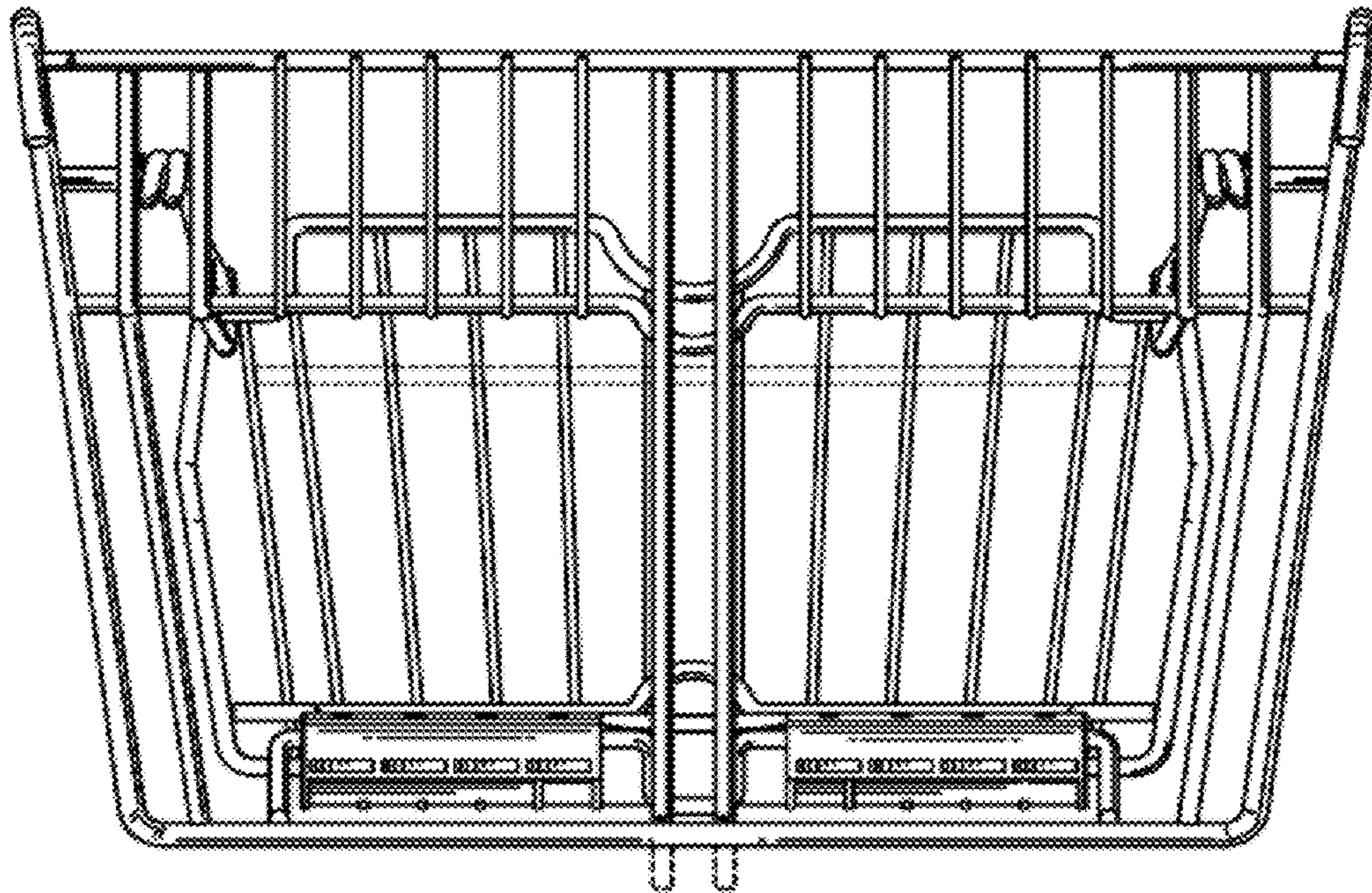


FIG. 5

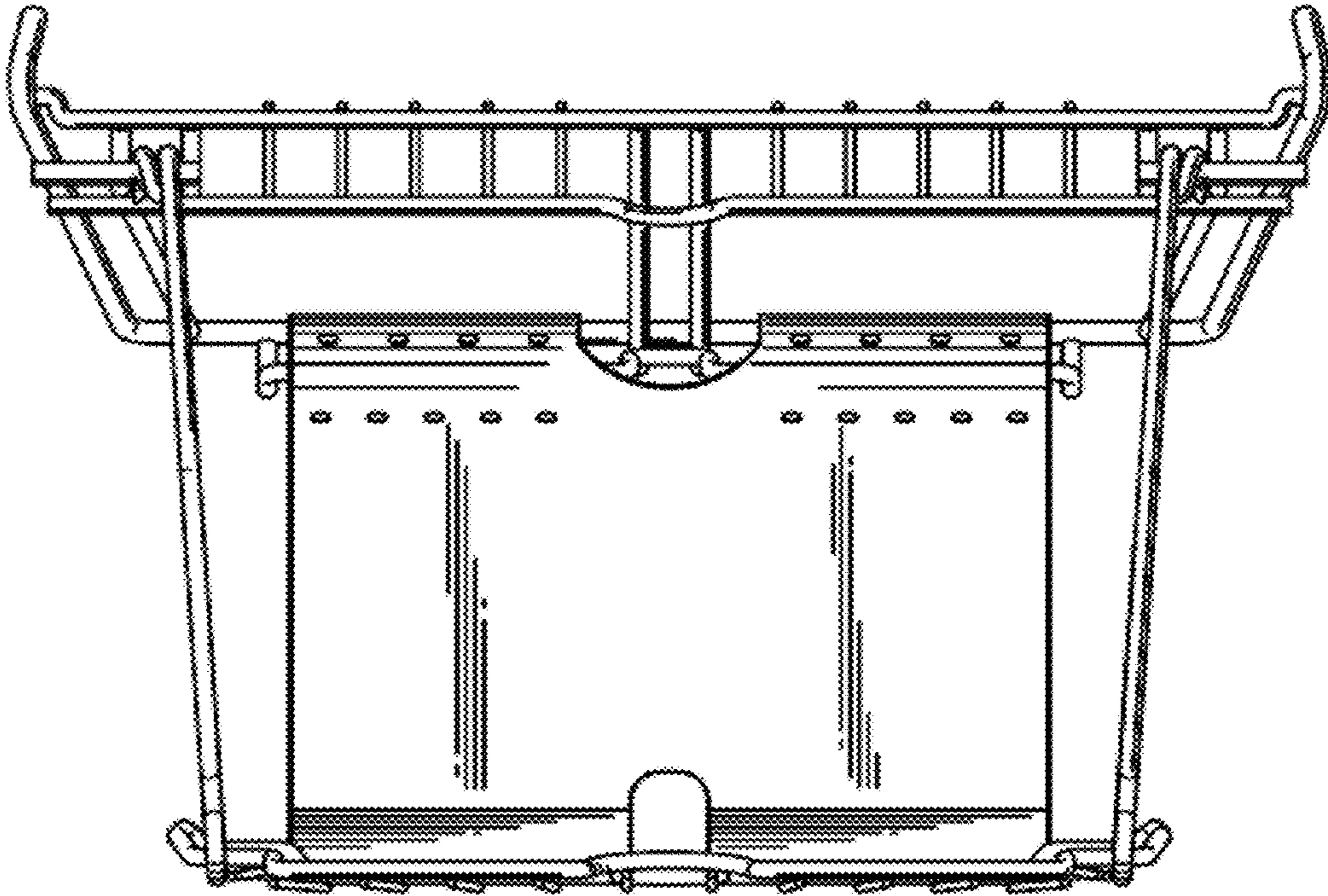


FIG. 6

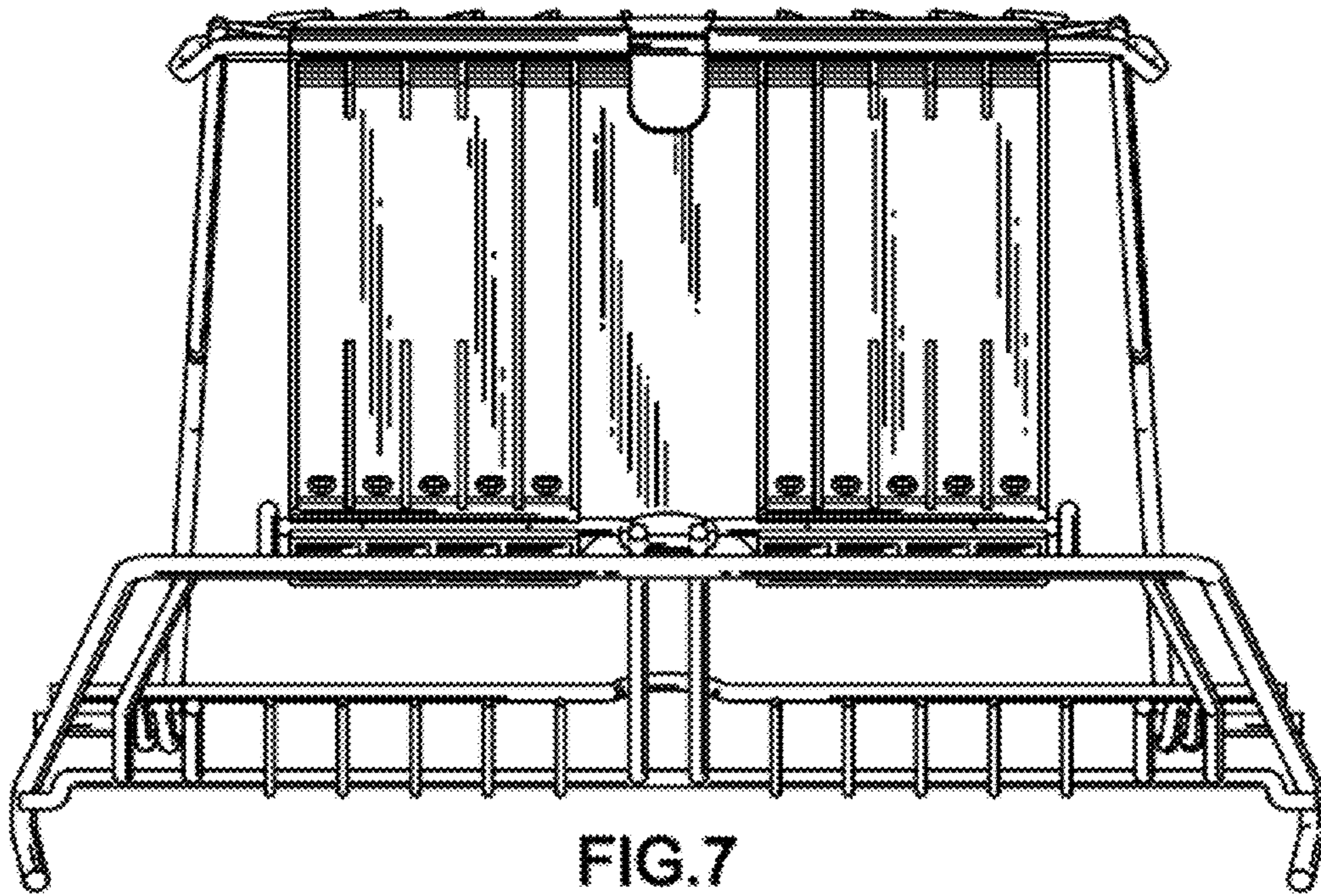


FIG. 7

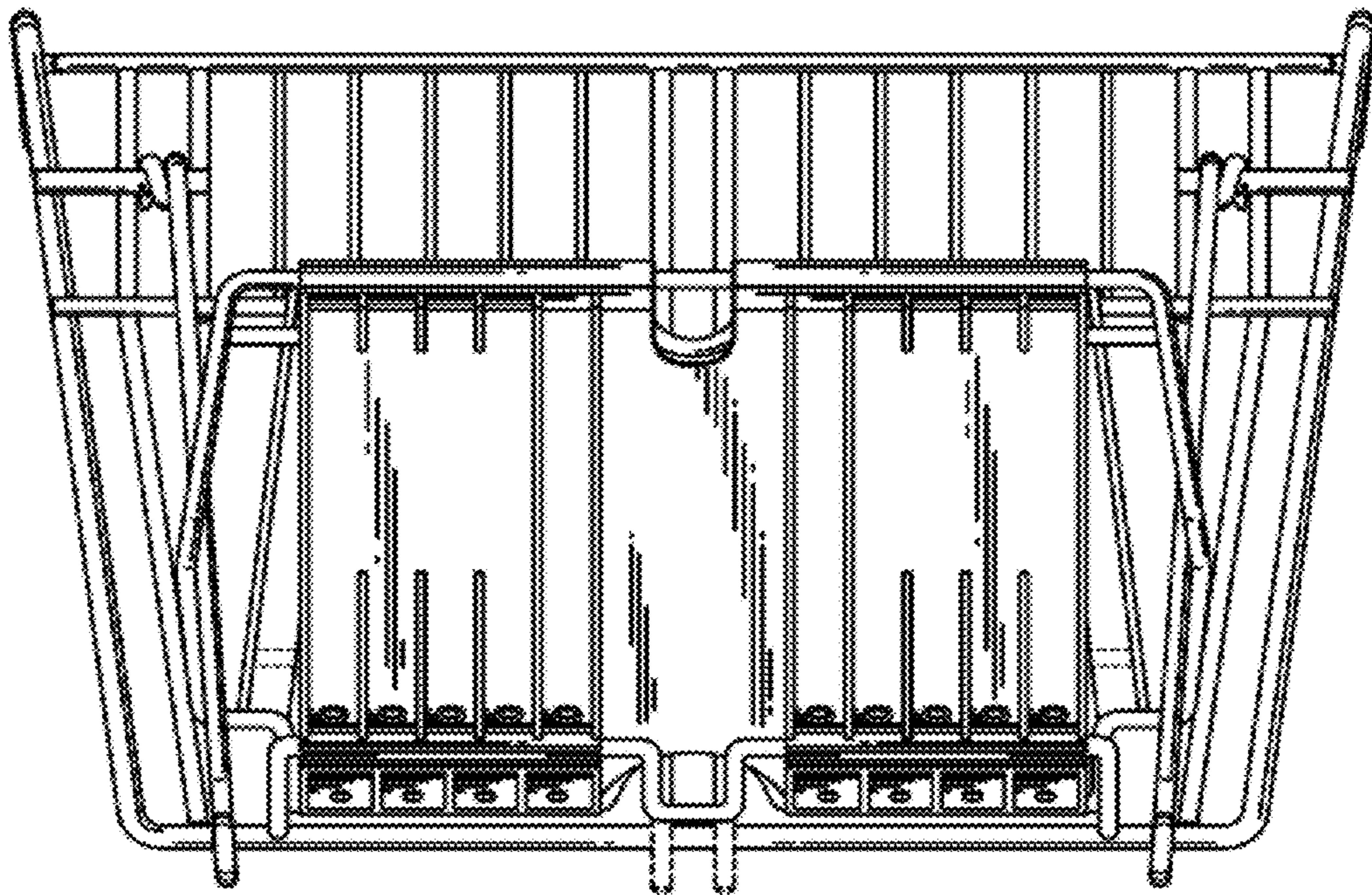


FIG. 9

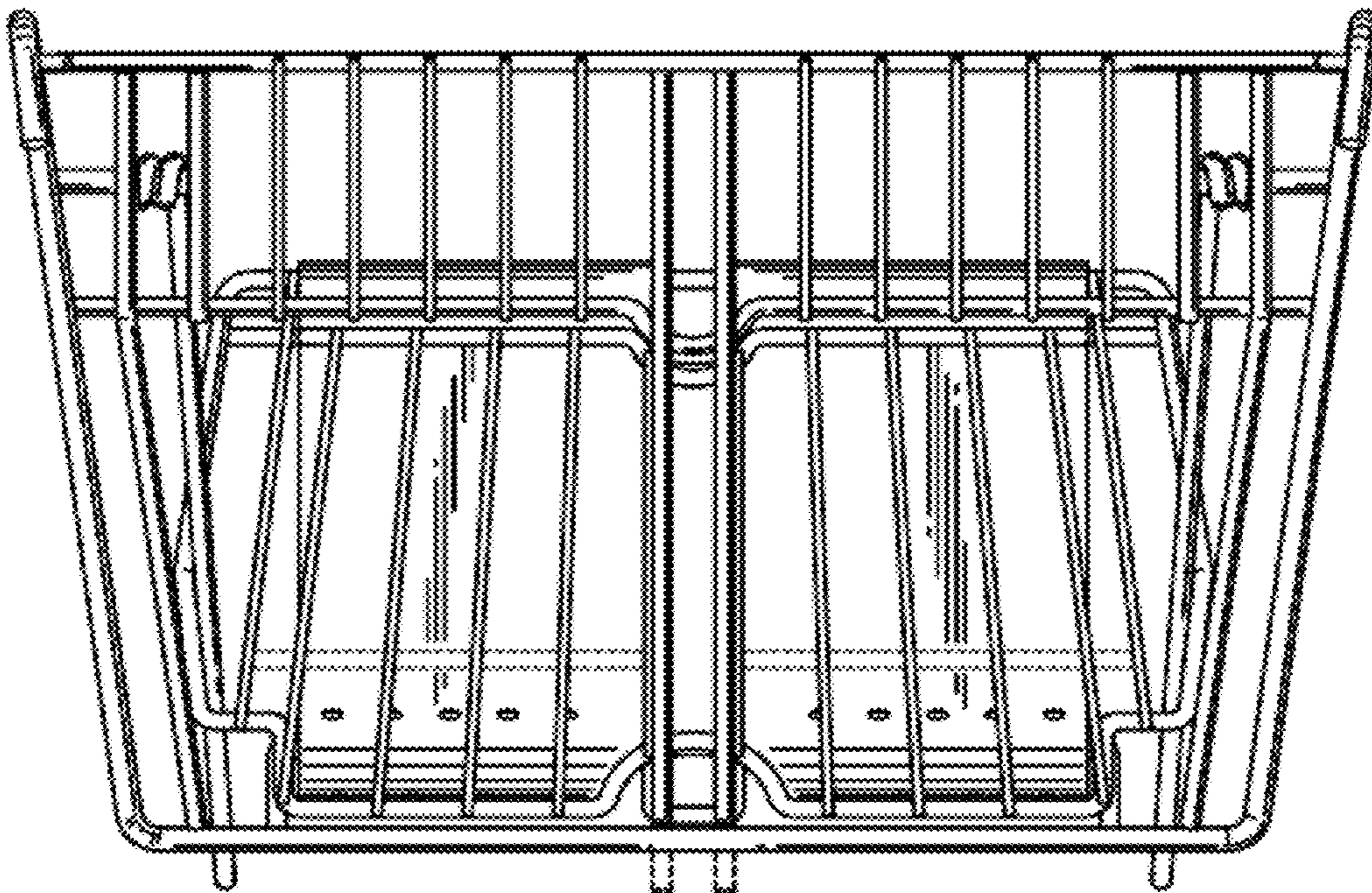


FIG. 10