



US00D658840S

(12) **United States Design Patent**
Nadeau

(10) **Patent No.:** **US D658,840 S**

(45) **Date of Patent:** **** May 1, 2012**

(54) **UTILITY CART**

(76) Inventor: **Rosemarie Nadeau**, Neptune, NJ (US)

(**) Term: **14 Years**

(21) Appl. No.: **29/373,676**

(22) Filed: **May 10, 2011**

(51) **LOC (9) Cl.** **12-02**

(52) **U.S. Cl.** **D34/12**

(58) **Field of Classification Search** D34/12-27;
280/79.2, 79.3, 47.34, 47.35; D6/474, 481;
108/59, 106, 107; 211/133.1, 126.1

See application file for complete search history.

(56) **References Cited**

U.S. PATENT DOCUMENTS

4,578,709	A *	3/1986	Lang et al.	348/197
4,595,107	A *	6/1986	Welsch	211/187
4,620,637	A *	11/1986	Karashima	211/188
4,653,651	A *	3/1987	Flum	211/59.4
4,998,023	A *	3/1991	Kitts	280/47.35
D371,879	S *	7/1996	Linder	D34/21

D493,019	S *	7/2004	Lovegrove et al.	D34/17
D578,269	S *	10/2008	Van Landingham, Jr.	D34/17
D585,621	S *	1/2009	Taillon	D34/21
D616,551	S *	5/2010	Fallon et al.	D24/185
D640,436	S *	6/2011	Perelli et al.	D34/17
2005/0046133	A1 *	3/2005	Braucke et al.	280/47.35

* cited by examiner

Primary Examiner — Cynthia Ramirez

(74) *Attorney, Agent, or Firm* — Charles I. Brodsky

(57) **CLAIM**

The ornamental design for a utility cart, as shown and described.

DESCRIPTION

FIG. 1 is a front elevation view of a utility cart showing my new design;

FIG. 2 is a rear elevation view thereof;

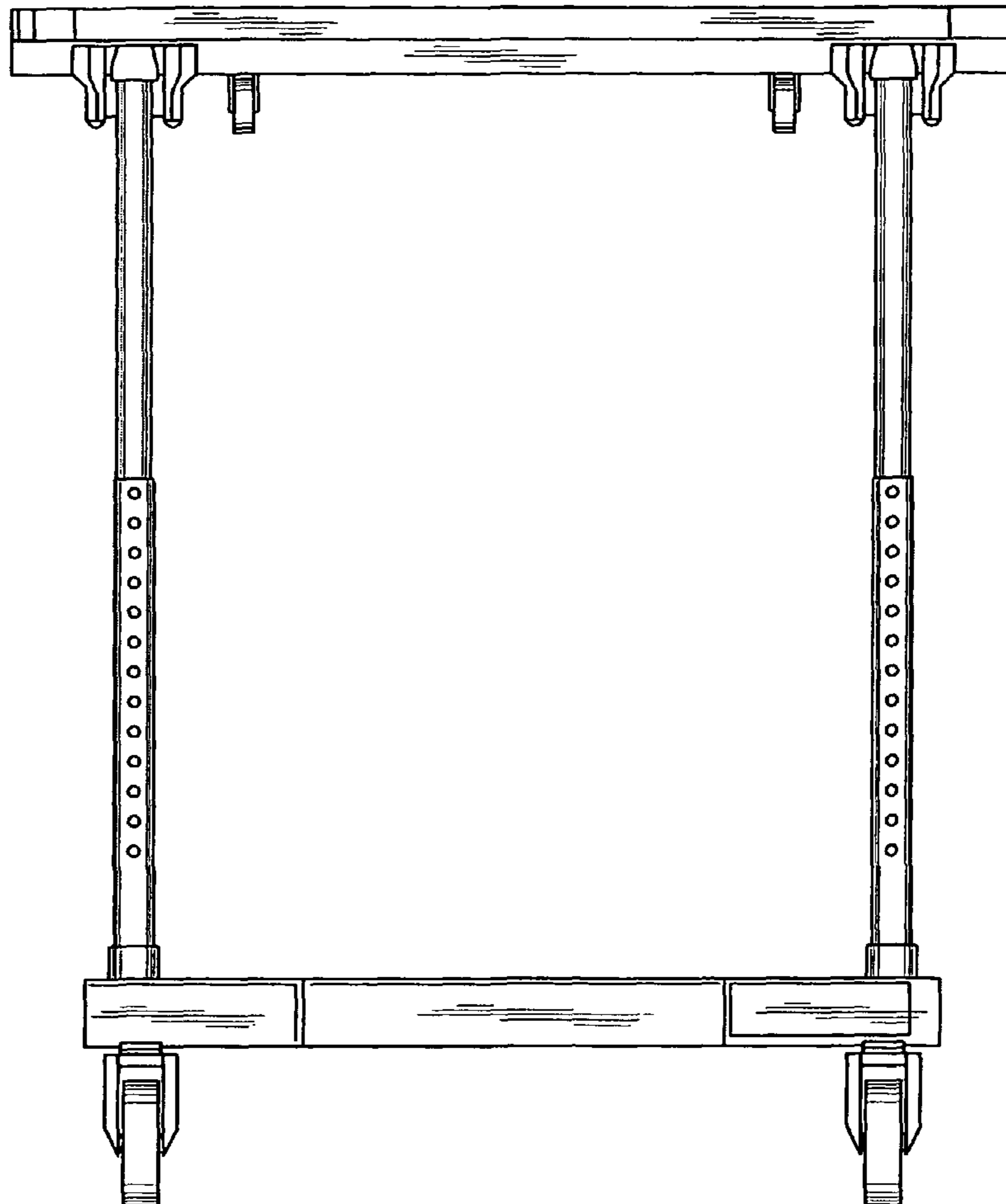
FIG. 3 is a left side elevation view thereof;

FIG. 4 is a right side elevation view thereof;

FIG. 5 is a top plan view thereof; and,

FIG. 6 is a front perspective view showing my new design.

1 Claim, 6 Drawing Sheets



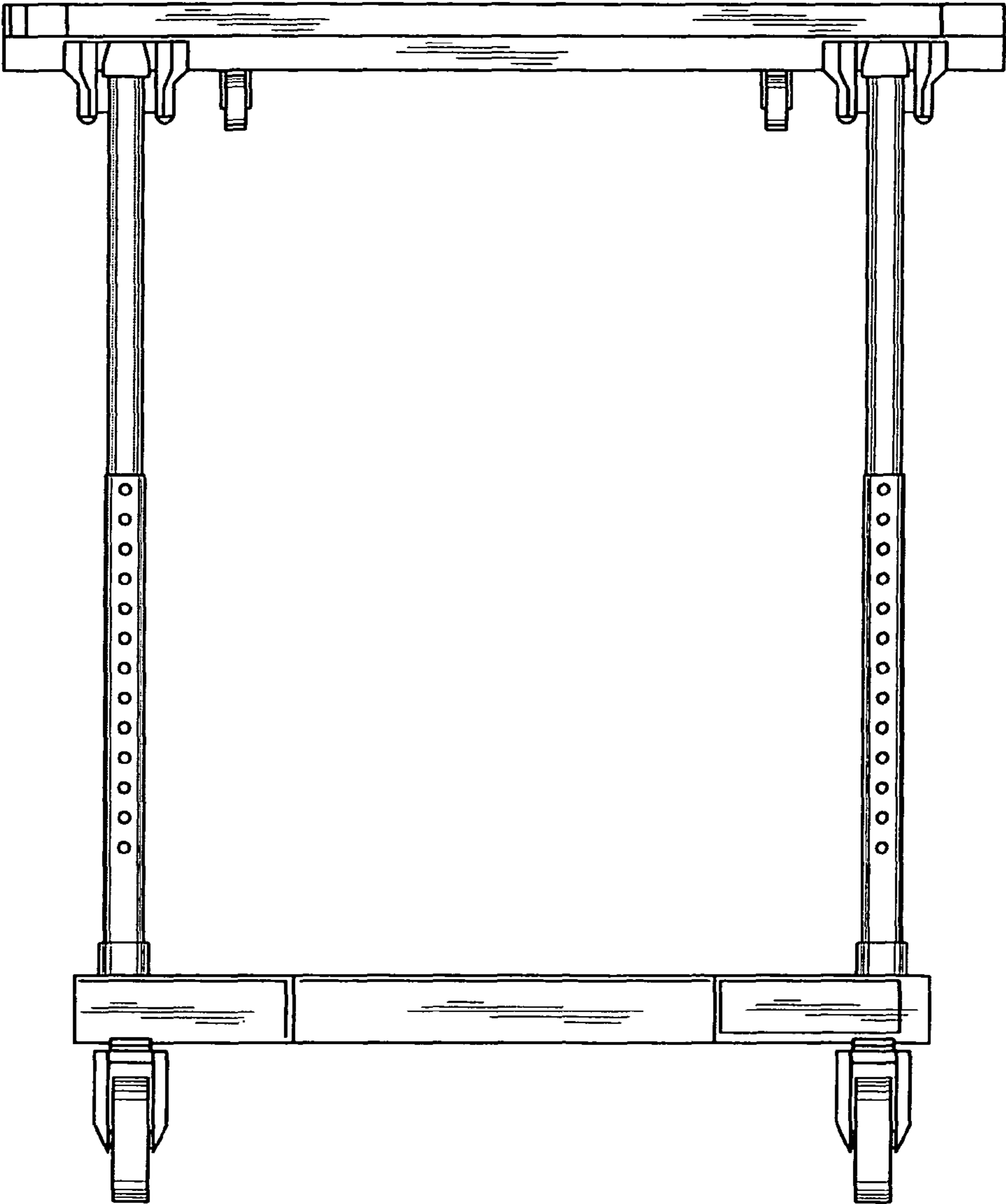


FIG. 1

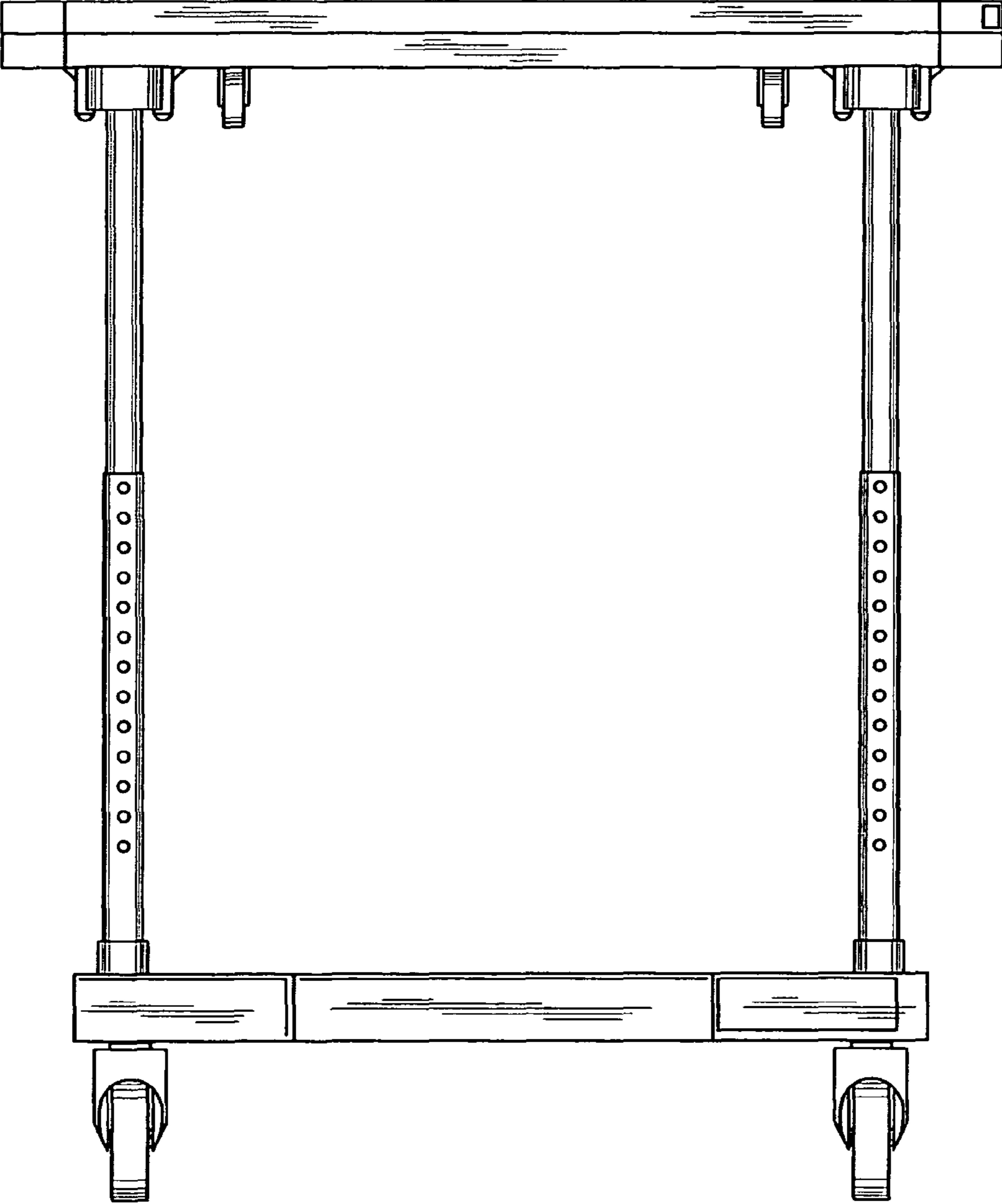


FIG. 2

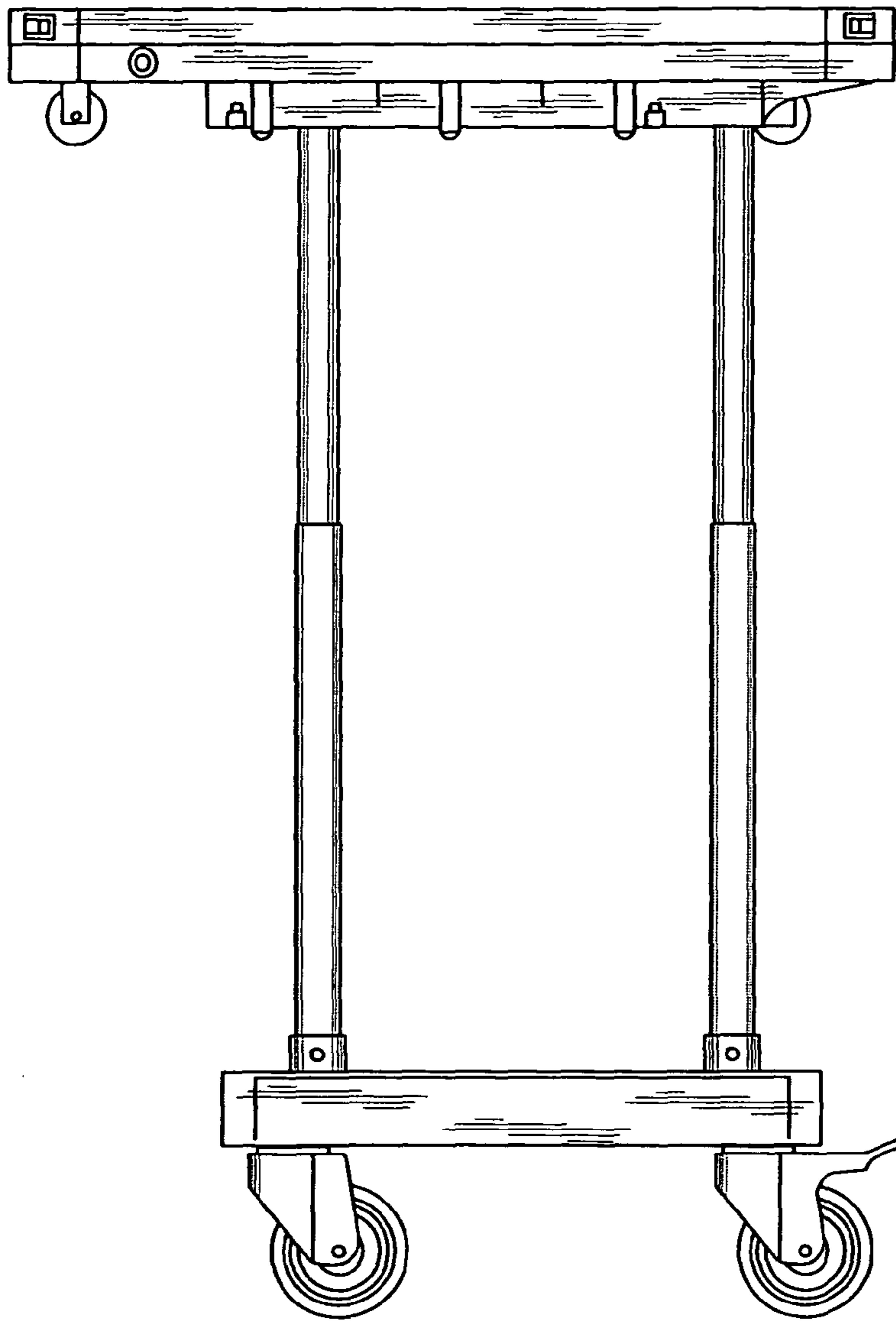


FIG. 3

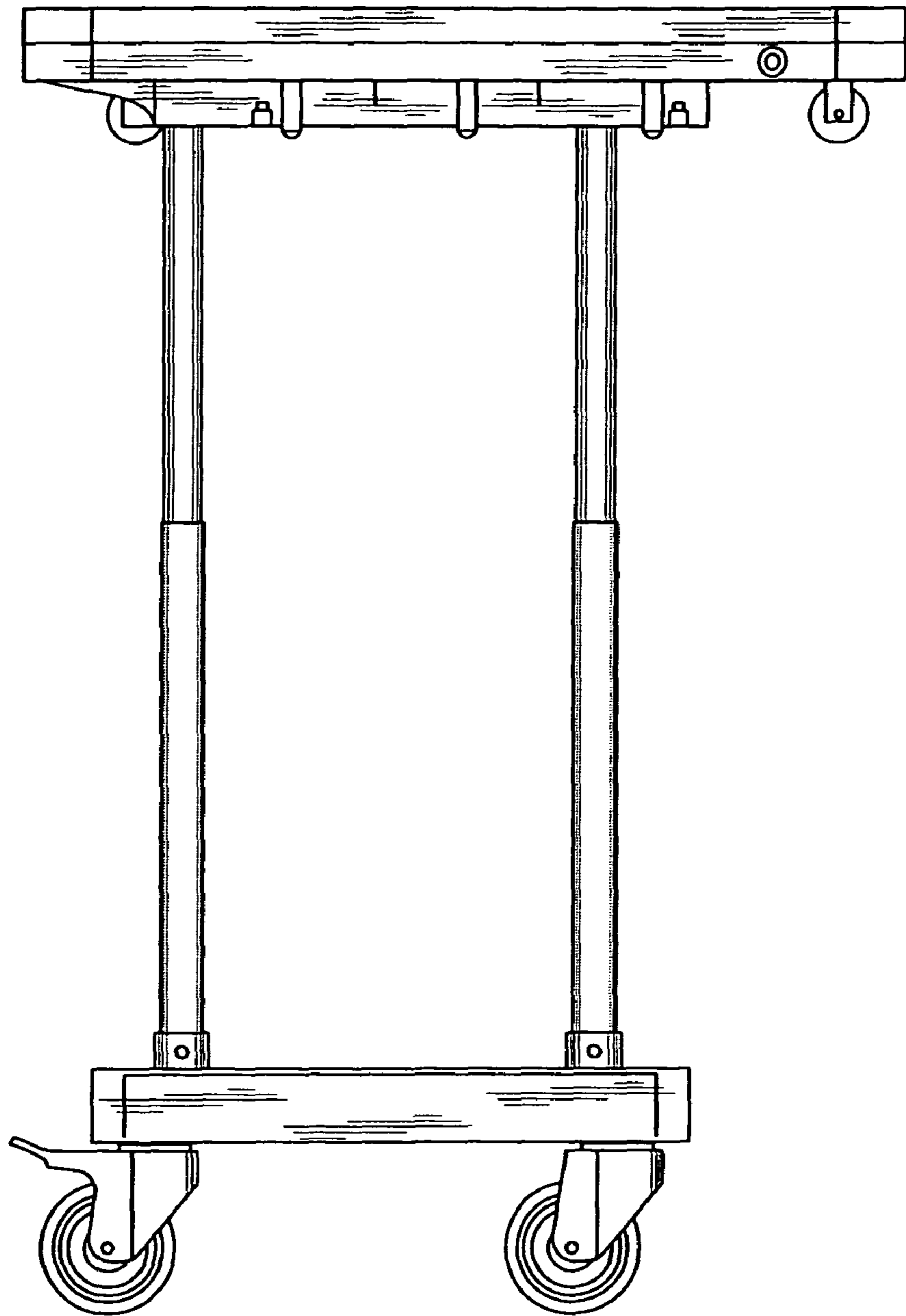


FIG. 4

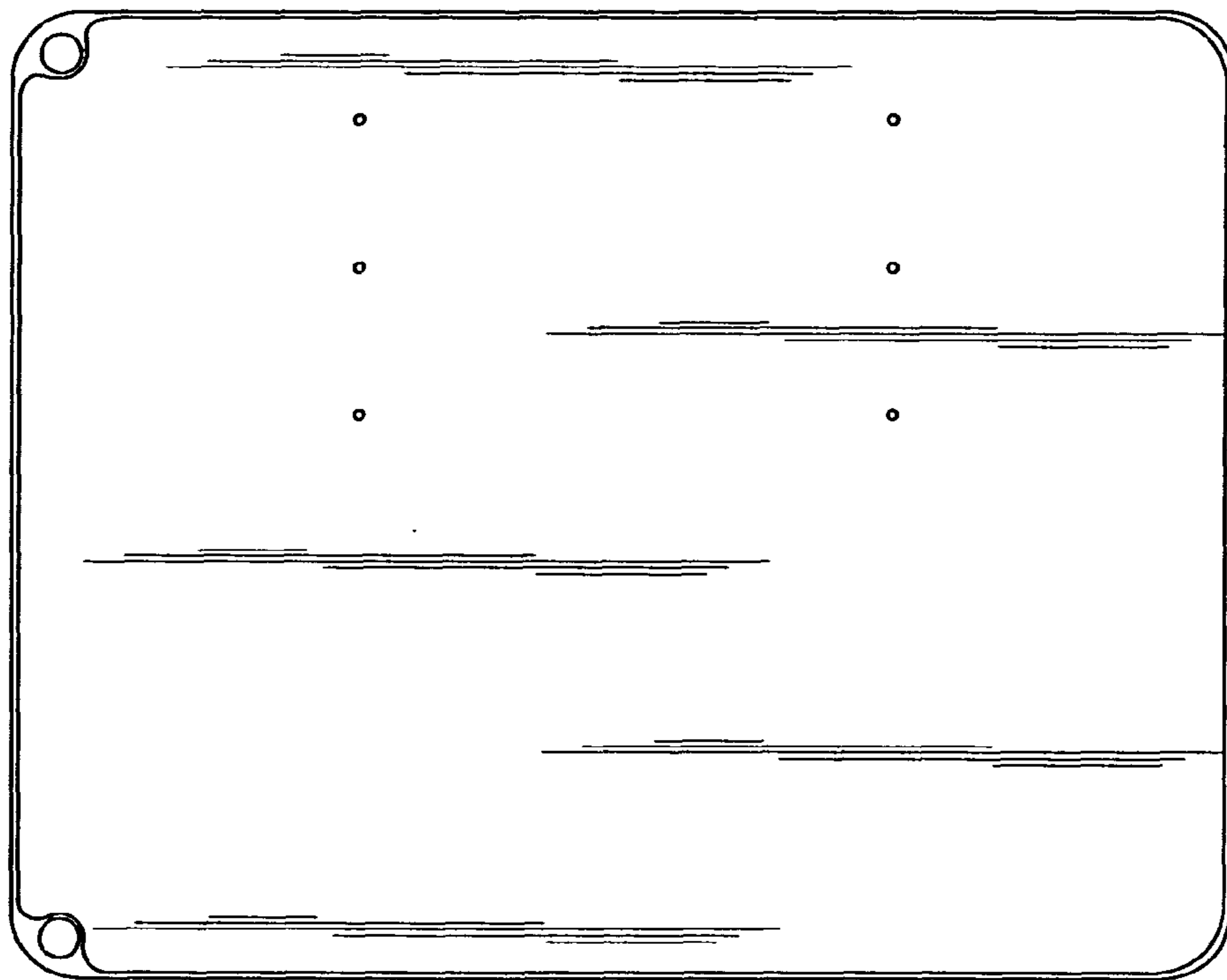


FIG. 5

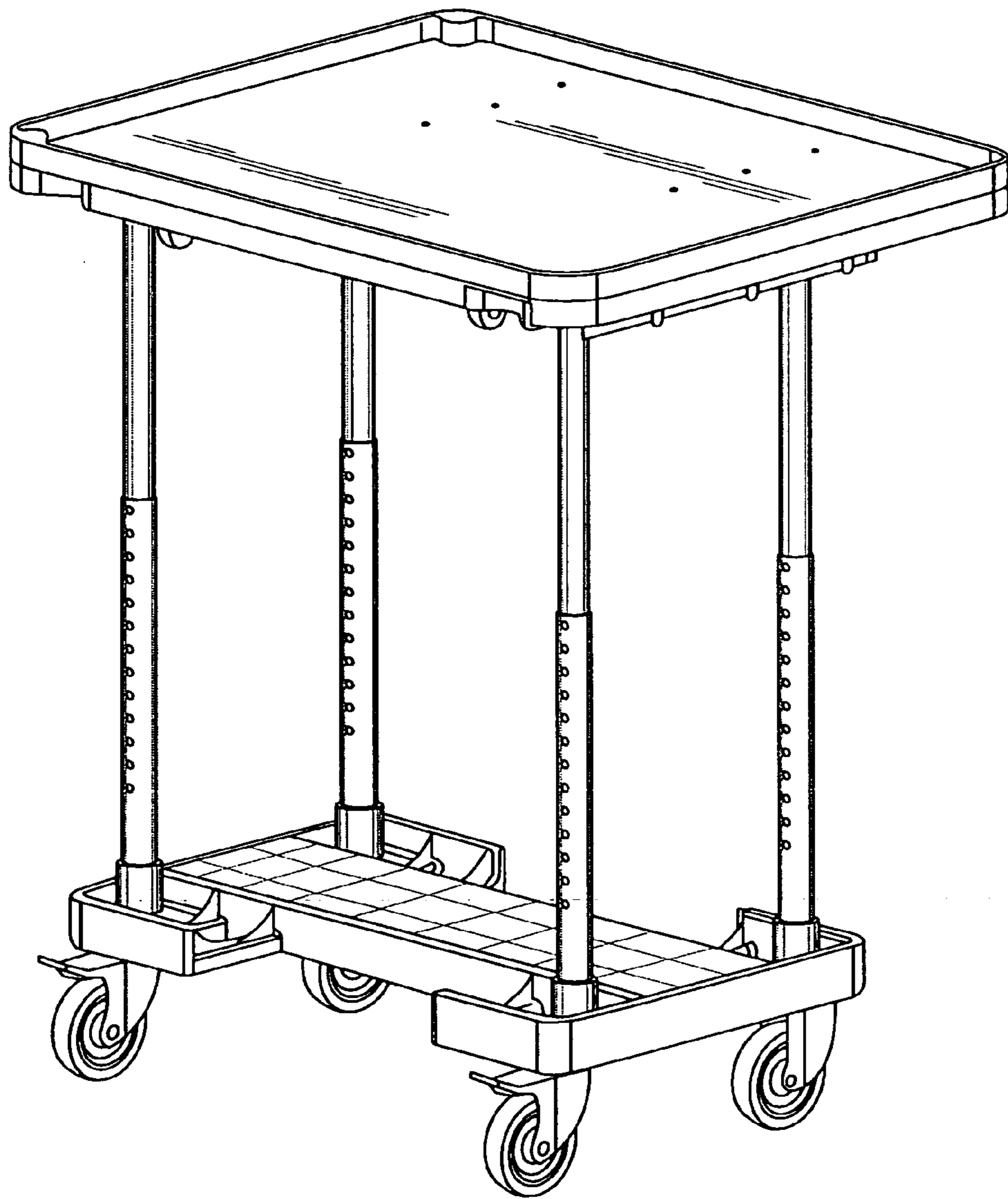


FIG. 6