



US00D658839S

(12) **United States Design Patent**
Cohn

(10) **Patent No.:** **US D658,839 S**

(45) **Date of Patent:** **** May 1, 2012**

(54) **COMPOST MACHINE**

(75) Inventor: **Russell S. Cohn**, San Francisco, CA
(US)

(73) Assignee: **Nature Mill, Inc.**, San Francisco, CA
(US)

(**) Term: **14 Years**

(21) Appl. No.: **29/391,112**

(22) Filed: **May 3, 2011**

(51) **LOC (9) Cl.** **09-09**

(52) **U.S. Cl.** **D34/7**

(58) **Field of Classification Search** D34/1,
D34/5, 6, 7, 8, 9, 10, 11; 220/908, 908.1,
220/911, 913; 435/289.1, 290.2

See application file for complete search history.

(56) **References Cited**

U.S. PATENT DOCUMENTS

D161,649	S *	1/1951	Riordan	D34/9
4,436,817	A	3/1984	Nemetz et al.		
5,517,767	A	5/1996	Schechinger et al.		
D386,904	S *	12/1997	Bradshaw, Jr.	D3/273
D576,371	S *	9/2008	Zimmerman	D34/7
D641,119	S *	7/2011	Rampton et al.	D34/1
D644,389	S *	8/2011	Roberts et al.	D34/7
2008/0209967	A1 *	9/2008	Cohn	71/9

OTHER PUBLICATIONS

Bowers, Nathan Andrew, United States Patent & Trademark Office, Office Action mailed Aug. 22, 2011, for application No. 11/988,661, 15 pgs.

Notice of Allowance dated Dec. 12, 2011, U.S. Appl. No. 11/998,661, filed Nov. 30, 2007, 10 pages.

* cited by examiner

Primary Examiner — Cynthia Ramirez

(74) *Attorney, Agent, or Firm* — Haverstock & Owens LLP

(57) **CLAIM**

I claim the ornamental design for a compost machine, as shown and described.

DESCRIPTION

FIG. 1 is a front elevational view of the compost machine showing my new design;

FIG. 2 is a rear elevational view thereof;

FIG. 3 is a top plan view thereof;

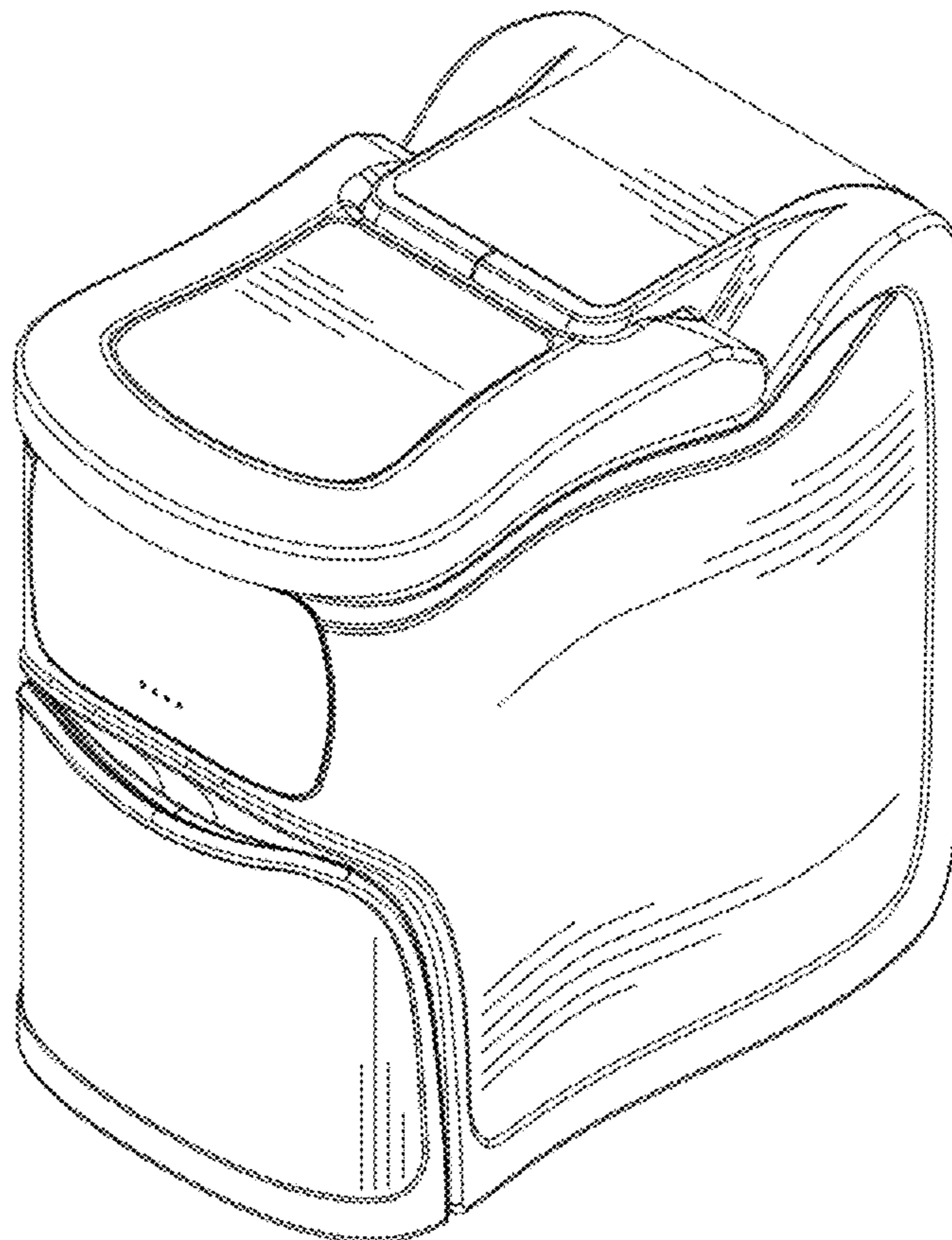
FIG. 4 is a left side elevational view thereof;

FIG. 5 is a right side elevational view thereof; and,

FIG. 6 is a top-right perspective view thereof.

The portions of the compost machine shown in broken lines form no part of the claimed design.

1 Claim, 6 Drawing Sheets



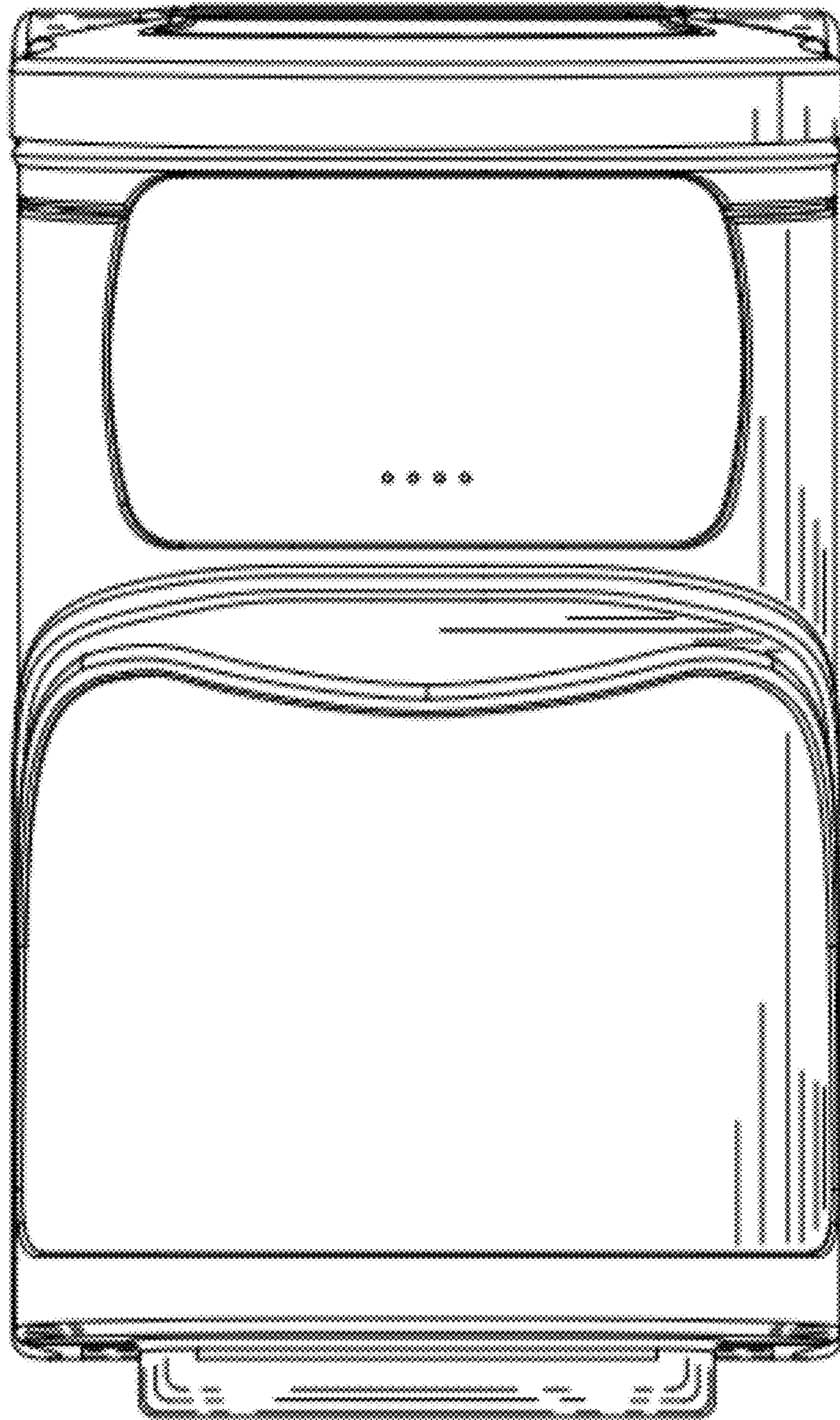


Fig. 1

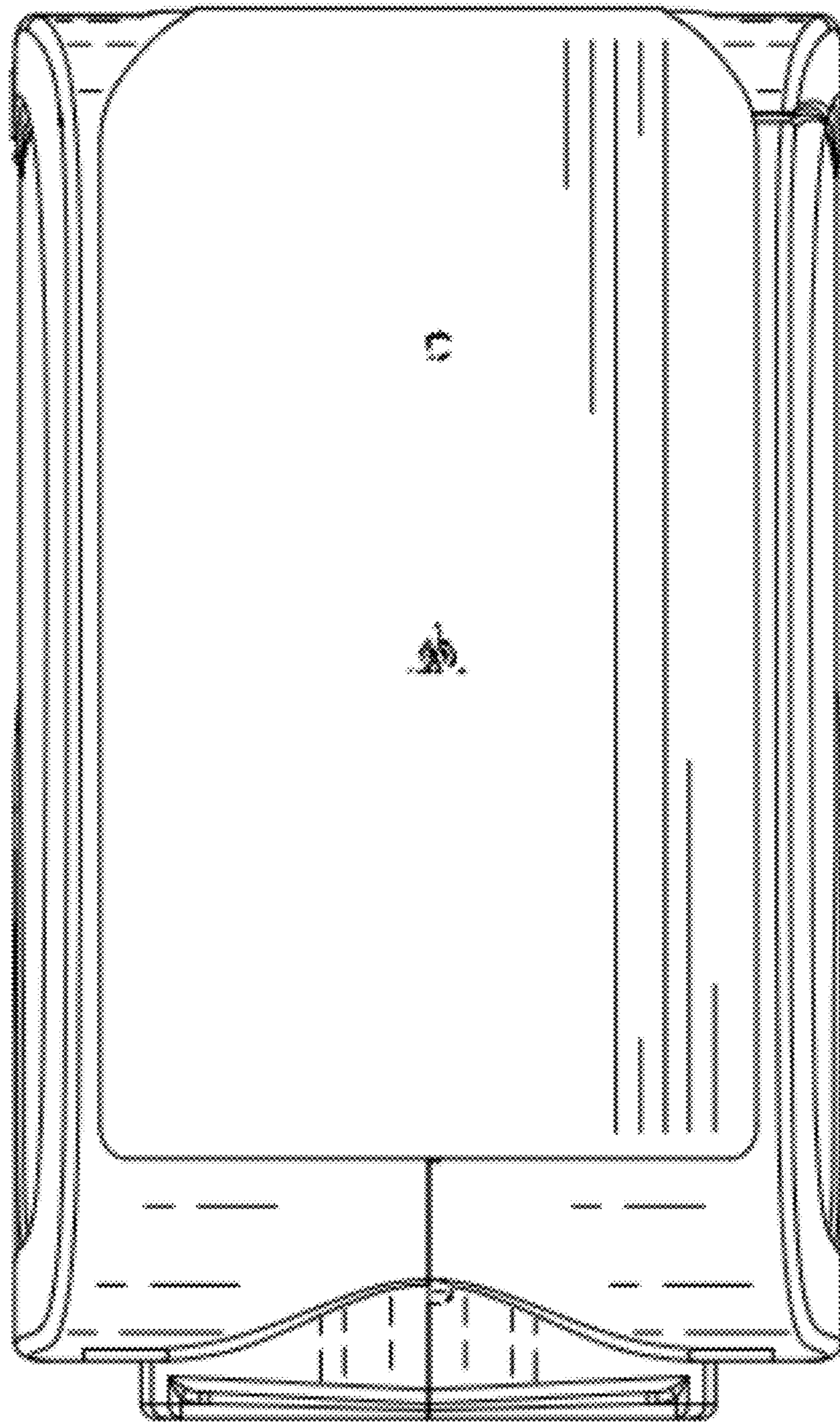


Fig. 2

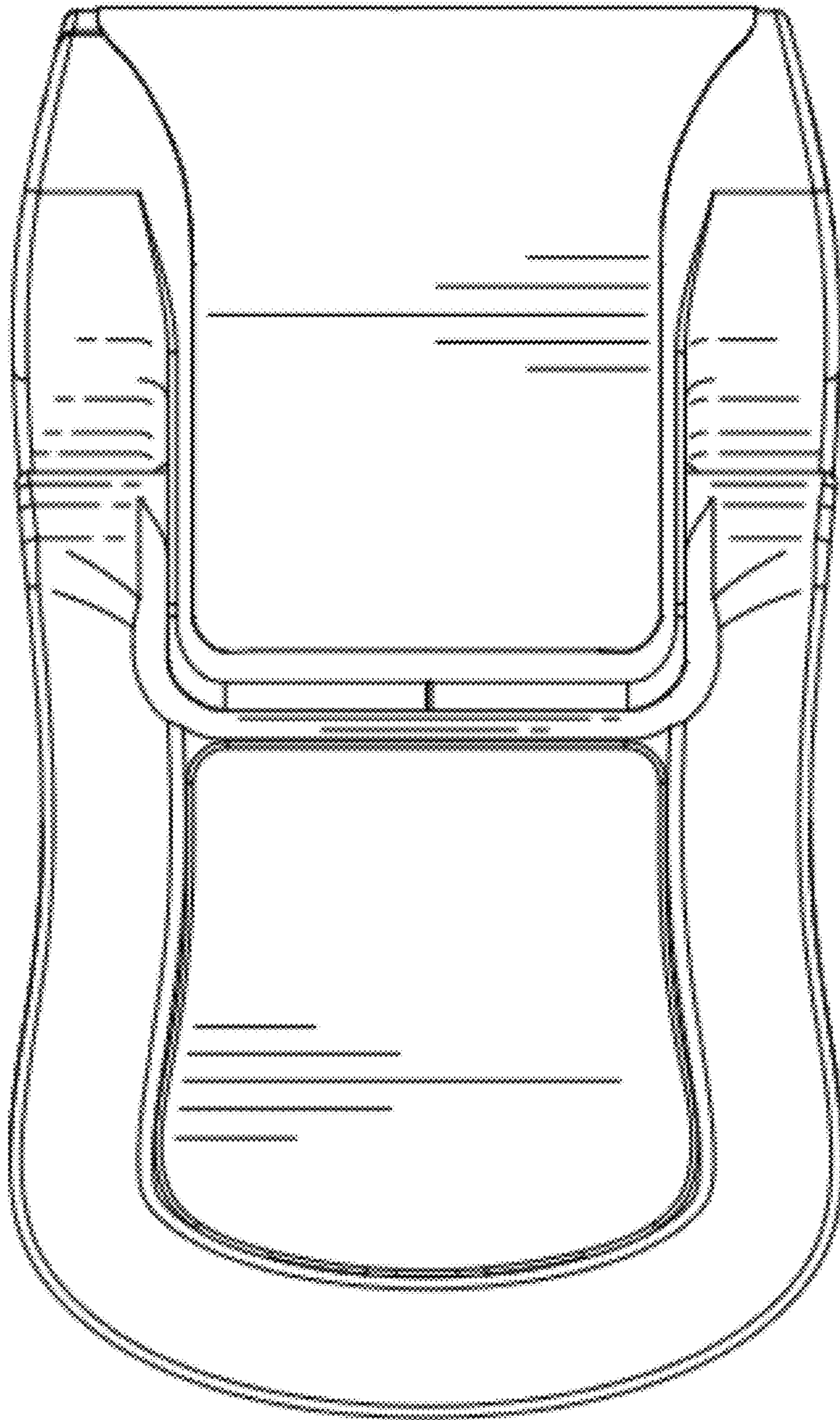


Fig. 3

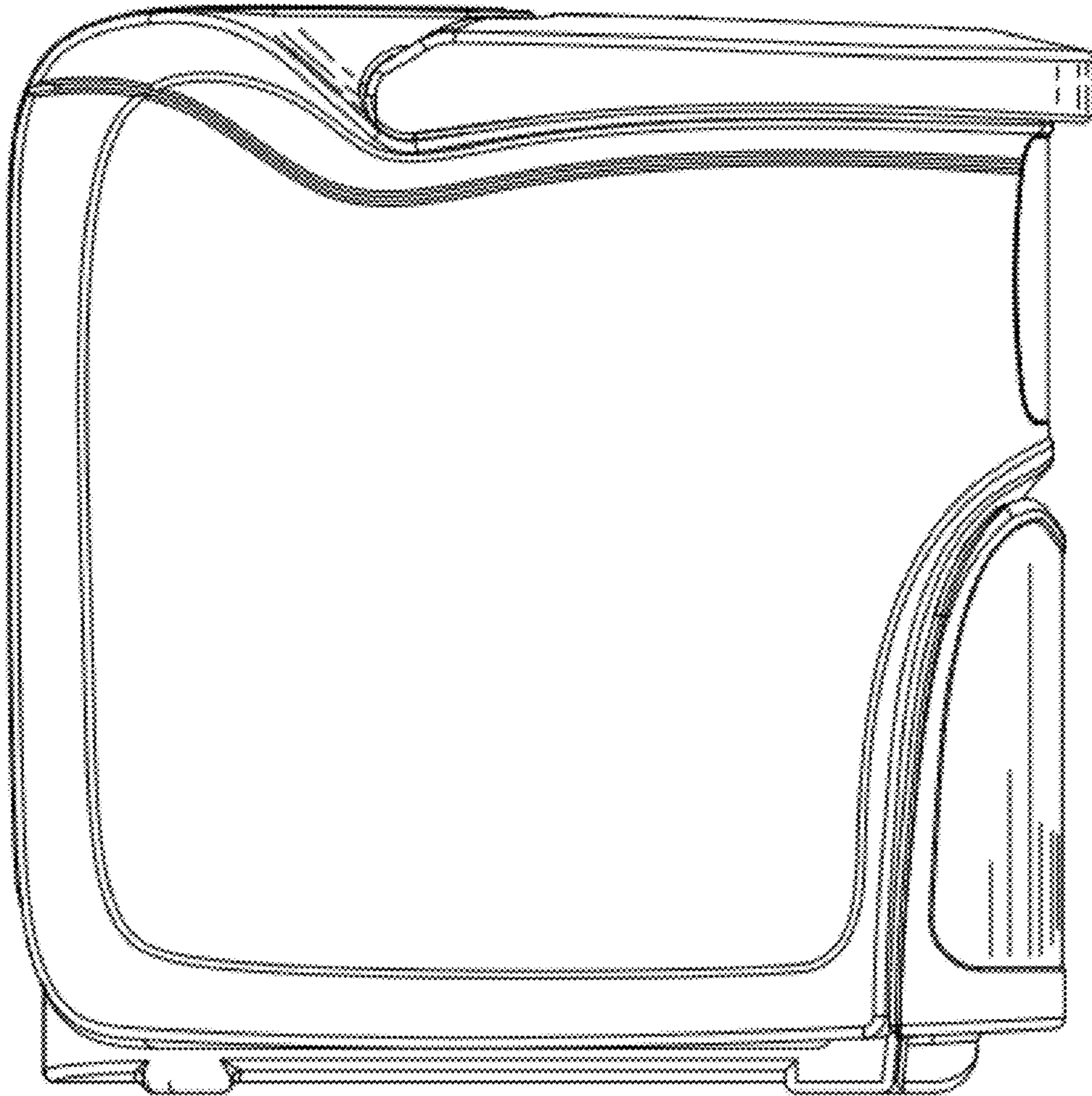


Fig. 4

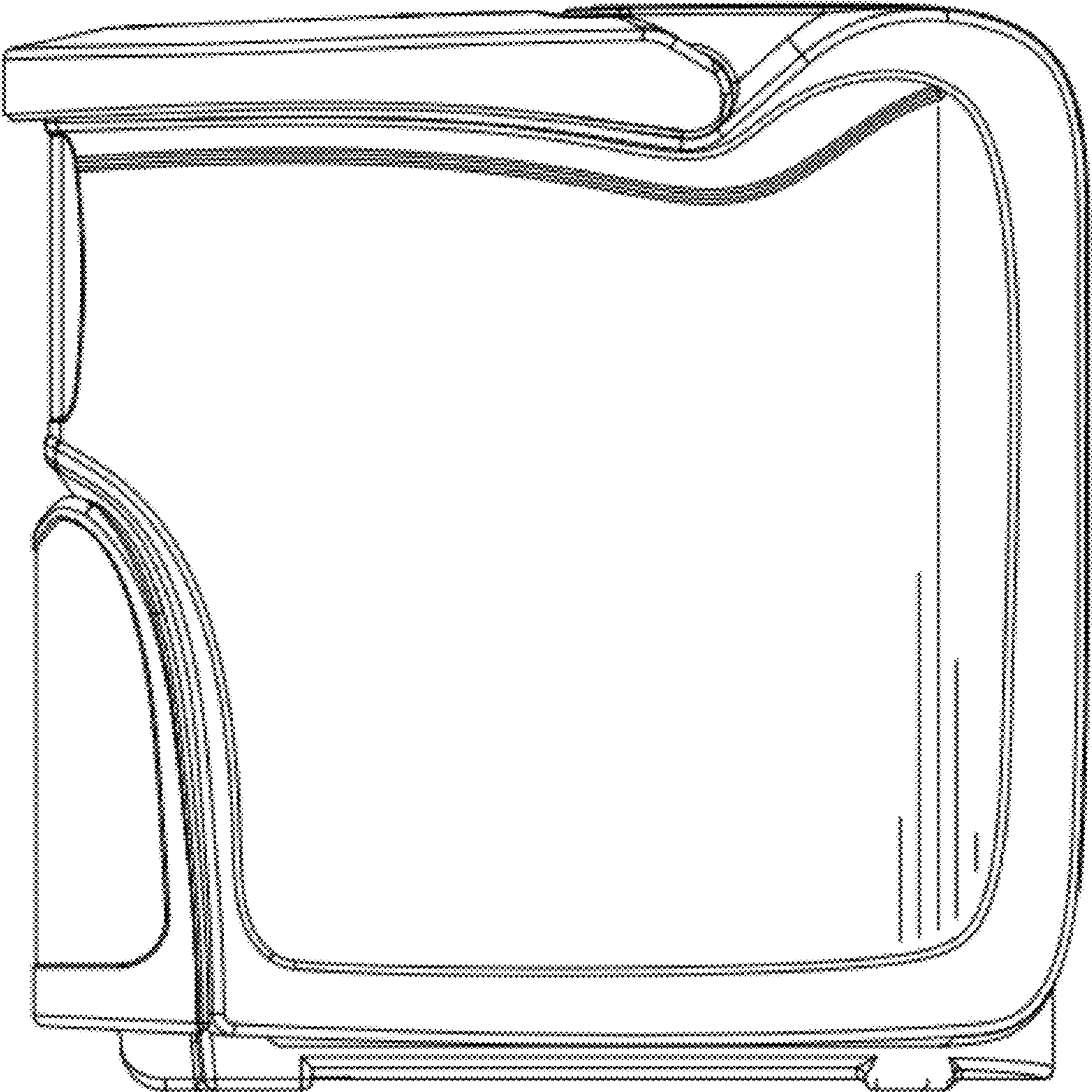


Fig. 5



Fig. 6