



US00D658836S

(12) **United States Design Patent**
Ediger et al.

(10) **Patent No.:** **US D658,836 S**

(45) **Date of Patent:** **** May 1, 2012**

(54) **SCRUBBING PAD**

(75) Inventors: **Glen W. Ediger**, North Newton, KS
(US); **Gary P. Israel**, Andover, KS (US)

(73) Assignee: **Vornado Air, LLC**, Andover, KS (US)

(**) Term: **14 Years**

(21) Appl. No.: **29/381,456**

(22) Filed: **Dec. 20, 2010**

(51) **LOC (9) Cl.** **04-01**

(52) **U.S. Cl.** **D32/50**

(58) **Field of Classification Search** D32/50,
D32/51, 39-45, 17; 15/116.1, 116.2, 119.2,
15/147.1, 147.2, 150, 208, 209.1, 210.1,
15/228; 401/137-140

See application file for complete search history.

(56) **References Cited**

U.S. PATENT DOCUMENTS

D195,818 S *	8/1963	Herman et al.	D32/50
D249,821 S *	10/1978	Cooke et al.	D4/199
D296,486 S *	6/1988	Staubitz et al.	D32/22
D299,289 S *	1/1989	Machacek	D4/134
D307,517 S *	5/1990	Mallory et al.	D4/116
5,094,559 A *	3/1992	Rivera et al.	401/132
D358,238 S *	5/1995	Barnett	D32/50
D378,325 S *	3/1997	Camp, Jr.	D4/138

D446,896 S *	8/2001	Cann	D32/40
D544,664 S *	6/2007	Santiago et al.	D32/39
D582,619 S *	12/2008	Kong	D32/50
D625,480 S *	10/2010	Raven	D32/50
2004/0018038 A1 *	1/2004	Schultz et al.	401/139
2004/0020007 A1 *	2/2004	Lausevic	15/420
2004/0111817 A1 *	6/2004	Chen et al.	15/104.94
2004/0184867 A1 *	9/2004	Wang et al.	401/279
2009/0199868 A1 *	8/2009	Cybulski et al.	134/6
2010/0132147 A1 *	6/2010	Young	15/228

* cited by examiner

Primary Examiner — John Windmuller

(74) *Attorney, Agent, or Firm* — Advent IP, P.C., L.L.O.

(57) **CLAIM**

The ornamental design for a scrubbing pad, as shown and described.

DESCRIPTION

FIG. 1 is a front right perspective view of a scrubbing pad showing our new design;

FIG. 2 is a top plan view of the scrubbing pad of FIG. 1;

FIG. 3 is a bottom plan view of the scrubbing pad of FIG. 1;

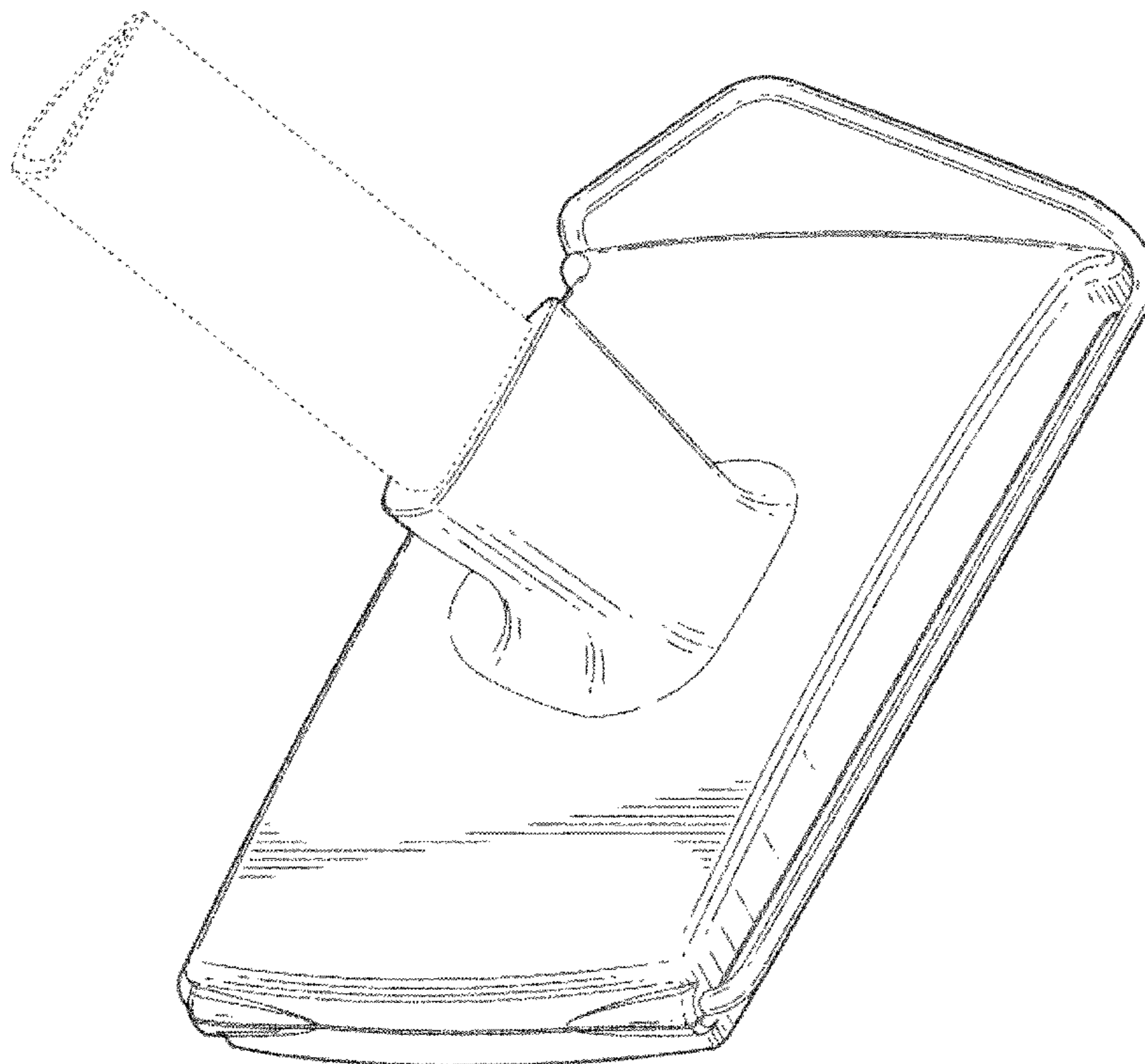
FIG. 4 is a front elevation view of the scrubbing pad of FIG. 1;

FIG. 5 is a rear elevation view of the scrubbing pad;

FIG. 6 is a left elevation view of the scrubbing pad of FIG. 1; and,

FIG. 7 is a right elevation view of the scrubbing pad of FIG. 1.

1 Claim, 7 Drawing Sheets



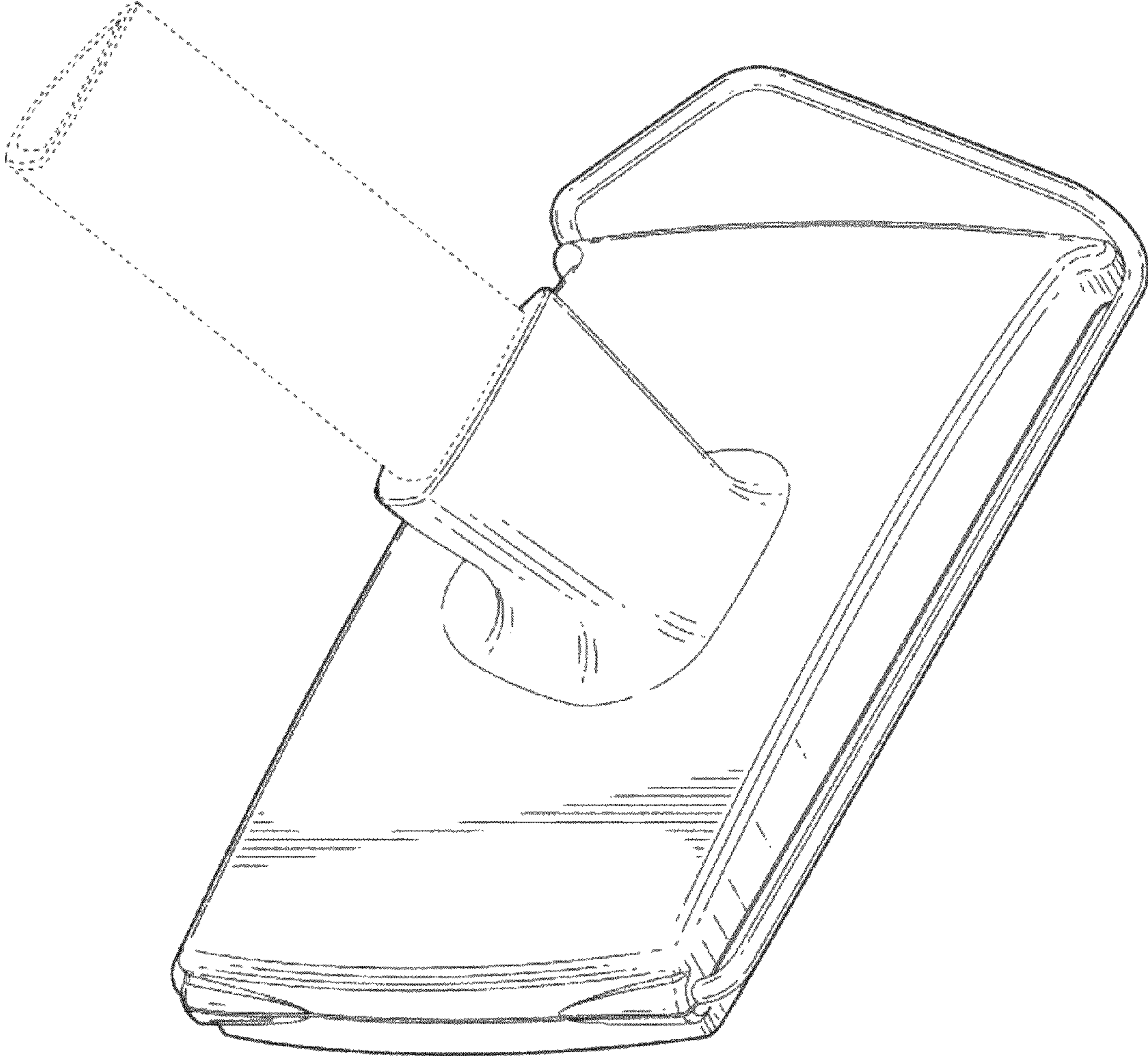


FIG. 1

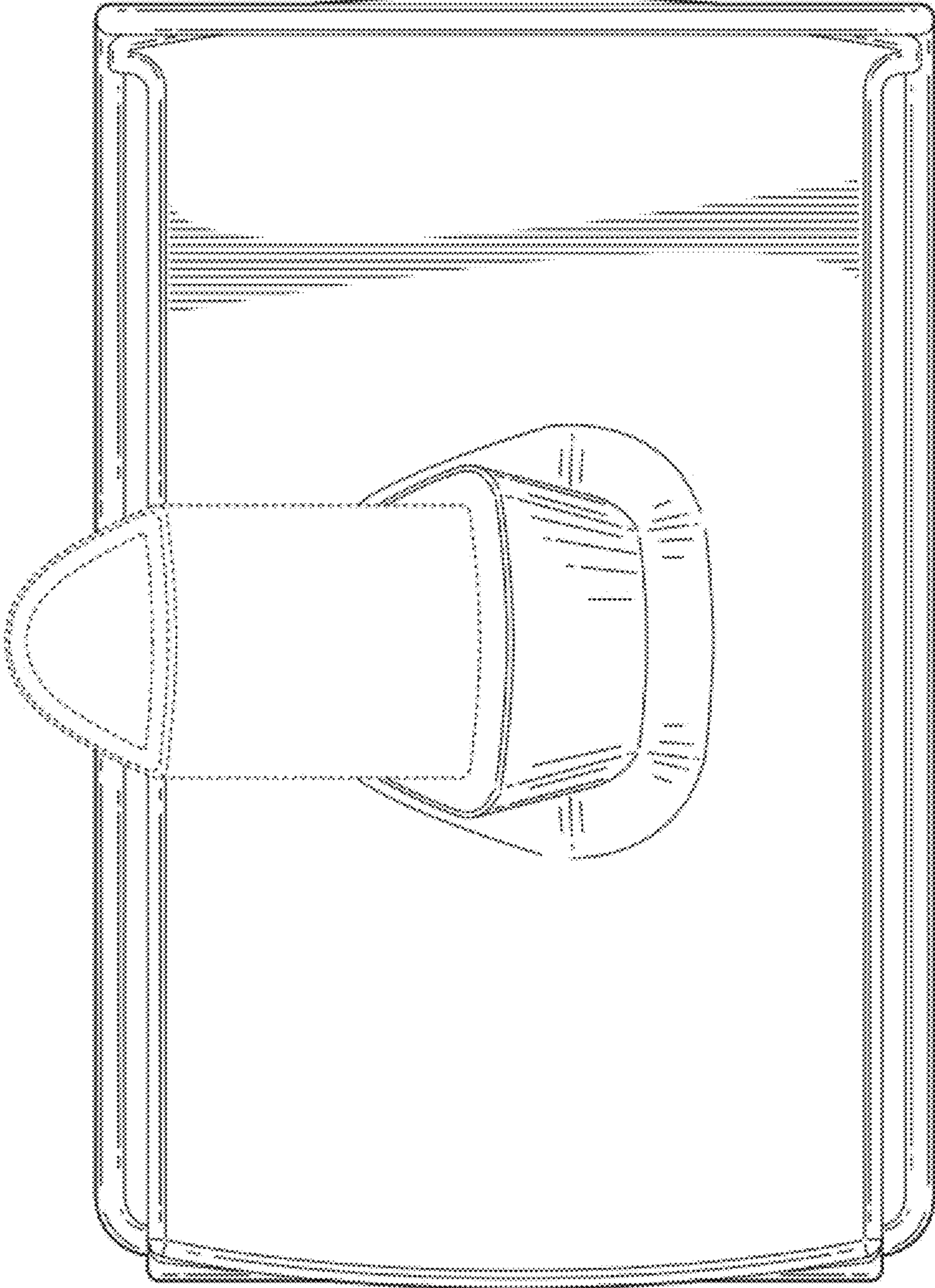


FIG. 2

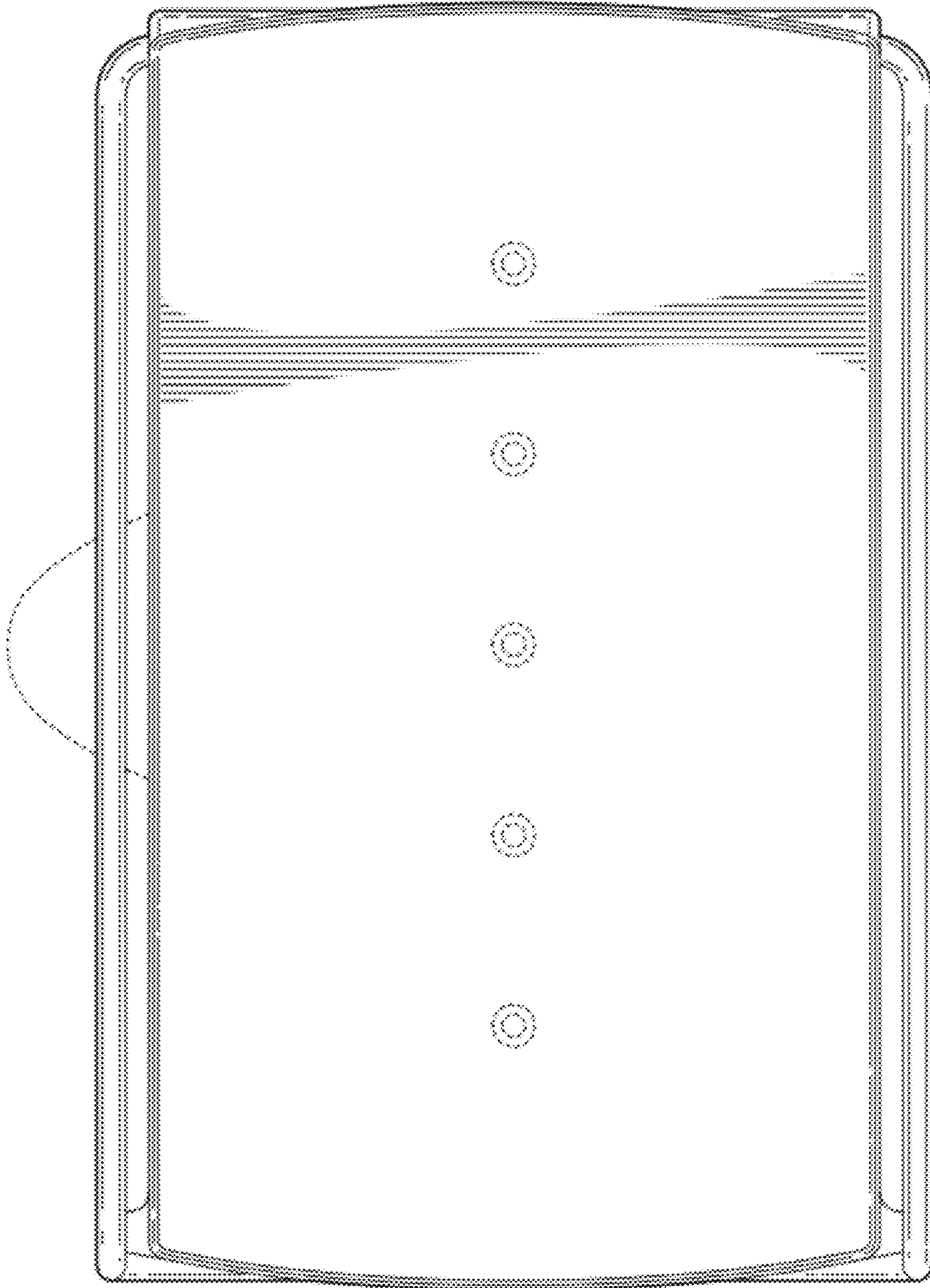


FIG. 3

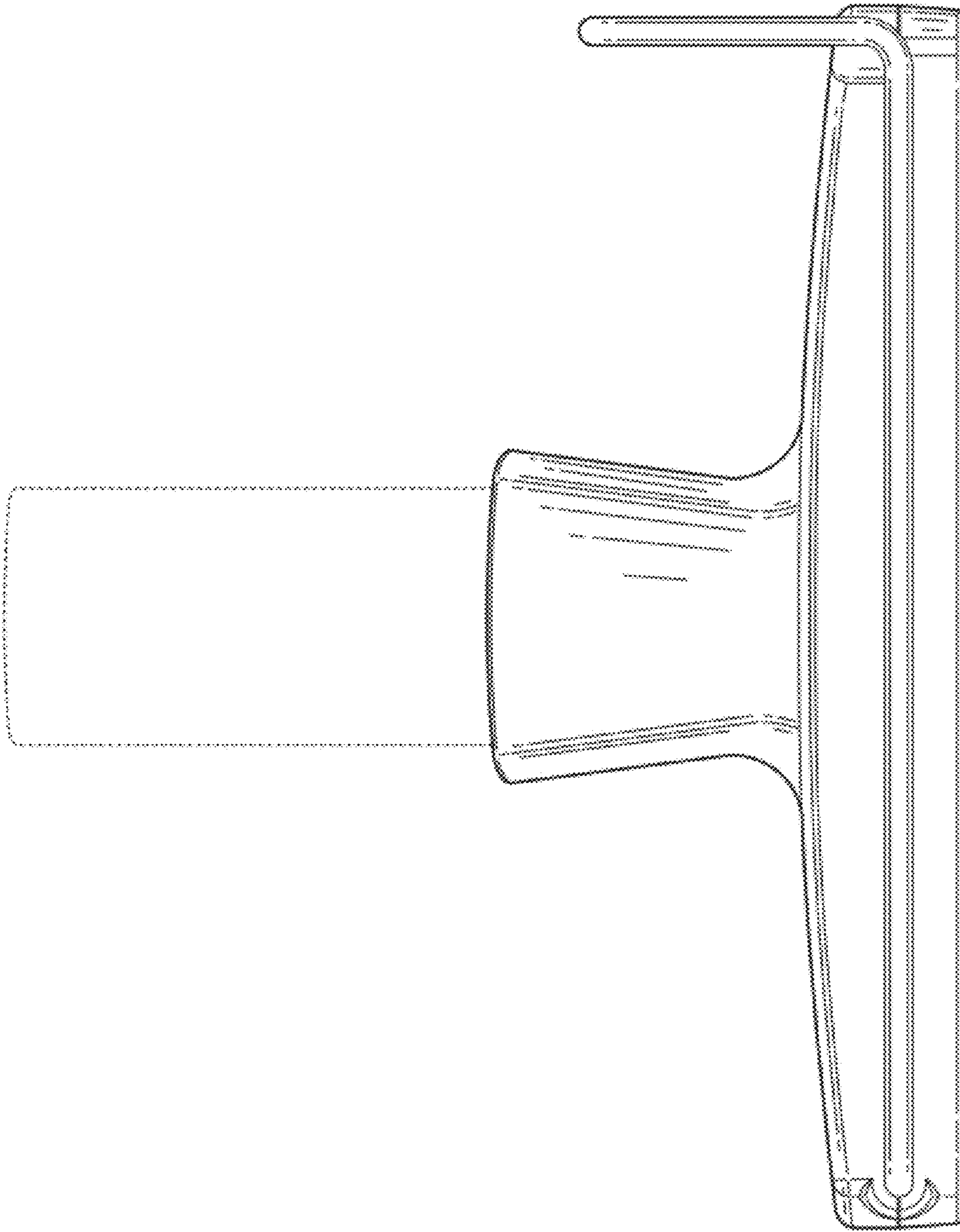


FIG. 4

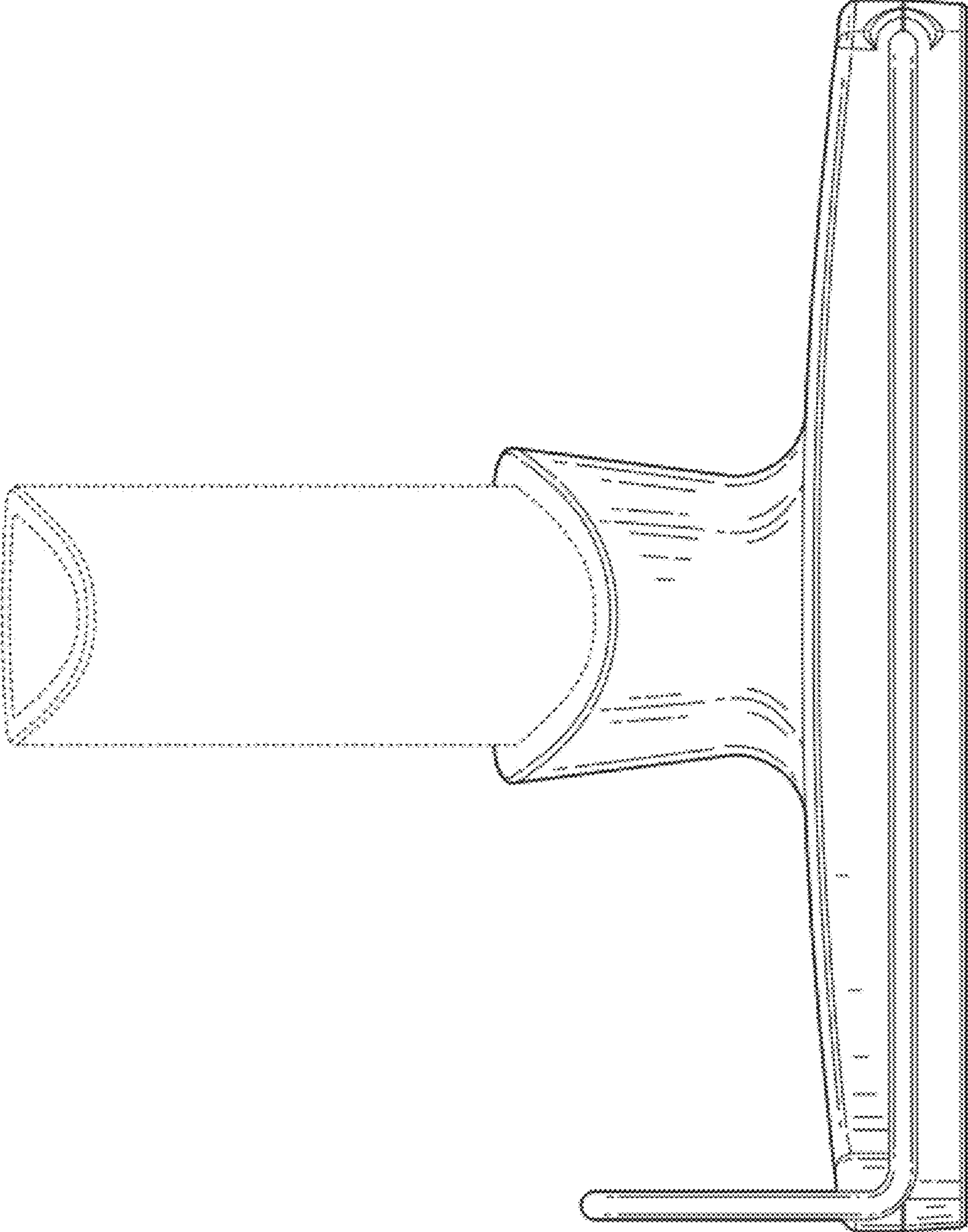


FIG. 5

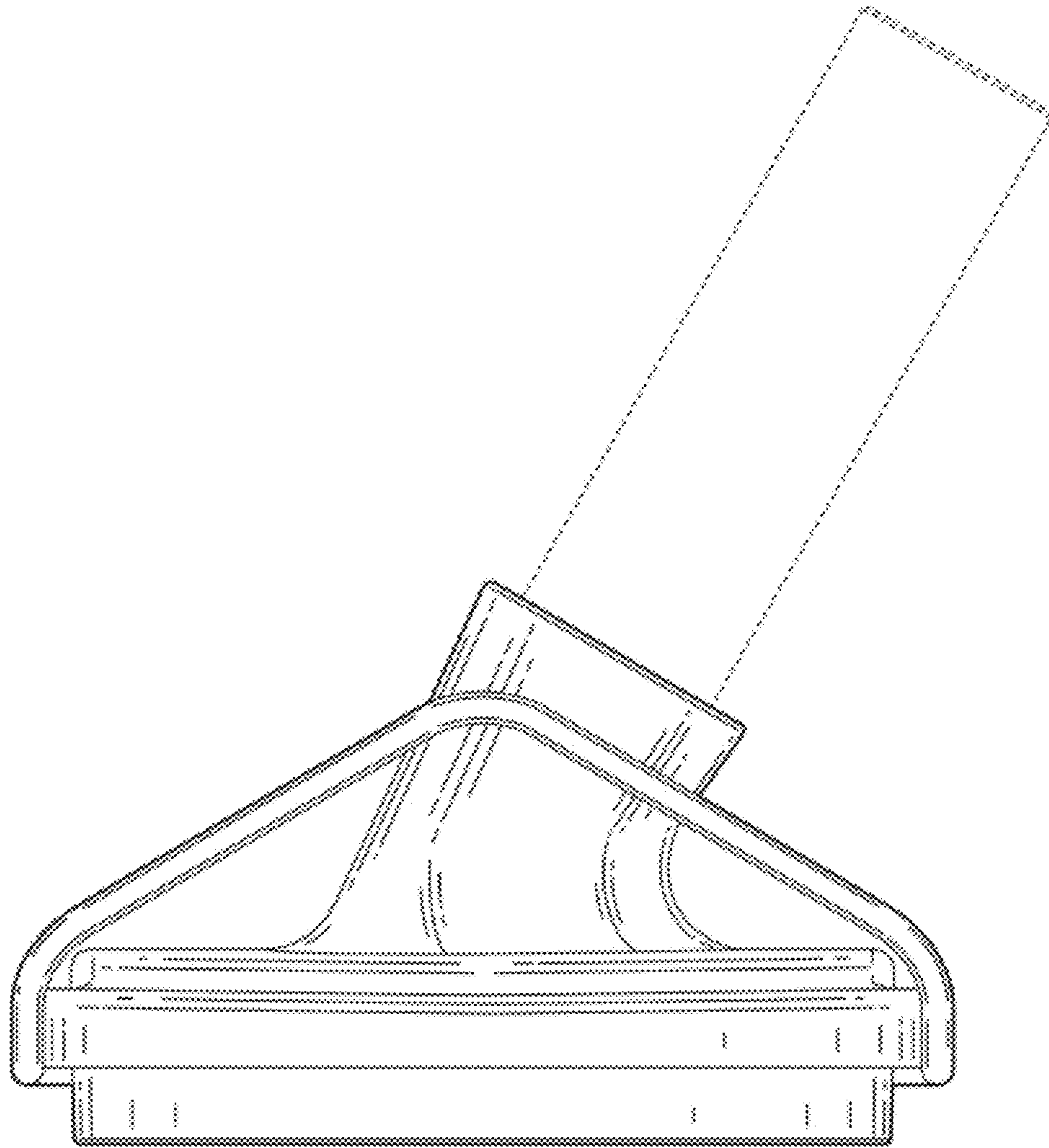


FIG. 6

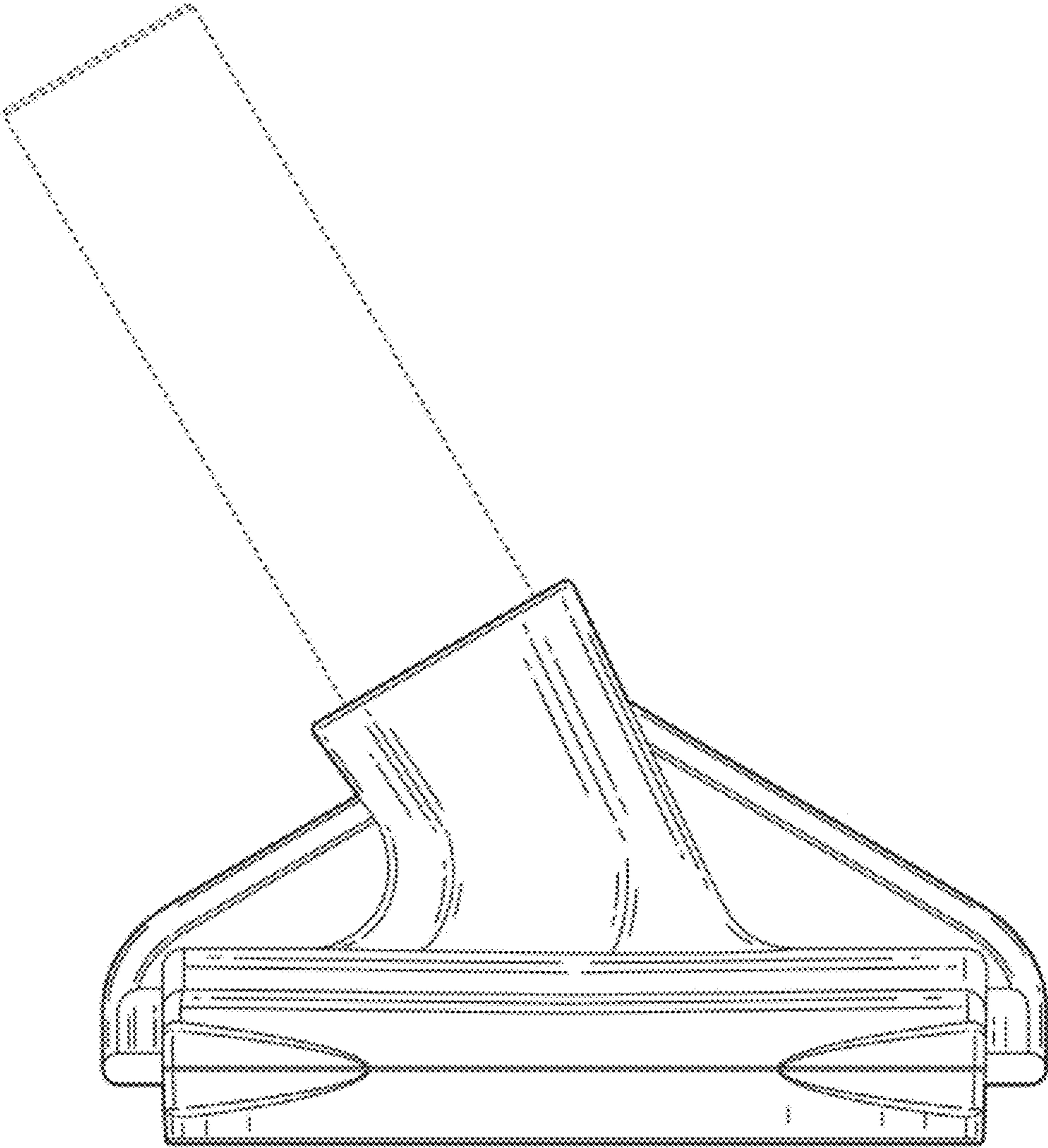


FIG. 7