



US00D658835S

(12) **United States Design Patent**
Houghton

(10) **Patent No.:** **US D658,835 S**

(45) **Date of Patent:** **** May 1, 2012**

(54) **STEAM MOP**

(75) Inventor: **Stephen Houghton,**
Newcastle-upon-Tyne (GB)

(73) Assignee: **Black & Decker Inc.,** Newark, DE (US)

(**) Term: **14 Years**

(21) Appl. No.: **29/384,372**

(22) Filed: **Jan. 31, 2011**

(30) **Foreign Application Priority Data**

Aug. 4, 2010 (EP) 001228167

(51) **LOC (9) Cl.** **04-01**

(52) **U.S. Cl.** **D32/45**

(58) **Field of Classification Search** D32/40,
D32/45, 50, 51; 401/137-140, 40-42; 141/20.5
See application file for complete search history.

(56) **References Cited**

U.S. PATENT DOCUMENTS

D497,699	S	*	10/2004	Chi-Hsiang et al.	D32/45
D507,088	S	*	7/2005	Chi-Hsiang et al.	D32/45
6,960,042	B1	*	11/2005	Hsiao	401/138
D514,267	S	*	1/2006	Tsai	D32/45
D515,759	S	*	2/2006	Fischer	D32/45
D583,118	S	*	12/2008	Snyder	D32/51

D591,921	S	*	5/2009	Rosenzweig et al.	D32/45
D597,717	S	*	8/2009	Rosenzweig et al.	D32/45
D602,218	S	*	10/2009	Koenig et al.	D32/40
D607,168	S	*	12/2009	Libman et al.	D32/45
D615,260	S	*	5/2010	Koenig	D32/45
D625,481	S	*	10/2010	Raven	D32/51
D631,217	S	*	1/2011	Lavy	D32/45
D636,958	S	*	4/2011	Koenig et al.	D32/45

* cited by examiner

Primary Examiner — Robin V Webster

(74) *Attorney, Agent, or Firm* — John Yun

(57) **CLAIM**

The ornamental design for a steam mop, as shown and described.

DESCRIPTION

FIG. 1 is a perspective view of a steam mop showing my new design.

FIG. 2 is a front view of the steam mop according to FIG. 1.

FIG. 3 is a rear side view of the steam mop according to FIG. 1.

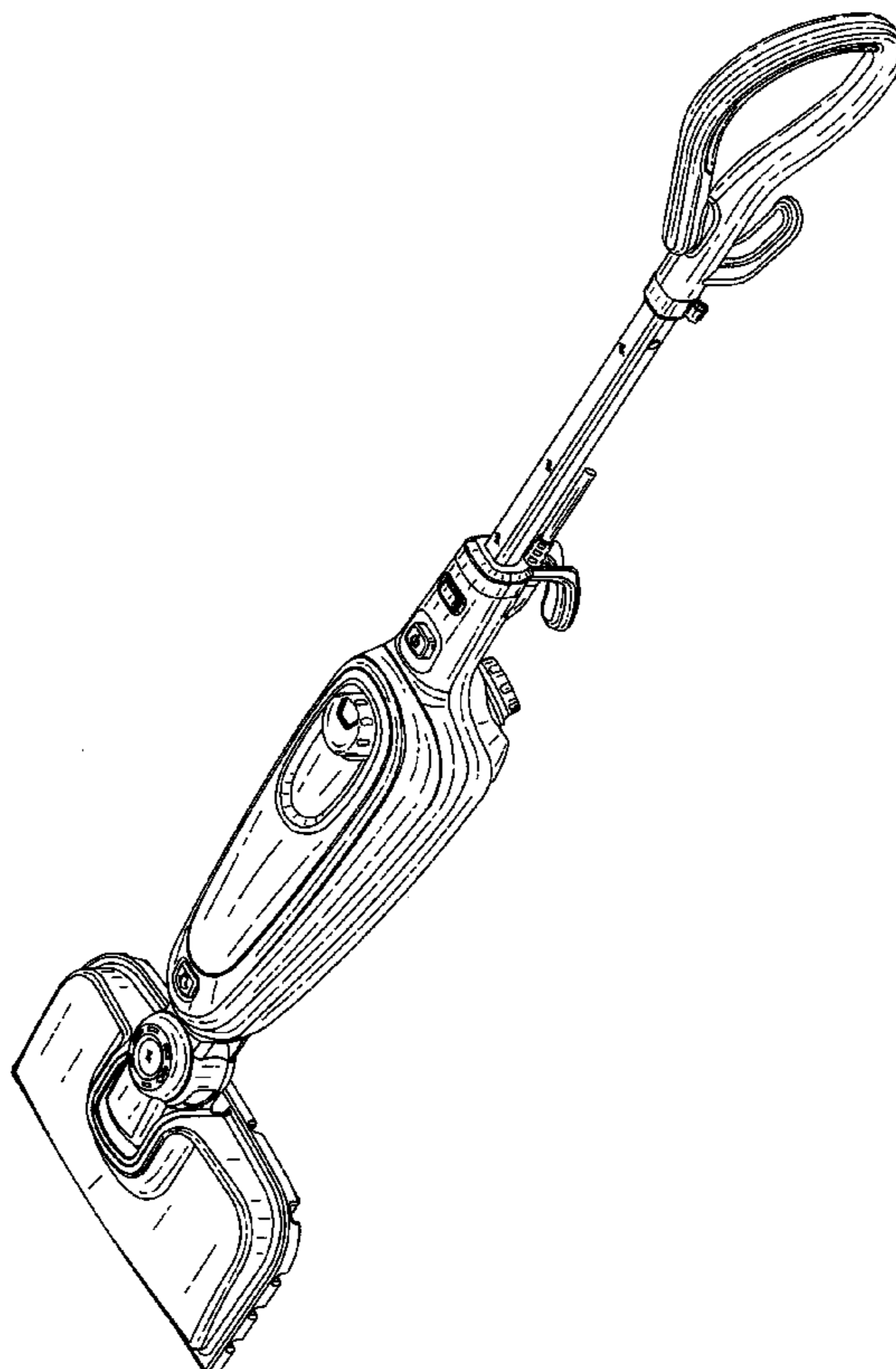
FIG. 4 is a left side view of the steam mop according to FIG. 1.

FIG. 5 is a right side view of the steam mop according to FIG. 1.

FIG. 6 is a top view of the steam mop according to FIG. 1; and,

FIG. 7 is a bottom view of the steam mop according to FIG. 1.

1 Claim, 6 Drawing Sheets



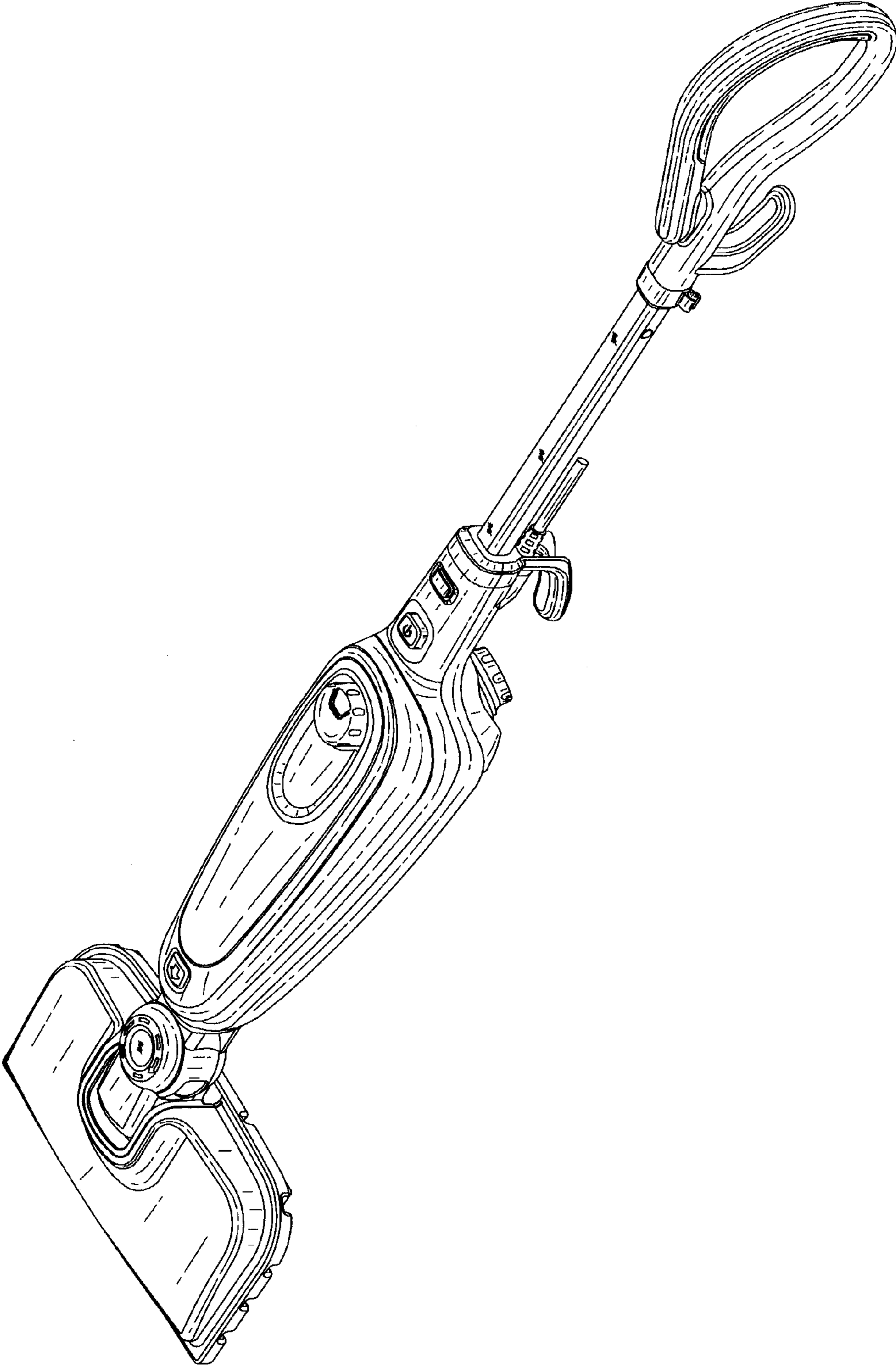


FIG.1

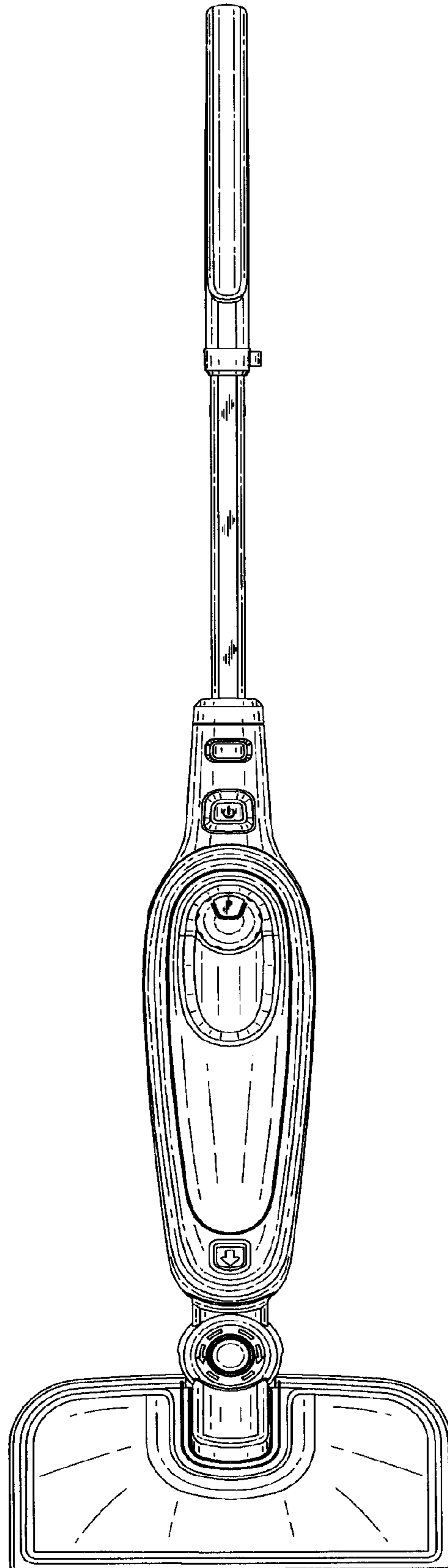


FIG. 2

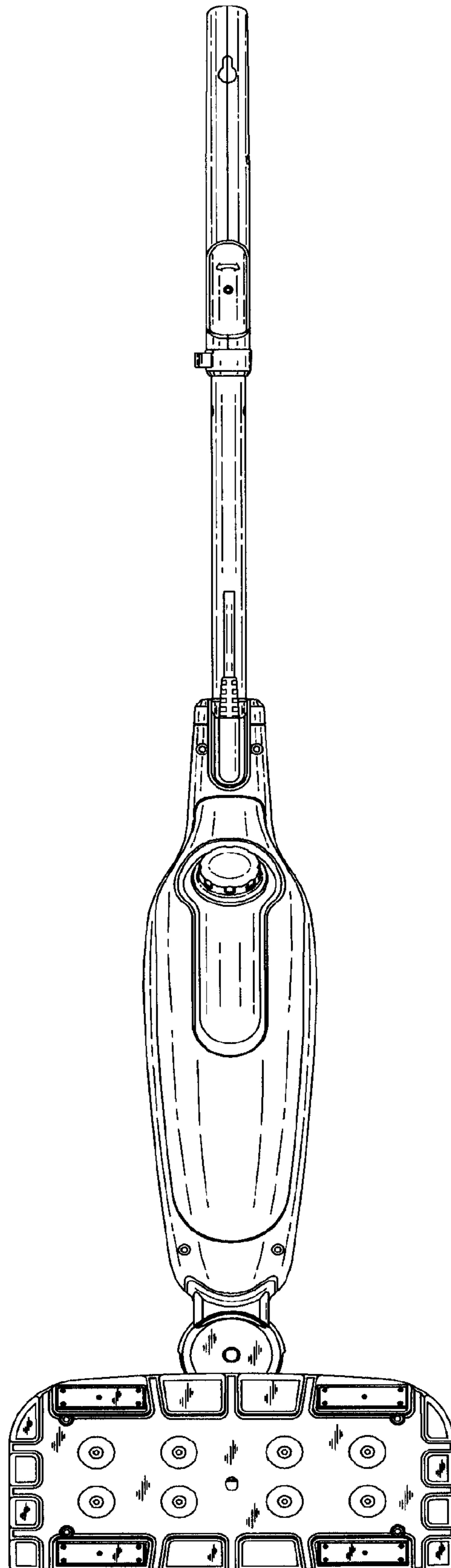


FIG.3

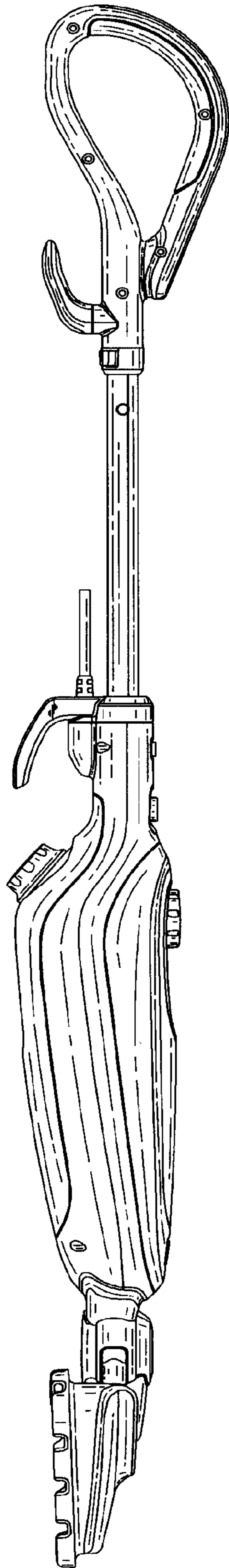


FIG.4

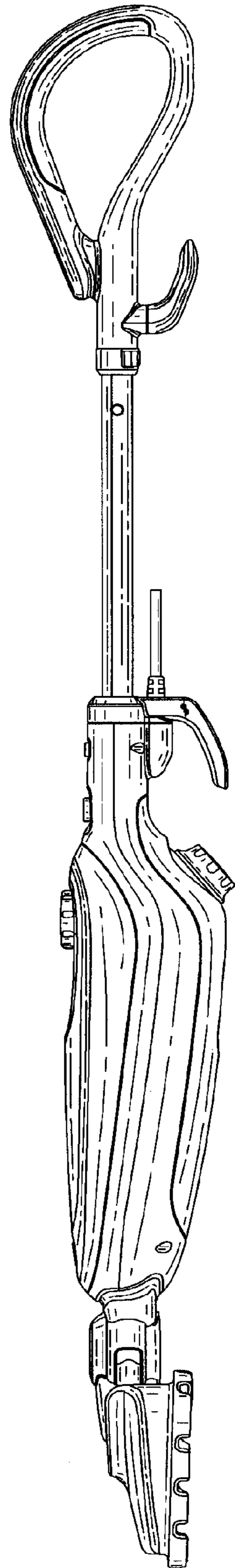


FIG.5

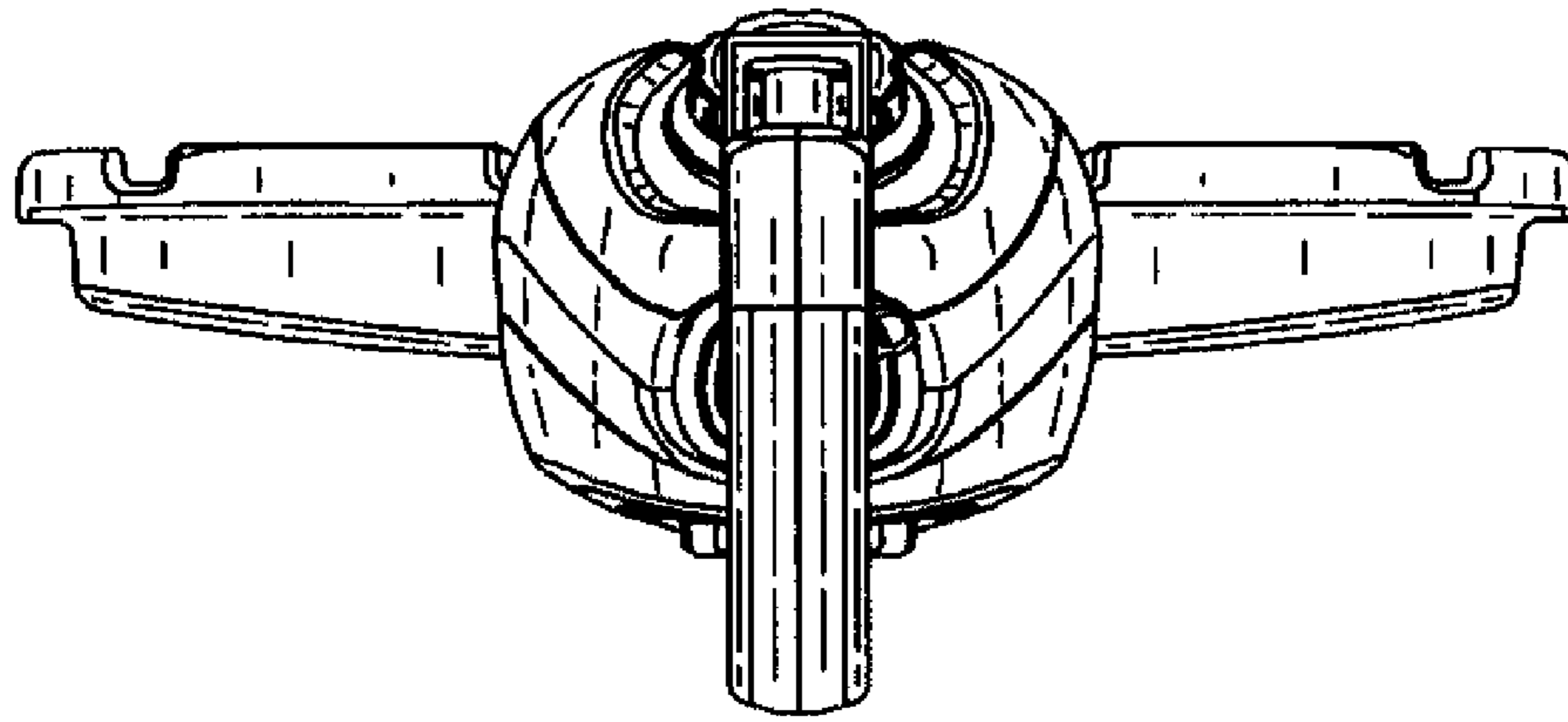


FIG. 6

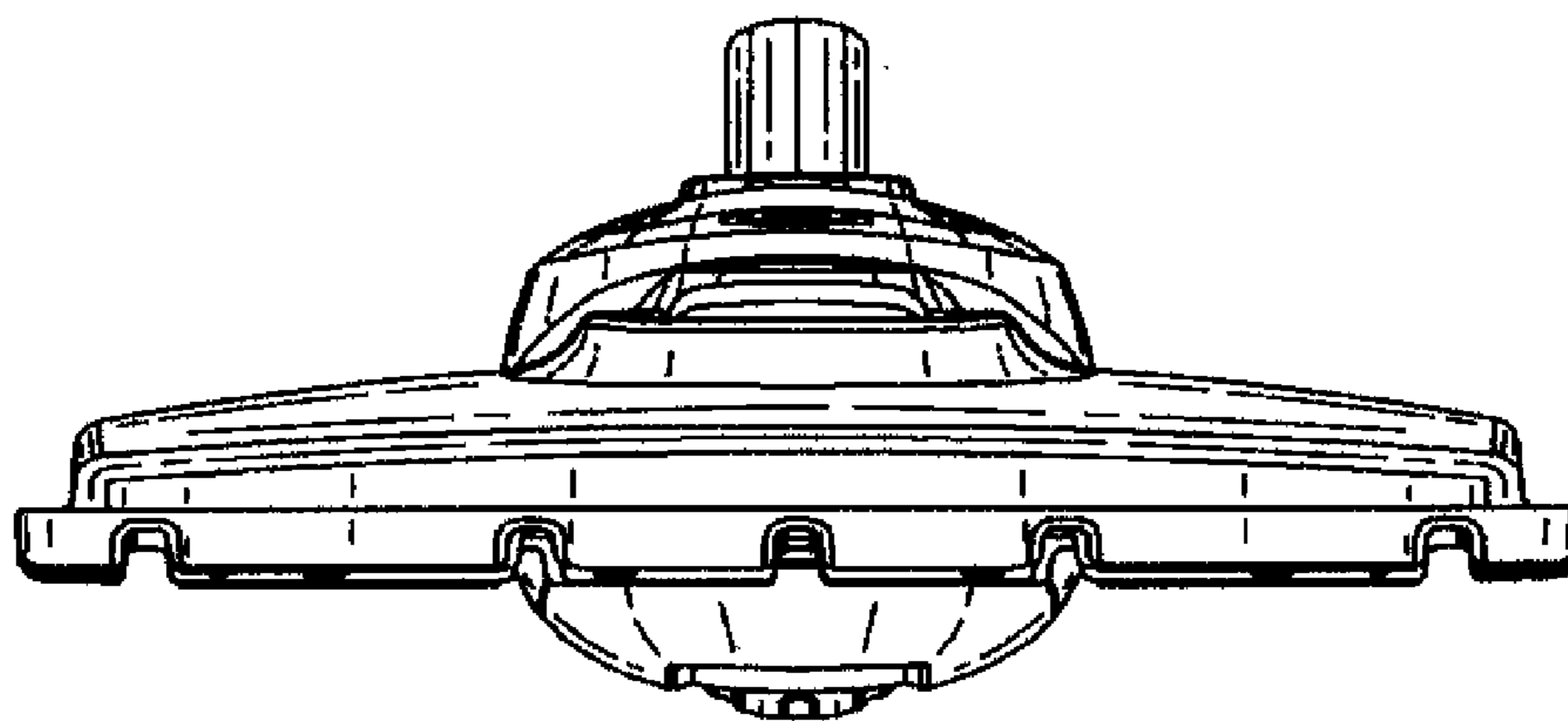


FIG. 7