



US00D658833S

(12) **United States Design Patent**
Ray

(10) **Patent No.:** **US D658,833 S**
(45) **Date of Patent:** **** May 1, 2012**

(54) **APPARATUS FOR CLEANING AND SCRUBBING SIDING**

(75) Inventor: **Thomas W. Ray**, Cottage Grove, WI (US)

(73) Assignee: **Ray-Mayde Technologies LLC**, Cottage Grove, WI (US)

(**) Term: **14 Years**

(21) Appl. No.: **29/373,369**

(22) Filed: **Mar. 31, 2011**

(51) **LOC (9) Cl.** **04-01**

(52) **U.S. Cl.** **D32/40**

(58) **Field of Classification Search** D32/35,
D32/40-43; D23/267, 393; D25/119, 55;
52/11, 12, 95; 248/48.1; 134/167 C; 401/137;
15/104.05, 104.03, 236.04

See application file for complete search history.

(56) **References Cited**

U.S. PATENT DOCUMENTS

4,304,498	A *	12/1981	George	401/9
D309,343	S *	7/1990	Koza et al.	D23/269
D331,822	S *	12/1992	Bassford et al.	D32/40
5,435,612	A *	7/1995	Kreiser	294/181
6,139,077	A *	10/2000	Molzan, II	294/111
D494,283	S *	8/2004	Barnett	D25/119
6,842,937	B2 *	1/2005	Li	15/236.04
D502,992	S *	3/2005	Rodolfo et al.	D23/393
D503,469	S *	3/2005	Rodolfo et al.	D23/393
D503,470	S *	3/2005	Rodolfo et al.	D23/393
D507,354	S *	7/2005	Parkin	D25/119
6,941,707	B2 *	9/2005	Sigmund	52/95

(Continued)

Primary Examiner — Robin V Webster

(74) *Attorney, Agent, or Firm* — Boardman & Clark LLP;
Joseph W. Byrne

(57) **CLAIM**

The ornamental design for an apparatus for cleaning and scrubbing siding, as shown and described.

DESCRIPTION

FIG. 1 is a top, front and right side perspective view of an apparatus for cleaning and scrubbing siding in accordance with my new design;

FIG. 2 is a front elevation view of the apparatus shown in FIG. 1;

FIG. 3 is a rear elevation view of the apparatus shown in FIG. 1;

FIG. 4 is a top plan view of the apparatus shown in FIG. 1;

FIG. 5 is a right side elevation view of the apparatus shown in FIG. 1;

FIG. 6 is a left side elevation view of the apparatus shown in FIG. 1;

FIG. 7 is a top, front and right side perspective view of a second apparatus for cleaning and scrubbing siding in accordance with my new design;

FIG. 8 is a front elevation view of the apparatus shown in FIG. 7;

FIG. 9 is a rear elevation view of the apparatus shown in FIG. 7;

FIG. 10 is a top plan view of the apparatus shown in FIG. 7;

FIG. 11 is a right side elevation view of the apparatus shown in FIG. 7; and,

FIG. 12 is a left side elevation view of the apparatus shown in FIG. 7.

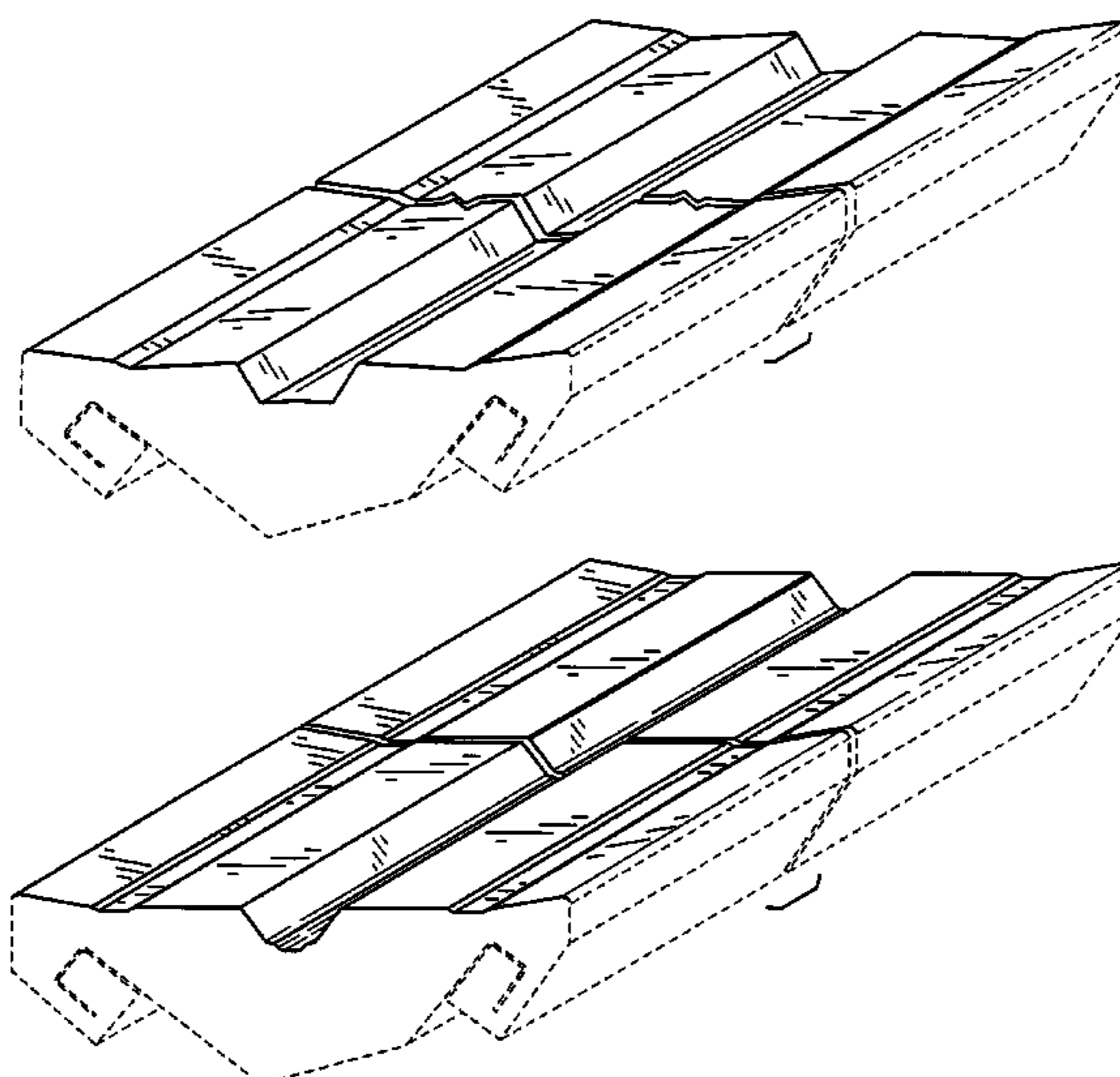
The bottoms of the apparatuses for cleaning and scrubbing siding do not comprise any portion of the invention, and hence are not shown in the drawings.

The apparatuses for cleaning and scrubbing siding are shown broken away in the drawings to indicate that no particular length is claimed.

The broken line showings in the drawings are for illustrative purposes only and form no part of the claimed design.

In addition, the surface shading illustrated in the drawings is provided merely to highlight the contour of the design; it is not intended to be illustrative of texture or gloss.

1 Claim, 4 Drawing Sheets



US D658,833 S

Page 2

U.S. PATENT DOCUMENTS

D517,222 S *	3/2006	Cole	D25/119	D613,380 S *	4/2010	Contreras	D23/267
D569,565 S *	5/2008	Leahy et al.	D32/40	D613,832 S *	4/2010	Bradbeer	D23/267
D571,516 S *	6/2008	Leahy et al.	D32/40	7,891,040 B2 *	2/2011	Christie	15/236.04
D587,818 S *	3/2009	Schrader	D25/119	7,913,458 B2 *	3/2011	Higginbotham	52/12
D613,379 S *	4/2010	Contreras	D23/267	8,042,304 B2 *	10/2011	Contreras	52/12

* cited by examiner

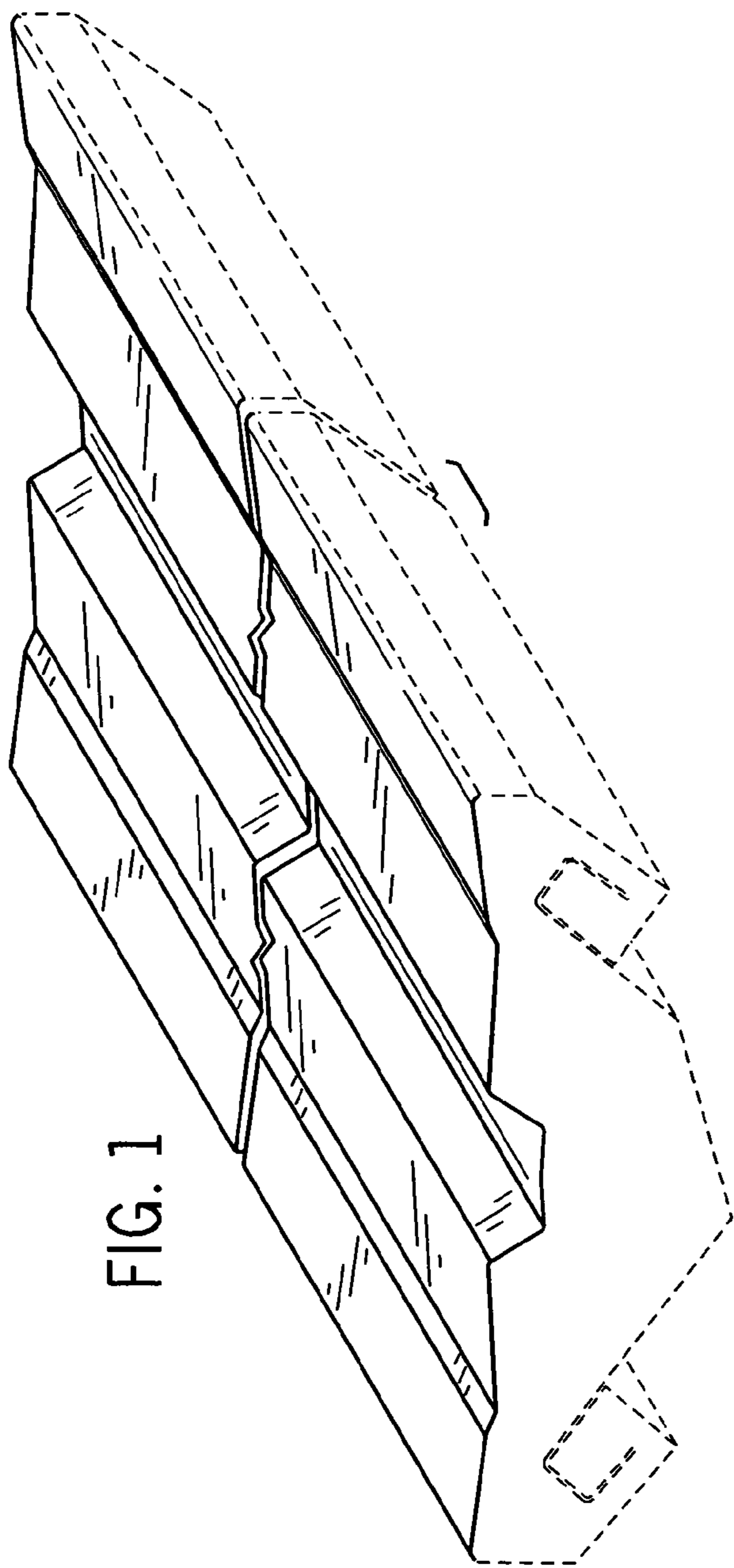


FIG. 1

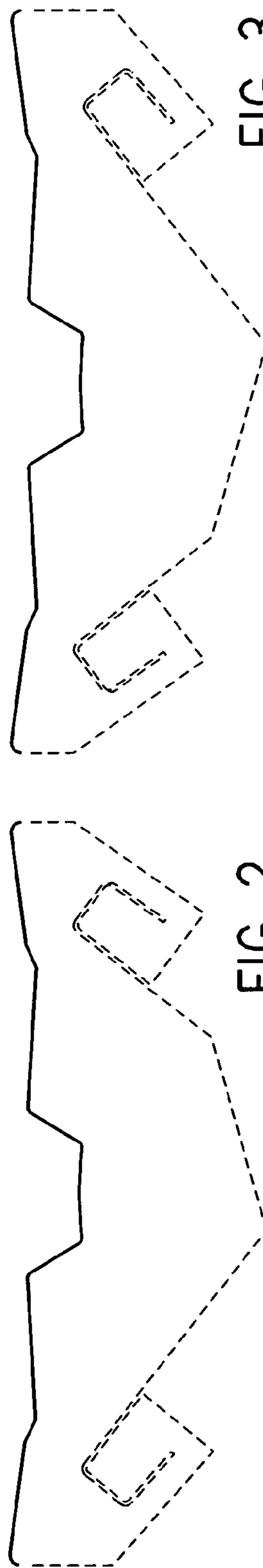


FIG. 2

FIG. 3

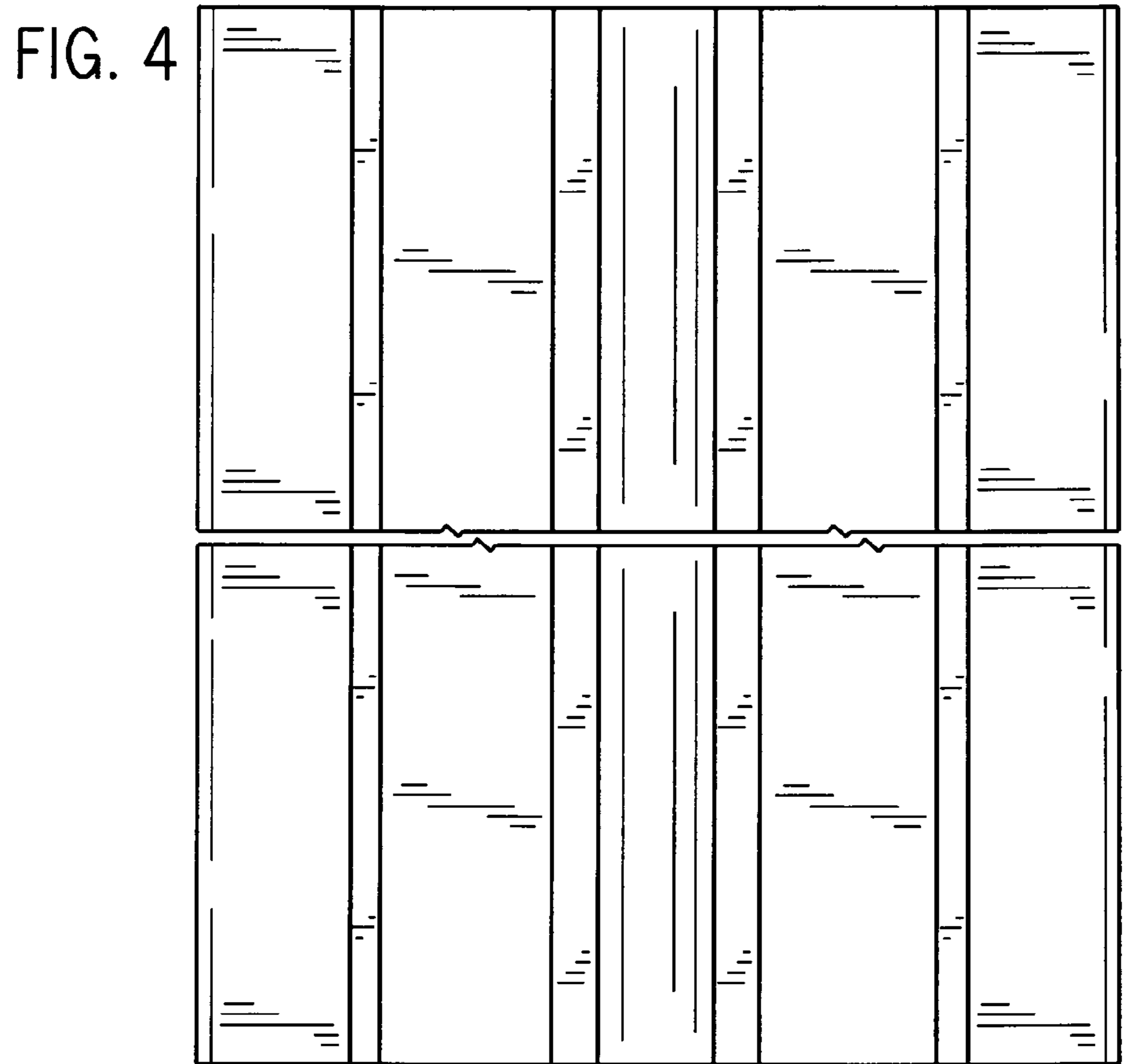


FIG. 5

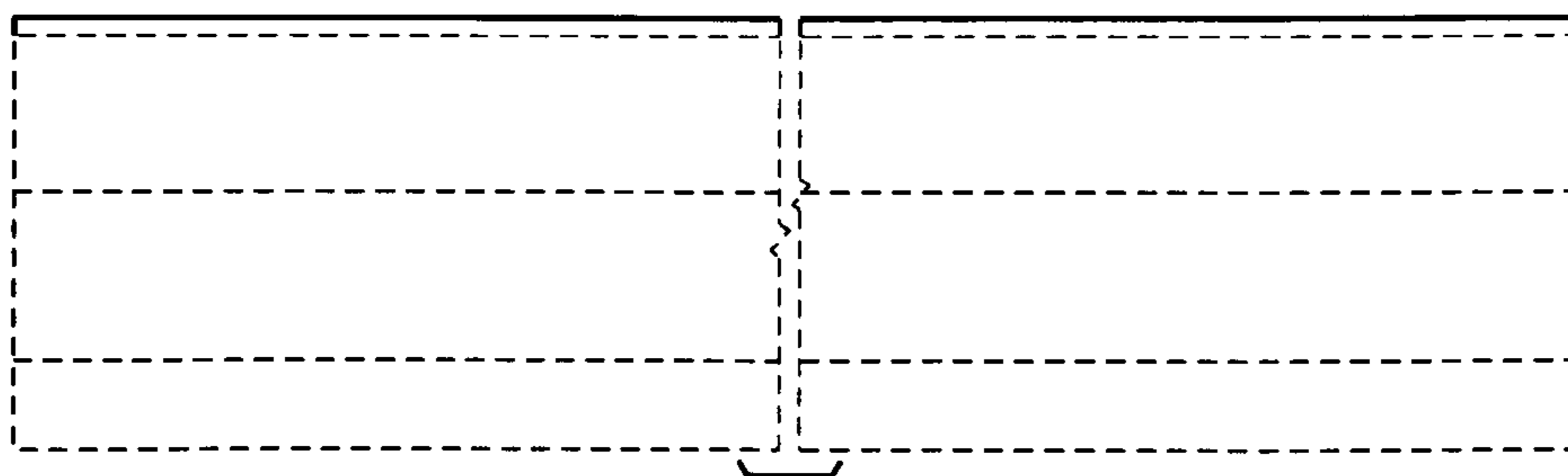
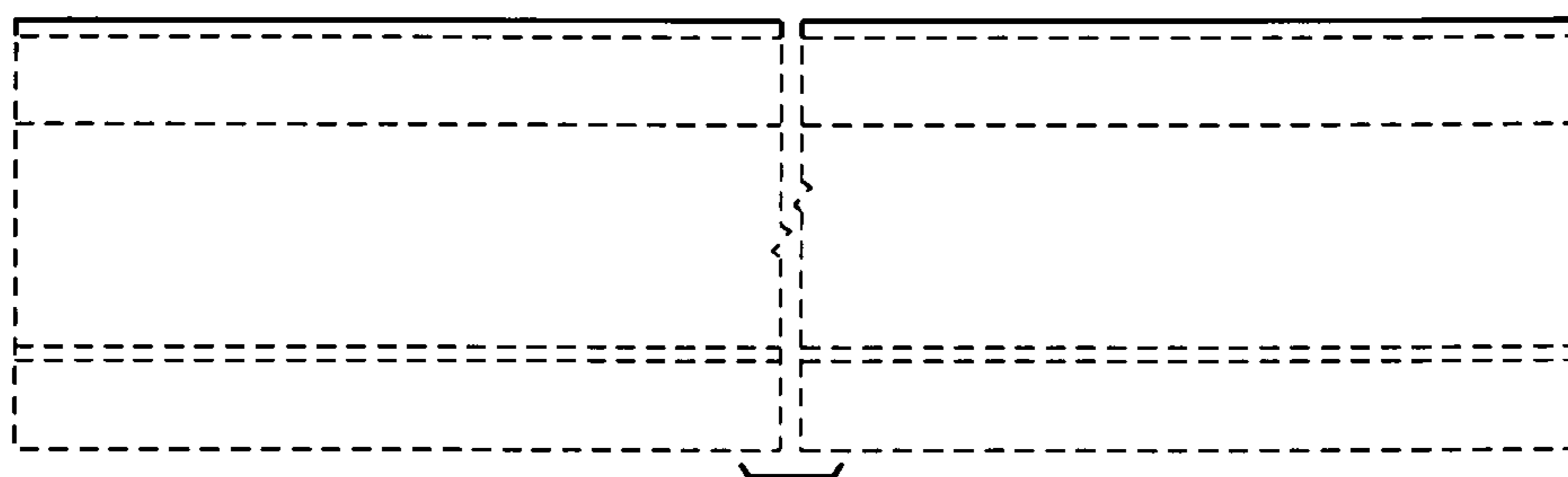


FIG. 6

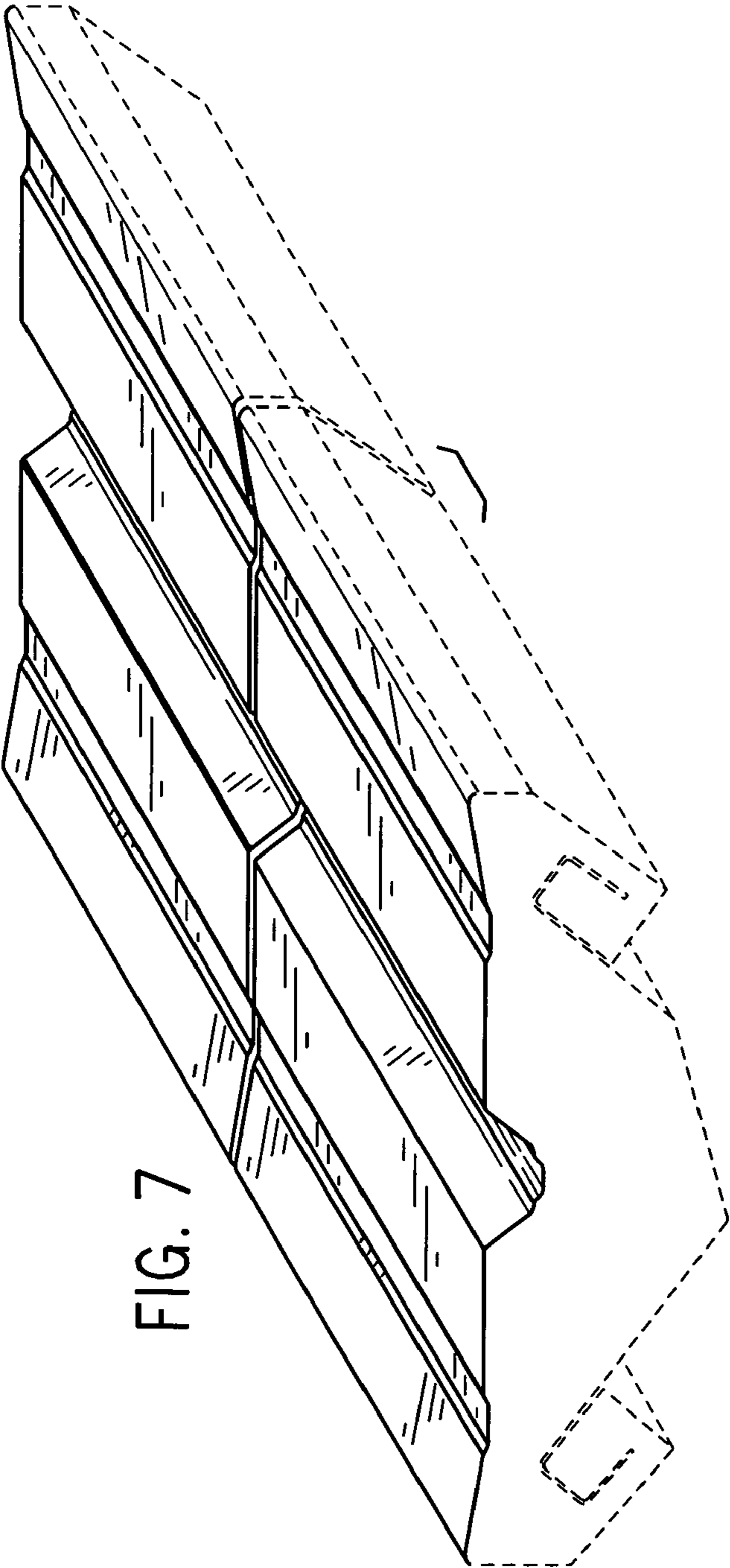


FIG. 7

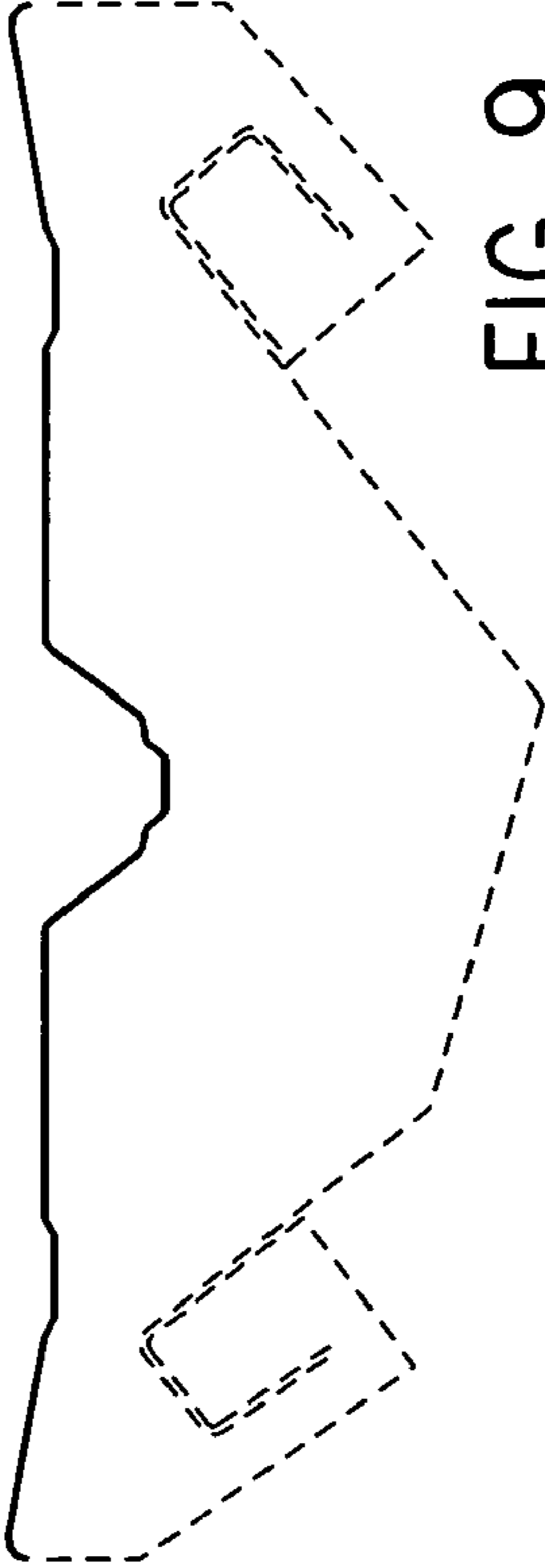


FIG. 9

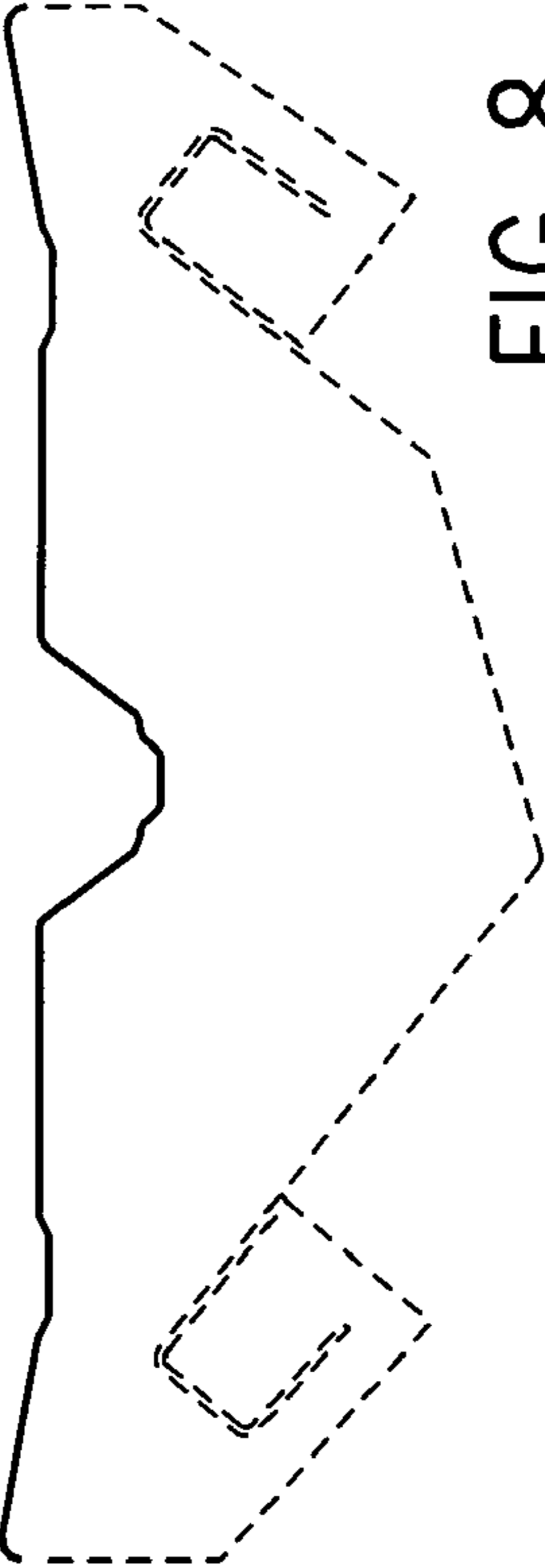


FIG. 8

FIG. 10

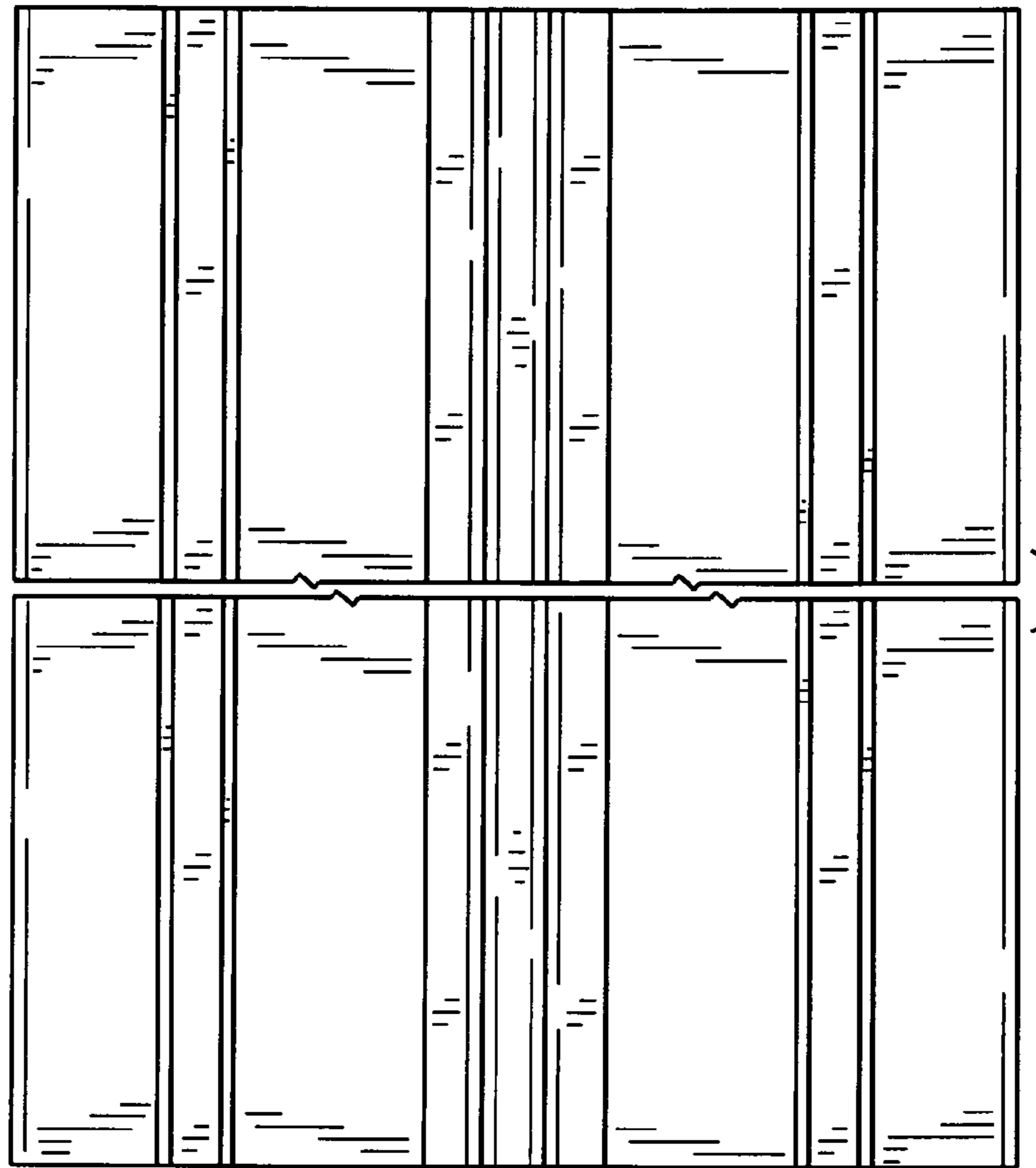


FIG. 11

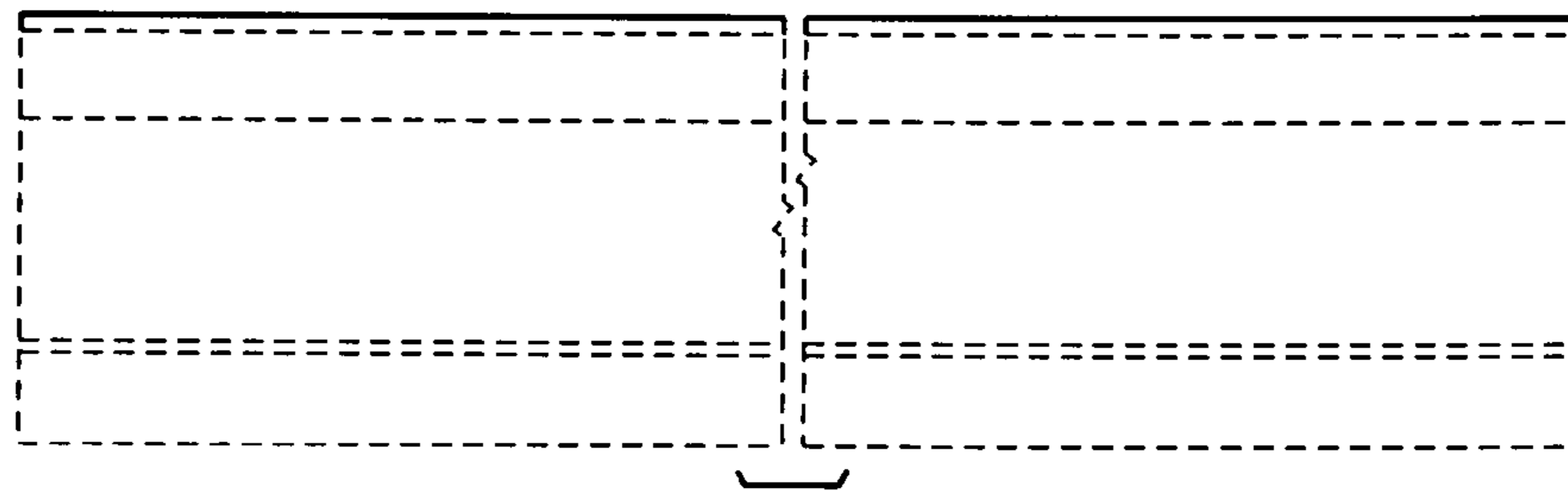


FIG. 12

