



US00D658832S

(12) **United States Design Patent**
Eden et al.

(10) **Patent No.:** **US D658,832 S**

(45) **Date of Patent:** **** May 1, 2012**

(54) **NOZZLE**

(76) Inventors: **Paul G. Eden**, Glenwood, MD (US);
Johnny R. Eyer, Riverside, CA (US)

(**) Term: **14 Years**

(21) Appl. No.: **29/390,692**

(22) Filed: **Apr. 28, 2011**

(51) **LOC (9) Cl.** **15-05**

(52) **U.S. Cl.** **D32/32**

(58) **Field of Classification Search** D32/31-33,
D32/25; 15/329, 337, 338, 415.1, 416-422,
15/422.1, 93.1, 246.2, 322, 350-354, 361-363,
15/366, 378, 400-401, 414, 412, 344

See application file for complete search history.

(56) **References Cited**

U.S. PATENT DOCUMENTS

D147,125 S *	7/1947	Harvuot	D32/32
D158,774 S *	5/1950	Lippincott	D32/32
D200,093 S *	1/1965	Frost	D32/32
D273,146 S *	3/1984	Farr	D32/31
D303,026 S *	8/1989	Kilakis	D32/32
5,060,341 A *	10/1991	Nelle	15/314
D375,822 S *	11/1996	Lessig et al.	D32/32
D405,570 S *	2/1999	Broecking	D32/32
D506,046 S *	6/2005	Schroter	D32/32
D509,332 S *	9/2005	White	D32/32

D513,101 S *	12/2005	Allard et al.	D32/32
D526,102 S *	8/2006	Adams	D32/32
7,260,869 B2 *	8/2007	Kim	15/416
D590,111 S *	4/2009	Wiljanen et al.	D32/32
D621,566 S *	8/2010	Crawley et al.	D32/33
2003/0159241 A1 *	8/2003	Calzolari	15/401
2005/0044660 A1 *	3/2005	Kim	15/415.1
2007/0209154 A1 *	9/2007	Griffith et al.	15/415.1
2010/0170060 A1 *	7/2010	Eccardt et al.	15/415.1

* cited by examiner

Primary Examiner — Ruth McInroy

(74) *Attorney, Agent, or Firm* — Rosenberg, Klein & Lee

(57) **CLAIM**

The ornamental design for a nozzle, as shown and described.

DESCRIPTION

FIG. 1 is a right side perspective view of our nozzle showing our new design;

FIG. 2 is a left side perspective view thereof;

FIG. 3 is a right side elevational view thereof, the left side being a mirror image;

FIG. 4 is a front elevational view thereof;

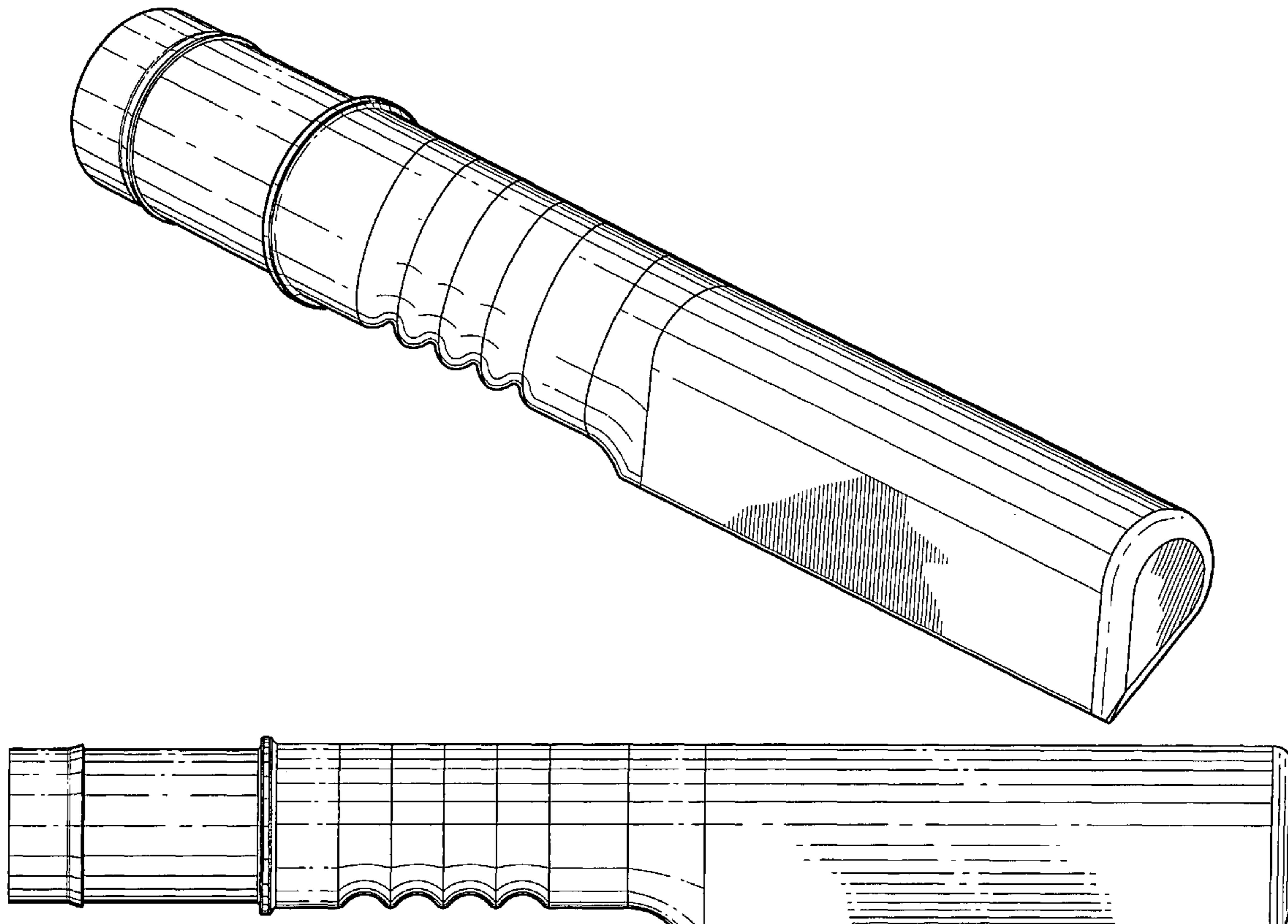
FIG. 5 is a rear elevational view thereof;

FIG. 6 is a top plan view thereof; and,

FIG. 7 is a bottom plan view thereof.

The detail shown in broken lines in FIG. 5 forms no part of the claimed design.

1 Claim, 6 Drawing Sheets



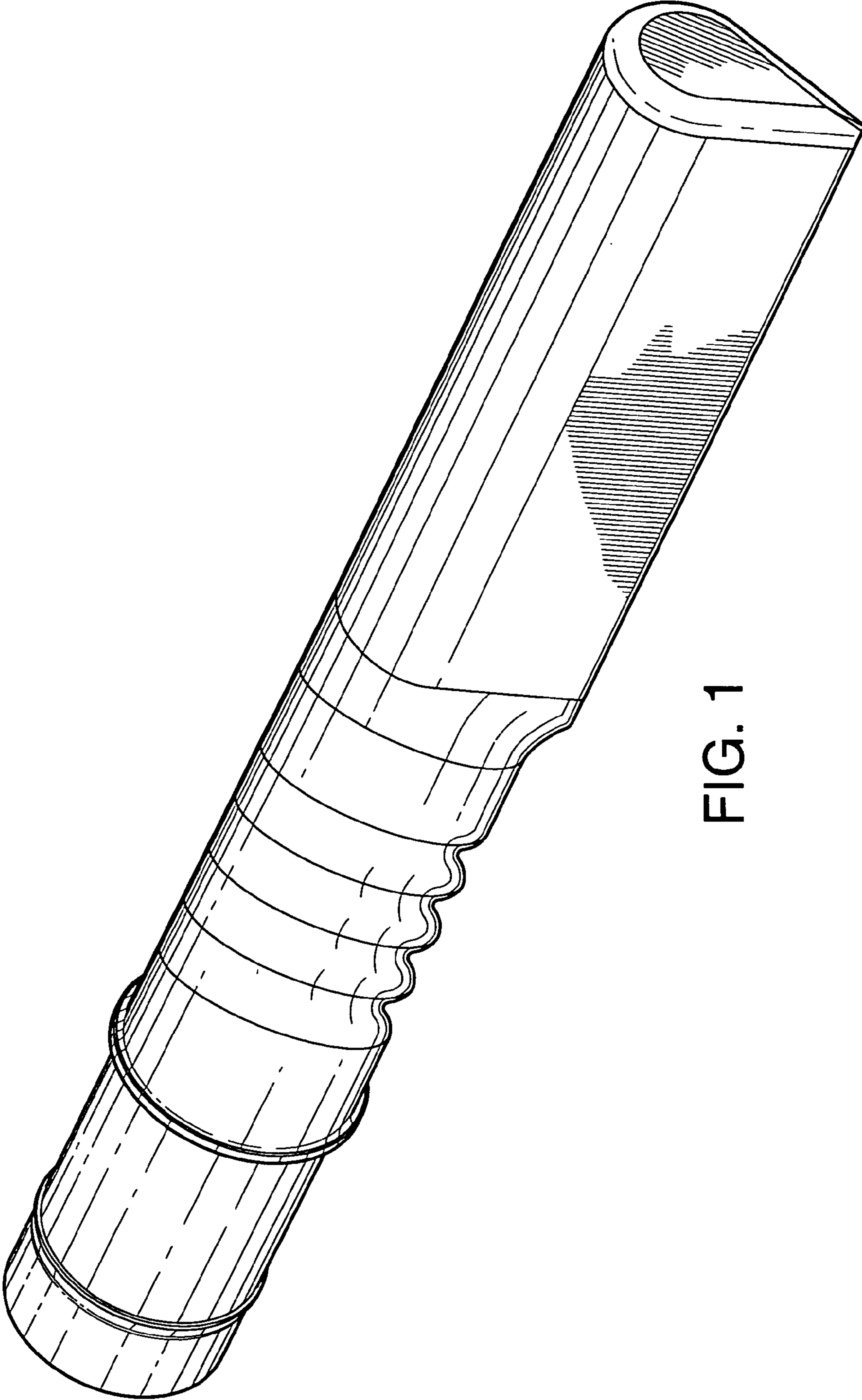


FIG. 1

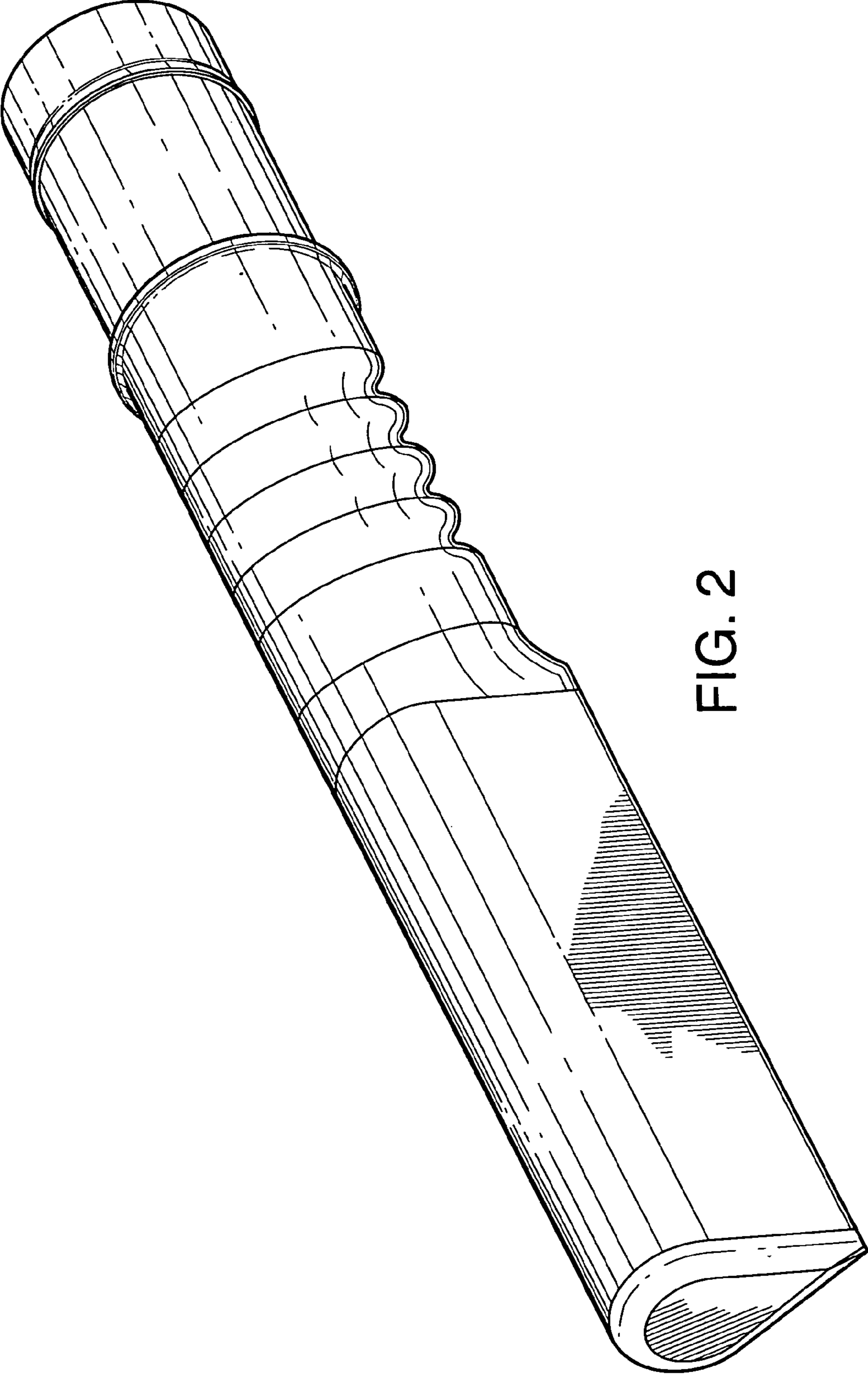


FIG. 2

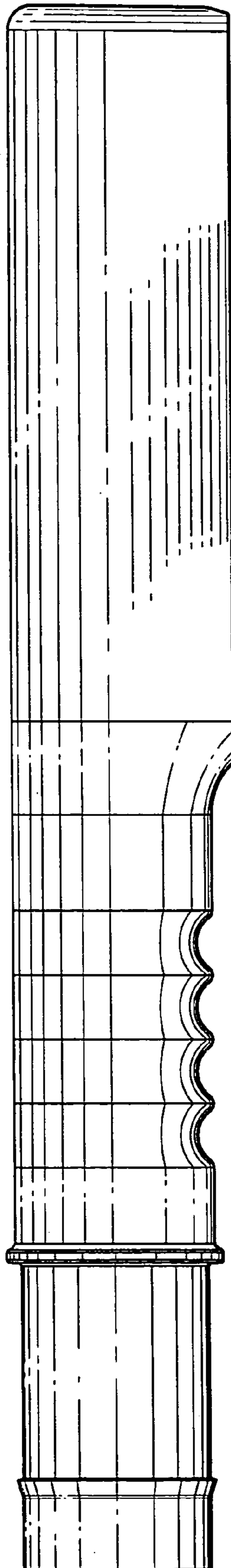


FIG. 3

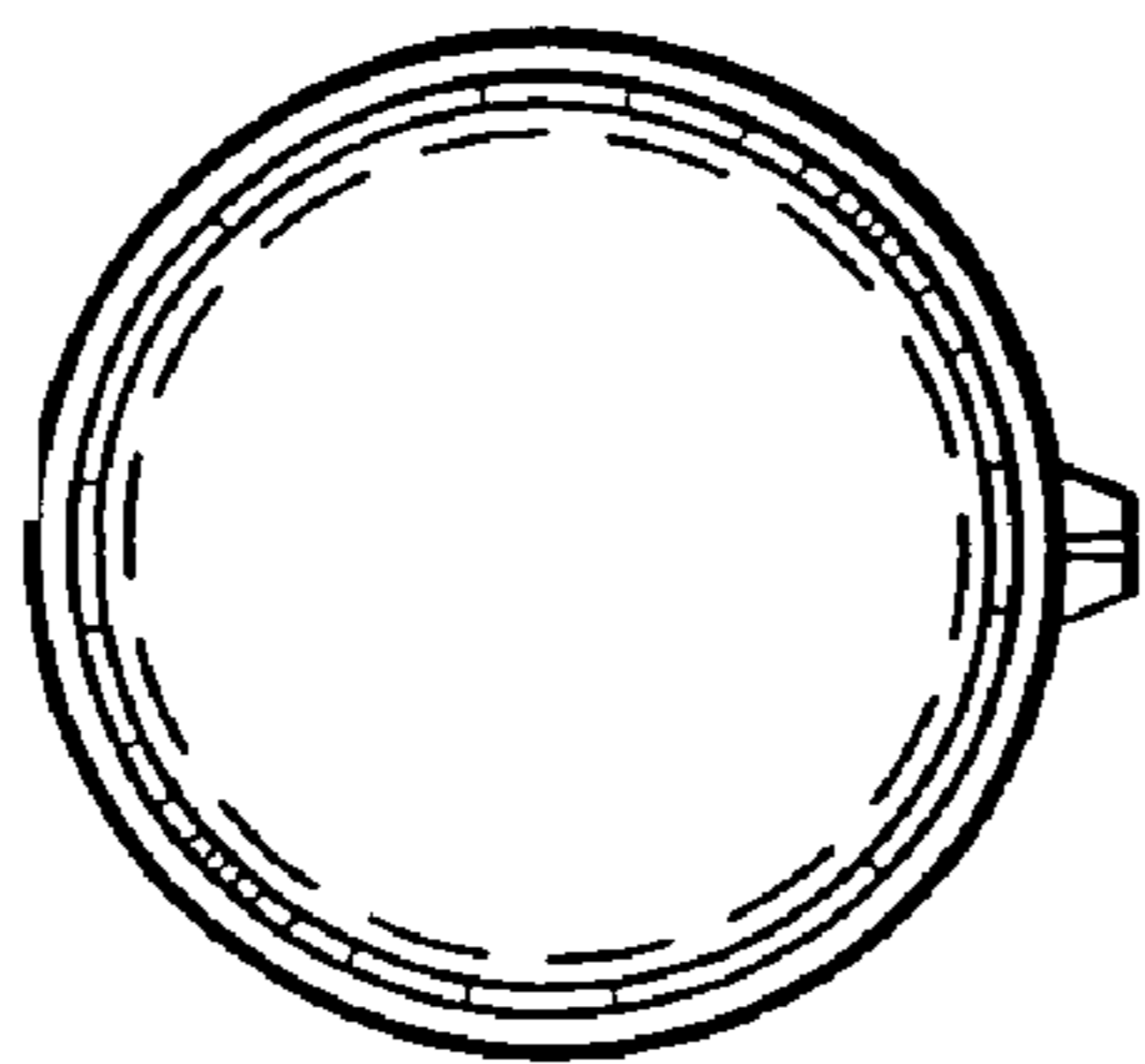


FIG. 5

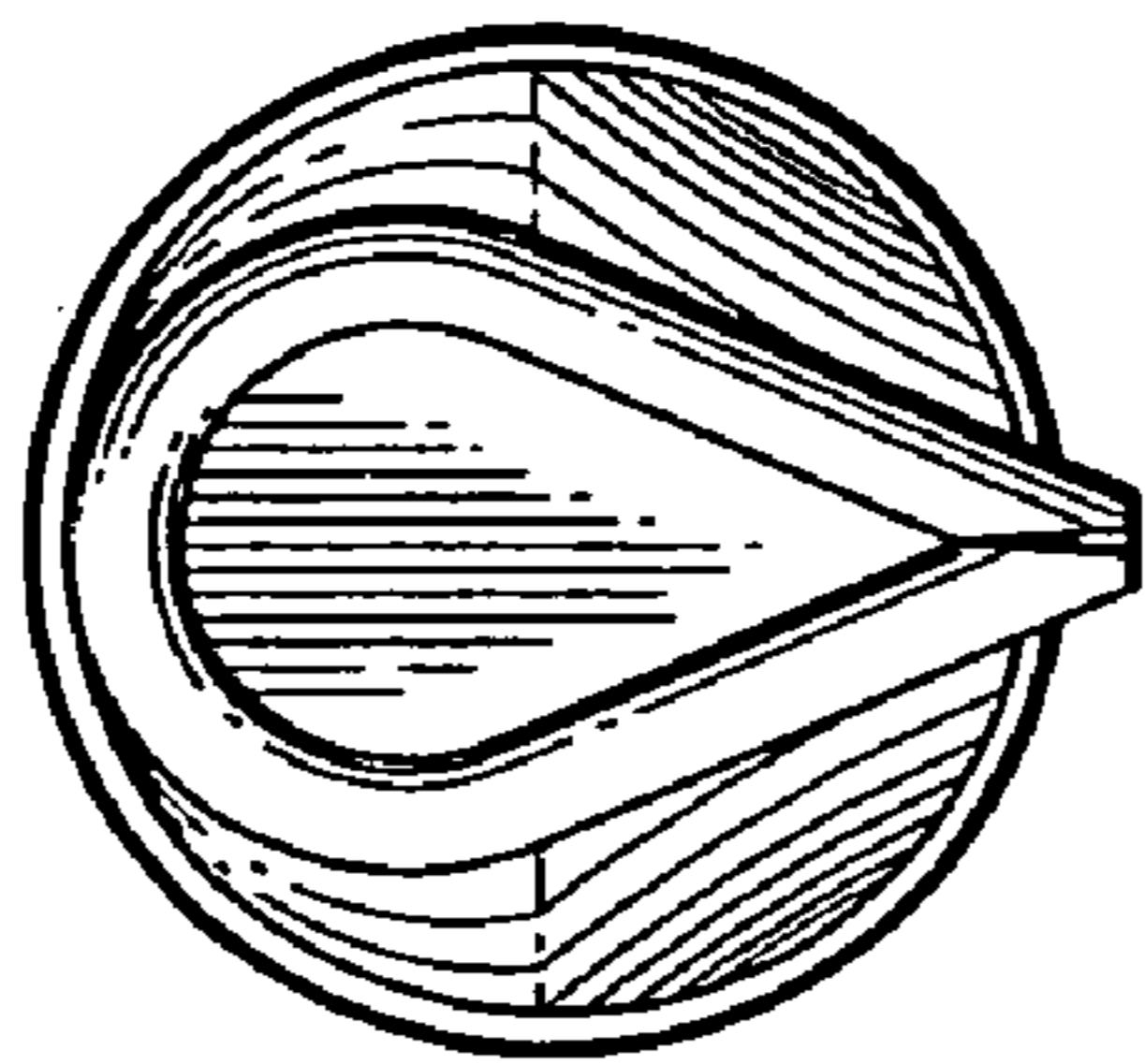


FIG. 4

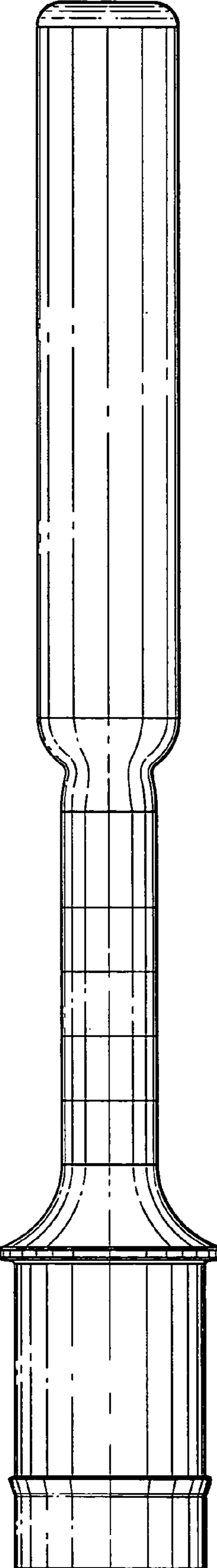


FIG. 6

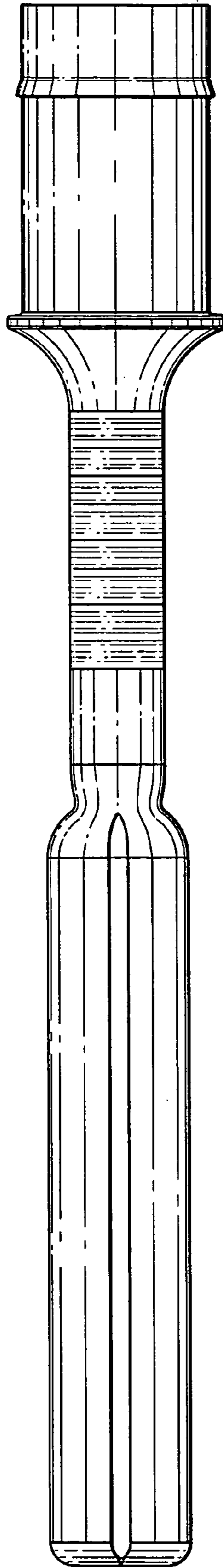


FIG. 7