



US00D658831S

(12) **United States Design Patent**
Robinson et al.

(10) **Patent No.:** **US D658,831 S**

(45) **Date of Patent:** **** May 1, 2012**

(54) **VENT ATTACHMENT FOR CLOTHES DRYER**

(75) Inventors: **Jackie P. Robinson**, Venus, TX (US);
James Robinson, Venus, TX (US); **Adel Sebita**, Venus, TX (US)

(73) Assignee: **Robita, Inc.**, Venus, TX (US)

(**) Term: **14 Years**

(21) Appl. No.: **29/383,326**

(22) Filed: **Jan. 14, 2011**

(51) **LOC (9) Cl.** **15-05**

(52) **U.S. Cl.** **D32/25**

(58) **Field of Classification Search** D32/1,
D32/25; D23/393-394; 34/82, 86, 90, 235
See application file for complete search history.

(56) **References Cited**

U.S. PATENT DOCUMENTS

3,677,517	A *	7/1972	Root et al.	251/366
3,999,304	A *	12/1976	Doty	34/82
4,227,315	A *	10/1980	Hight	34/82
D258,609	S *	3/1981	Vogt	D23/364
4,338,731	A *	7/1982	Shames et al.	34/82
D277,131	S *	1/1985	Shames et al.	D23/393
D314,820	S *	2/1991	Sullivan	D23/393
D342,782	S *	12/1993	Anderson et al.	D23/393
D411,901	S *	7/1999	Gomulinski	D32/25
D423,660	S *	4/2000	Inda	D23/393
6,230,418	B1 *	5/2001	Gomulinski	34/140
6,729,586	B2 *	5/2004	Arguijo et al.	248/65
6,745,491	B1 *	6/2004	Hernandez-Zelaya	34/140
6,951,063	B1 *	10/2005	Hernandez-Zelaya	34/140
6,997,966	B2 *	2/2006	Iantorno	55/385.1

D604,828	S *	11/2009	Krohmer et al.	D23/393
D635,239	S *	3/2011	Liebson et al.	D23/393
2010/0031527	A1 *	2/2010	Robinson et al.	34/235

* cited by examiner

Primary Examiner — T. Chase Nelson

Assistant Examiner — Kathleen M Sims

(74) *Attorney, Agent, or Firm* — Klemchuk Kubasta LLP;
Kelly J. Kubasta

(57) **CLAIM**

The ornamental design for a vent attachment for a clothes dryer, as shown and described.

DESCRIPTION

FIG. 1 is a perspective view of a vent attachment for a clothes dryer showing our new design;

FIG. 2 is a front elevational view of the vent attachment shown in FIG. 1;

FIG. 3 is a rear elevational view of the vent attachment shown in FIG. 1;

FIG. 4 is a first side elevation view of the vent attachment shown in FIG. 1;

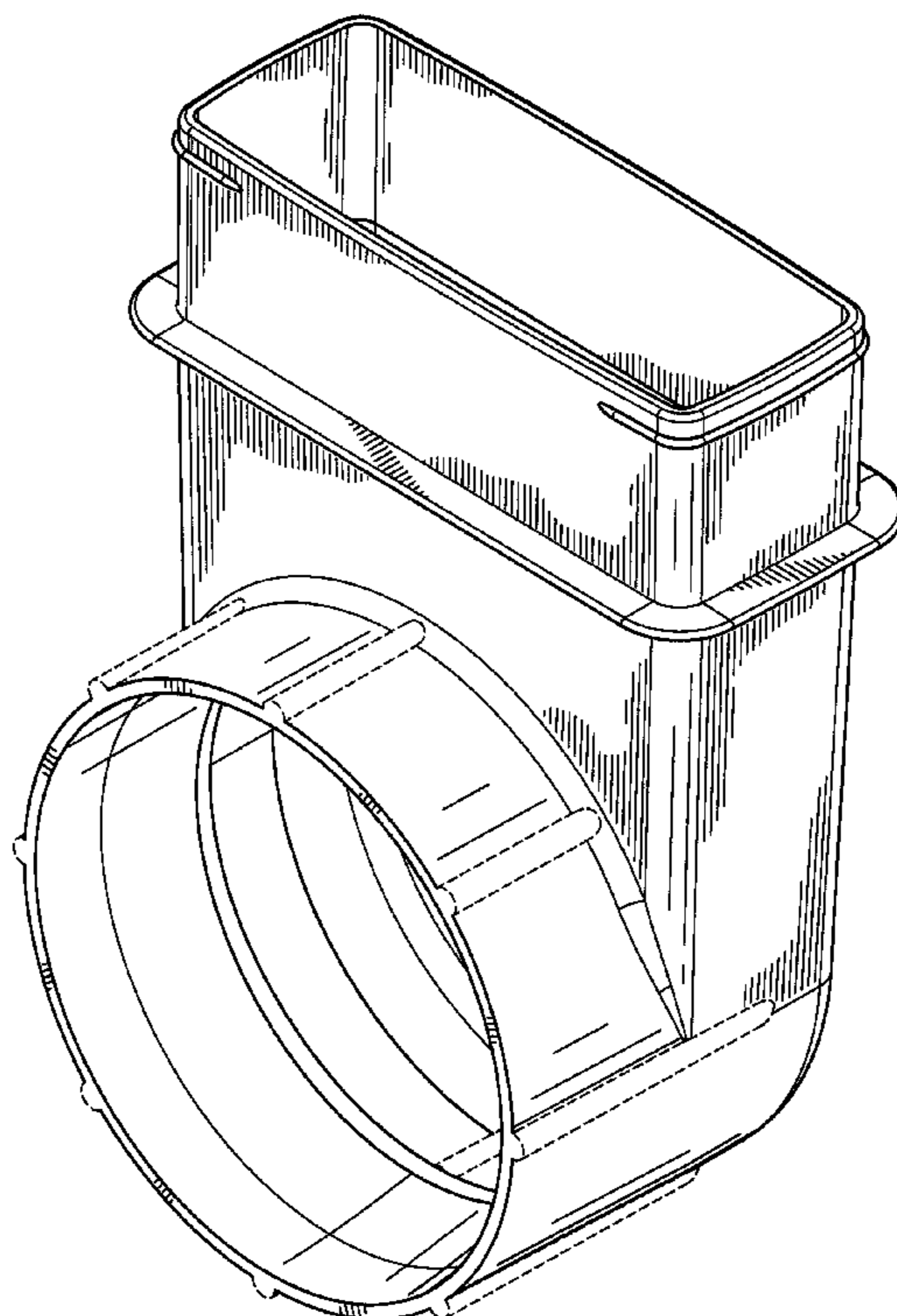
FIG. 5 is a second side elevation view of the vent attachment shown in FIG. 1;

FIG. 6 is a top plan view of the vent attachment shown in FIG. 1; and,

FIG. 7 is a bottom plan view of the vent attachment shown in FIG. 1.

The broken lines shown on FIGS. 1-7 are for illustration only and form no part of the claimed design.

1 Claim, 6 Drawing Sheets



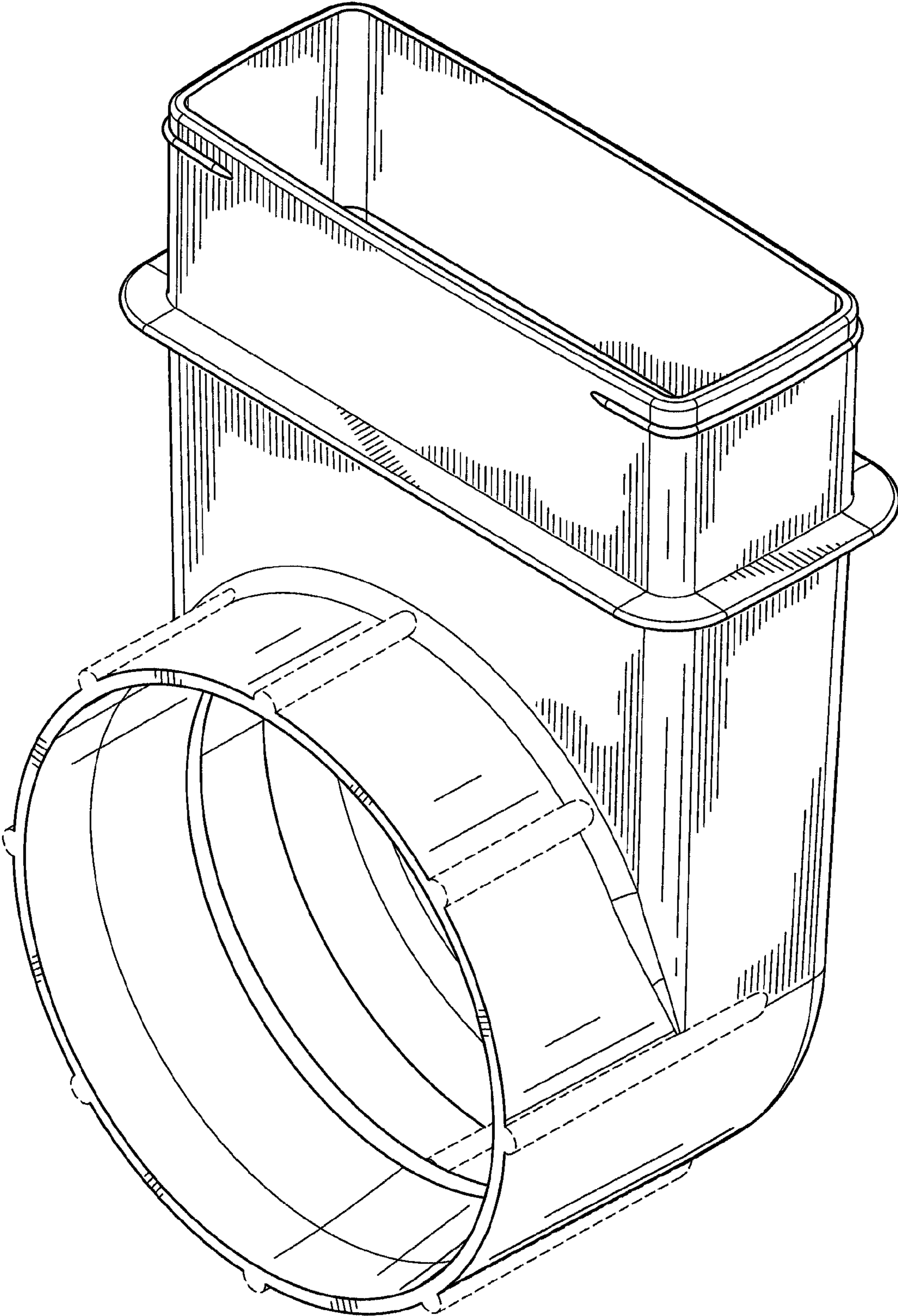


FIG. 1

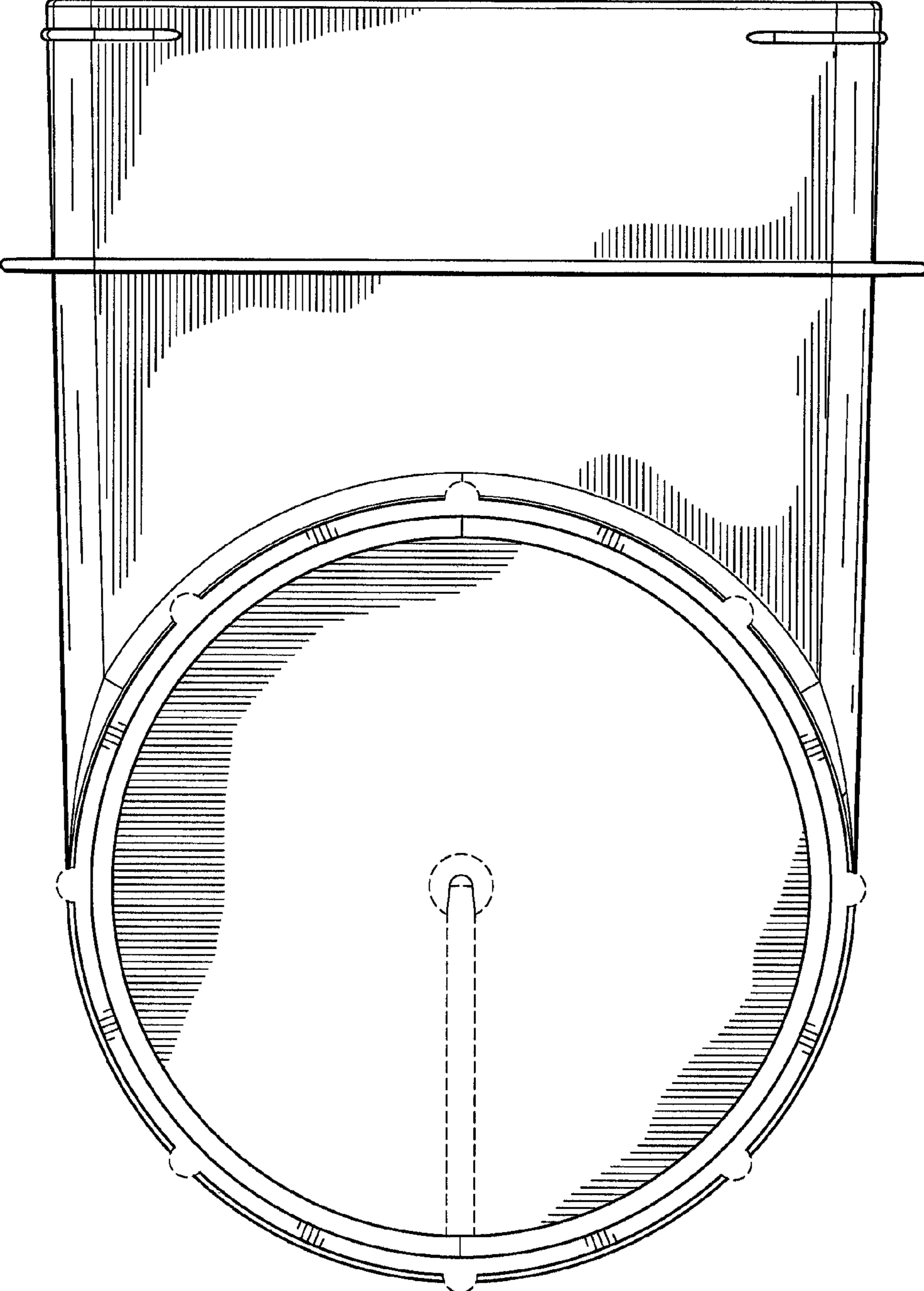


FIG. 2

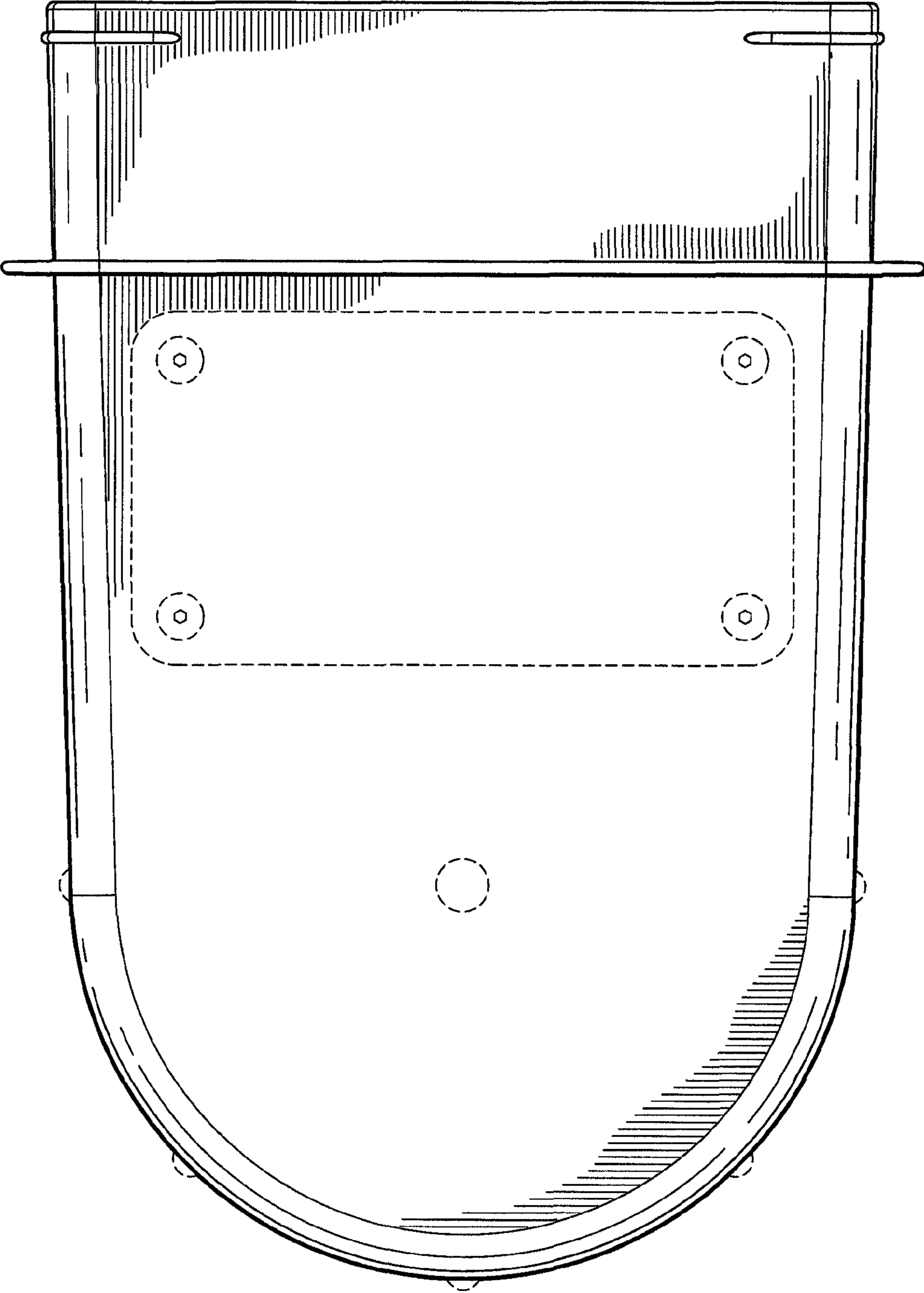


FIG. 3

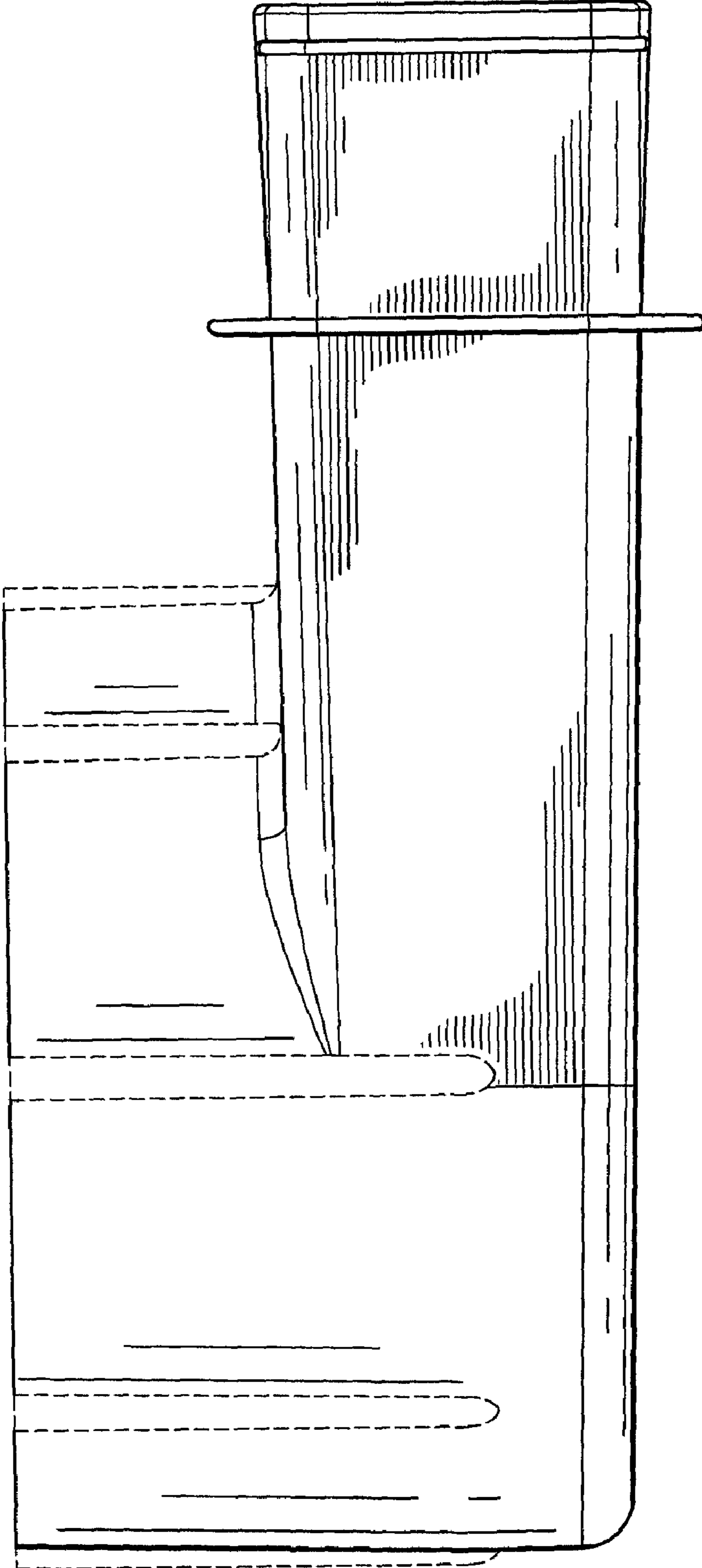


FIG. 4

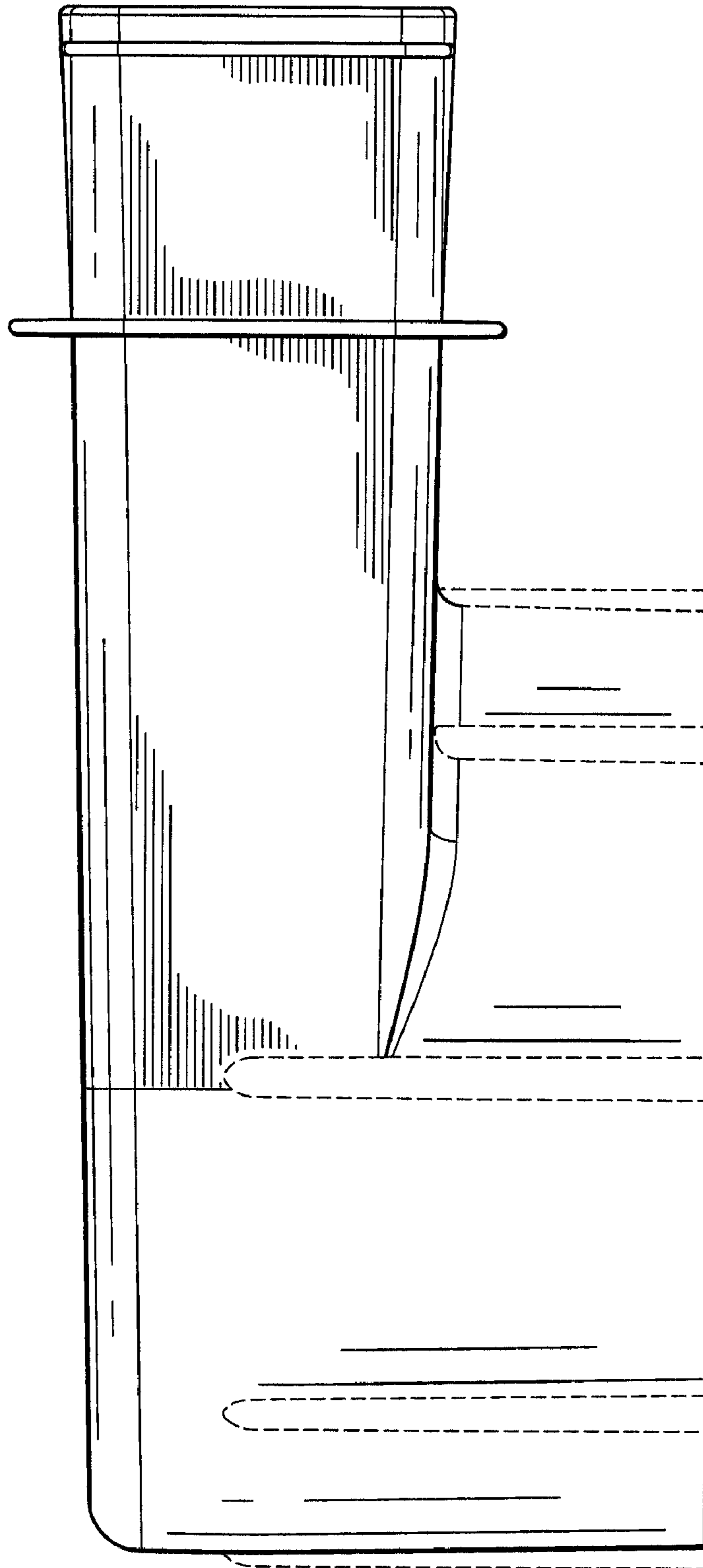


FIG. 5

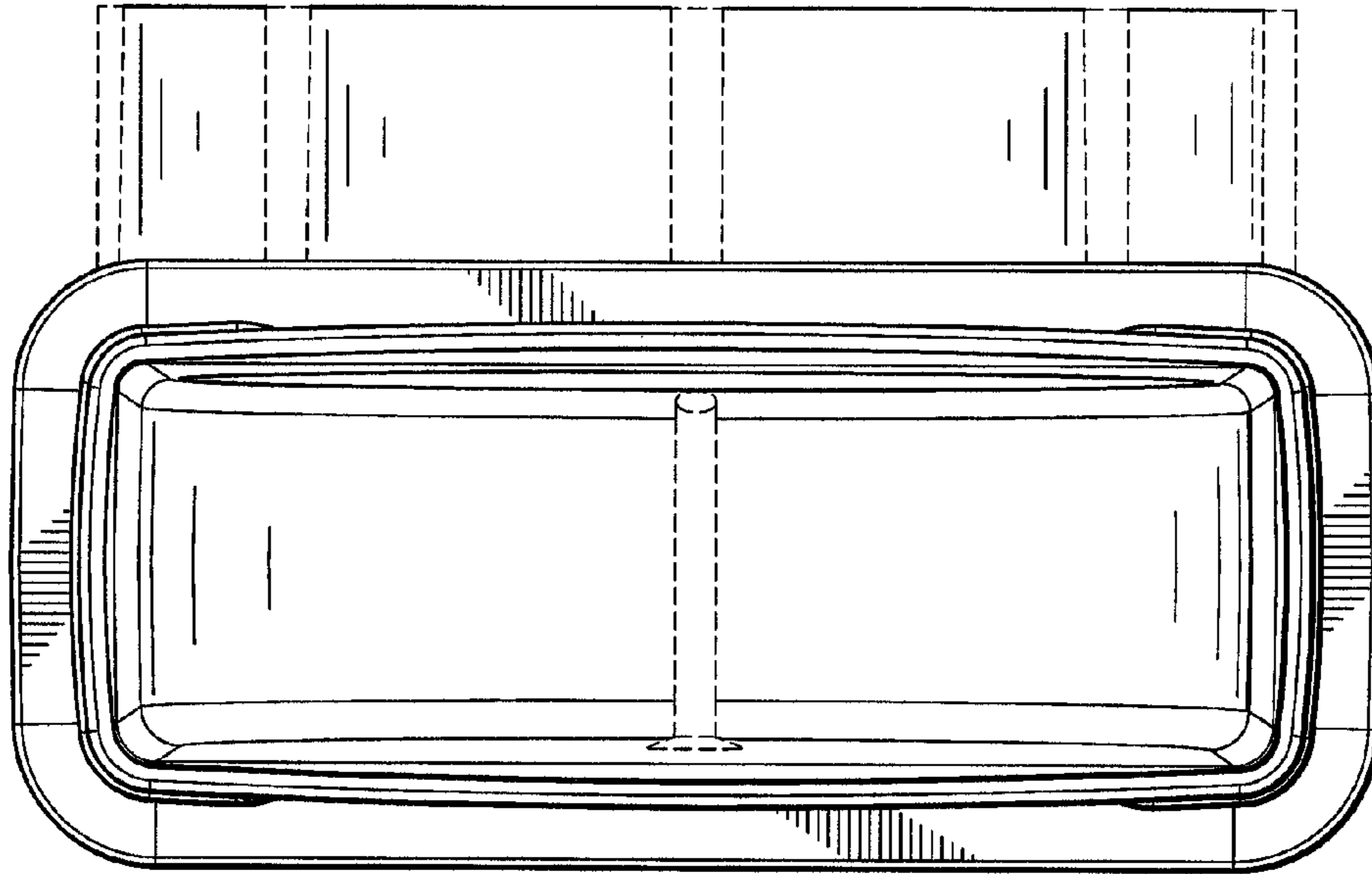


FIG. 6

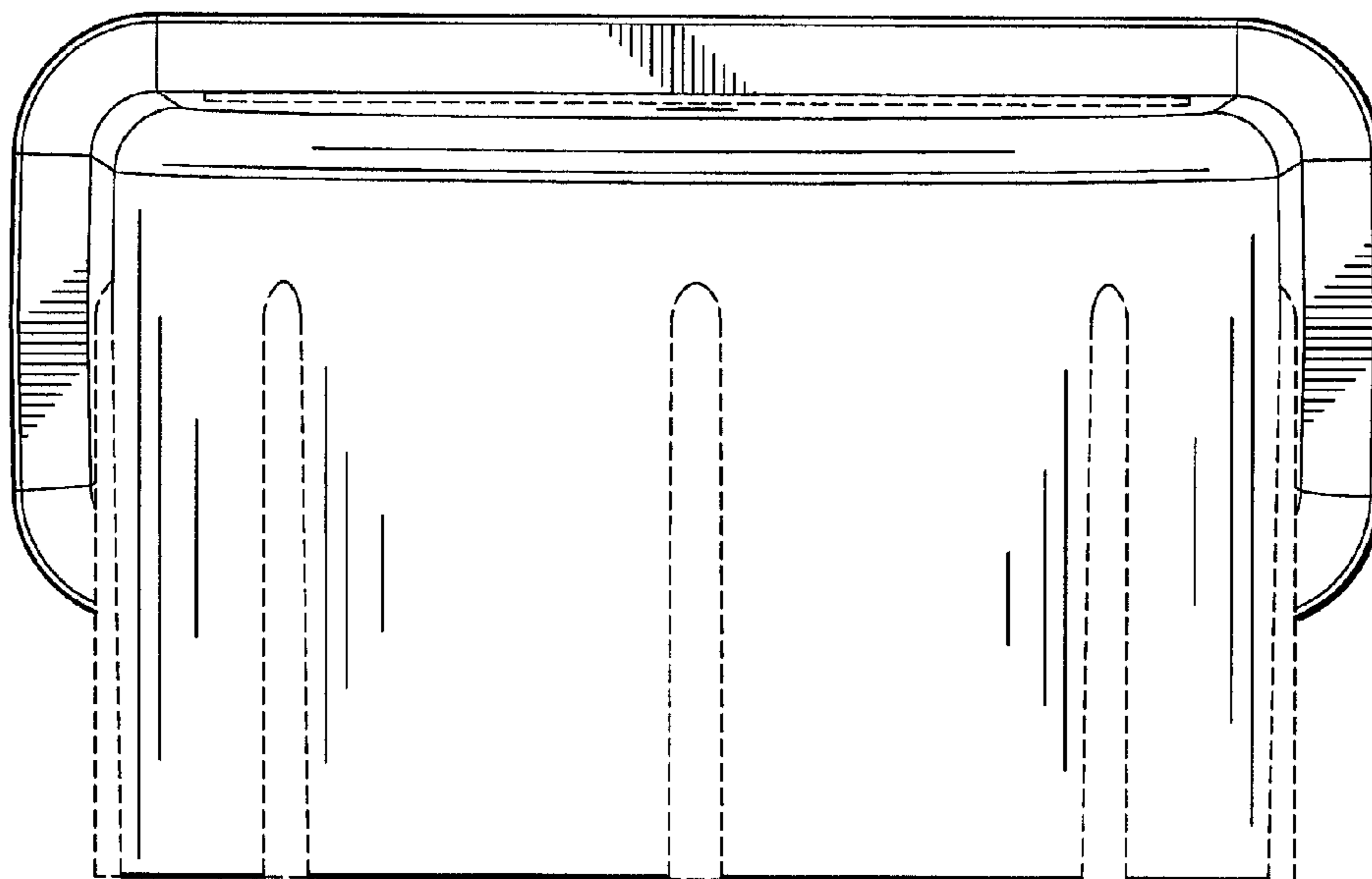


FIG. 7