



US00D658826S

(12) **United States Design Patent**
Hillman

(10) **Patent No.:** **US D658,826 S**

(45) **Date of Patent:** **** May 1, 2012**

(54) **PORTABLE PET URINE RESERVOIR**

(76) Inventor: **Kathleen Hillman**, Jupiter, FL (US)

(**) Term: **14 Years**

(21) Appl. No.: **29/387,522**

(22) Filed: **Mar. 14, 2011**

(51) **LOC (9) Cl.** **30-99**

(52) **U.S. Cl.** **D30/161**

(58) **Field of Classification Search** D30/161;
119/161-163, 165-170

See application file for complete search history.

(56) **References Cited**

U.S. PATENT DOCUMENTS

2,390,854	A *	12/1945	Thompson	119/161
3,762,369	A *	10/1973	Barnum	119/161
D233,771	S *	11/1974	Dirck	D30/161
3,890,931	A *	6/1975	Saver	119/161
D307,201	S *	4/1990	Gold	D30/161
D351,694	S *	10/1994	Evans	D30/161
5,816,195	A *	10/1998	Flynn	119/165
6,079,363	A *	6/2000	MacLaine	119/161
D435,149	S *	12/2000	Kleinberg	D30/161
D498,025	S *	11/2004	Tessier et al.	D30/161
7,621,233	B2 *	11/2009	Dukes et al.	119/165
D617,959	S *	6/2010	Twu	D30/161
D652,587	S *	1/2012	Matsuo et al.	D30/161
2005/0284392	A1 *	12/2005	Hillman	119/169

2006/0156992	A1 *	7/2006	Costa	119/161
2008/0196671	A1 *	8/2008	Dukes et al.	119/163
2009/0178622	A1 *	7/2009	Havluciyanyan	119/161

* cited by examiner

Primary Examiner — Cathy A MacCormac

(74) *Attorney, Agent, or Firm* — Steven M. Greenberg, Esq.;
Carey Rodriguez Greenberg & O'Keefe, LLP

(57) **CLAIM**

The ornamental design for a portable pet urine reservoir, as shown and described.

DESCRIPTION

FIG. 1 is a rear, left side perspective view of a portable pet urine reservoir according to my new design.

FIG. 2 is a front view of the portable pet urine reservoir thereof.

FIG. 3 is a rear view of the portable pet urine reservoir thereof.

FIG. 4 is a left-side view of the portable pet urine reservoir thereof.

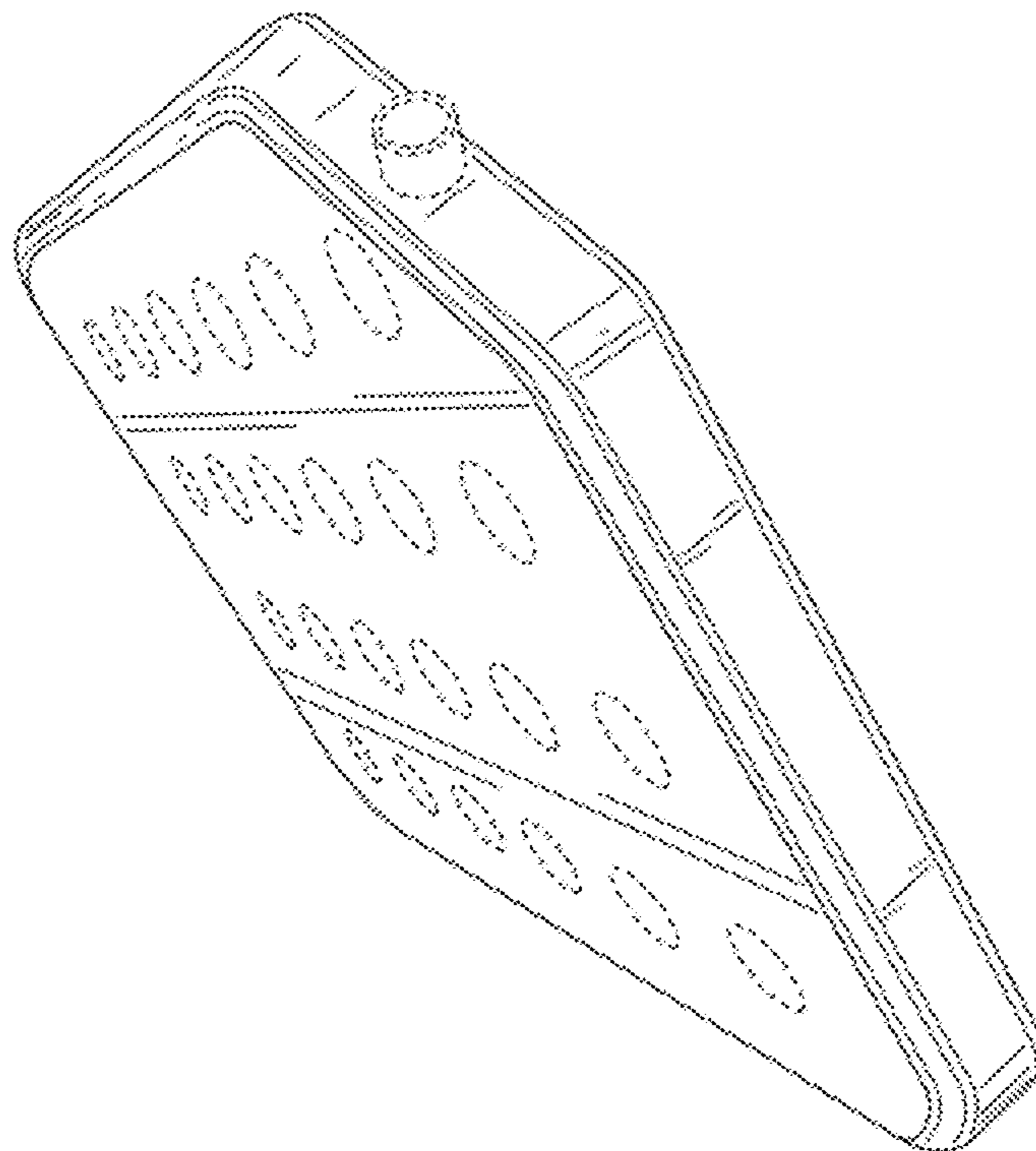
FIG. 5 is a right-side view of the portable pet urine reservoir thereof.

FIG. 6 is a top view of the portable pet urine reservoir thereof; and,

FIG. 7 is a bottom view of the portable pet urine reservoir thereof.

The broken lines are for illustrative purposes only and form no part of the claimed design.

1 Claim, 5 Drawing Sheets



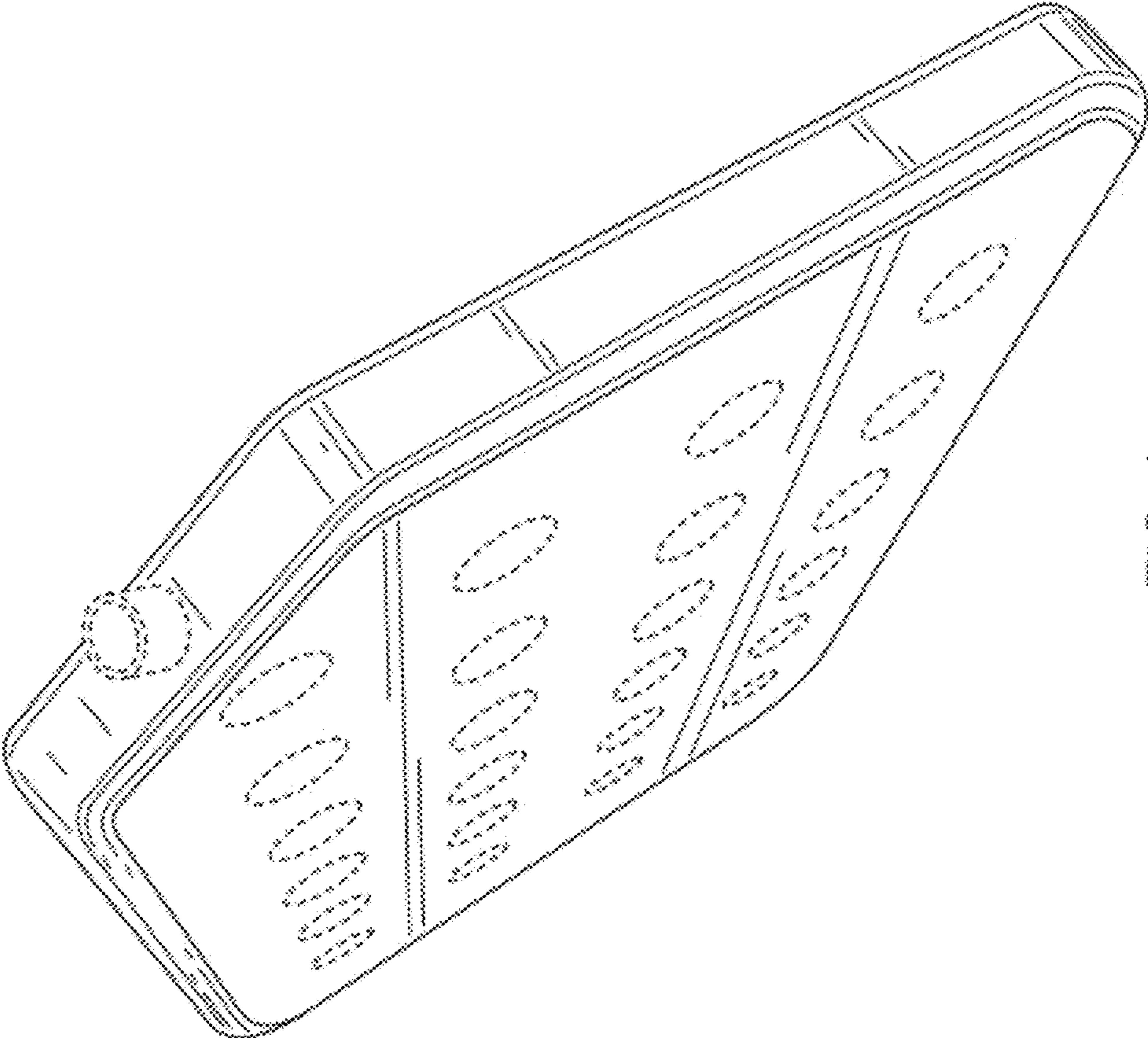


FIG. 1

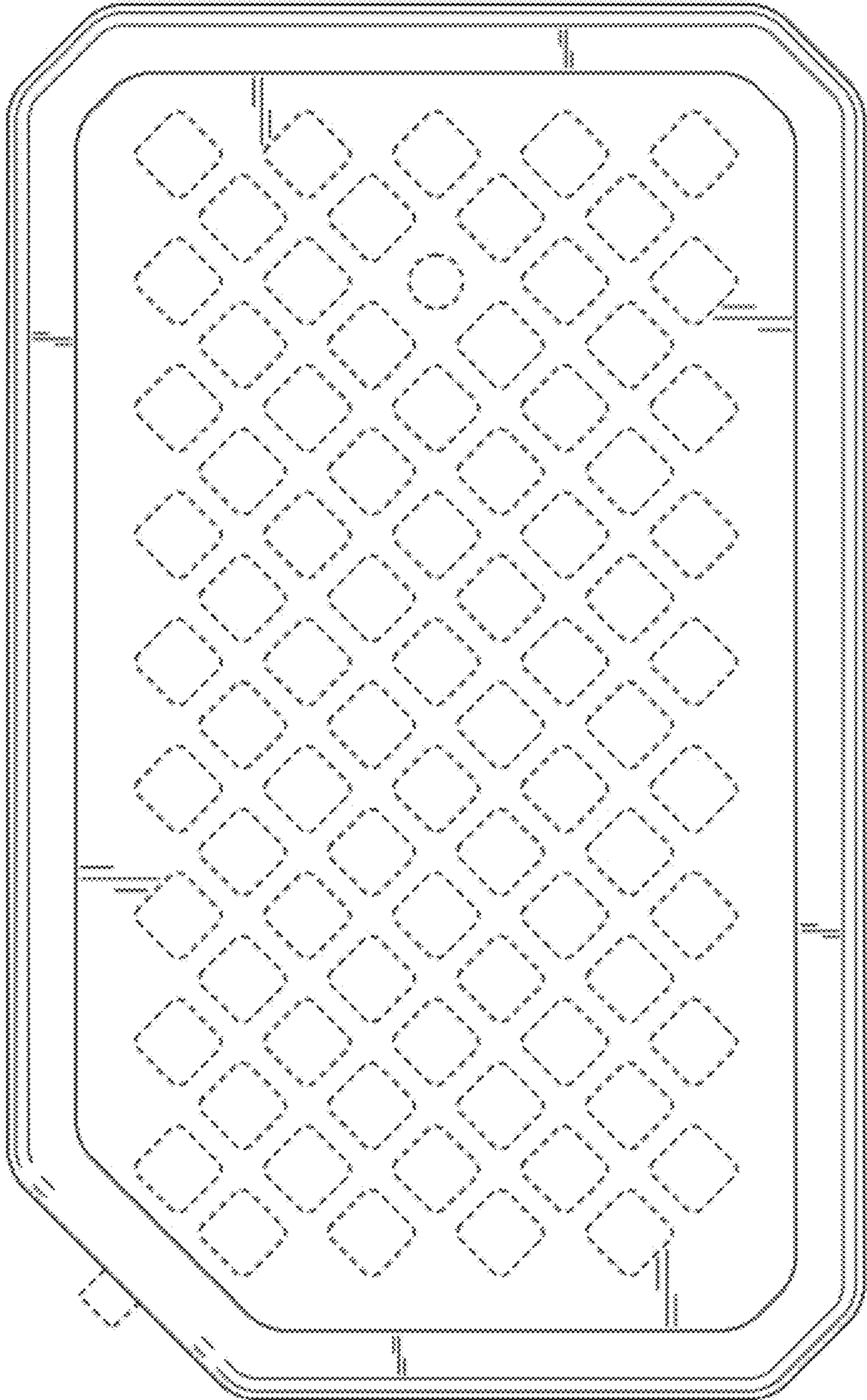


FIG. 2

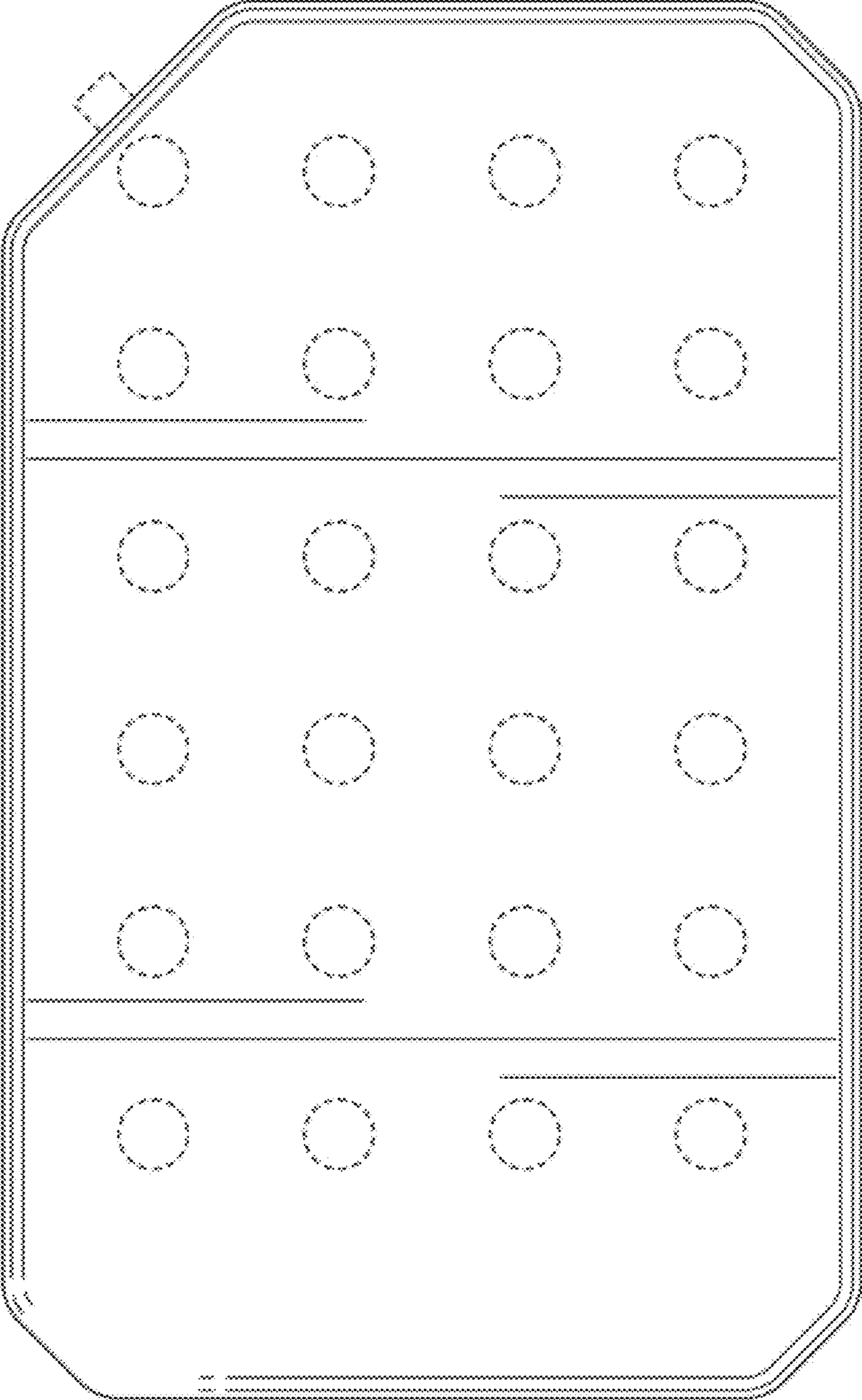


FIG. 3

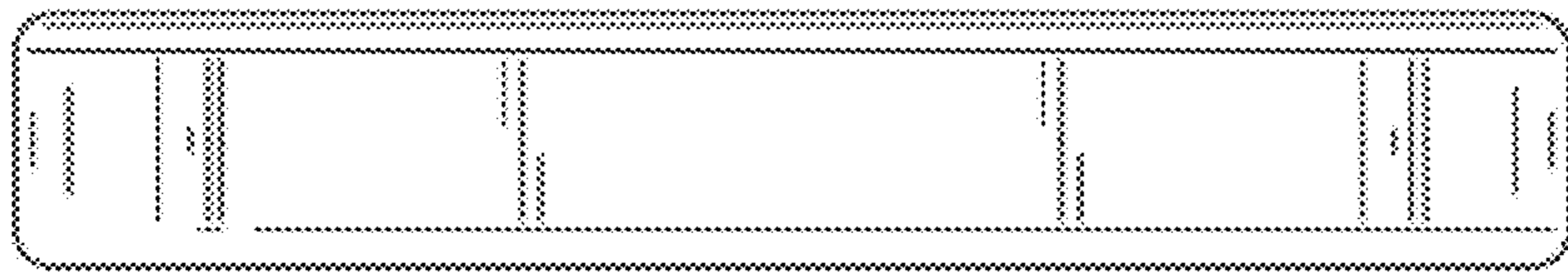


FIG. 5



FIG. 4

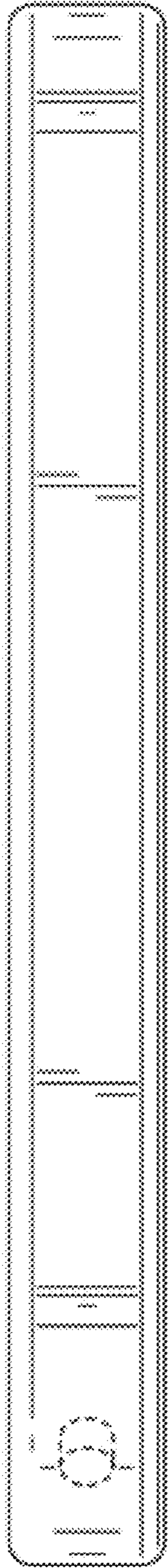


FIG. 6

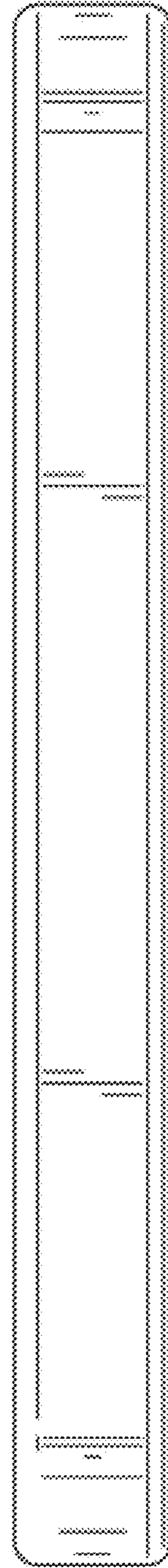


FIG. 7