



US00D658813S

(12) **United States Design Patent**  
**Manzo**

(10) **Patent No.:** **US D658,813 S**  
(45) **Date of Patent:** **\*\* May 1, 2012**

(54) **MOUTHGUARD**  
(75) Inventor: **Joseph S. Manzo**, Lansdale, PA (US)  
(73) Assignee: **Brain-Pad Incorporated**,  
Conshohocken, PA (US)  
(\*\*) Term: **14 Years**  
(21) Appl. No.: **29/363,958**  
(22) Filed: **Jun. 16, 2010**  
(51) **LOC (9) Cl.** ..... **29-02**  
(52) **U.S. Cl.** ..... **D29/108**  
(58) **Field of Classification Search** ..... D29/100,  
D29/108, 111, 122; D24/108-110.5, 181;  
128/859, 860, 861, 862, 846, 857, 848; 602/902;  
433/6, 18, 24, 168.1; 2/9, 424, 425  
See application file for complete search history.

4,810,192 A 3/1989 Williams  
4,944,947 A 7/1990 Newman  
4,955,393 A 9/1990 Adell  
4,977,905 A 12/1990 Kittelsen et al.  
5,092,346 A 3/1992 Hays  
5,117,816 A 6/1992 Shapiro  
D328,494 S \* 8/1992 Schwendeman et al. .... D24/176  
5,165,424 A 11/1992 Silverman  
5,277,202 A 1/1994 Hays  
5,447,168 A 9/1995 Bancroft  
5,462,066 A 10/1995 Snyder  
5,636,379 A 6/1997 Williams  
D382,965 S 8/1997 Wagner  
D406,405 S 3/1999 Yoshida  
D408,919 S 4/1999 Cooley  
D434,501 S 11/2000 Redhage  
D452,011 S 12/2001 Redhage  
6,491,036 B2 12/2002 Cook  
6,494,210 B1 12/2002 Mams  
D473,976 S 4/2003 Wilkens  
6,584,978 B1 7/2003 Brett et al.

(Continued)

(56) **References Cited**

U.S. PATENT DOCUMENTS

1,674,336 A 6/1928 King  
2,483,157 A 9/1949 Singer  
2,521,039 A 9/1950 Carpenter  
2,590,118 A 3/1952 Oddo, Jr.  
2,966,908 A 1/1961 Cathcart et al.  
3,126,002 A 3/1964 Owens  
3,236,235 A \* 2/1966 Jacobs ..... 128/862  
3,247,844 A 4/1966 Berghash  
3,312,218 A 4/1967 Jacobs  
3,333,582 A \* 8/1967 Cathcart ..... 128/862  
D212,848 S 12/1968 Westlund  
3,457,916 A 7/1969 Wolicki  
D215,685 S 10/1969 Helmer  
3,513,838 A 5/1970 Dammermann et al.  
3,682,164 A 8/1972 Miller  
3,692,025 A 9/1972 Greenberg  
D228,048 S 8/1973 Miller  
4,044,762 A 8/1977 Jacobs  
4,370,129 A 1/1983 Huge  
4,376,628 A 3/1983 Aardse  
4,568,280 A 2/1986 Ahlin  
4,765,324 A 8/1988 Lake, Jr.  
4,791,941 A 12/1988 Schaefer

Primary Examiner — Elizabeth J Oswecki

(74) *Attorney, Agent, or Firm* — John F. Letchford; Archer & Greiner, P.C.

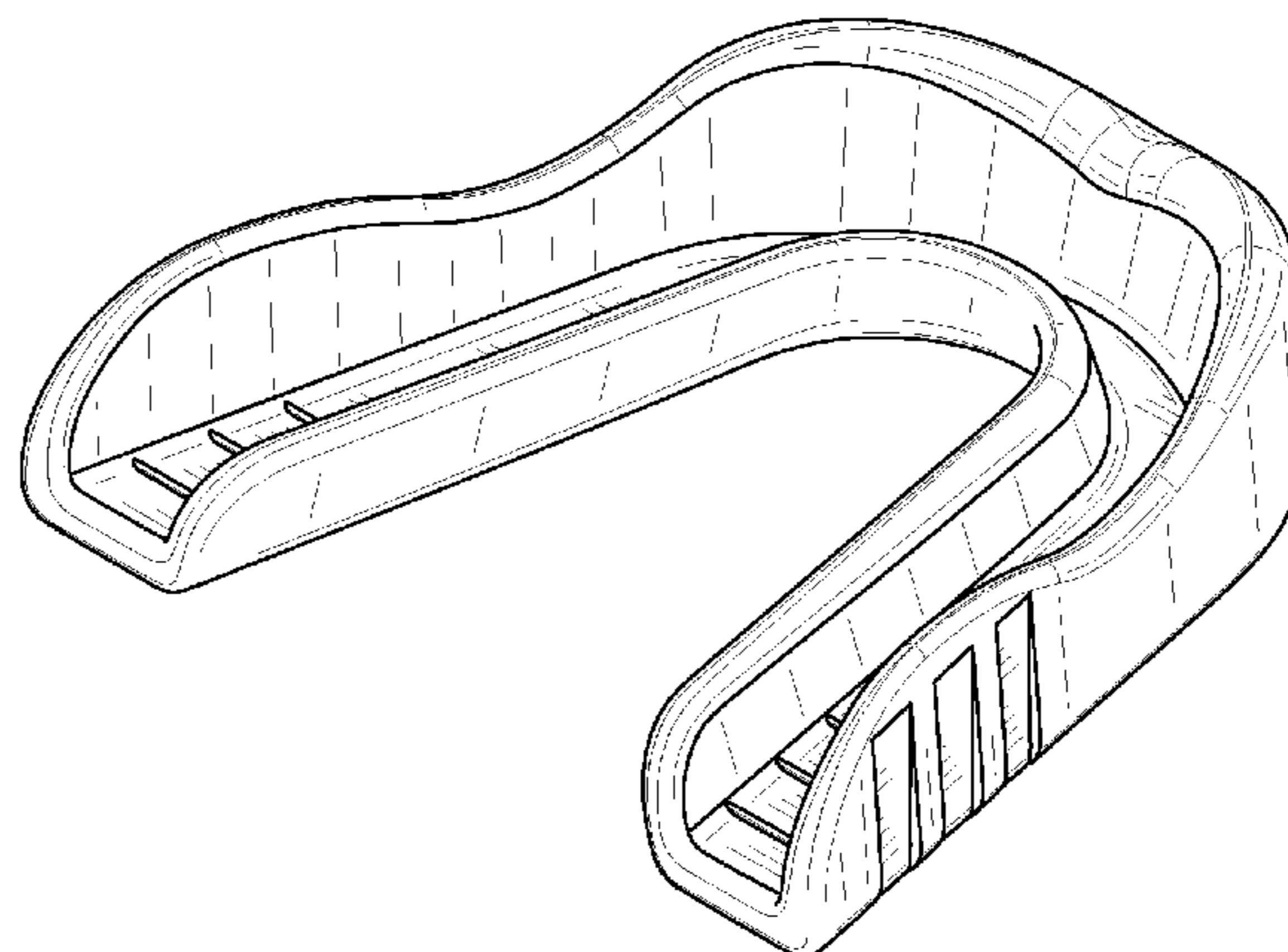
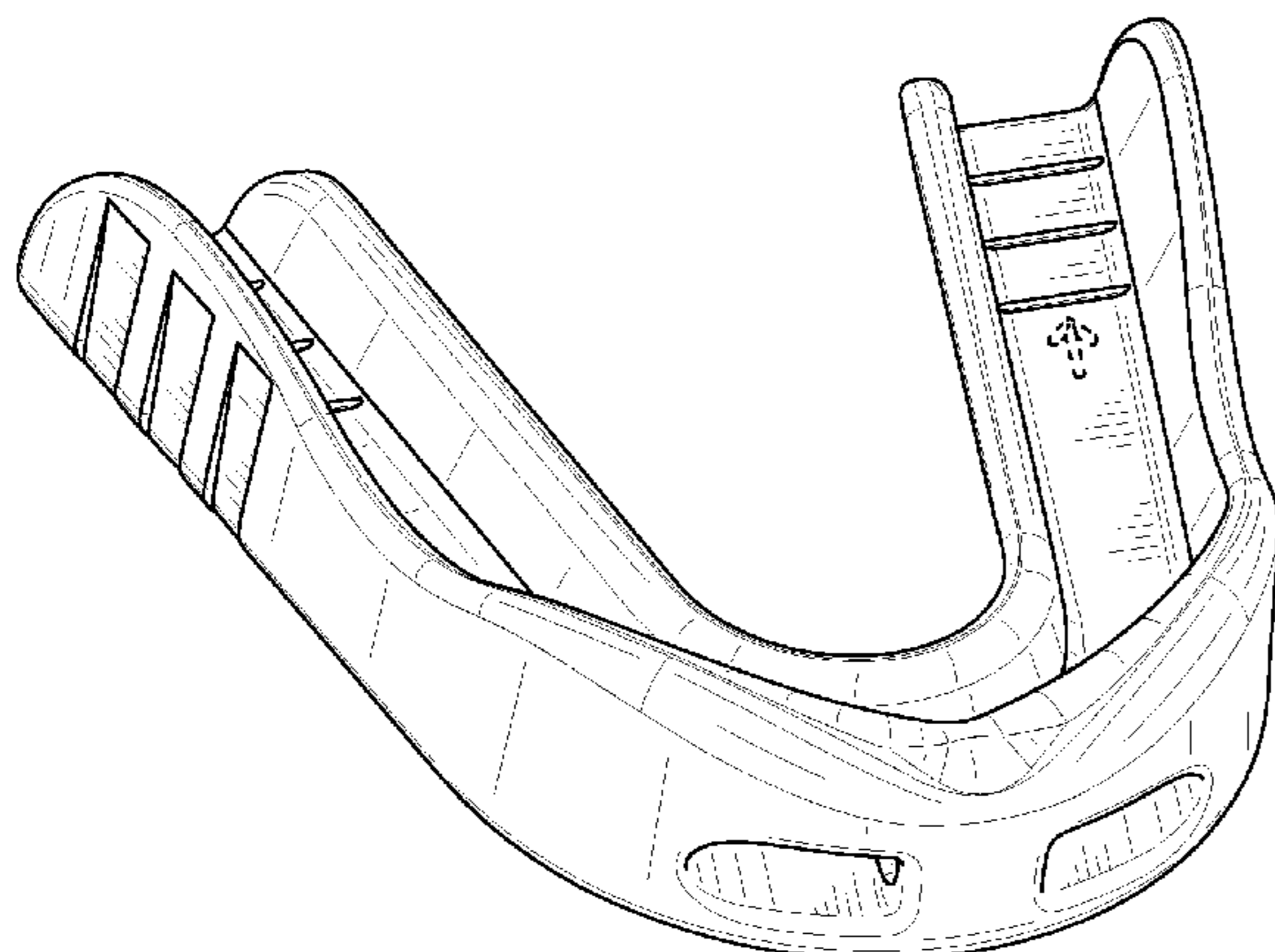
(57) **CLAIM**

The ornamental design for a mouthguard, as shown and described.

**DESCRIPTION**

FIG. 1 is a front perspective view of a mouthguard showing my new design;  
FIG. 2 is a rear perspective view thereof;  
FIG. 3 is a front elevational view thereof;  
FIG. 4 is a rear elevational view thereof;  
FIG. 5 is a top plan view thereof;  
FIG. 6 is a bottom plan view thereof;  
FIG. 7 is a right elevational view thereof; and,  
FIG. 8 is a left elevational view thereof.  
In the drawings, the broken lines in FIGS. 1 and 5 depict portions of the design that form no part of the claim.

**1 Claim, 5 Drawing Sheets**



# US D658,813 S

Page 2

## U.S. PATENT DOCUMENTS

D492,785 S *	7/2004	Garabito .....	D24/181	D537,987 S	3/2007	Manzo et al.	
D493,578 S	7/2004	Manzo et al.		D548,402 S *	8/2007	Trodick .....	D29/108
D495,799 S	9/2004	Hirsch et al.		D548,403 S	8/2007	Manzo et al.	
D500,895 S	1/2005	Manzo et al.		D554,259 S	10/2007	Diacopoulos	
D504,744 S	5/2005	Hidalgo et al.		7,404,403 B2	7/2008	Farrell	
6,895,970 B1	5/2005	Lawrence et al.		D593,714 S	6/2009	Hirshberg	
D509,028 S	8/2005	Farrell		D595,857 S	7/2009	Massad	
D523,994 S	6/2006	Manzo		D611,658 S	3/2010	Manzo	
D525,749 S	7/2006	Manzo et al.		D615,709 S *	5/2010	Manzo .....	D29/108
D526,093 S	8/2006	Manzo et al.		D616,152 S	5/2010	Manzo	
D526,095 S	8/2006	Manzo et al.		D618,399 S *	6/2010	Manzo .....	D29/108
D527,848 S	9/2006	Manzo et al.		D623,357 S *	9/2010	Manzo et al. ....	D29/108
D529,176 S	9/2006	Moriyama		D627,107 S *	11/2010	Manzo et al. ....	D29/108
D529,615 S	10/2006	Atz		D630,382 S *	1/2011	Manzo et al. ....	D29/108
D530,863 S	10/2006	Manzo et al.		D634,480 S *	3/2011	Manzo et al. ....	D29/108
D532,559 S	11/2006	Manzo et al.		2010/0051038 A1 *	3/2010	Quigless .....	128/861
D537,986 S	3/2007	Manzo et al.					

\* cited by examiner

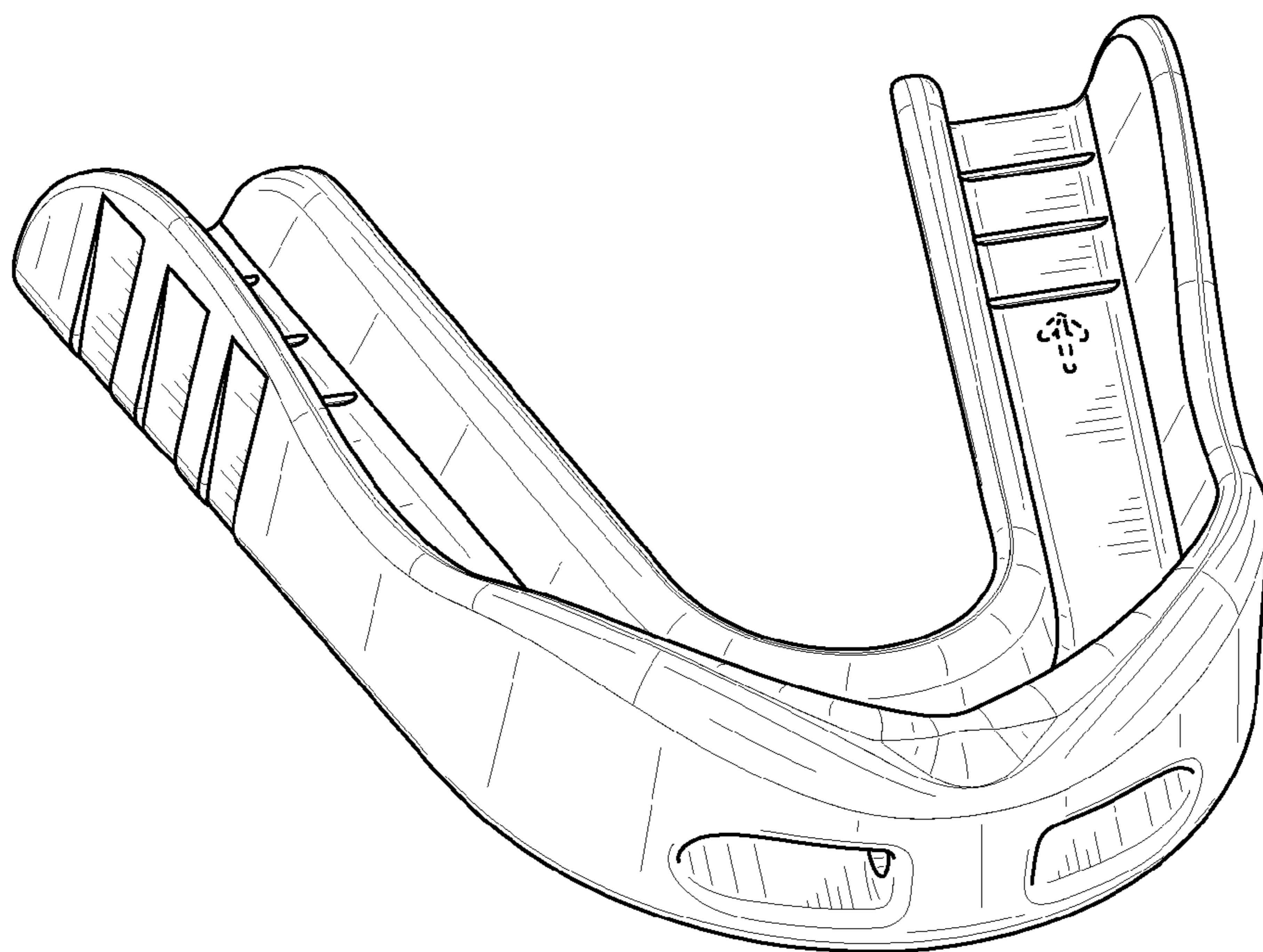


FIG. 1

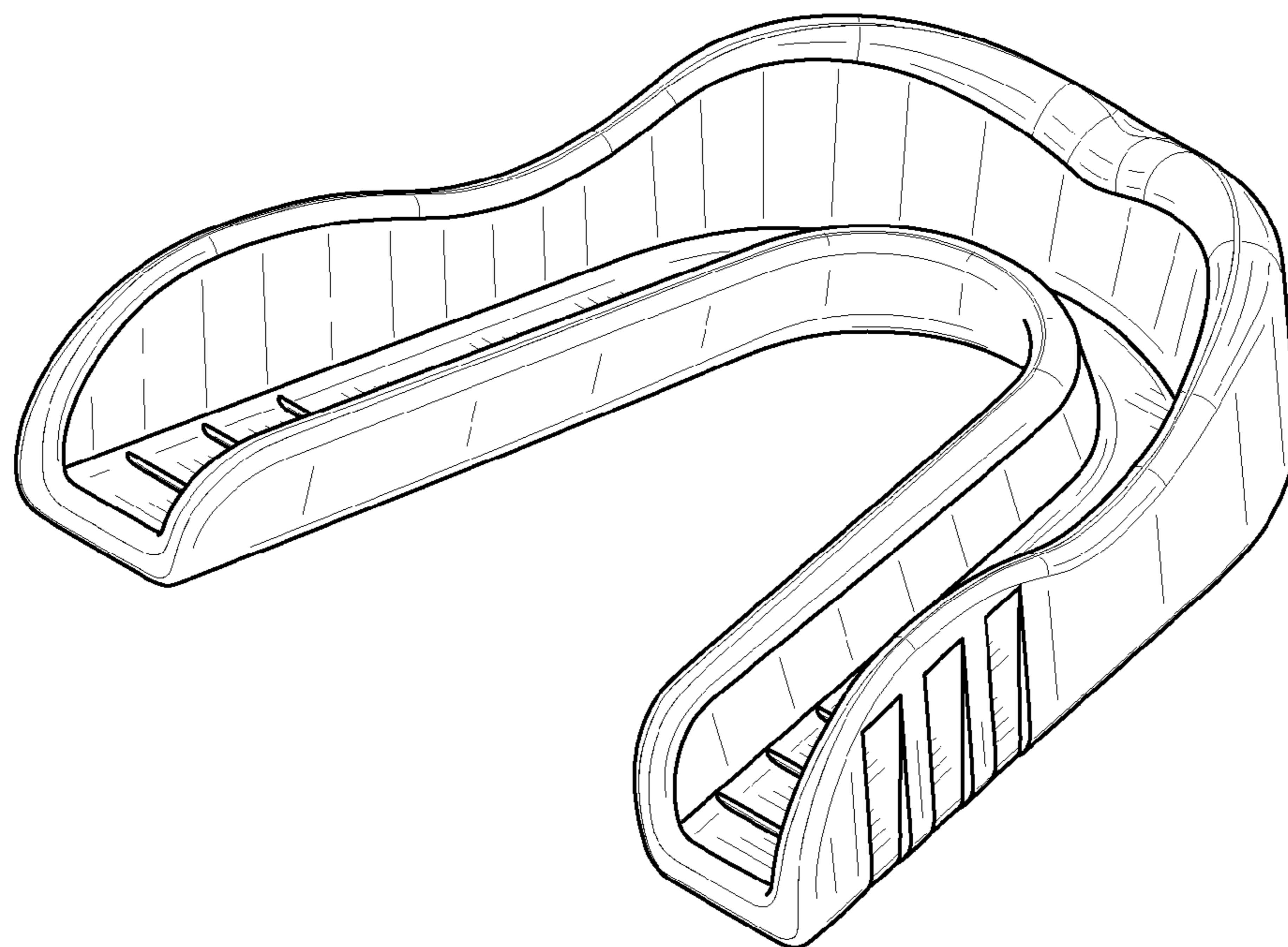


FIG. 2

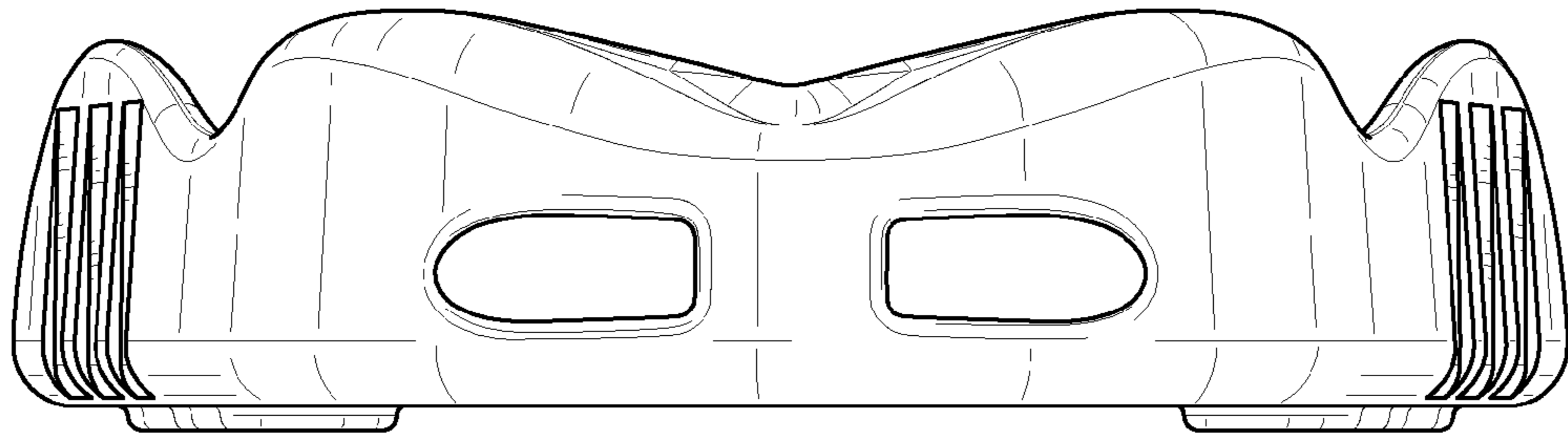


FIG. 3

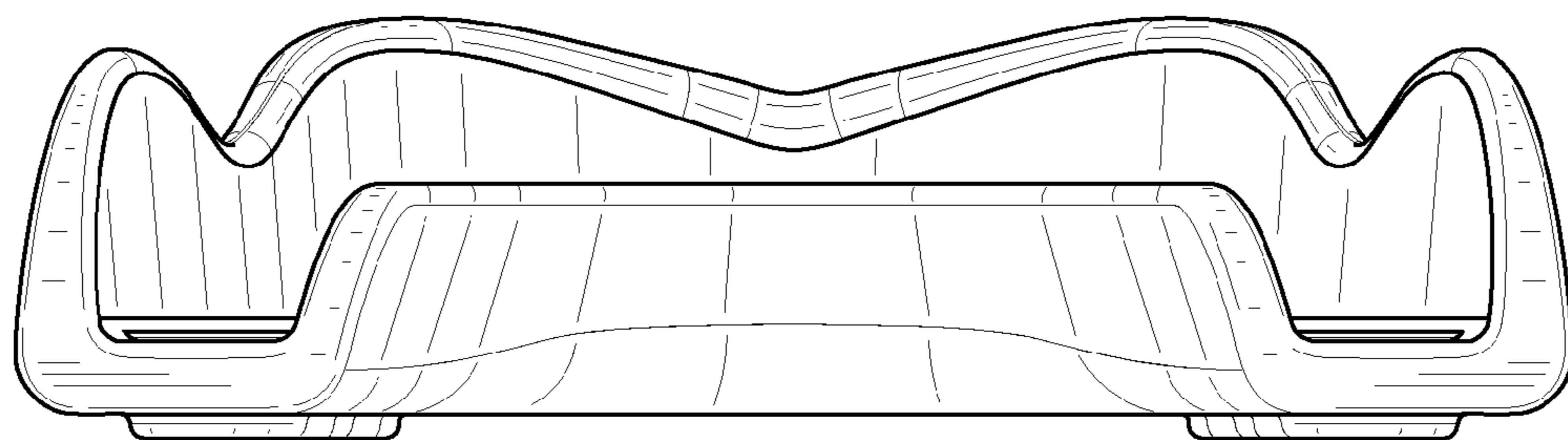


FIG. 4

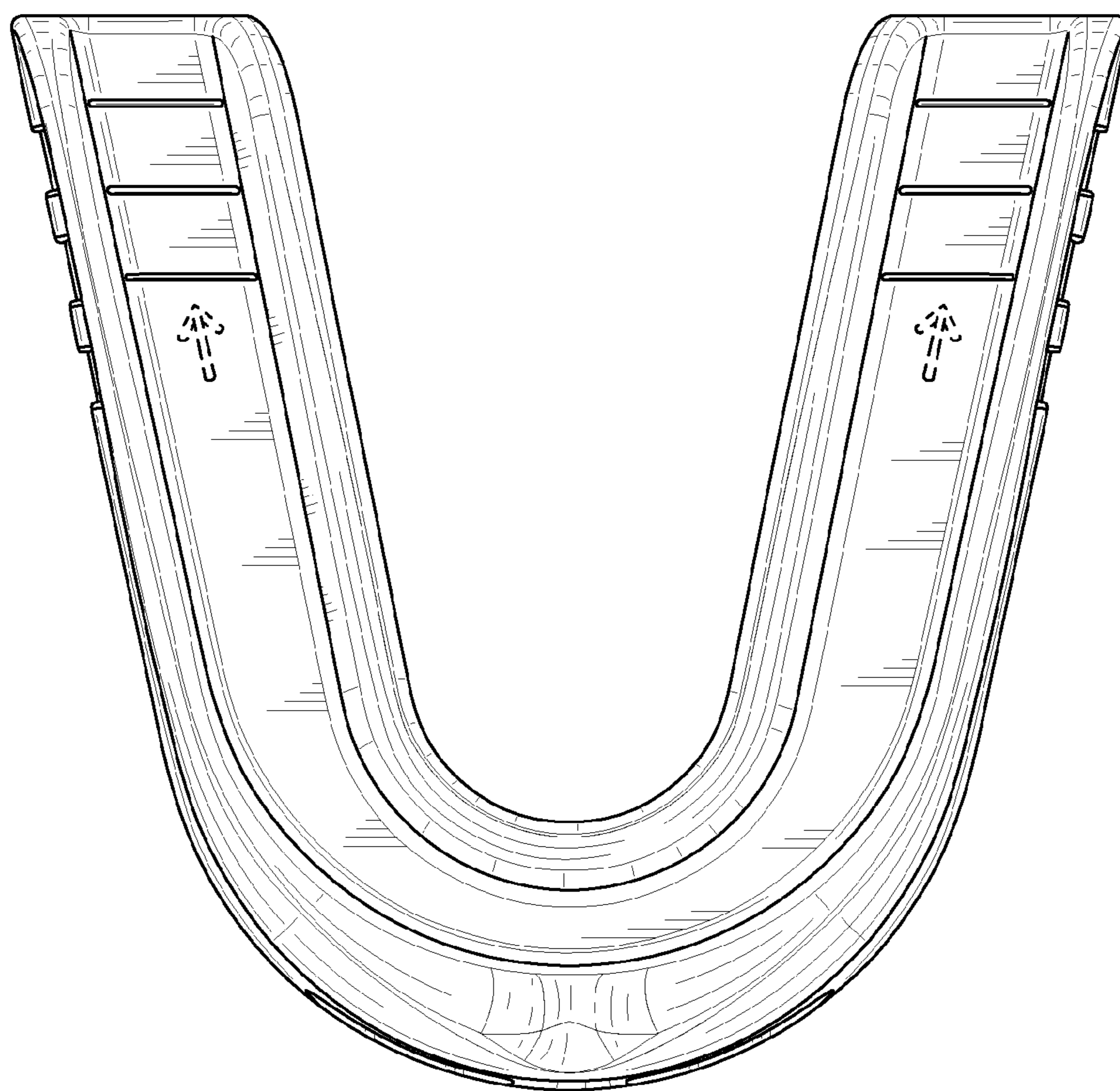


FIG. 5

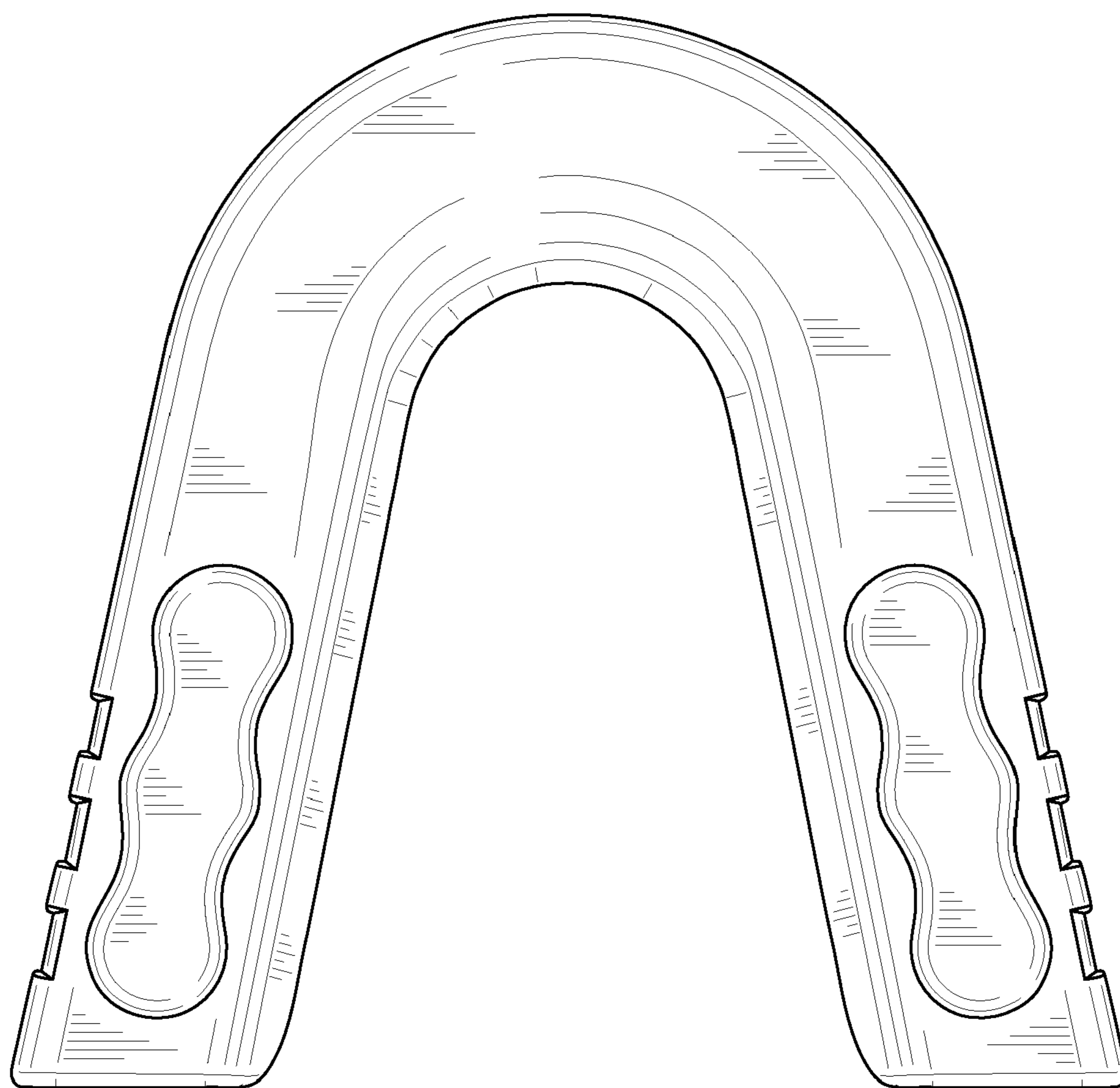


FIG. 6

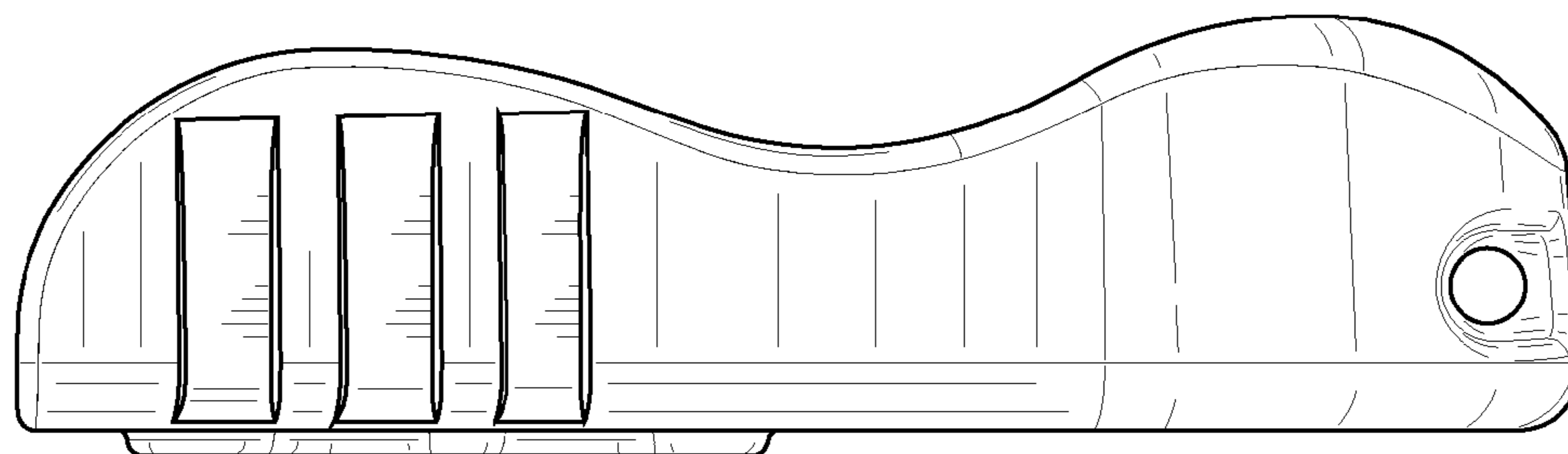


FIG. 7

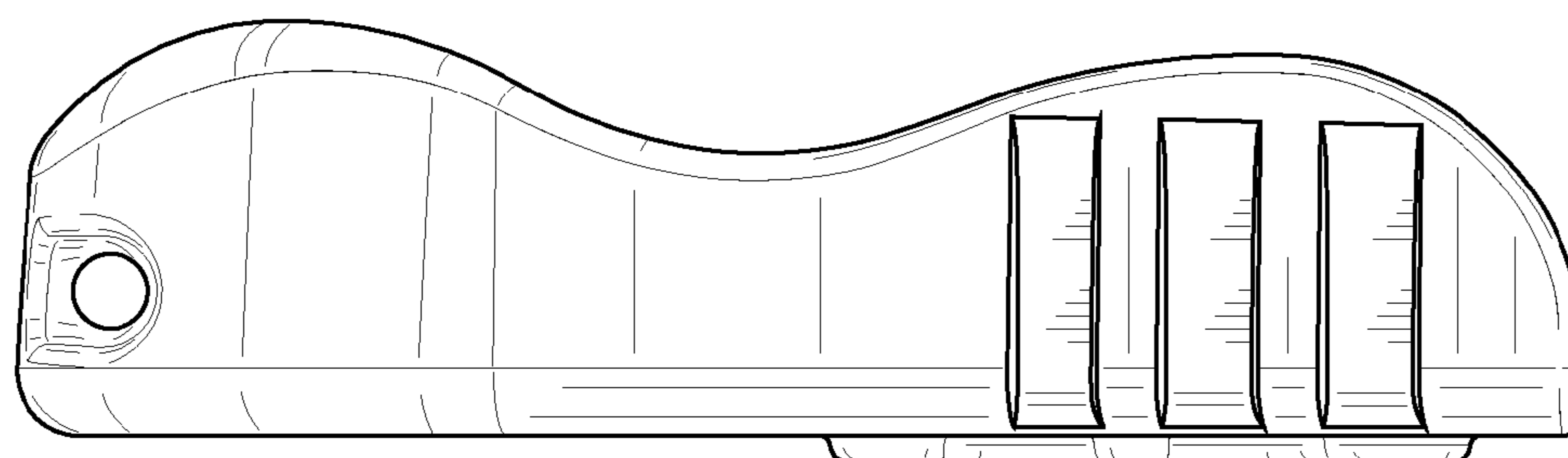


FIG. 8