



US00D658811S

(12) **United States Design Patent**
Evans

(10) **Patent No.:** **US D658,811 S**

(45) **Date of Patent:** **** *May 1, 2012**

(54) **PROTECTIVE GARMENT**

(76) Inventor: **Tamara Evans**, Morris Plains, NJ (US)

(*) Notice: This patent is subject to a terminal disclaimer.

(**) Term: **14 Years**

(21) Appl. No.: **29/393,952**

(22) Filed: **Jun. 10, 2011**

(51) **LOC (9) Cl.** **02-04**

(52) **U.S. Cl.** **D29/101.5**

(58) **Field of Classification Search** D29/100,
D29/101.1, 101.2, 101.3, 101.4, 101.5; D2/717,
D2/750, 840, 841, 844, 858, 610; 2/59, 90,
2/125, 126, 106, 108, 113, 115
See application file for complete search history.

(56) **References Cited**

U.S. PATENT DOCUMENTS

D320,475 S * 10/1991 Jeter, Jr. D29/100
D336,550 S * 6/1993 Bishop D29/101.5

5,729,832 A * 3/1998 Grilliot et al. 2/23
D435,697 S * 12/2000 James et al. D29/100
D590,999 S * 4/2009 Kanavage D29/122
D591,000 S * 4/2009 Kanavage D29/122
D629,998 S * 1/2011 Lambertz D2/704

* cited by examiner

Primary Examiner — Susan Bennett Hattan

Assistant Examiner — Barbara B Lohr

(74) *Attorney, Agent, or Firm* — Myers Wolin, LLC

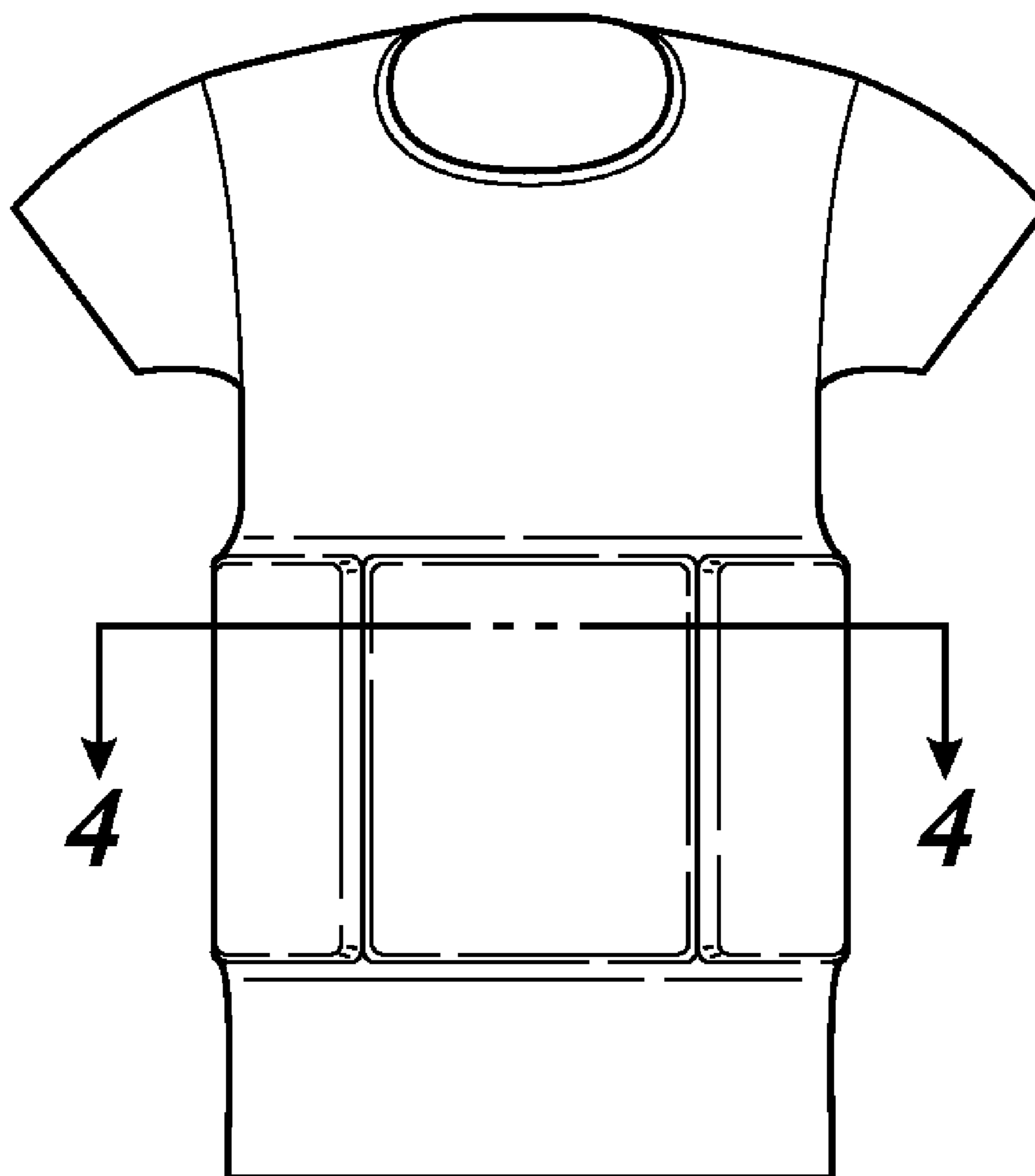
(57) **CLAIM**

I claim the ornamental design for a protective garment, as shown and described.

DESCRIPTION

FIG. 1 is a front elevational view of a protective garment showing my new design;
FIG. 2 is a left side view thereof, the right side view being identical;
FIG. 3 is a rear elevational view thereof; and,
FIG. 4 is a perspective view of an interior of the protective garment taken along line 4-4 of FIG. 1.

1 Claim, 1 Drawing Sheet



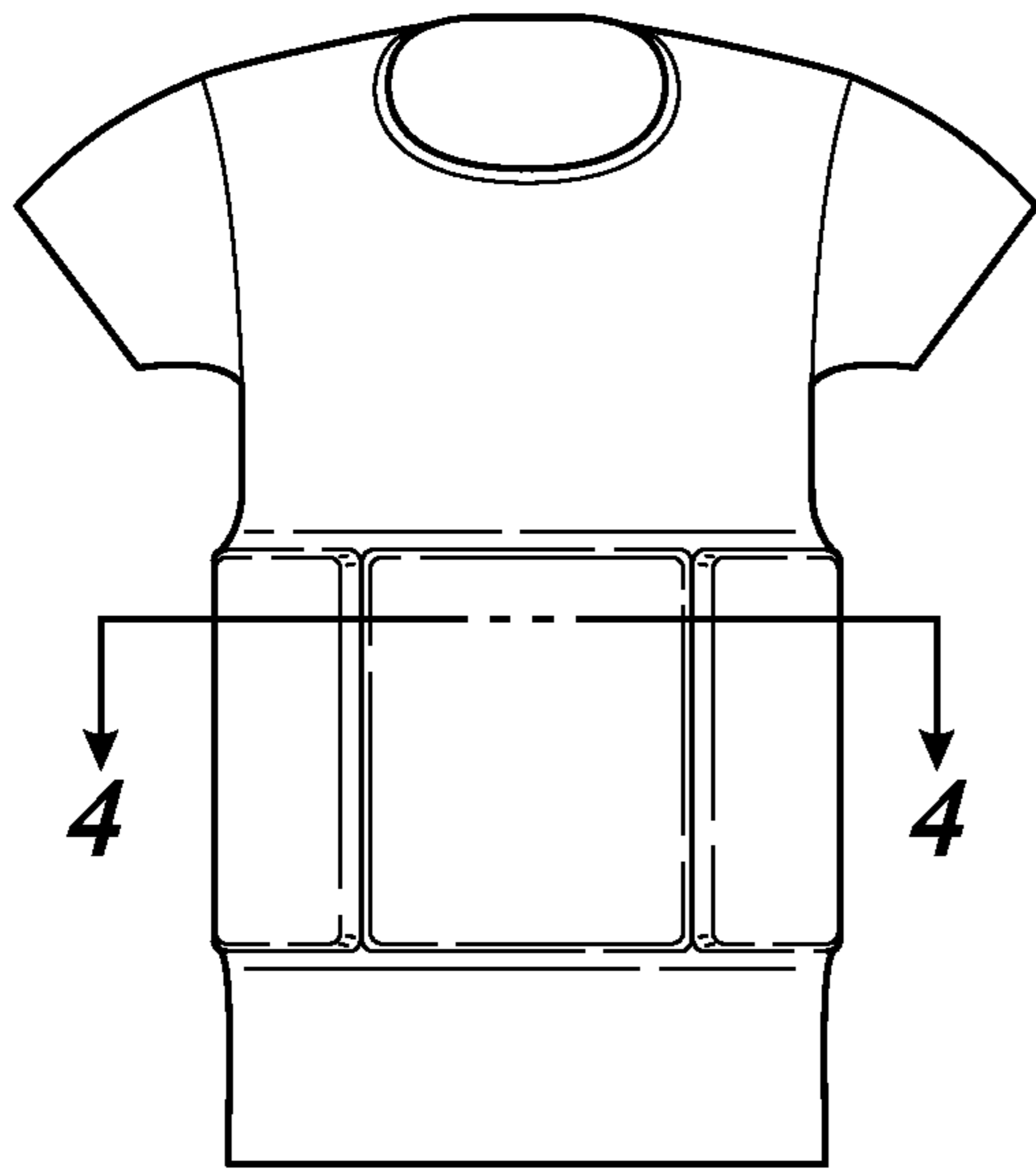


FIG. 1

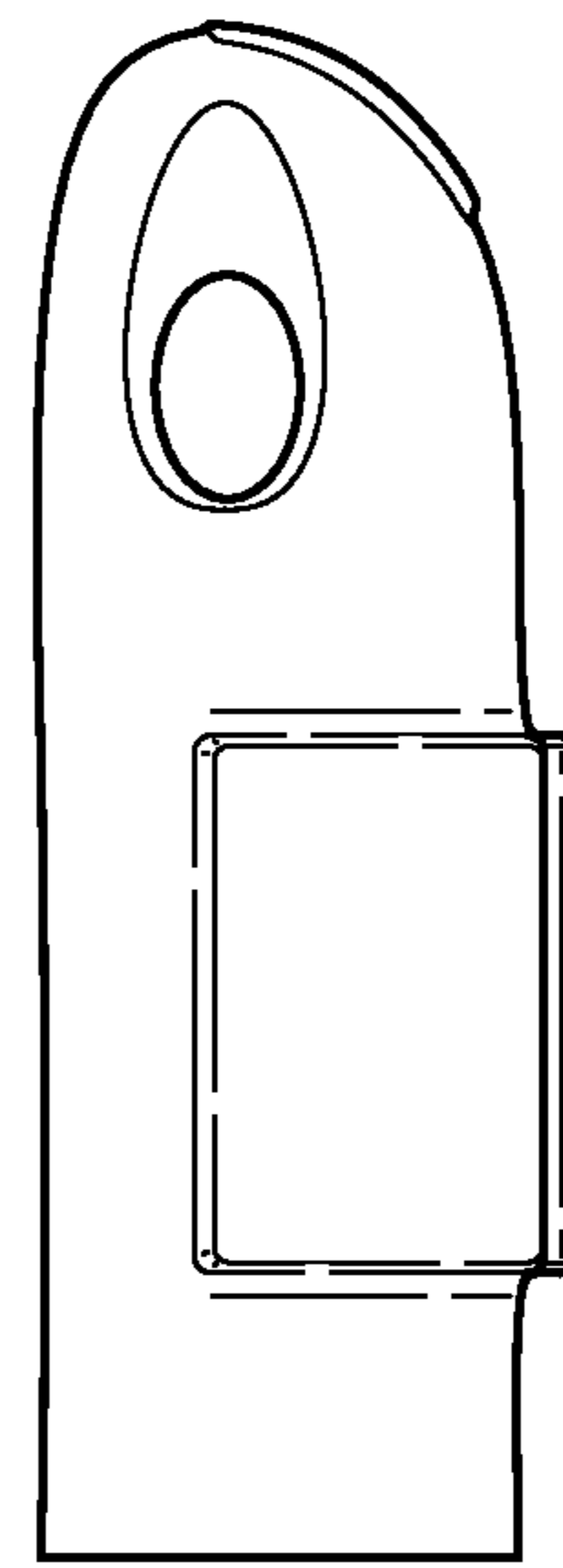


FIG. 2

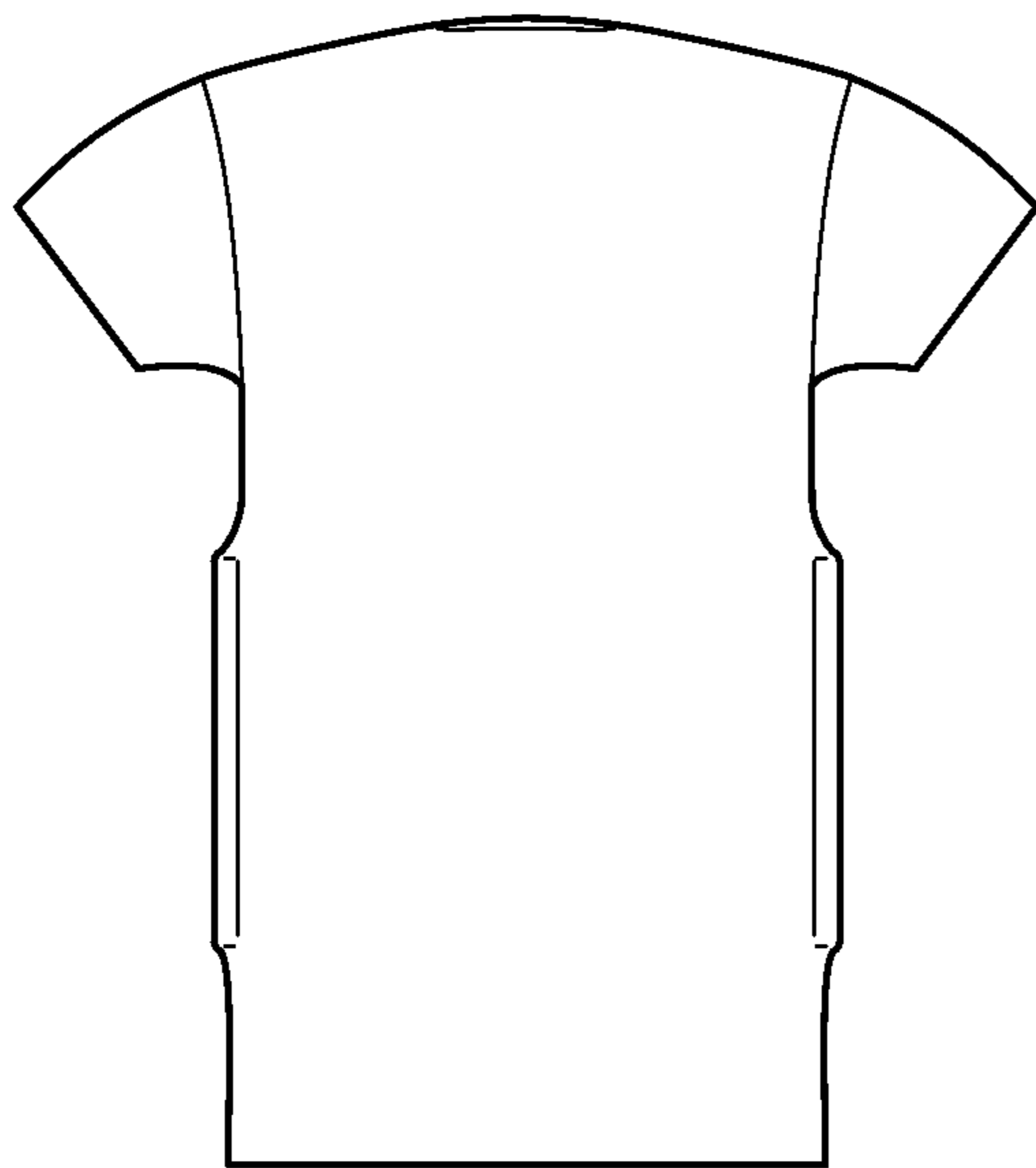


FIG. 3

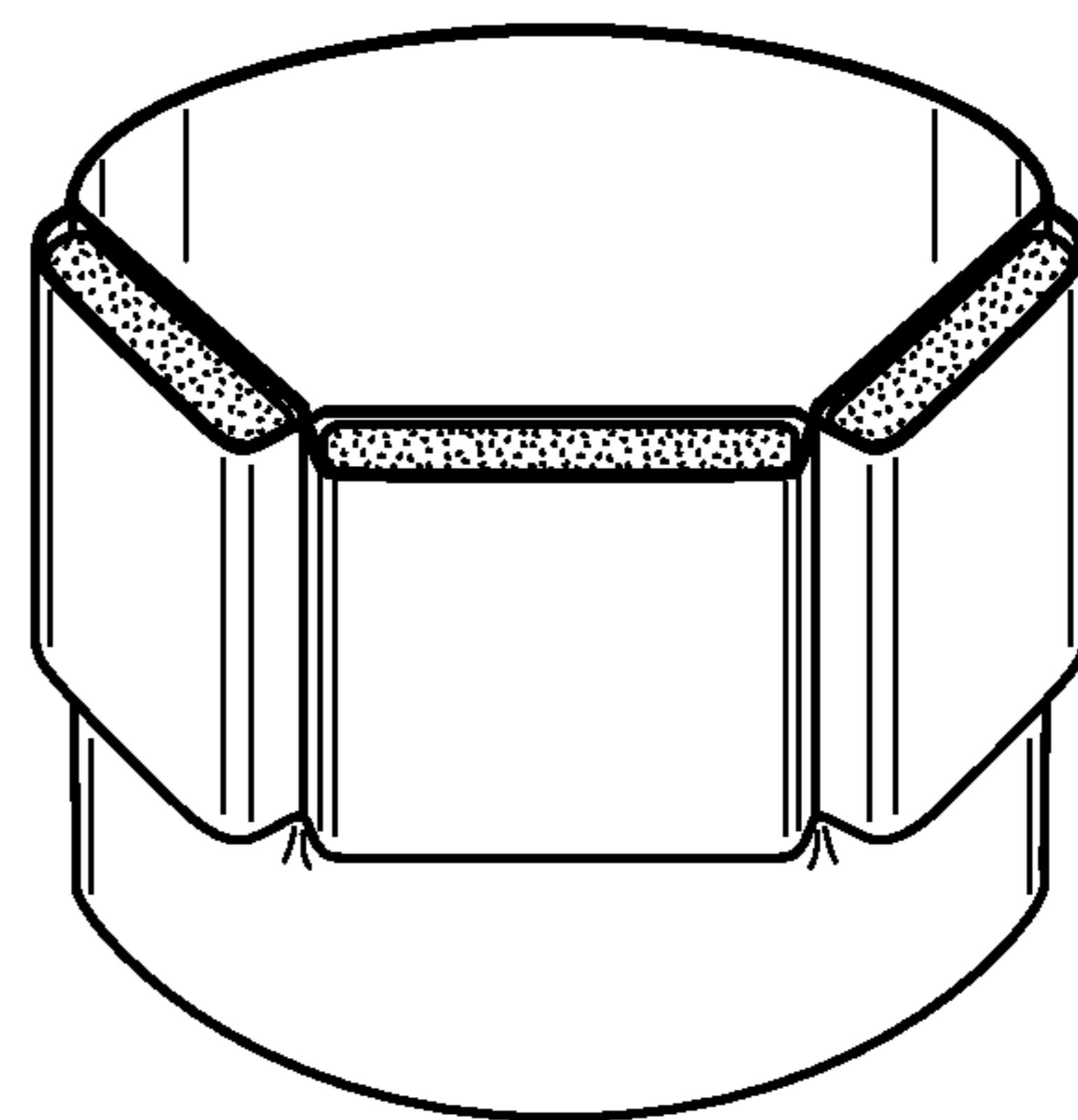


FIG. 4