



US00D658808S

(12) **United States Design Patent**  
**Begin et al.**

(10) **Patent No.:** **US D658,808 S**

(45) **Date of Patent:** **\*\* \*May 1, 2012**

(54) **BARREL FOR A HAIR DRYER**

(75) Inventors: **Jason Begin**, Roswell, GA (US); **Joseph Palermo**, Boynton Beach, FL (US); **David Jackson Trettin**, Atlanta, GA (US)

(73) Assignee: **Goody Products, Inc.**, Atlanta, GA (US)

(\*) Notice: This patent is subject to a terminal disclaimer.

(\*\*) Term: **14 Years**

(21) Appl. No.: **29/407,717**

(22) Filed: **Dec. 1, 2011**

(51) **LOC (9) Cl.** ..... **28-03**

(52) **U.S. Cl.** ..... **D28/13**

(58) **Field of Classification Search** ..... D28/12-19;  
34/96-101; 392/380-385; 219/222

See application file for complete search history.

(56) **References Cited**

U.S. PATENT DOCUMENTS

D281,360 S	11/1985	Wistrand	
D299,874 S	2/1989	Yamagami et al.	
D312,323 S *	11/1990	Doyle	D28/13
D317,062 S *	5/1991	Takahashi	D28/13
D329,507 S	9/1992	Assmann	
D345,625 S	3/1994	Feil	
D375,577 S	11/1996	Viemeister et al.	
D422,114 S	3/2000	Gudefin	
D462,140 S *	8/2002	Watanabe et al.	D28/13
D472,345 S	3/2003	Altamore et al.	

D472,672 S	4/2003	Altamore et al.	
D518,918 S *	4/2006	Rizzuto et al.	D28/13
D519,676 S *	4/2006	Keong	D28/13
D578,706 S	10/2008	Leung	
D604,899 S *	11/2009	Habibi	D28/13
D637,347 S *	5/2011	Schmitz	D28/13

\* cited by examiner

*Primary Examiner* — Zenia Bennett

(74) *Attorney, Agent, or Firm* — Newell Rubbermaid, Inc.

(57) **CLAIM**

The ornamental design for a “barrel for a hair dryer,” as shown and described.

**DESCRIPTION**

FIG. 1 is a top perspective view of a barrel for a hair dryer, showing our new design;

FIG. 2 is a front elevational view of the barrel for a hair dryer shown in FIG. 1;

FIG. 3 is a back elevational view of the barrel for a hair dryer shown in FIG. 1;

FIG. 4 is a right side elevational view of the barrel for a hair dryer shown in FIG. 1;

FIG. 5 is a left side elevational view of the barrel for a hair dryer shown in FIG. 1;

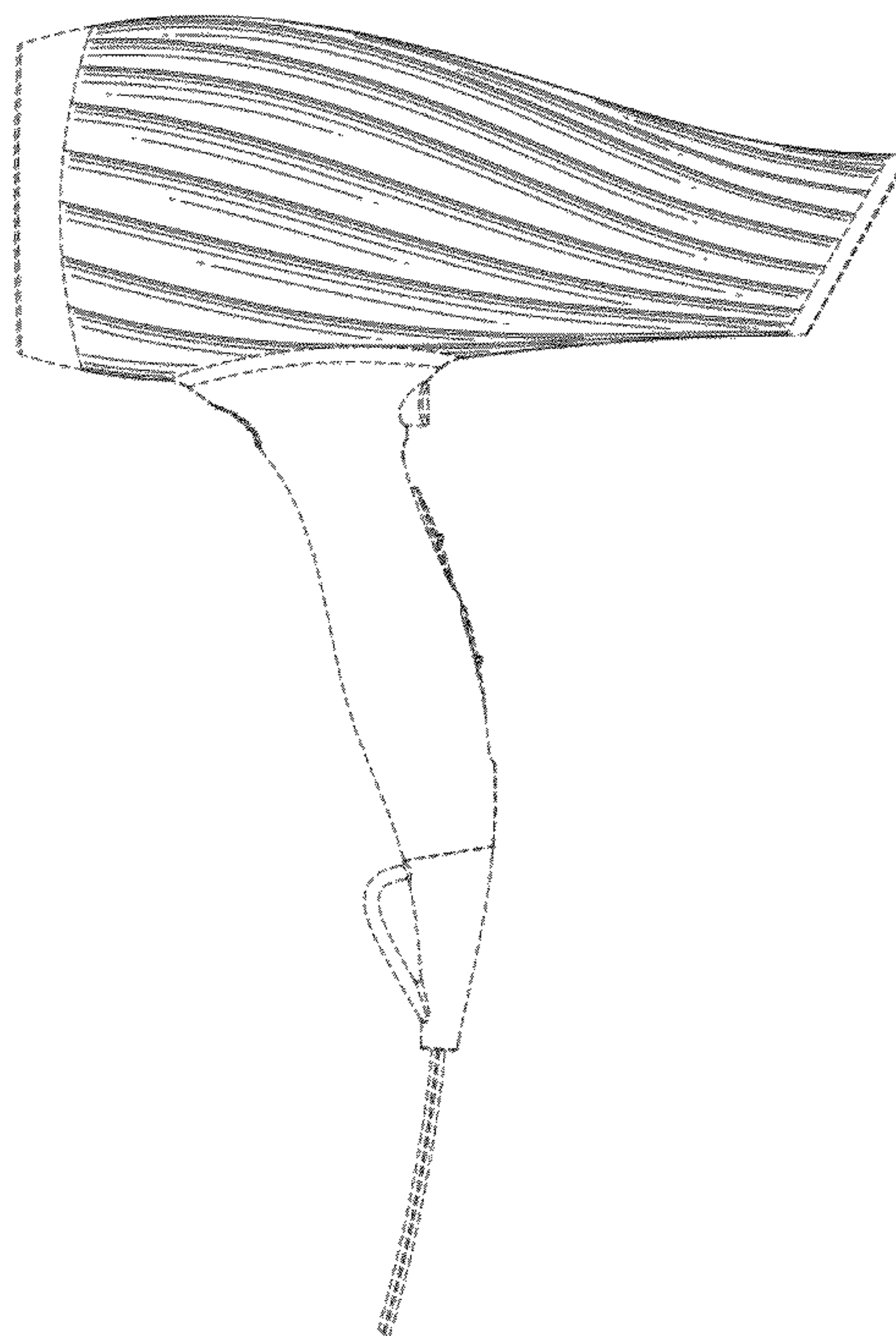
FIG. 6 is a top plan view of the barrel for a hair dryer shown in FIG. 1;

FIG. 7 is a bottom plan view of the barrel for a hair dryer shown in FIG. 1; and,

FIG. 8 is a bottom perspective view of the barrel for a hair dryer.

The subject matter shown in dashed lines is for illustrative purposes and forms no part of the claimed design.

**1 Claim, 8 Drawing Sheets**



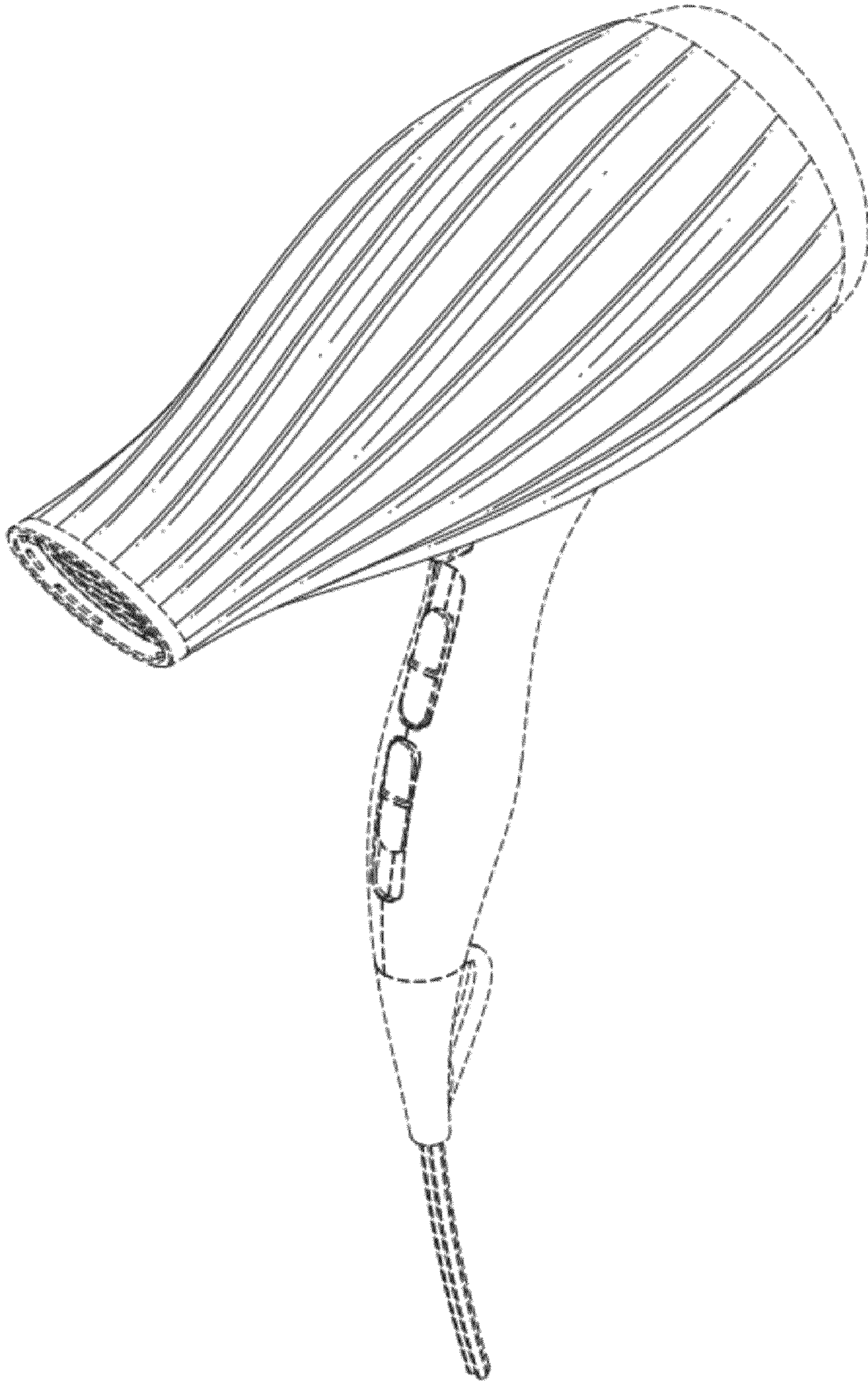


FIG. 1



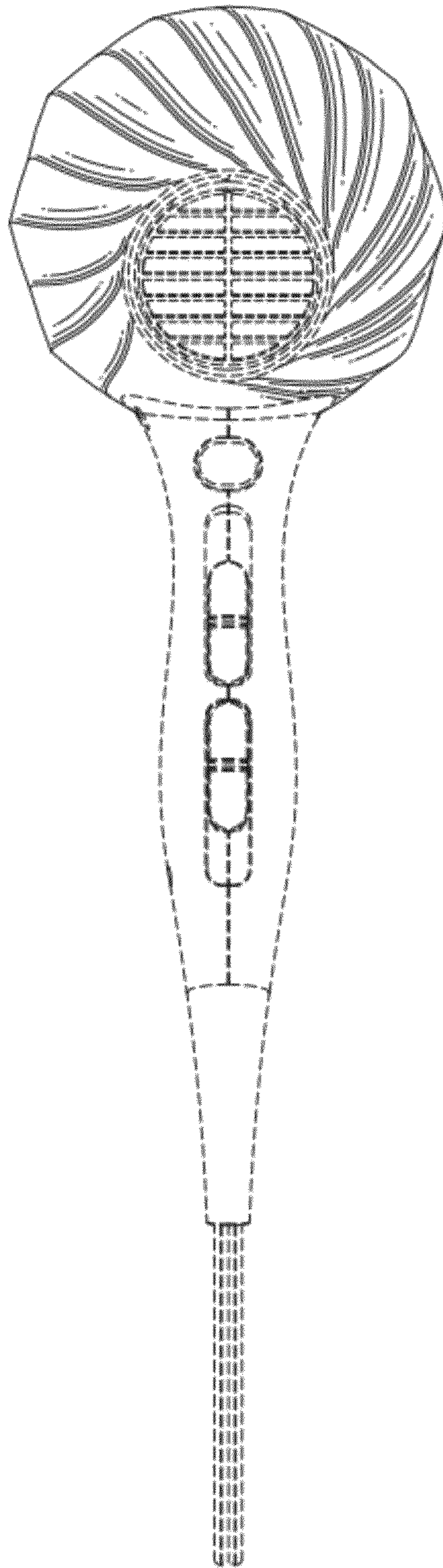


FIG. 2

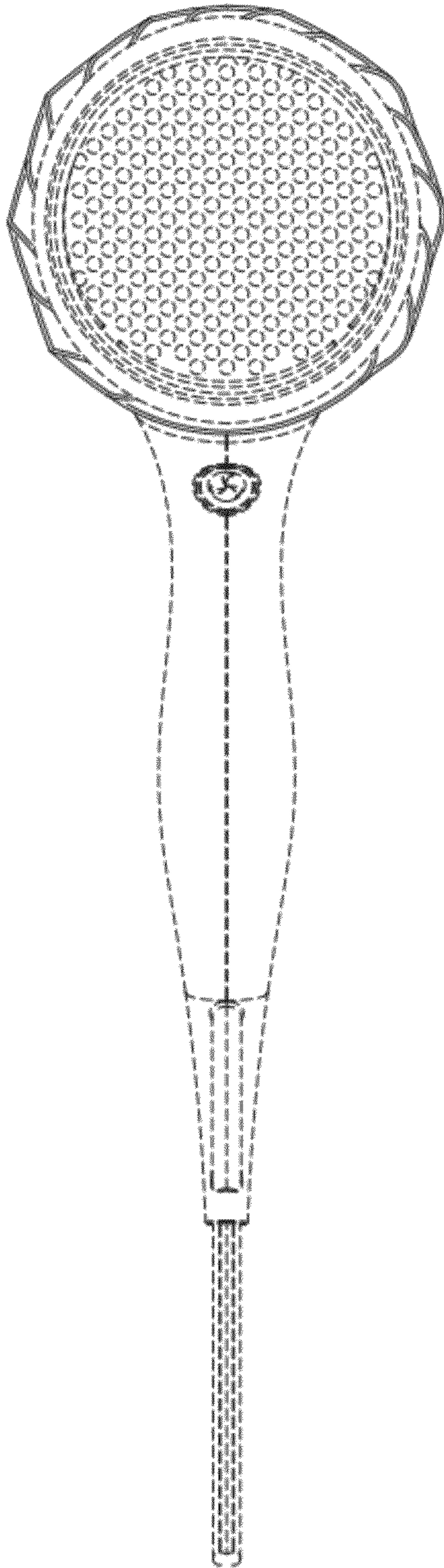


FIG. 3



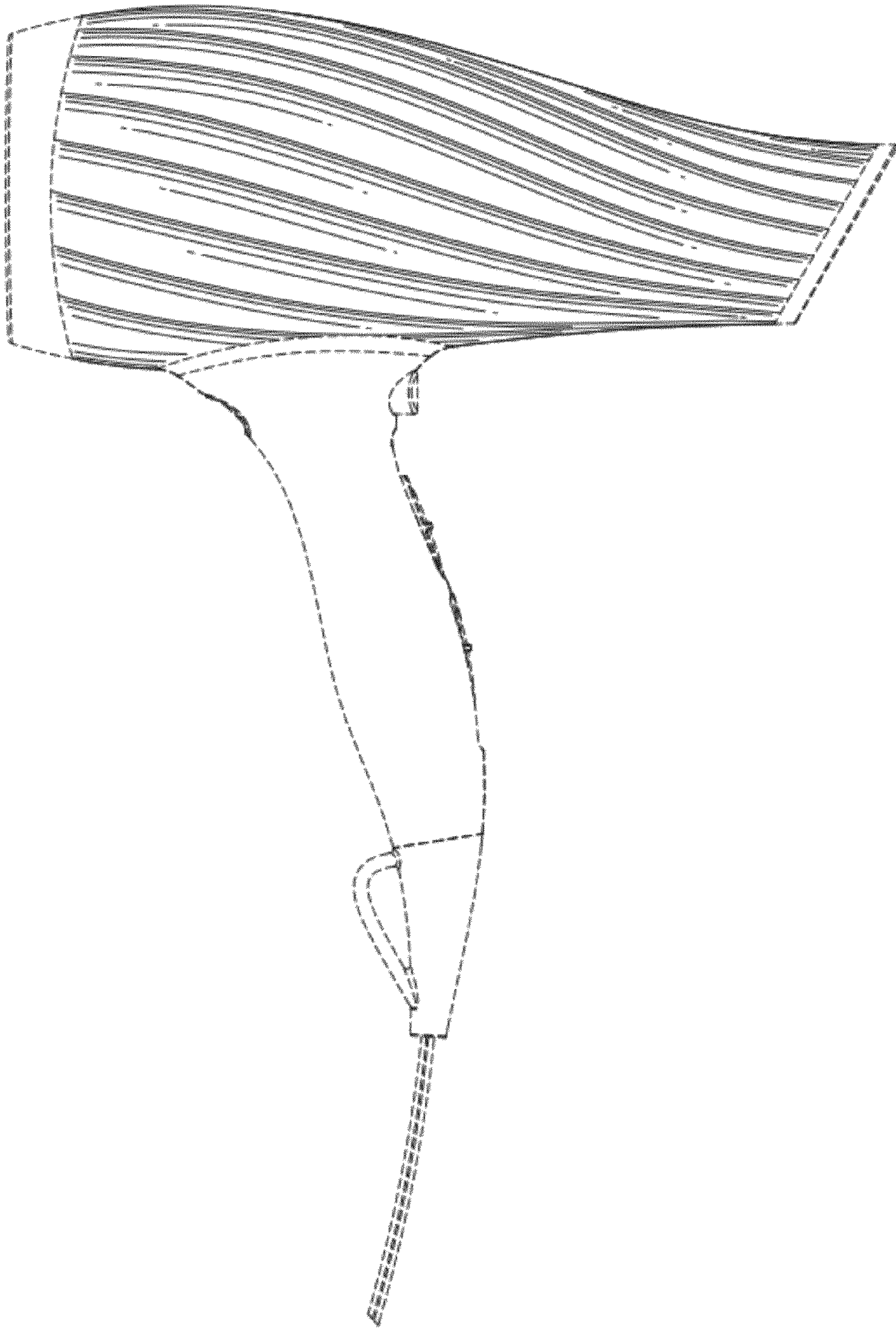


FIG. 4

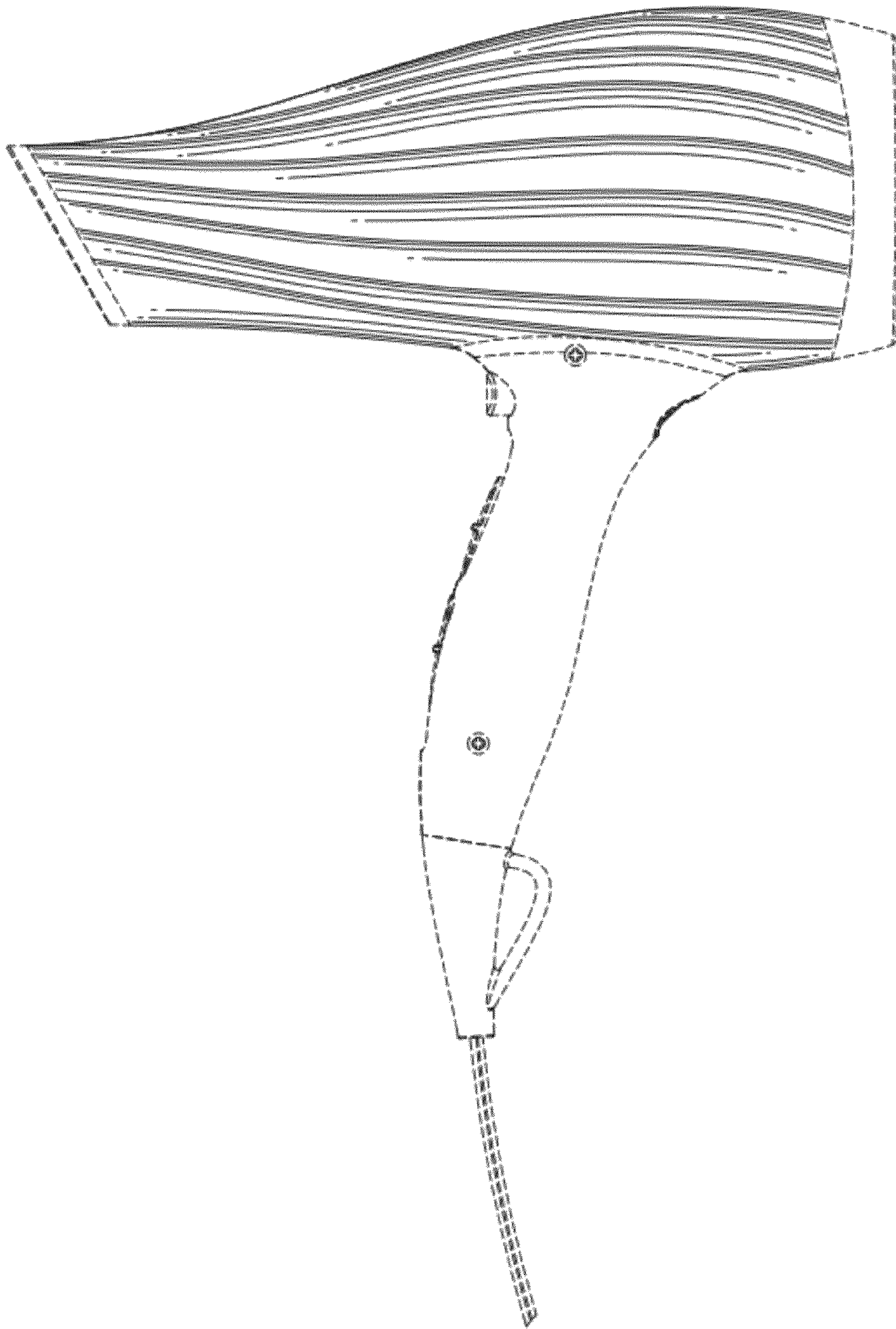


FIG. 5



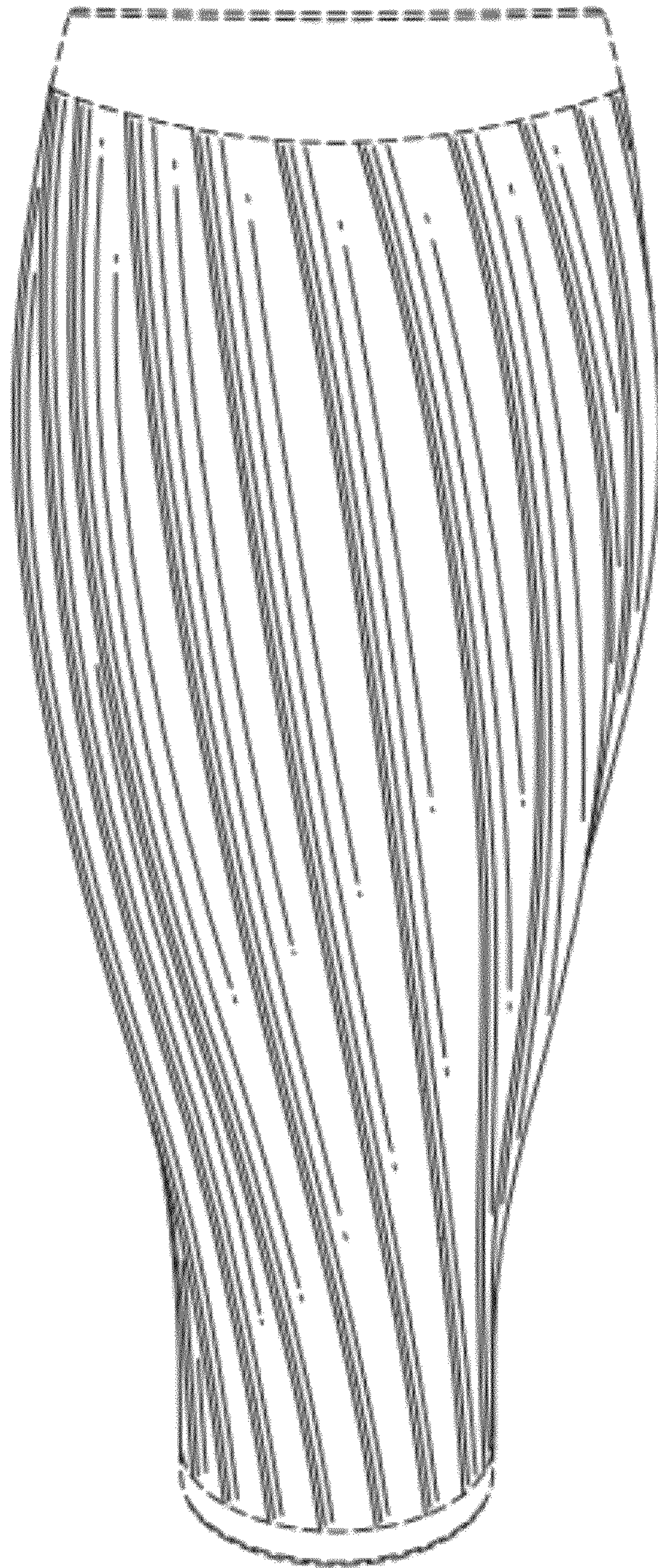


FIG. 6



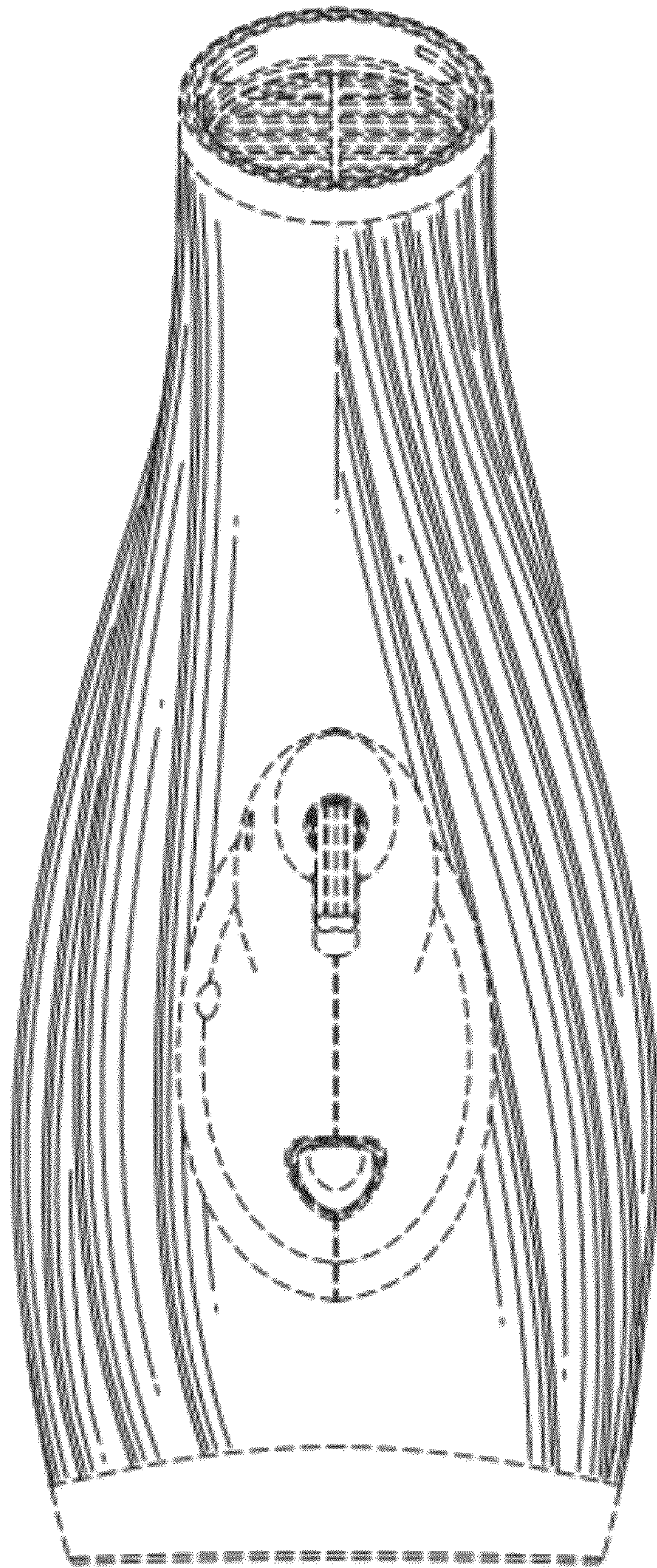


FIG. 7



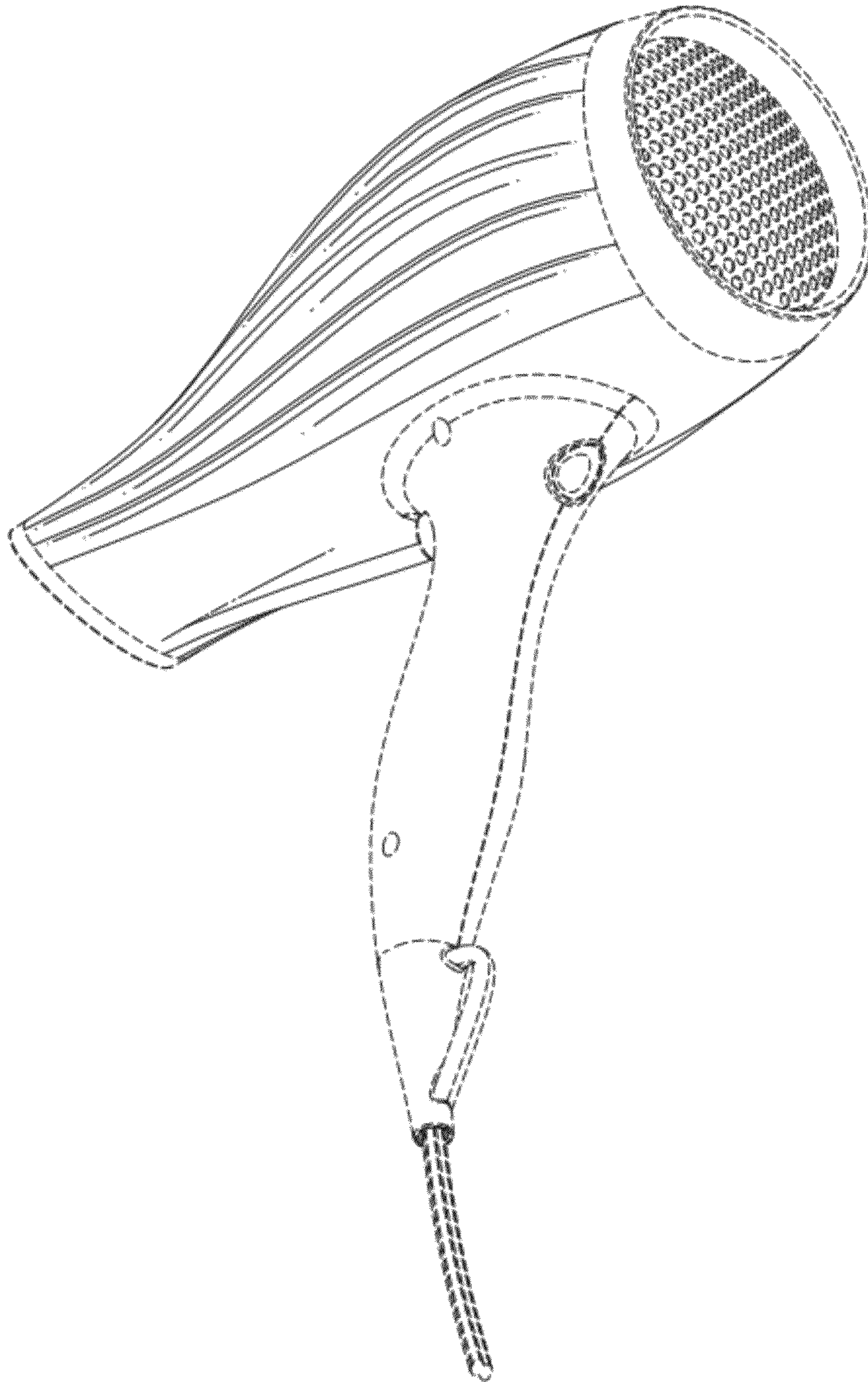


FIG. 8