



US00D658802S

(12) **United States Design Patent**  
**Chen**

(10) **Patent No.:** **US D658,802 S**

(45) **Date of Patent:** **\*\* May 1, 2012**

(54) **LED RECESSED DOWNLIGHT**

(76) Inventor: **Bo Chen**, Guangdong (CN)

(\*\*) Term: **14 Years**

(21) Appl. No.: **29/390,205**

(22) Filed: **Apr. 21, 2011**

(30) **Foreign Application Priority Data**

Nov. 23, 2010 (CN) ..... 2010 3 0630690

(51) **LOC (9) Cl.** ..... **26-05**

(52) **U.S. Cl.** ..... **D26/74**

(58) **Field of Classification Search** ..... D26/74,  
D26/72, 113, 118, 133, 134, 136, 24, 59,  
D26/63, 75, 76, 77, 78, 79, 80, 81, 82, 83,  
D26/84, 85, 138; 362/126, 145, 146, 147,  
362/148, 150, 151, 152, 153, 153.1, 218,  
362/217.05, 217.06, 217.07, 294, 296.01,  
362/296.07, 296.08, 311.01, 311.07, 311.09,  
362/345, 364, 365, 366, 373; D23/379  
See application file for complete search history.

(56) **References Cited**

**U.S. PATENT DOCUMENTS**

D320,862 S \* 10/1991 Moeller et al. .... D26/24  
D326,729 S \* 6/1992 Gattari ..... D26/74

D571,497 S \* 6/2008 Chan et al. .... D26/74  
D573,294 S \* 7/2008 Chan et al. .... D26/74  
D591,894 S \* 5/2009 Flank ..... D26/74  
D595,005 S \* 6/2009 Chou ..... D26/74  
D600,393 S \* 9/2009 Chan et al. .... D26/74  
D610,289 S \* 2/2010 Yoshinobu et al. .... D26/74  
D610,290 S \* 2/2010 Yoshinobu et al. .... D26/74  
D610,291 S \* 2/2010 Yoshinobu et al. .... D26/74  
D610,292 S \* 2/2010 Yoshinobu et al. .... D26/74  
D640,819 S \* 6/2011 Pan ..... D26/74  
D654,205 S \* 2/2012 Rashidi ..... D26/74

\* cited by examiner

*Primary Examiner* — Angela J Lee

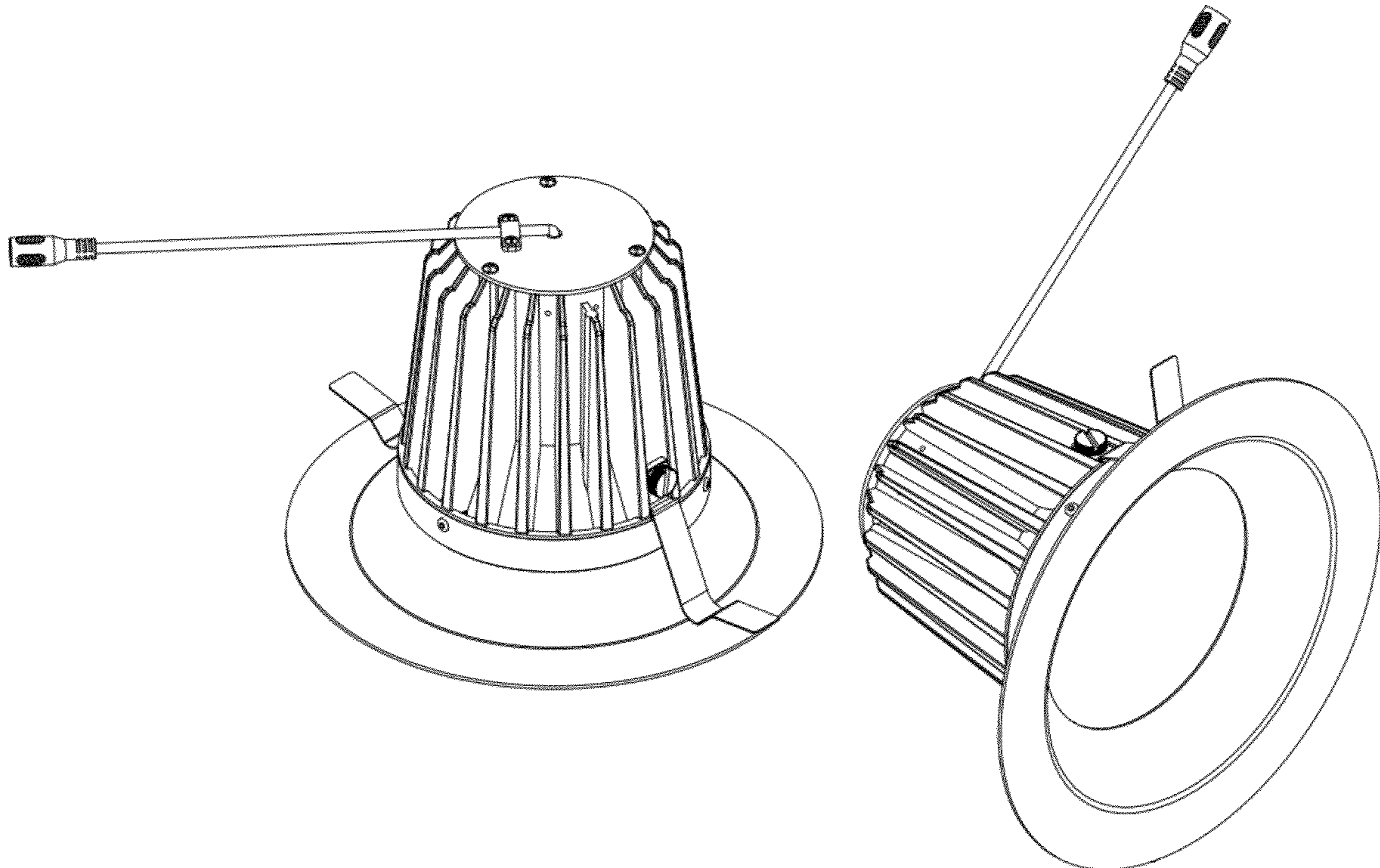
(57) **CLAIM**

The ornamental design for a LED recessed downlight, as shown and described.

**DESCRIPTION**

FIG. 1 is a front elevation view thereof;  
FIG. 2 is a rear elevation view thereof;  
FIG. 3 is a left side elevation view thereof;  
FIG. 4 is a right side elevation view thereof;  
FIG. 5 is a top plan view thereof;  
FIG. 6 is bottom plan view thereof;  
FIG. 7 is a perspective view of a LED recessed downlight showing my new design; and,  
FIG. 8 is another perspective view thereof.

**1 Claim, 6 Drawing Sheets**



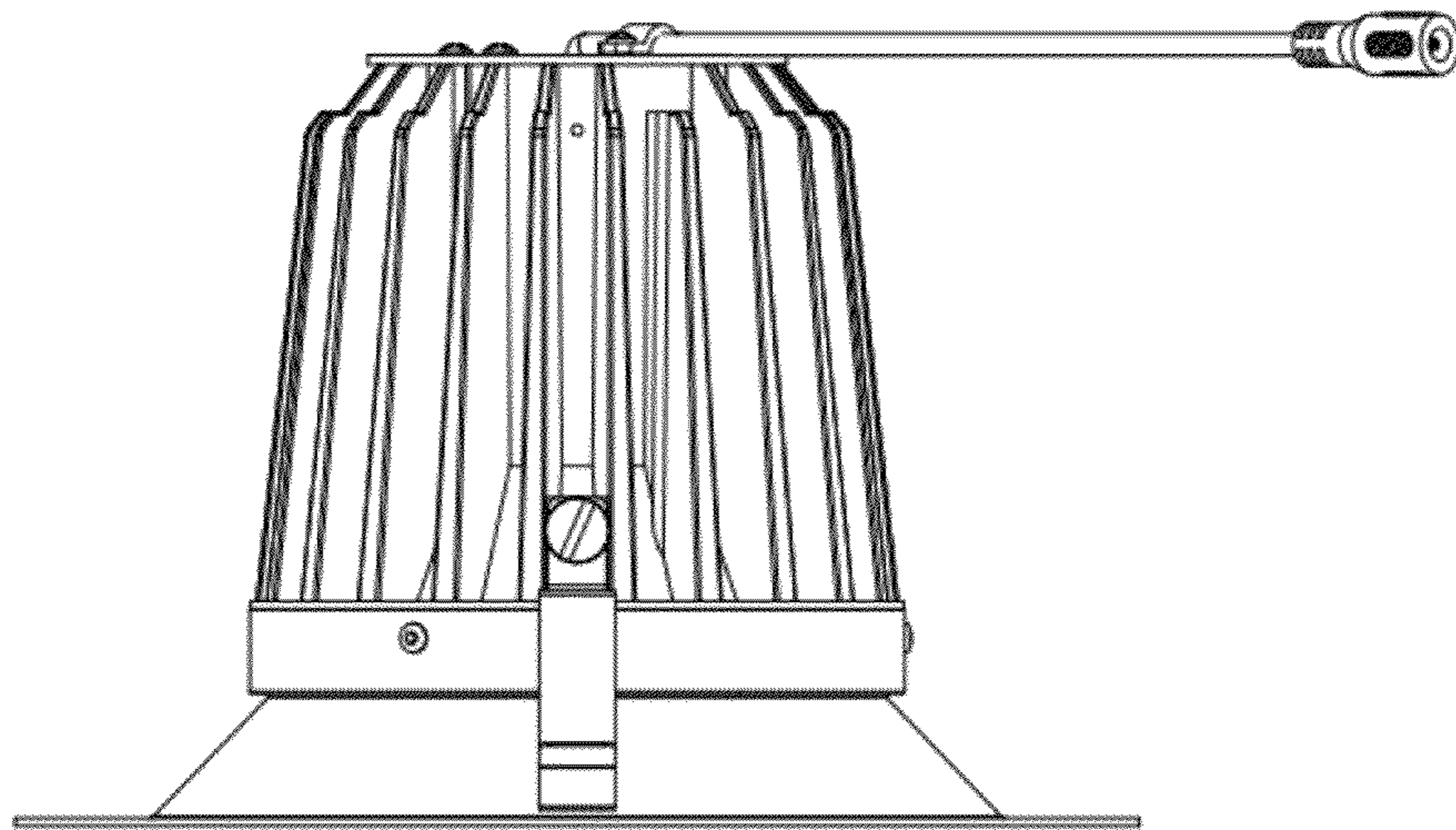


FIG.1

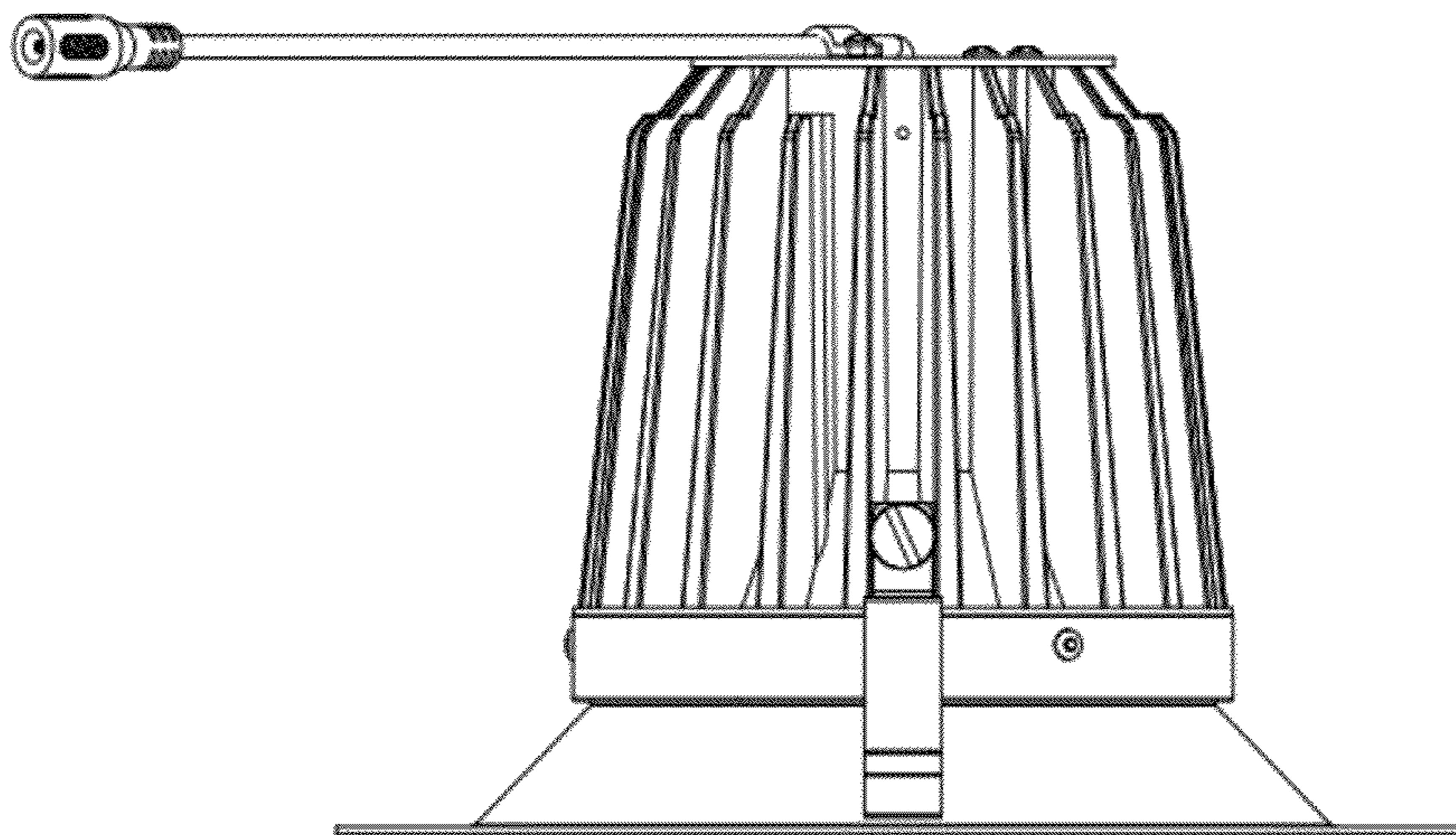


FIG.2

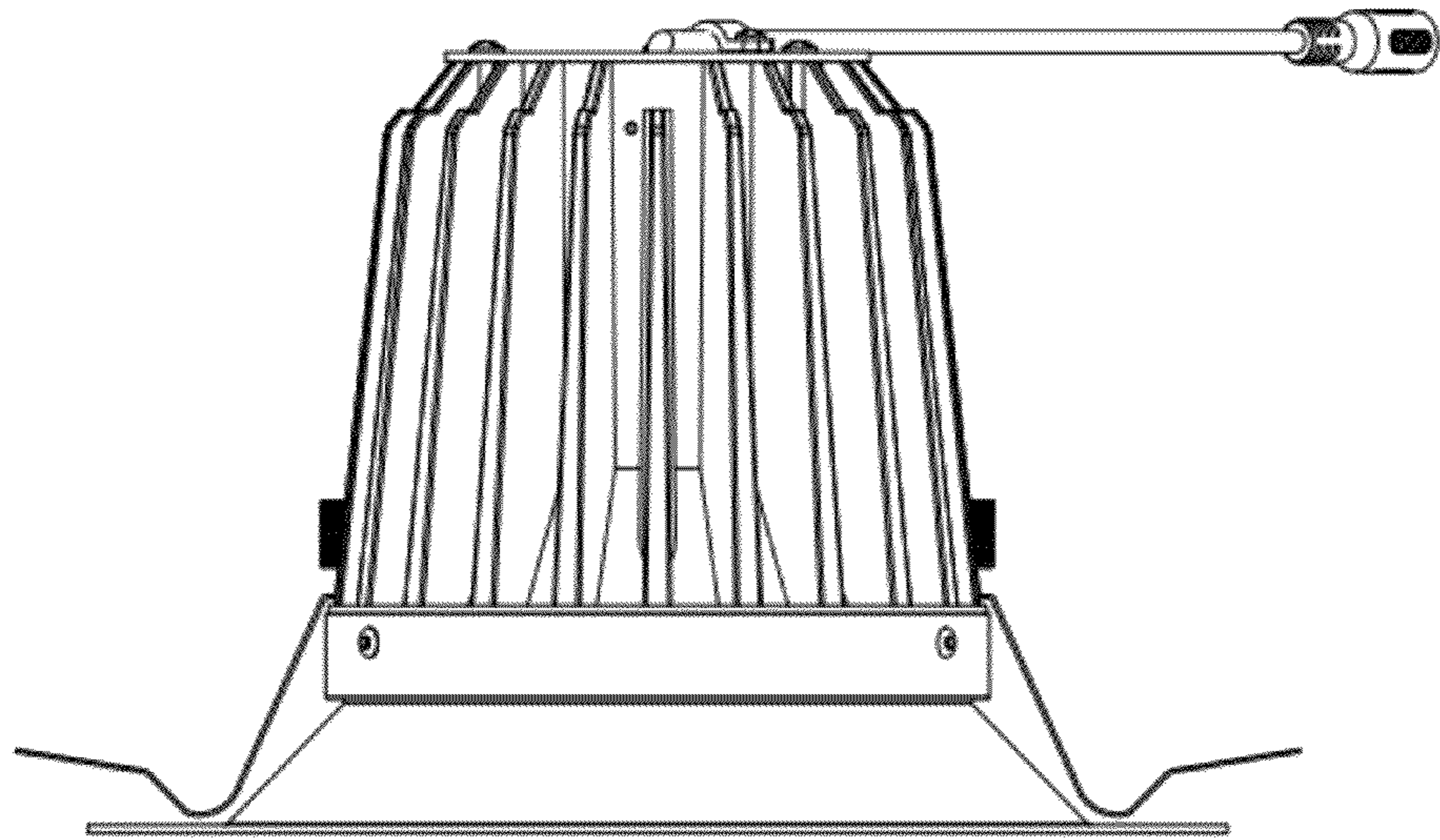


FIG.3

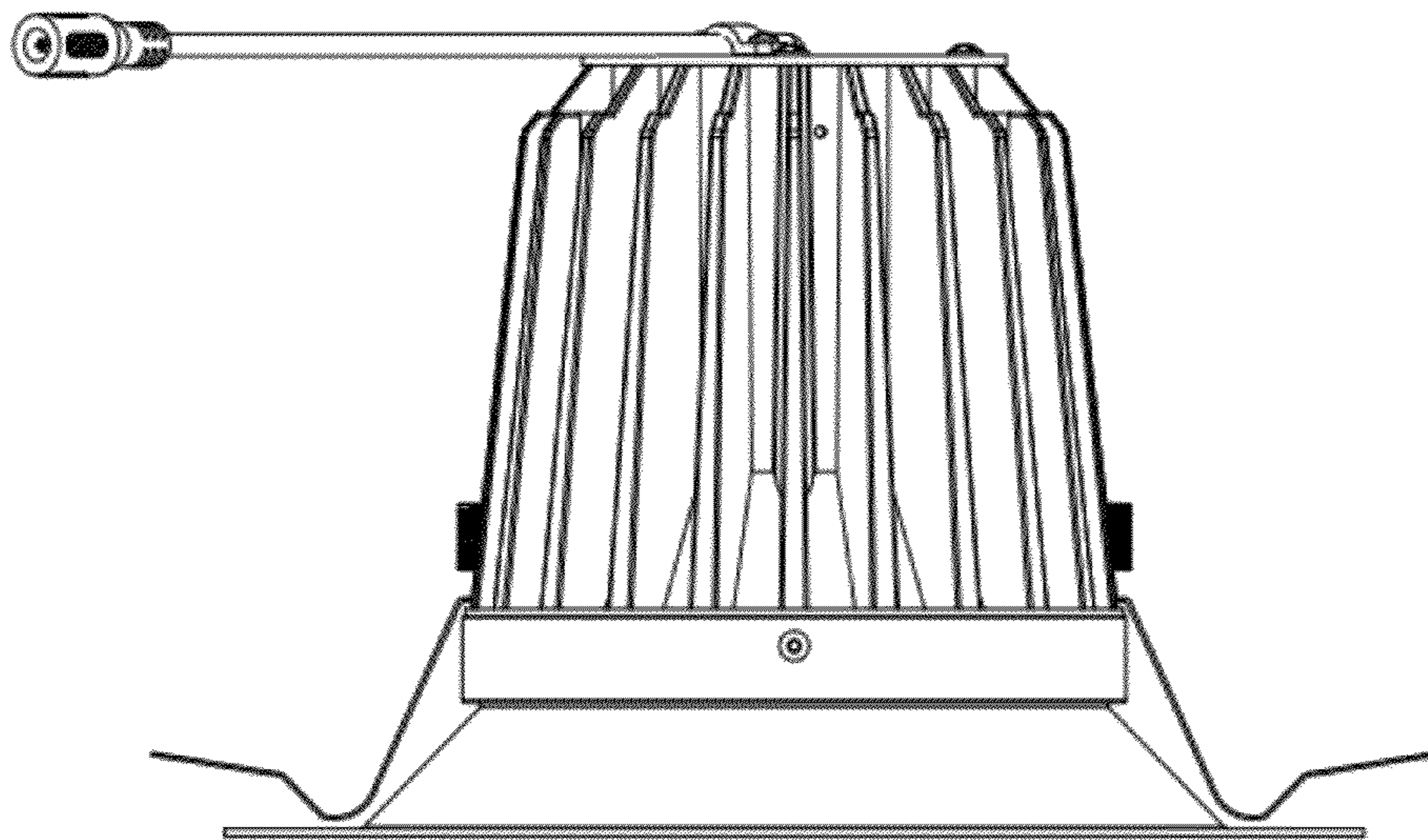


FIG.4

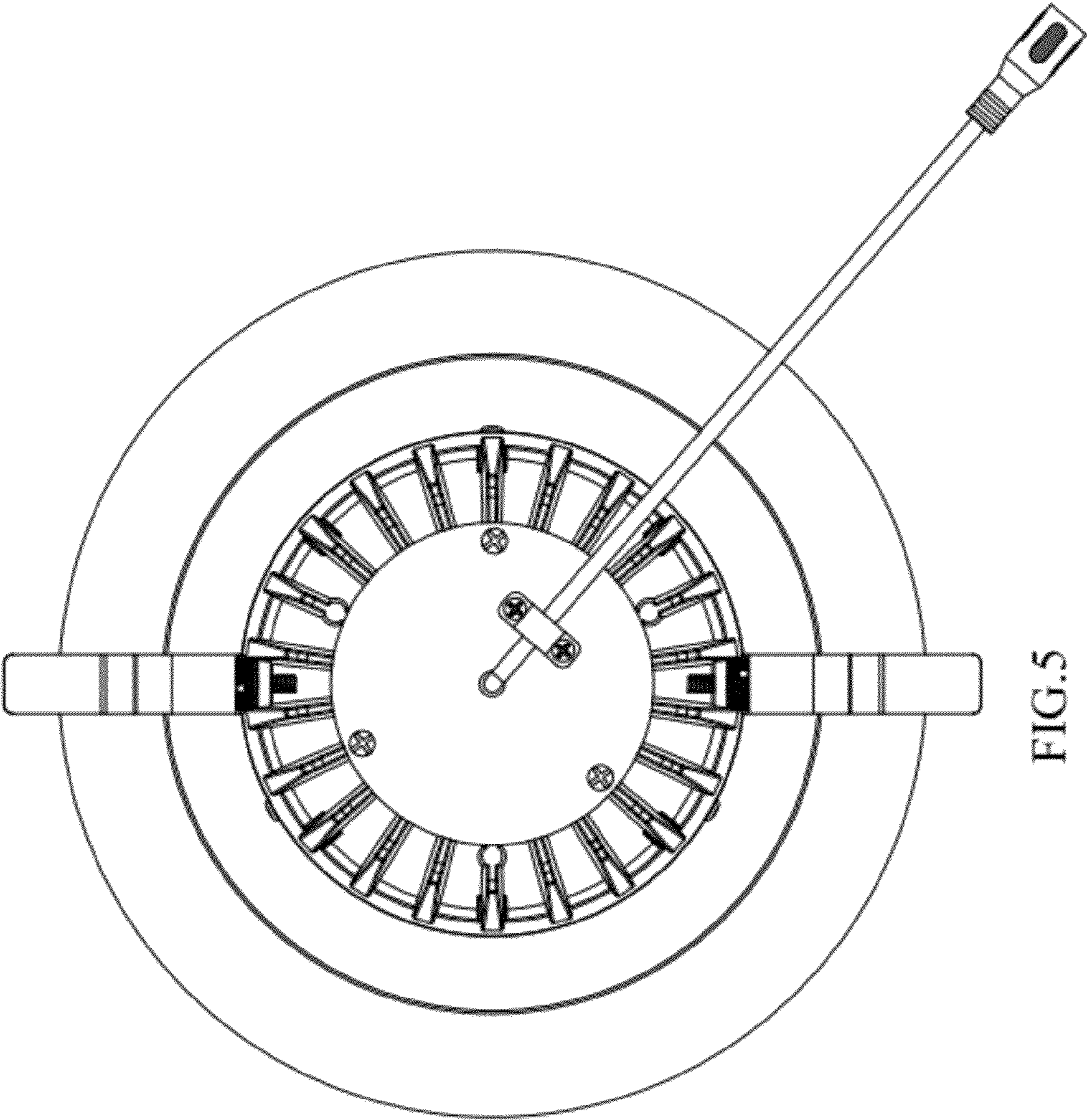


FIG.5

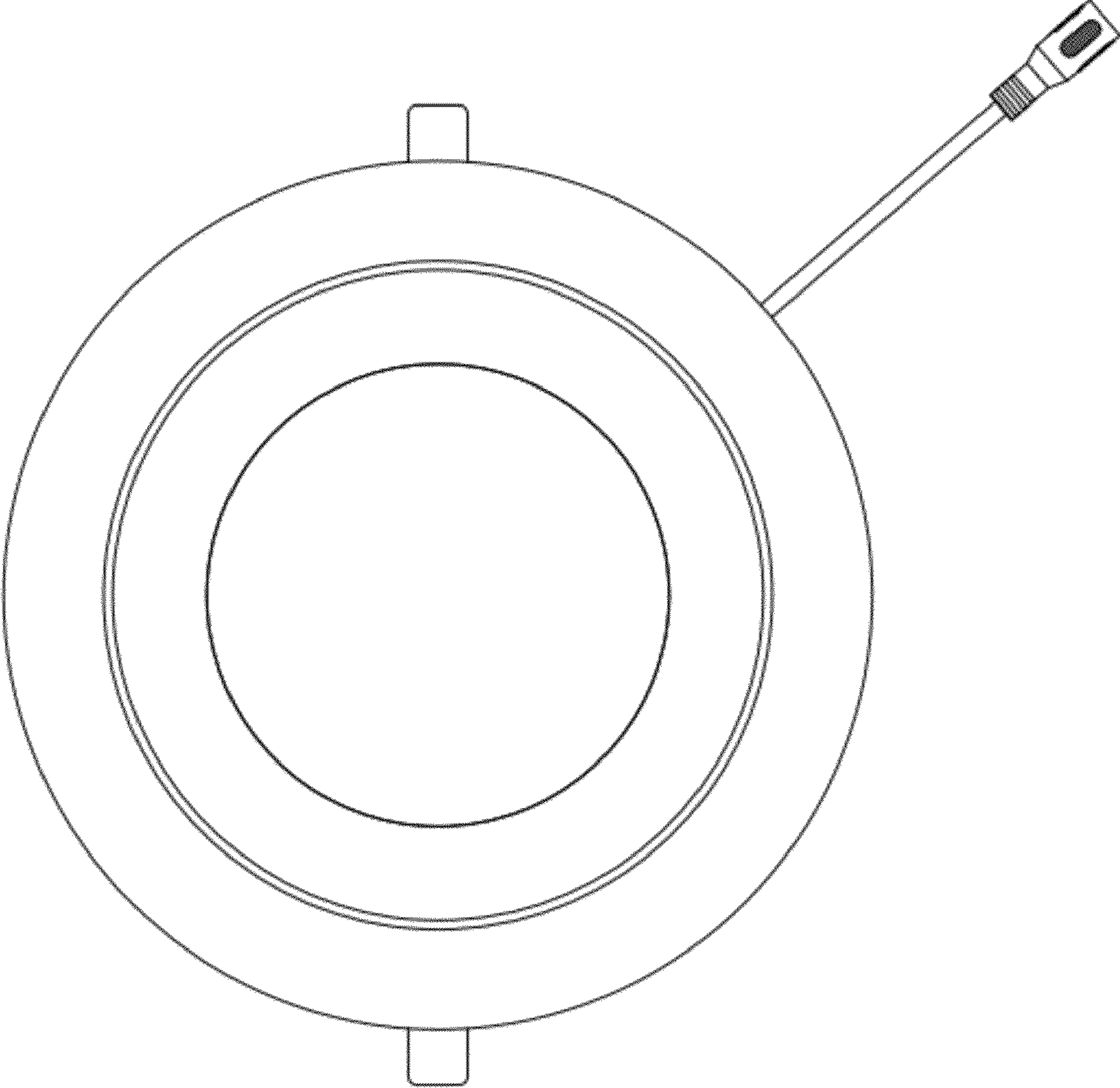


FIG.6

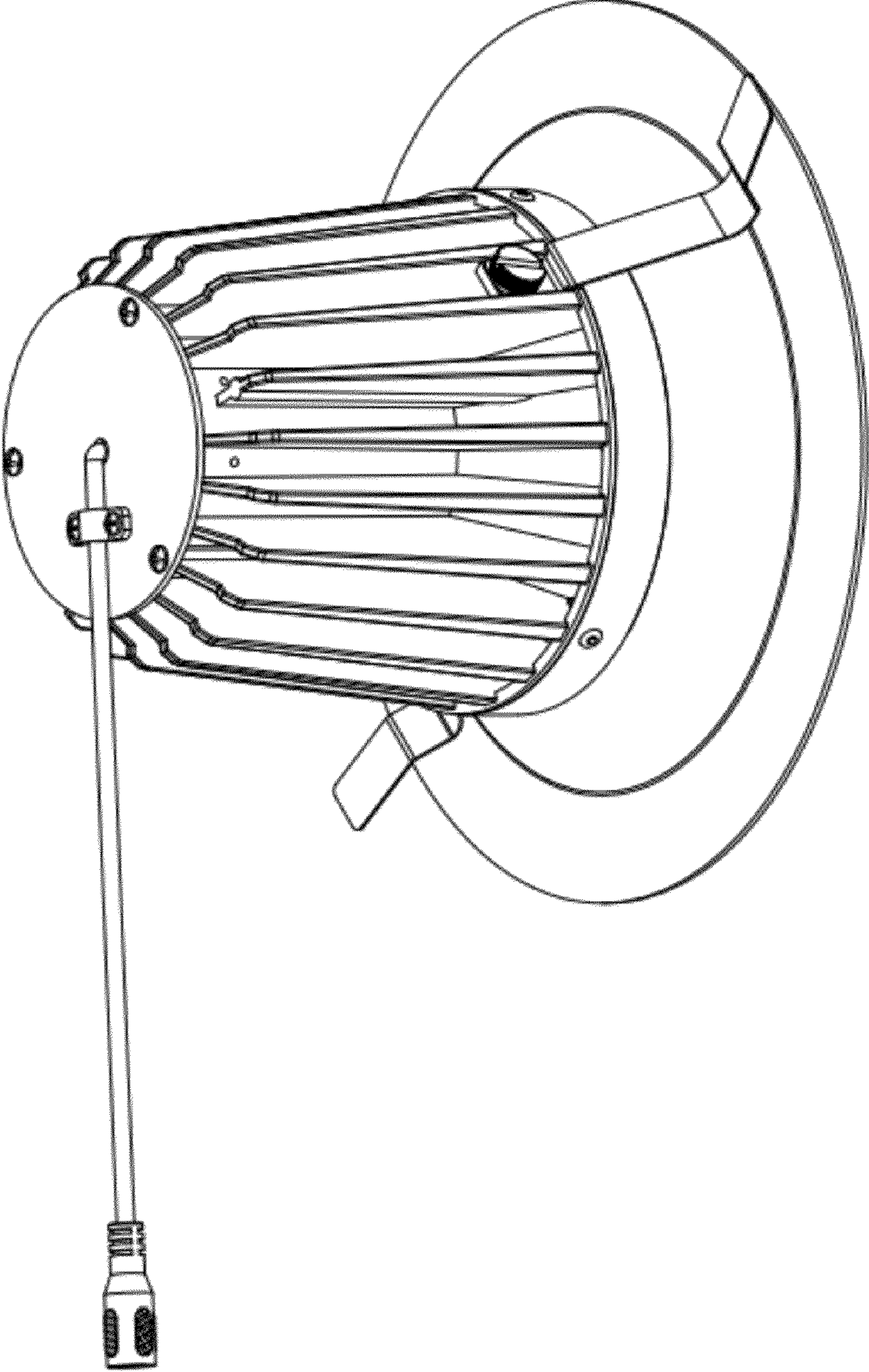


FIG.7

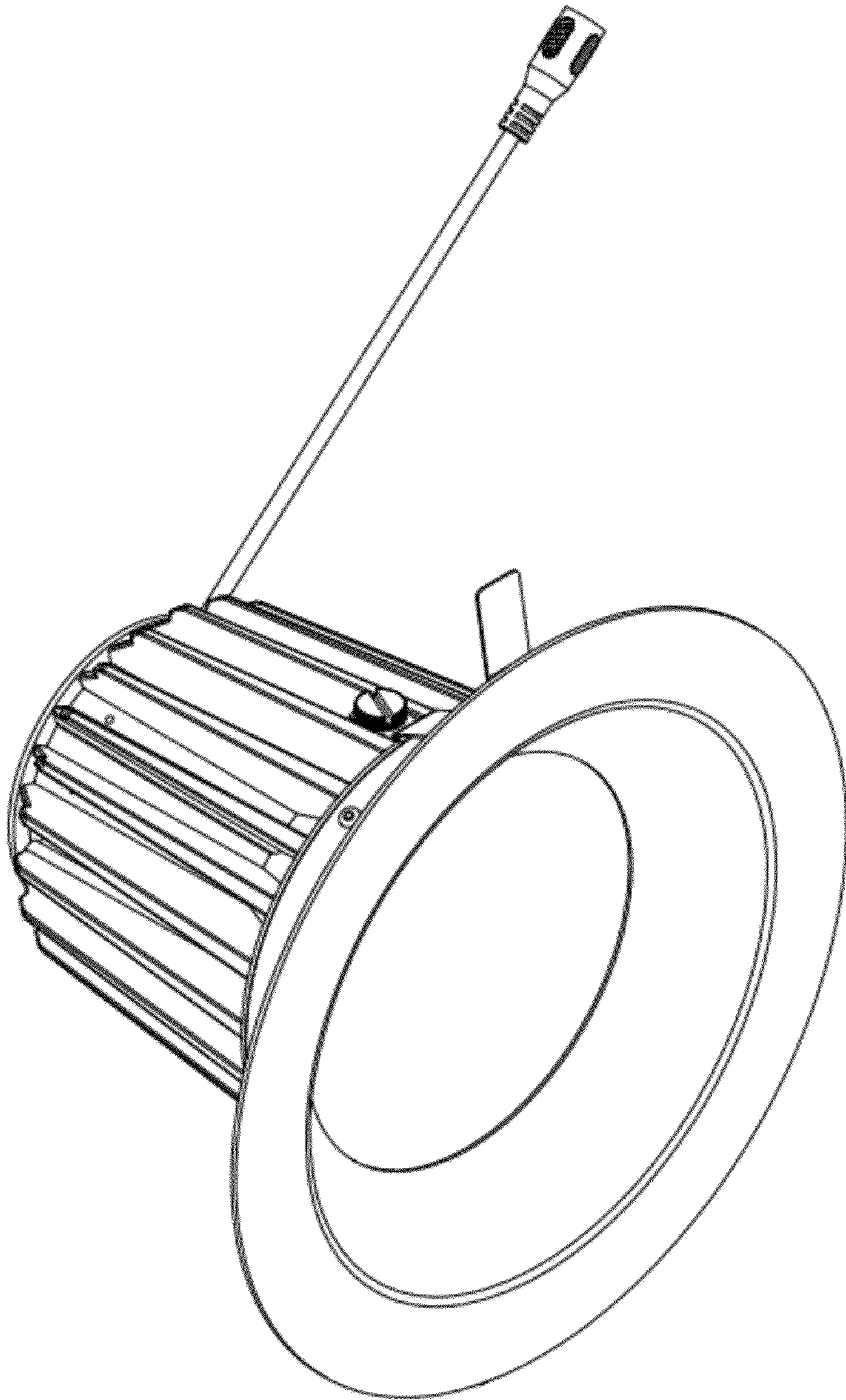


FIG. 8