



US00D658799S

(12) **United States Design Patent**
Levine

(10) **Patent No.:** **US D658,799 S**
(45) **Date of Patent:** **** May 1, 2012**

(54) **LIGHTING DEVICE**

(76) Inventor: **Jonathan E. Levine**, New York, NY
(US)

(**) Term: **14 Years**

(21) Appl. No.: **29/387,875**

(22) Filed: **Mar. 19, 2011**

(51) **LOC (9) Cl.** **26-05**

(52) **U.S. Cl.** **D26/63; D26/83**

(58) **Field of Classification Search** D26/61,
D26/63, 74, 80, 81, 83-89; 362/147, 488,
362/490, 515, 20, 249.1, 249.07, 285, 287
See application file for complete search history.

(56) **References Cited**

U.S. PATENT DOCUMENTS

D104,367	S	*	5/1937	Cowan	D26/83
D147,093	S	*	7/1947	Vorsanger	D26/83
D151,626	S	*	11/1948	Kress	D26/85
D154,525	S	*	7/1949	Winkler et al.	D26/83
D264,254	S		5/1982	Heritage		
D293,940	S		1/1988	Lasker		
D294,302	S		2/1988	Littrell et al.		
4,731,708	A	*	3/1988	Gonas	362/544
D299,549	S		1/1989	Macaluso		
D320,863	S		10/1991	Macaluso		
D483,511	S	*	12/2003	Lay et al.	D26/80
D507,373	S		7/2005	Kim		
D524,673	S	*	7/2006	Dicke et al.	D10/114.1
7,249,873	B2	*	7/2007	Tiesler et al.	362/488
7,311,426	B2	*	12/2007	Tiesler et al.	362/488

D578,703 S 10/2008 Levine
7,775,693 B2 * 8/2010 Kracker 362/488
2009/0154151 A1 6/2009 Levine

* cited by examiner

Primary Examiner — Clare E Heflin

(74) *Attorney, Agent, or Firm* — Perkins Coie LLP

(57) **CLAIM**

I claim the ornamental design for a lighting device, as shown and described.

DESCRIPTION

FIG. 1 is a perspective view of the lighting device showing my new design with the adjustable portions in a first position, as viewed from the top and one side;

FIG. 2 is a perspective view of the lighting device showing the adjustable portions in an alternate position, as viewed from the top and one side;

FIG. 3 is a top plan view of the lighting device of FIG. 1;

FIG. 4 is a bottom plan view of the lighting device of FIG. 1;

FIG. 5 is a front elevation view of the lighting device of FIG. 1;

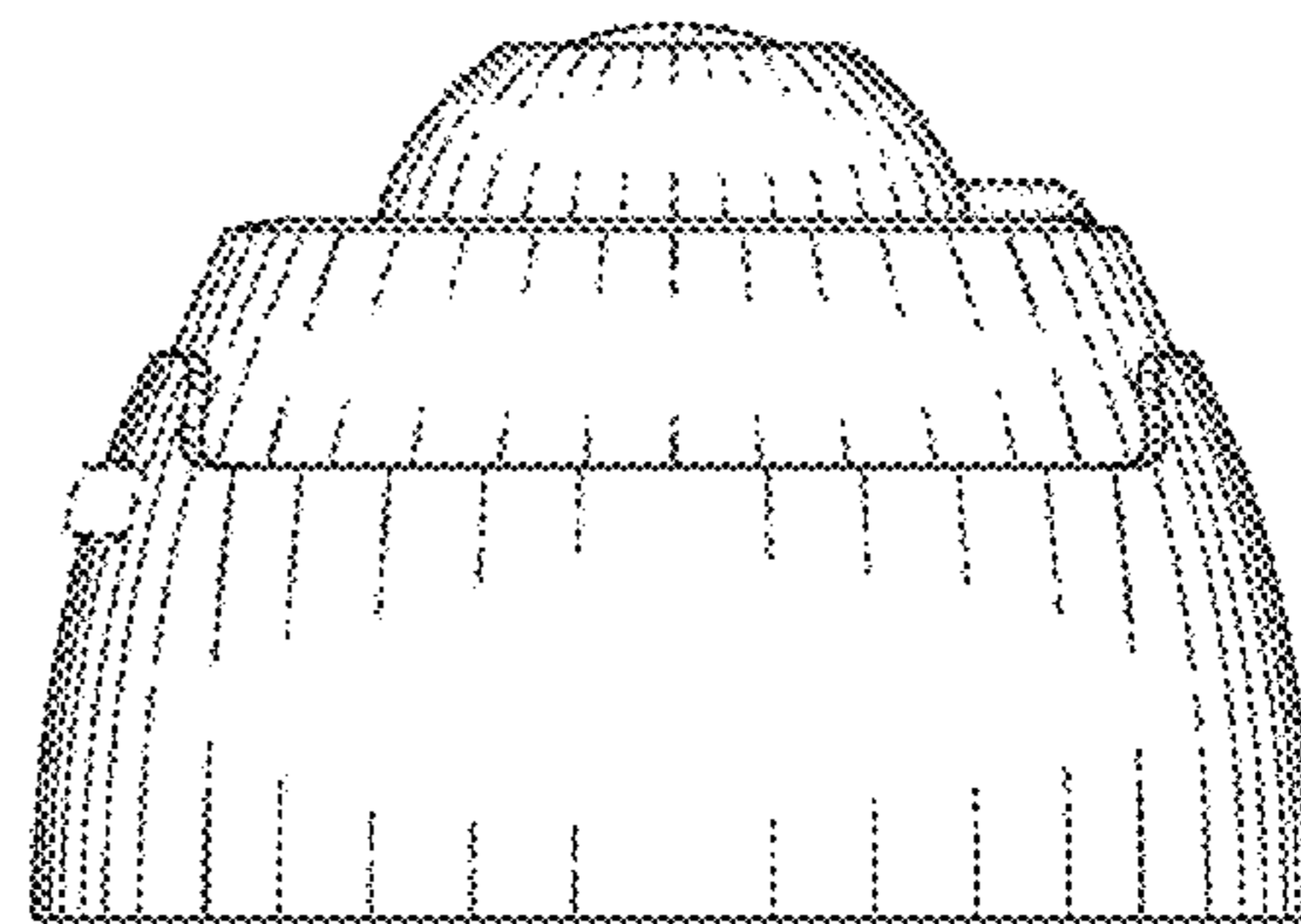
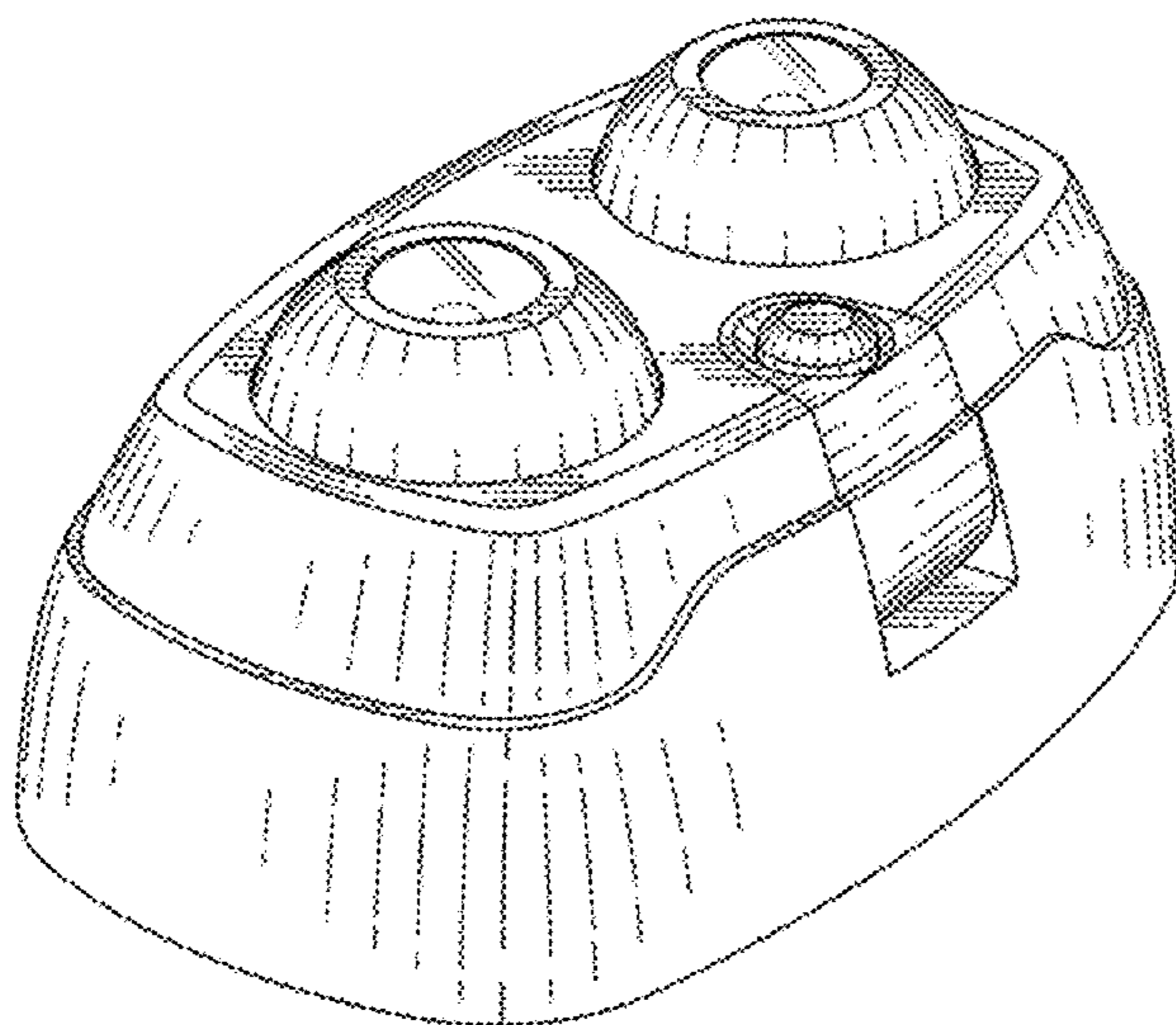
FIG. 6 is a rear elevation view of the lighting device of FIG. 1;

FIG. 7 is a first side elevation view of the lighting device of FIG. 1; and,

FIG. 8 is a second side elevation view of the lighting device of FIG. 1.

The details shown in broken lines illustrate portions of the lighting device that form no part of the claimed design.

1 Claim, 5 Drawing Sheets



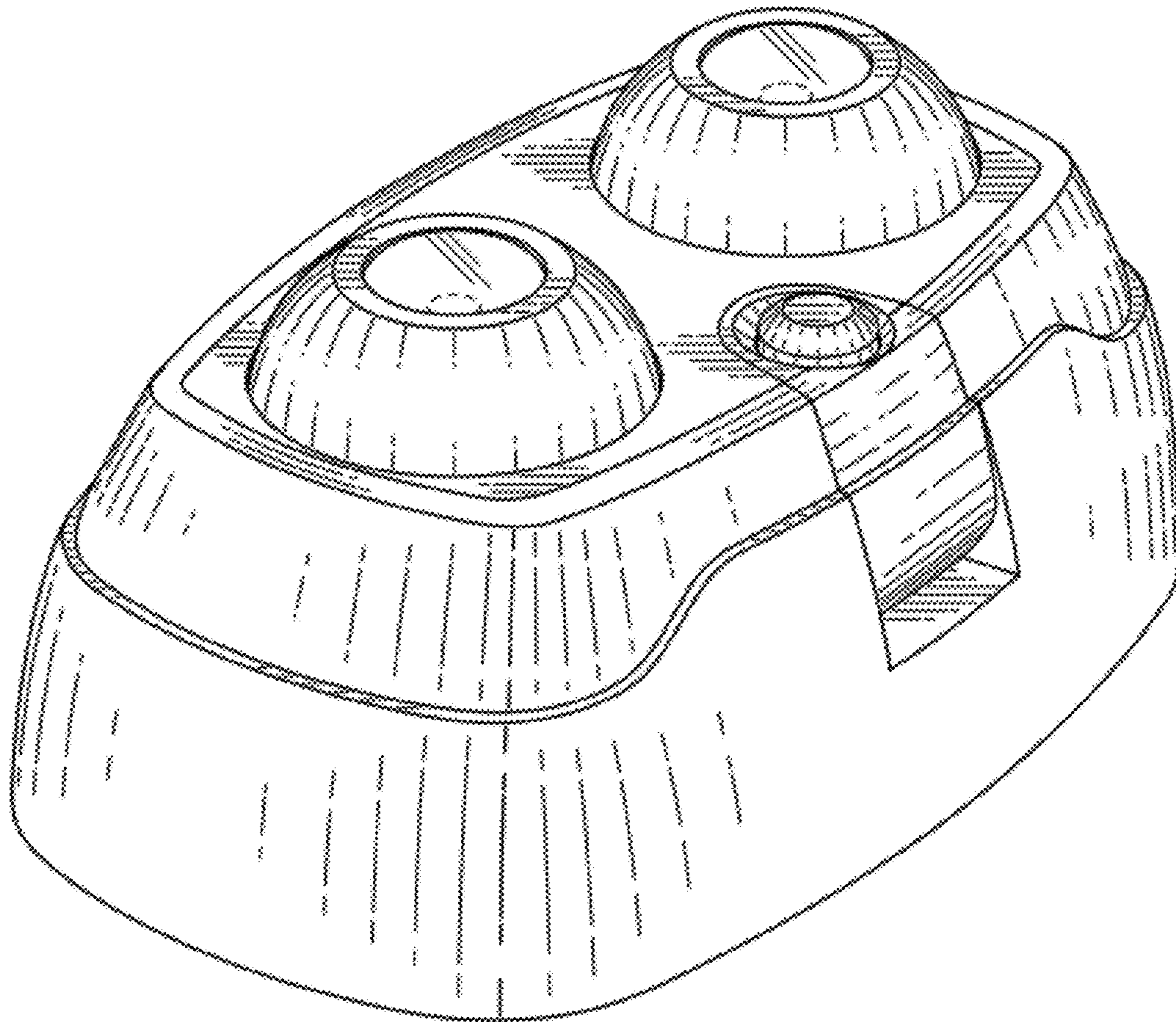


FIG. 1

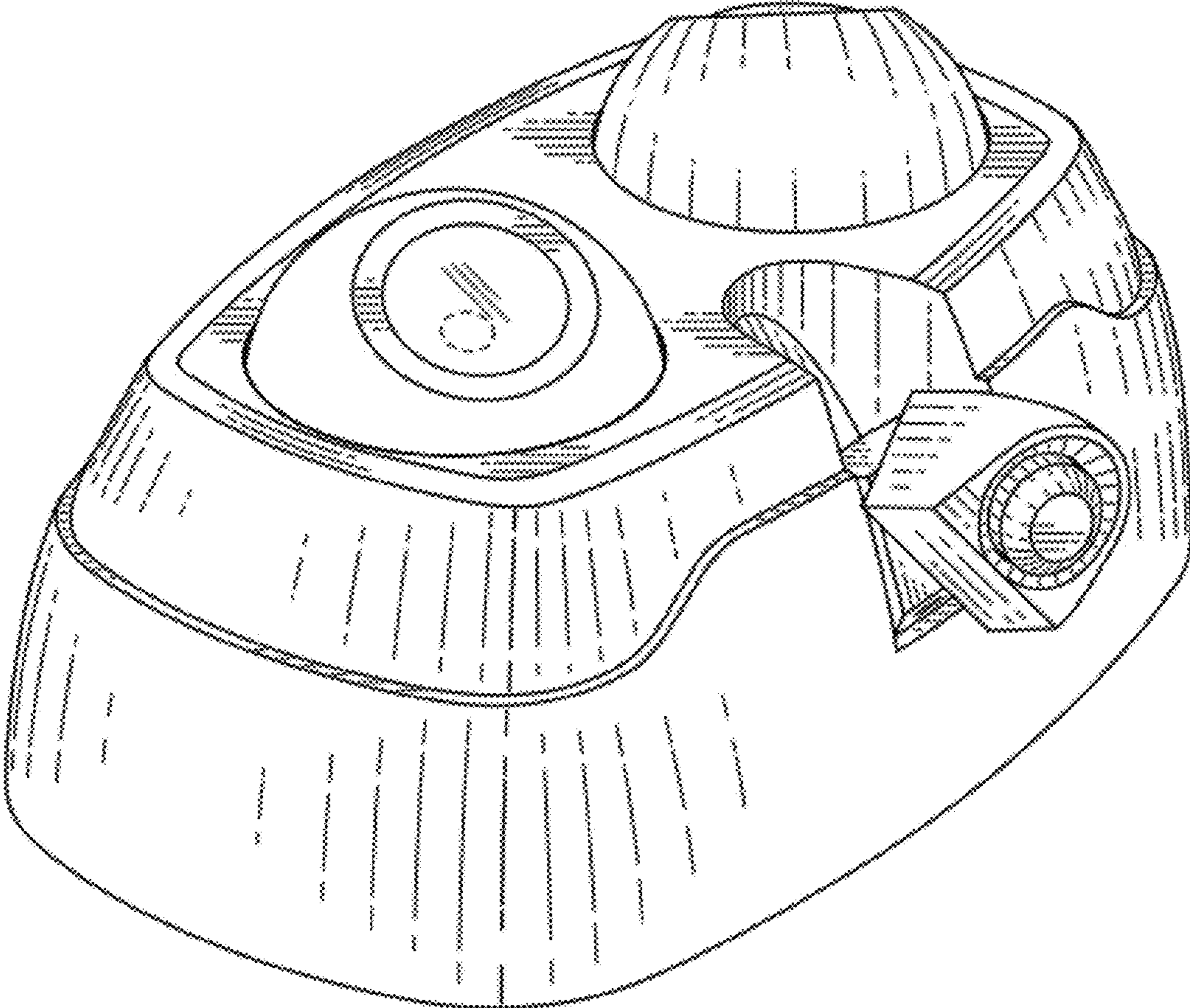


FIG. 2

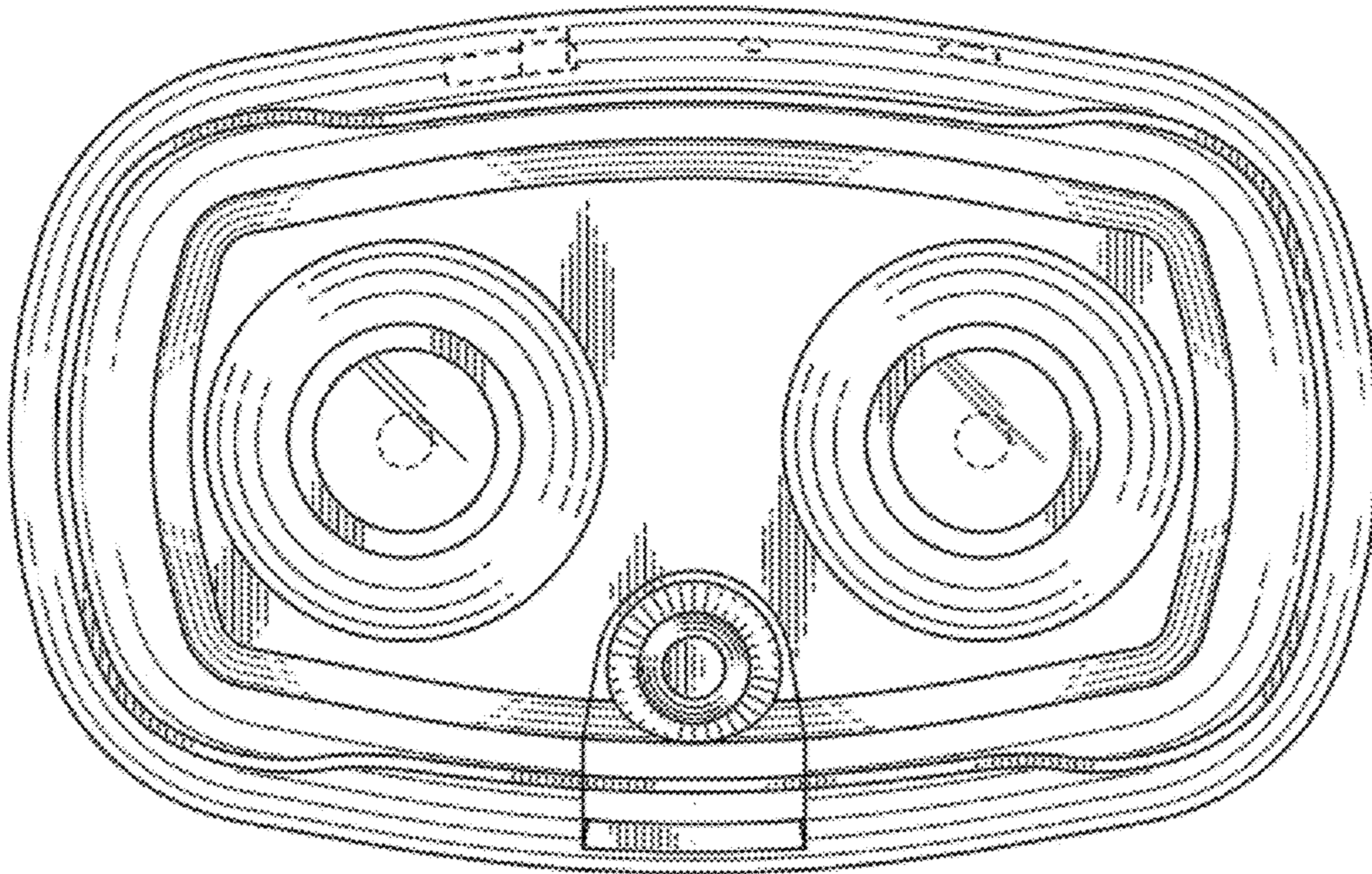


FIG. 3

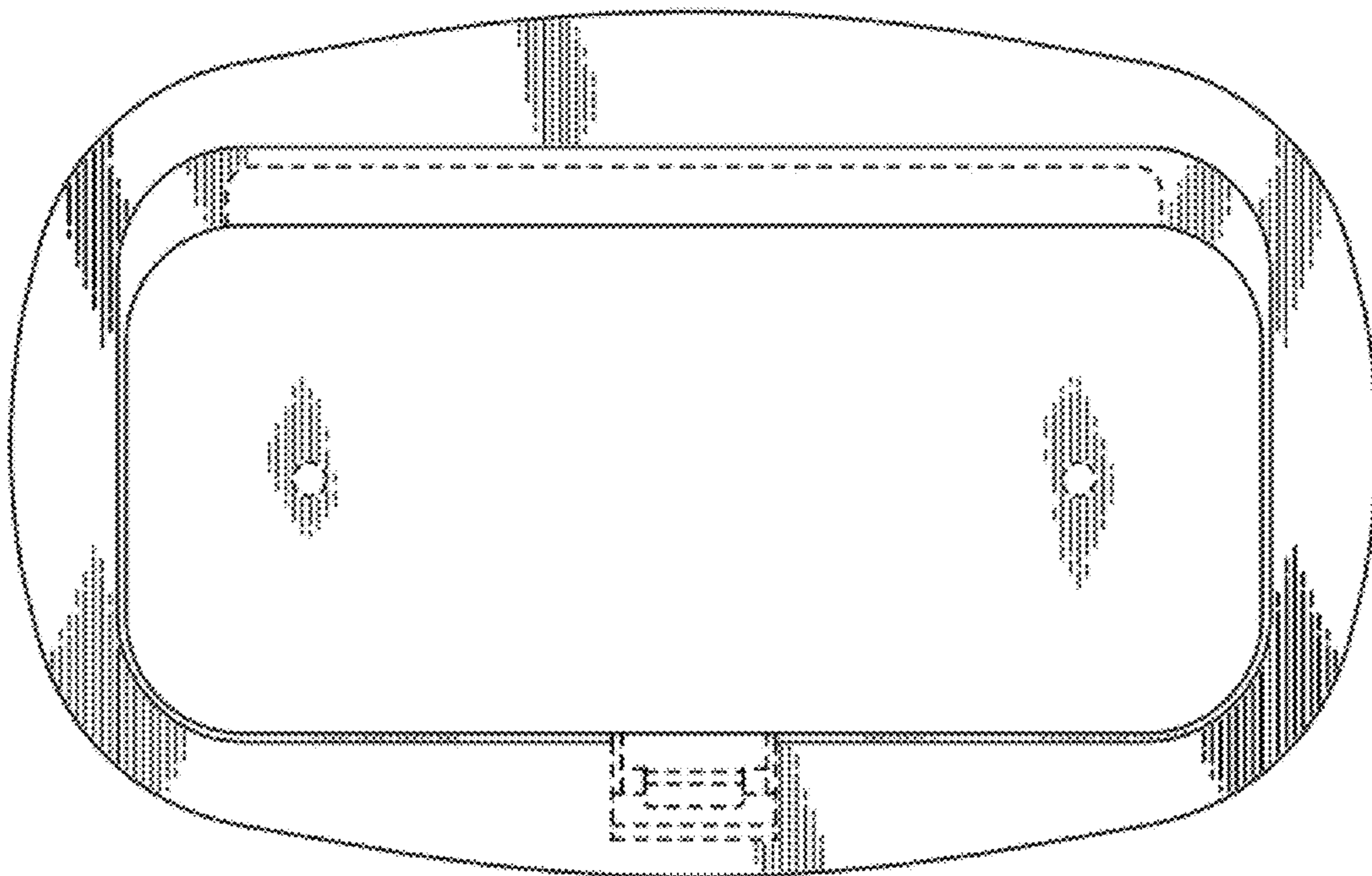


FIG. 4

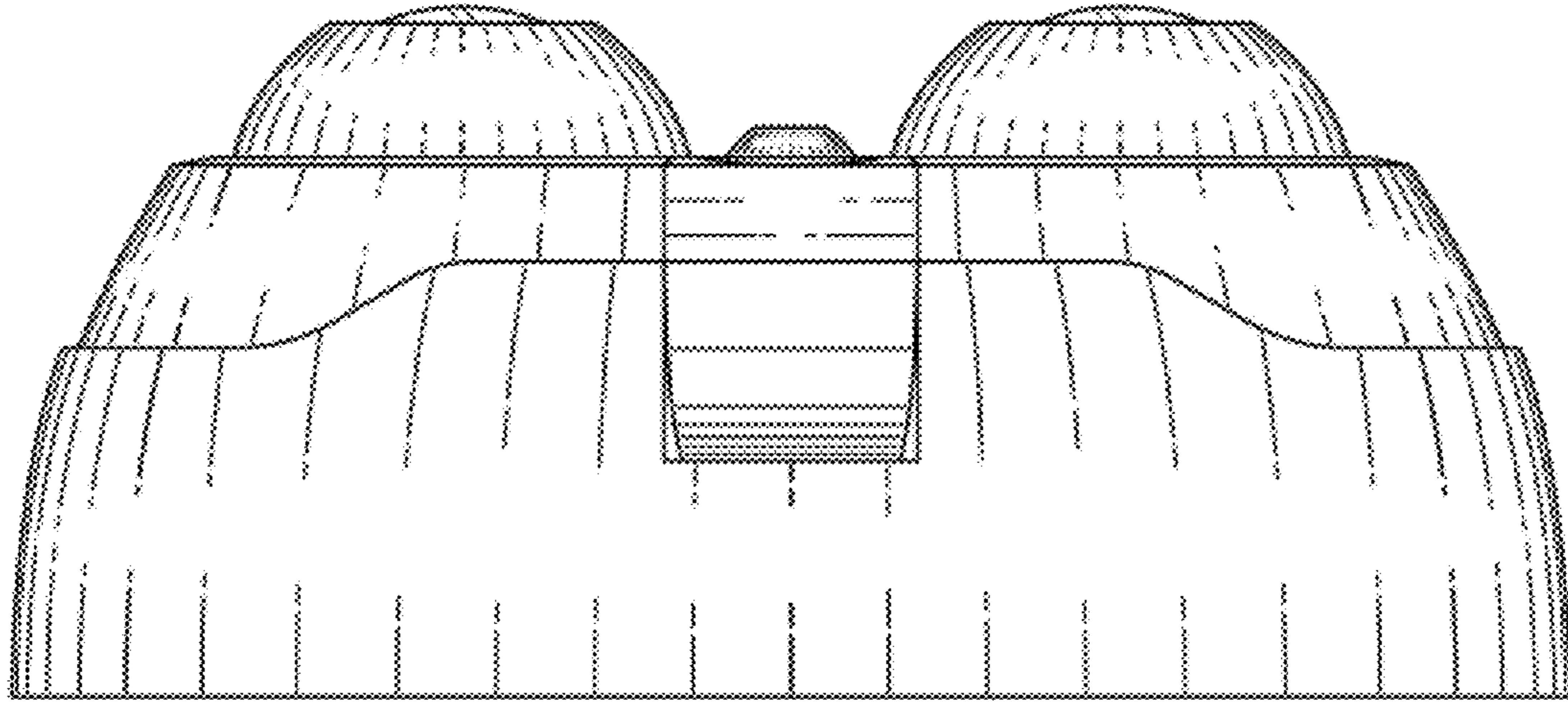


FIG. 5

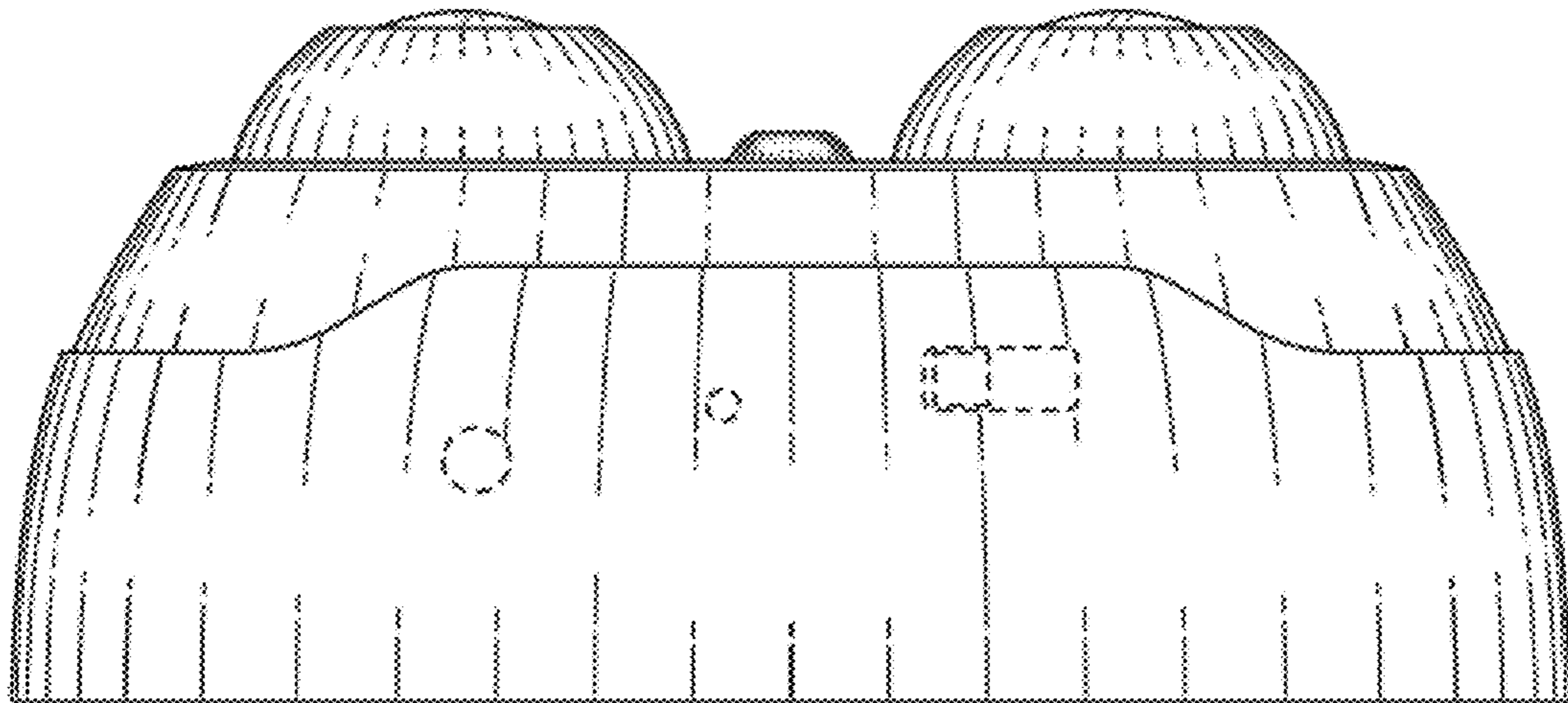


FIG. 6

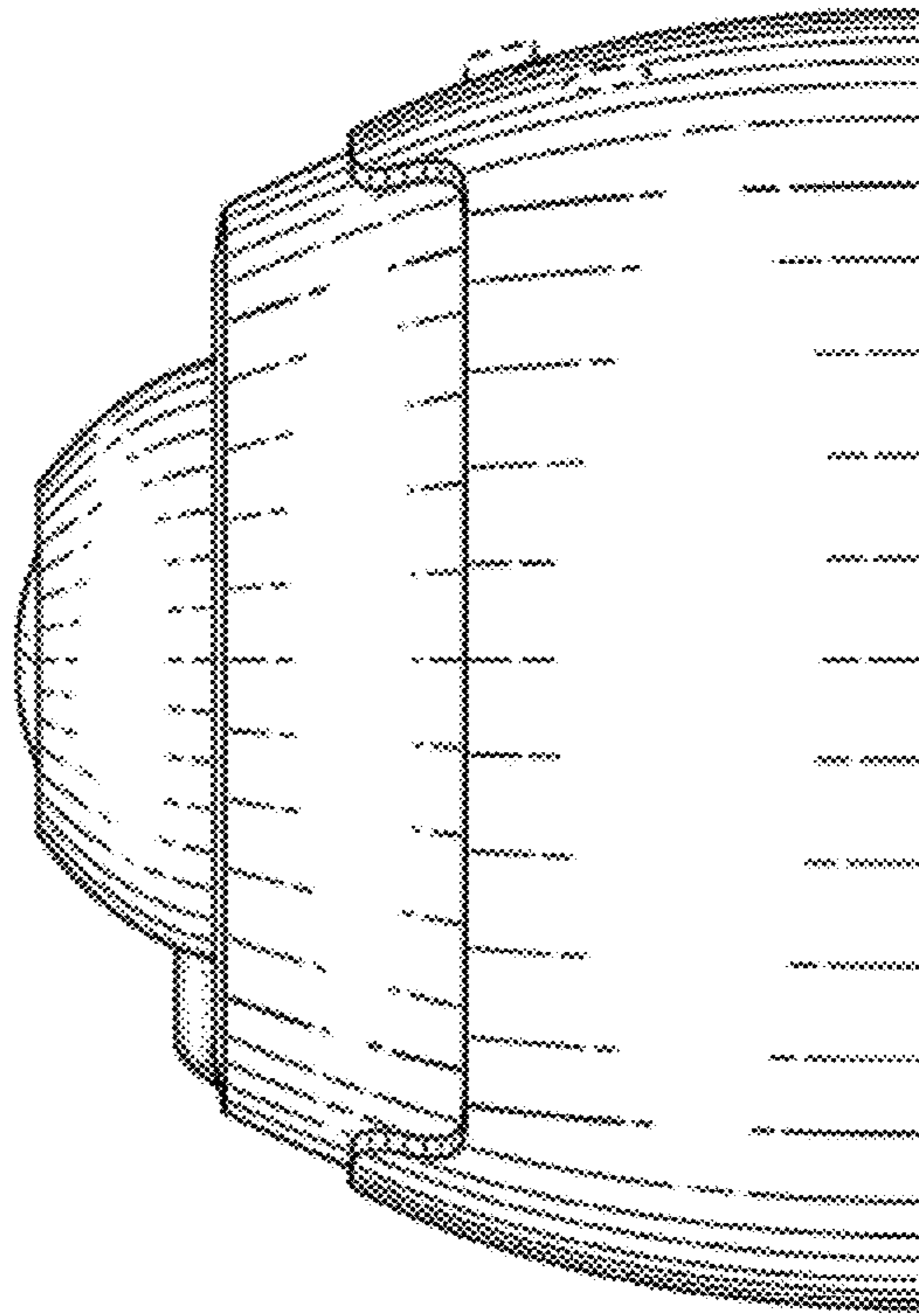


FIG. 8

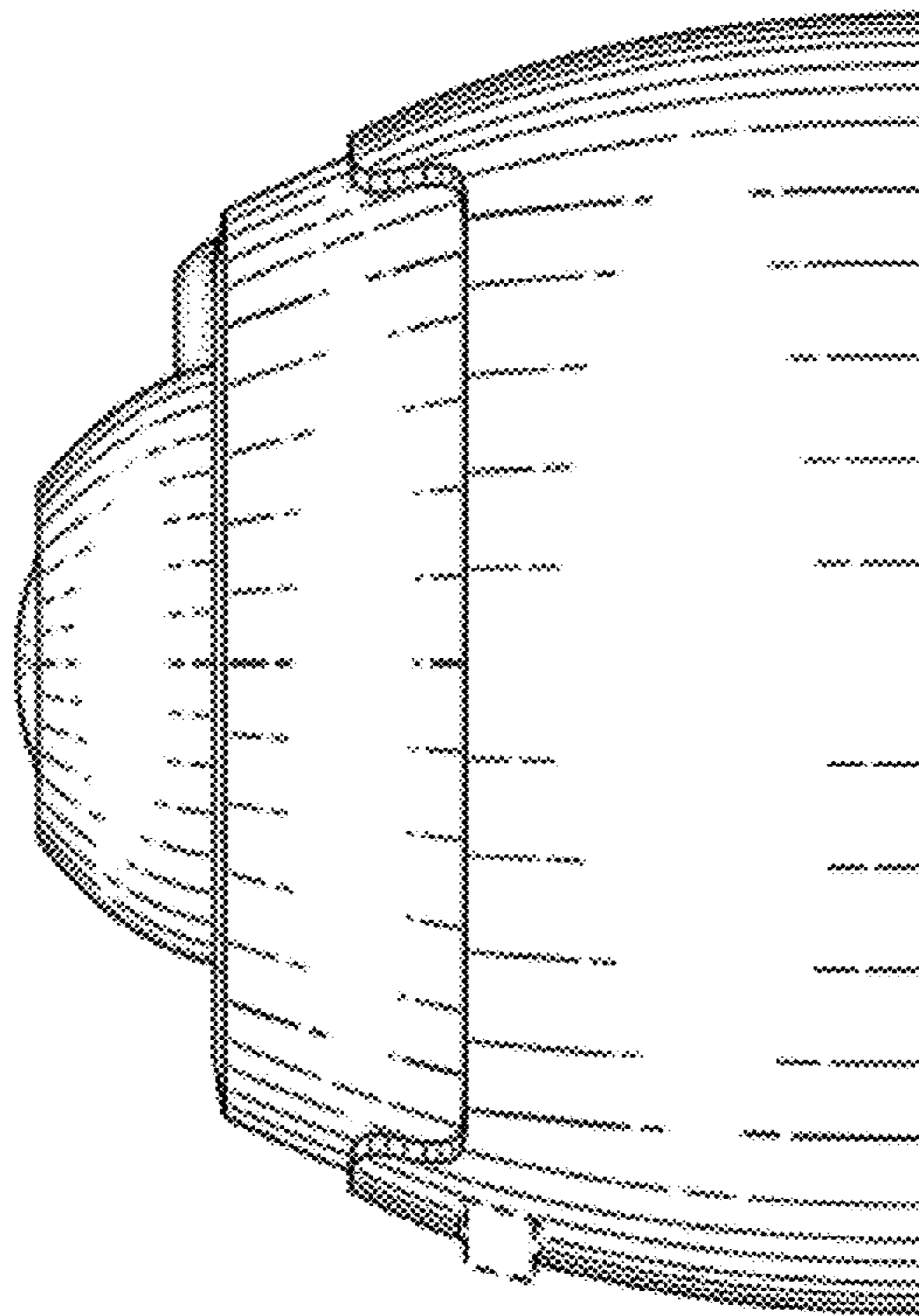


FIG. 7