



US00D658798S

(12) **United States Design Patent**  
**Hillard**

(10) **Patent No.:** **US D658,798 S**

(45) **Date of Patent:** **\*\* May 1, 2012**

(54) **CONTAINER LIGHT**

(75) Inventor: **Jake L. Hillard**, Wichita, KS (US)

(73) Assignee: **The Coleman Company, Inc.**, Wichita, KS (US)

(\*\*) Term: **14 Years**

(21) Appl. No.: **29/354,723**

(22) Filed: **Jan. 27, 2010**

(51) **LOC (9) Cl.** ..... **26-02**

(52) **U.S. Cl.** ..... **D26/51; D26/75**

(58) **Field of Classification Search** ..... D26/37,  
D26/38, 39, 40, 43, 44, 46, 60-63, 65, 51,  
D26/75; 362/98-99, 101, 103, 109-114,  
362/157, 158, 184, 191, 194-198, 287, 427,  
362/396; D22/108-110

See application file for complete search history.

|              |    |   |         |                    |       |        |
|--------------|----|---|---------|--------------------|-------|--------|
| D525,381     | S  | * | 7/2006  | Hodgson            | ..... | D26/60 |
| D543,305     | S  | * | 5/2007  | Wang               | ..... | D26/60 |
| D563,582     | S  | * | 3/2008  | Levine             | ..... | D26/63 |
| D577,138     | S  | * | 9/2008  | Kitagawa et al.    | ..... | D26/37 |
| D581,569     | S  | * | 11/2008 | Levine             | ..... | D26/61 |
| D600,385     | S  | * | 9/2009  | Lippert            | ..... | D26/62 |
| 7,588,340    | B2 |   | 9/2009  | Bauer et al.       |       |        |
| D612,524     | S  | * | 3/2010  | Booher             | ..... | D26/39 |
| D621,083     | S  | * | 8/2010  | Coushaine et al.   | ..... | D26/61 |
| D636,514     | S  | * | 4/2011  | Ruud et al.        | ..... | D26/61 |
| D639,465     | S  | * | 6/2011  | Abernethy et al.   | ..... | D26/24 |
| 2006/0279947 | A1 |   | 12/2006 | Henley, Jr. et al. |       |        |
| 2007/0103895 | A1 |   | 5/2007  | Rieseboch          |       |        |
| 2008/0170388 | A1 |   | 7/2008  | Greil              |       |        |
| 2009/0290331 | A1 |   | 11/2009 | Jacobs             |       |        |

\* cited by examiner

*Primary Examiner* — Ian Simmons

*Assistant Examiner* — Carissa C Fitts

(57) **CLAIM**

The ornamental design for a container light, as shown and described.

(56) **References Cited**

U.S. PATENT DOCUMENTS

|           |    |   |         |                   |       |        |
|-----------|----|---|---------|-------------------|-------|--------|
| D128,054  | S  | * | 7/1941  | Mitchell          | ..... | D26/60 |
| D155,488  | S  | * | 10/1949 | Crockett          | ..... | D26/60 |
| D167,930  | S  | * | 10/1952 | Dribnack          | ..... | D26/60 |
| D353,041  | S  | * | 12/1994 | Stenberg          | ..... | D3/5   |
| 5,459,648 | A  |   | 10/1995 | Courtney          |       |        |
| 5,558,429 | A  |   | 9/1996  | Cain              |       |        |
| D418,239  | S  | * | 12/1999 | Zeller            | ..... | D26/60 |
| D421,142  | S  | * | 2/2000  | Bayat             | ..... | D26/42 |
| 6,182,462 | B1 |   | 2/2001  | Bania et al.      |       |        |
| D441,476  | S  | * | 5/2001  | Mendelsohn et al. | ..... | D26/63 |
| 6,848,807 | B2 |   | 2/2005  | Guerrieri         |       |        |
| 6,981,780 | B2 |   | 1/2006  | Einav             |       |        |
| 7,033,040 | B2 |   | 4/2006  | Spahr et al.      |       |        |
| 7,055,983 | B1 |   | 6/2006  | Baker et al.      |       |        |

**DESCRIPTION**

FIG. 1 is a front side perspective view of my container light, shown in reference inside a container; FIG. 2 is a front perspective view of the light of FIG. 1; FIG. 3 is a front elevation view thereof; FIG. 4 is a rear elevation view thereof; FIG. 5 is a top plan view thereof; and FIG. 6 is a bottom plan view thereof; FIG. 7 is a left side elevation view thereof; and, FIG. 8 is a right side elevation view thereof. The broken line showing is for illustrative purposes only and forms no part of the claimed design.

**1 Claim, 3 Drawing Sheets**

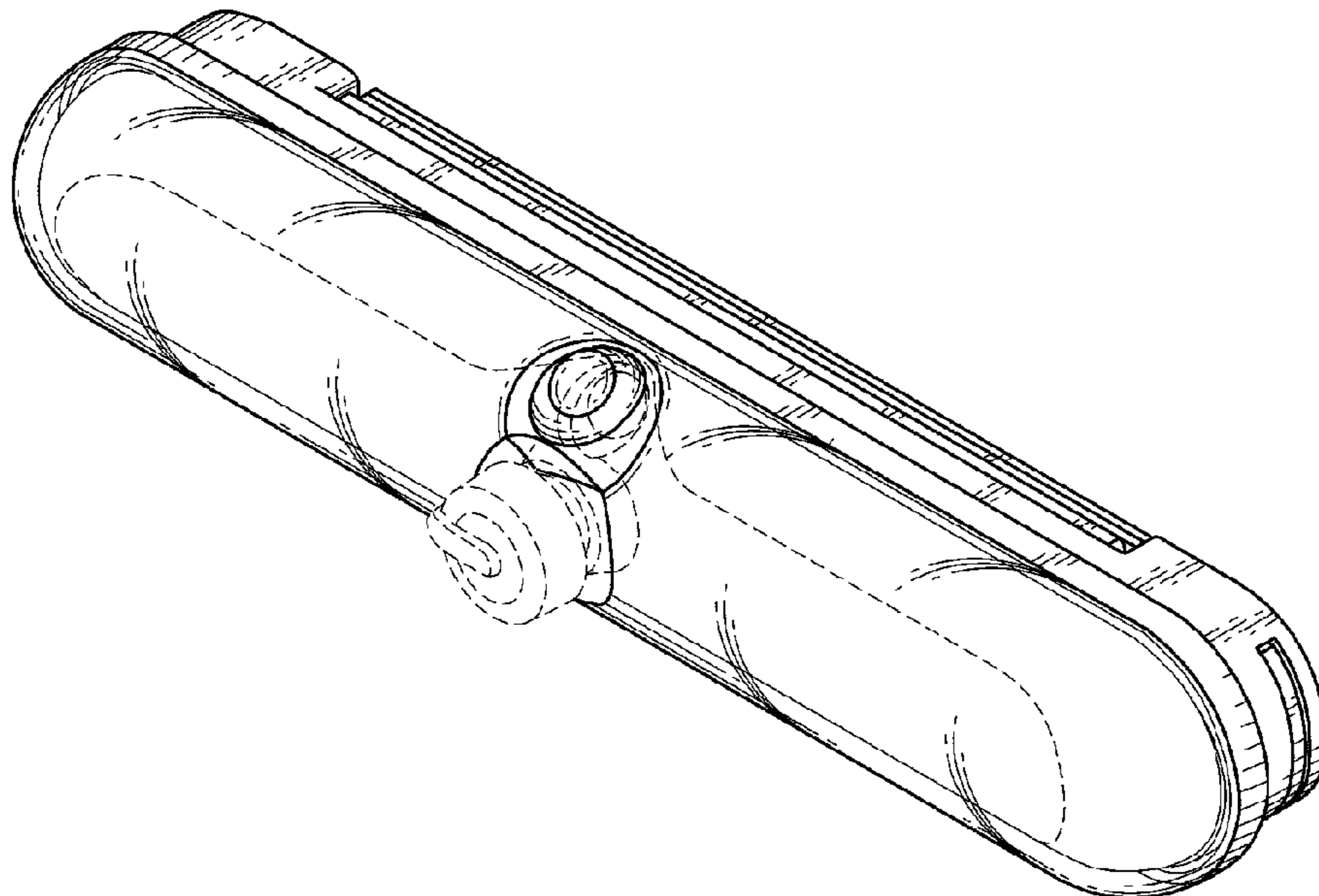


FIG. 1

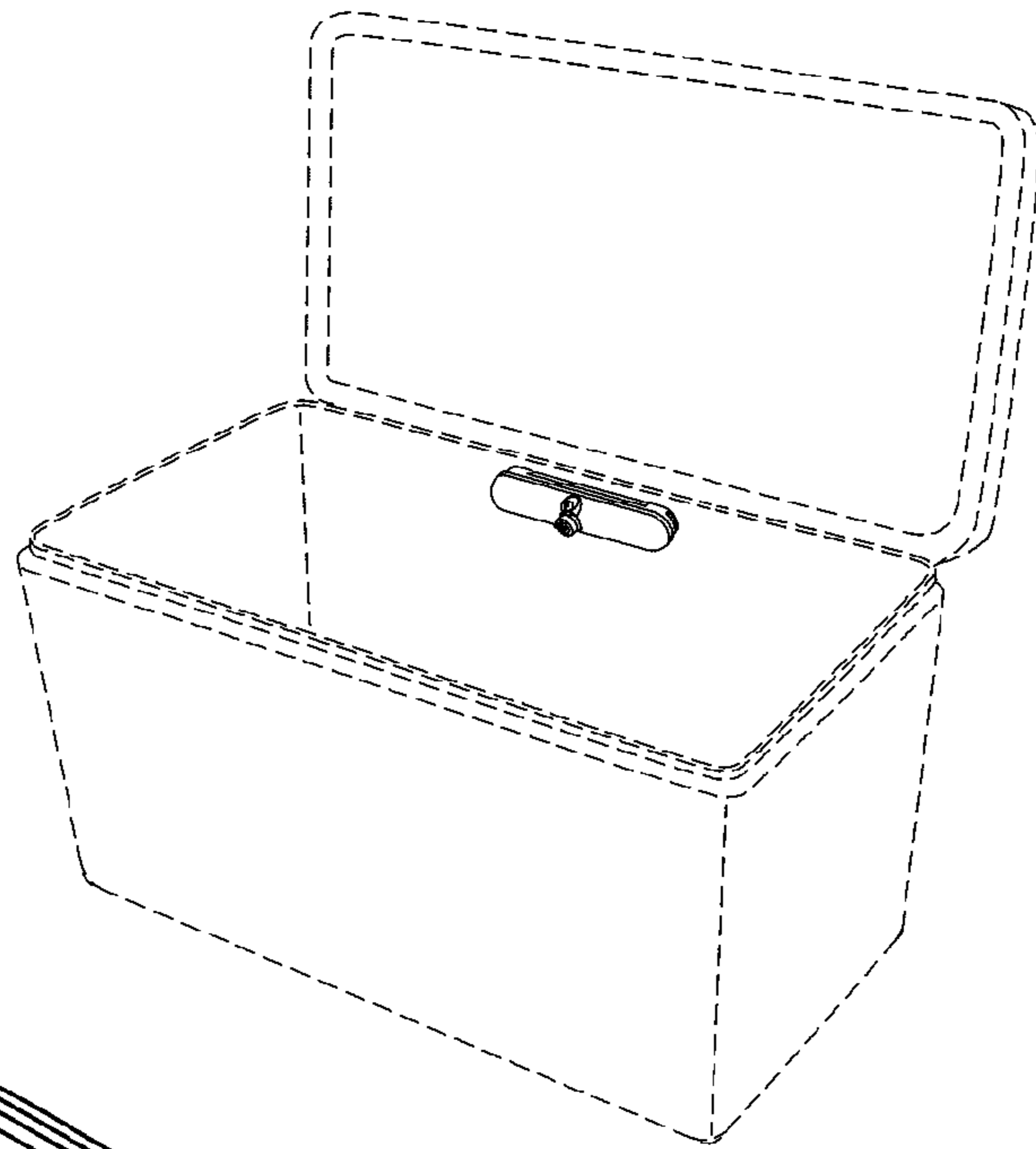


FIG. 2

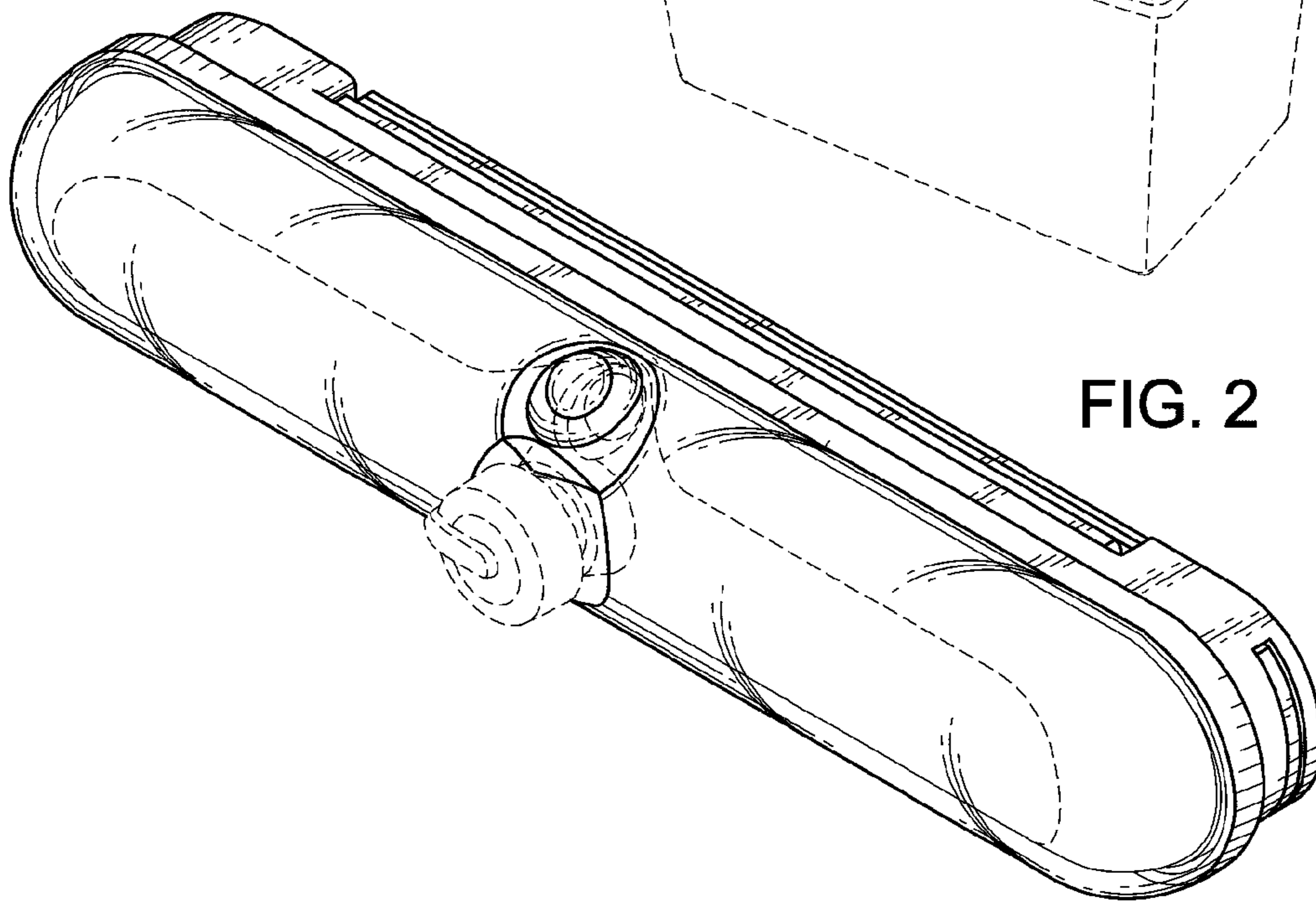


FIG. 7

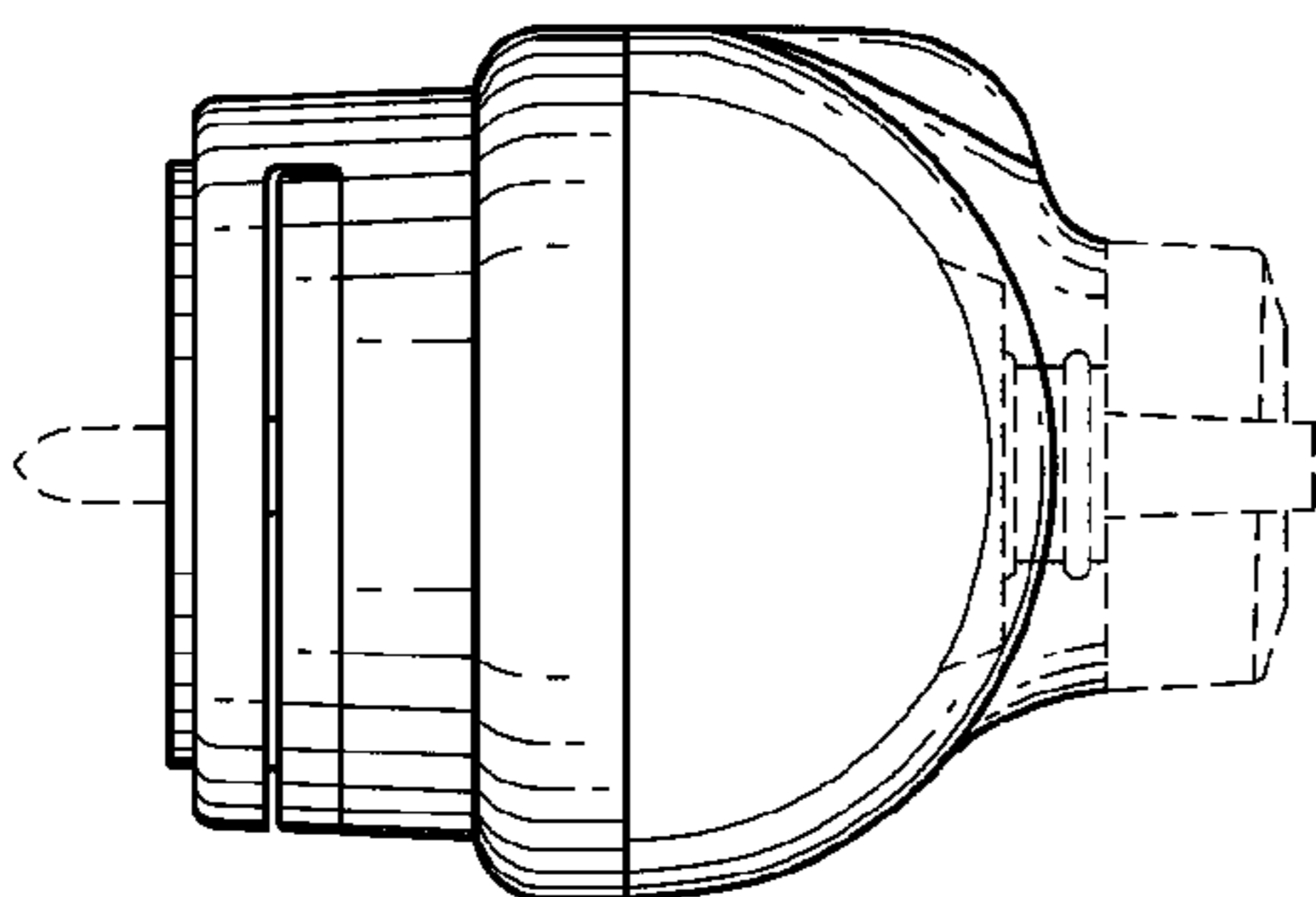


FIG. 8

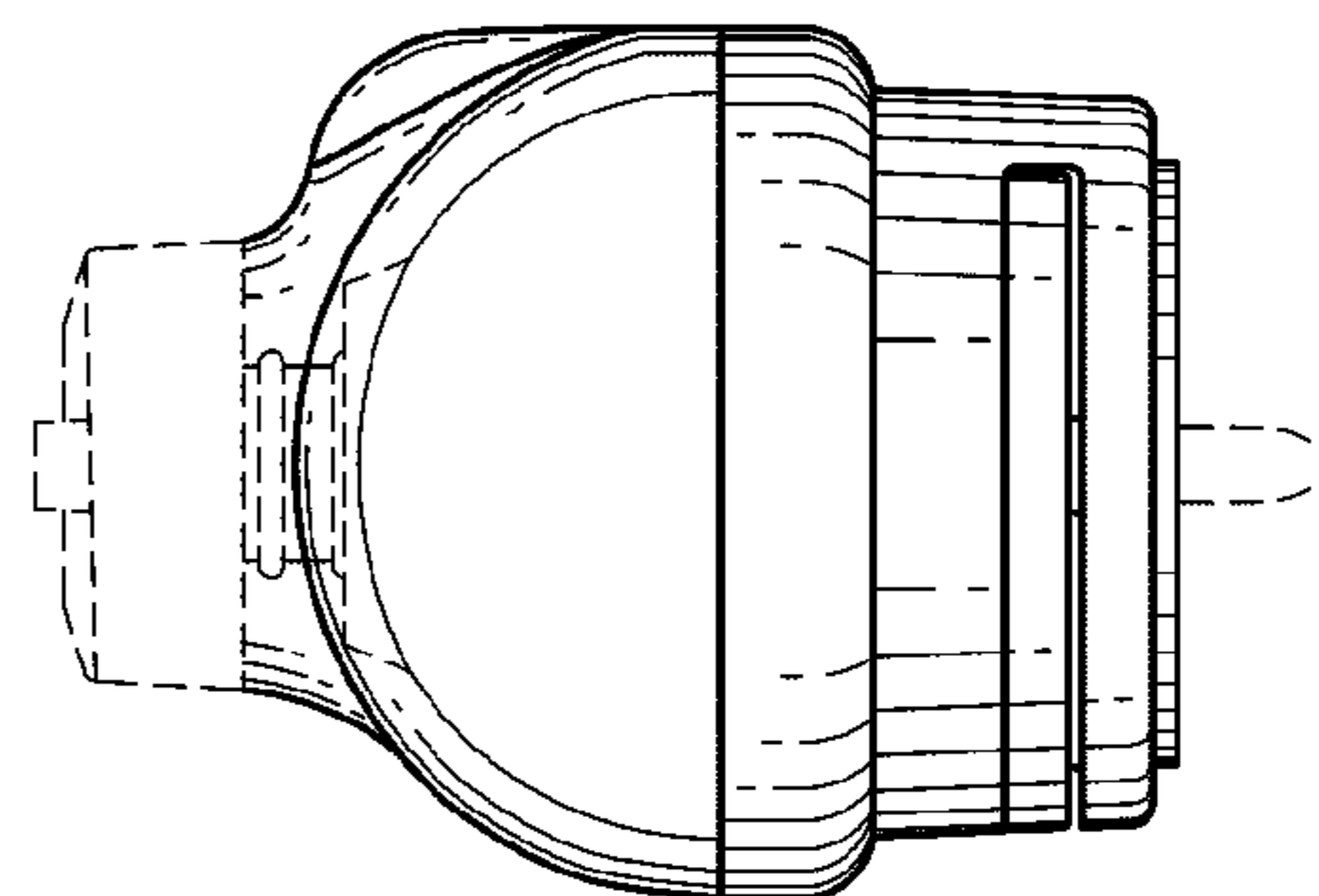


FIG. 3

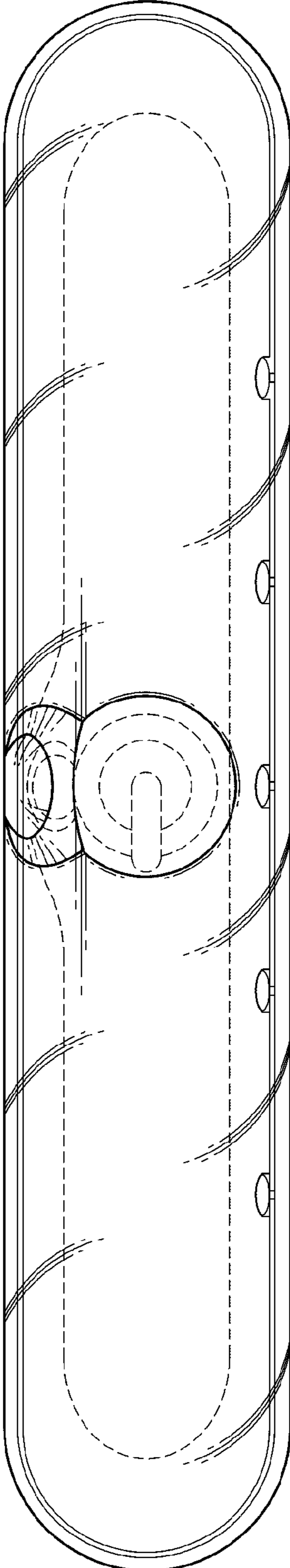


FIG. 4

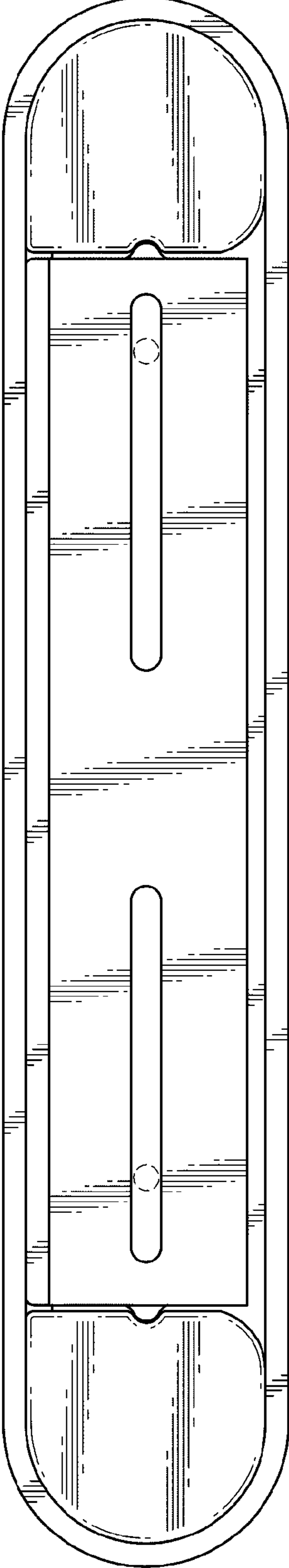




FIG. 5

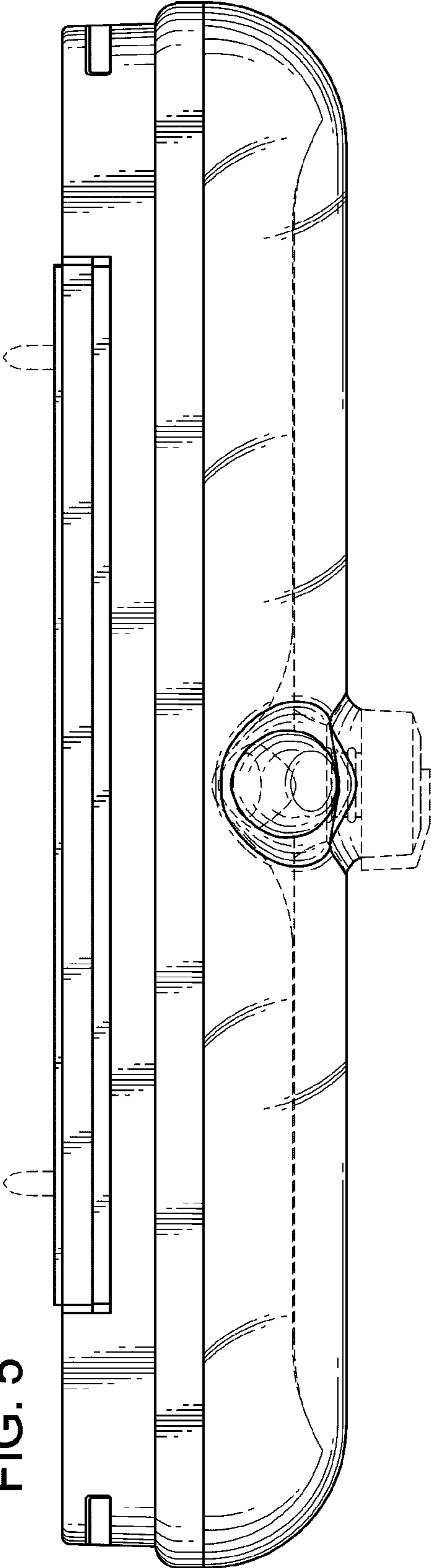


FIG. 6

