



US00D658797S

(12) **United States Design Patent**
Bayat et al.

(10) **Patent No.:** **US D658,797 S**
(45) **Date of Patent:** **** May 1, 2012**

(54) **COMPACT TRI-LOBAL DUAL LIGHT**

(75) Inventors: **Bijan Bayat**, Plano, TX (US); **Gordon L. Treichler**, Wylie, TX (US)

(73) Assignee: **Bayco Products, Ltd.**, Wylie, TX (US)

(**) Term: **14 Years**

(21) Appl. No.: **29/378,114**

(22) Filed: **Oct. 29, 2010**

(51) **LOC (9) Cl.** **26-02**

(52) **U.S. Cl.** **D26/46**

(58) **Field of Classification Search** D26/37,

D26/39, 38, 42, 46, 49, 51; 362/157, 158,

362/184-186, 194-196, 202-208

See application file for complete search history.

(56) **References Cited**

U.S. PATENT DOCUMENTS

3,383,675	A	5/1968	Allardice et al.	
D251,267	S *	3/1979	Zelina	D26/42
D403,446	S *	12/1998	Lynch et al.	D26/37
6,286,973	B1 *	9/2001	Thrower	362/86
D505,217	S	5/2005	Bayat et al.	
D513,810	S *	1/2006	Ho	D26/37
D534,673	S *	1/2007	Muszynski	D26/49
D536,812	S *	2/2007	Bayat et al.	D26/37
D540,484	S *	4/2007	Bayat et al.	D26/42
D541,962	S *	5/2007	Bayat et al.	D26/42
D622,431	S *	8/2010	Bayat et al.	D26/46
D637,749	S *	5/2011	Bayat et al.	D26/49
D643,560	S *	8/2011	Tompkin	D26/40

D646,007	S *	9/2011	Tompkin	D26/46
2002/0191396	A1	12/2002	Reiff et al.	
2007/0159816	A1 *	7/2007	Bayat et al.	362/184
2008/0211428	A1 *	9/2008	Bayat et al.	315/299

OTHER PUBLICATIONS

Bayco, Profession Task Lighting for Industry, catalog, Aug. 2004, front cover/title page, p. 4 (Cordless LED Worklights, back cover page.

* cited by examiner

Primary Examiner — Ian Simmons

Assistant Examiner — Carissa C Fitts

(74) *Attorney, Agent, or Firm* — Whitaker Chalk Swindle & Schwartz PLLC; Stephen S. Mosher

(57) **CLAIM**

The ornamental design for a compact tri-lobal dual light, as shown and described.

DESCRIPTION

FIG. 1 is a frontward perspective view of a bottom side of a compact tri-lobal dual light;

FIG. 2 is a rearward perspective view of a top side thereof;

FIG. 3 is a top side view thereof;

FIG. 4 is a first side view thereof, which is a mirror image of the second side;

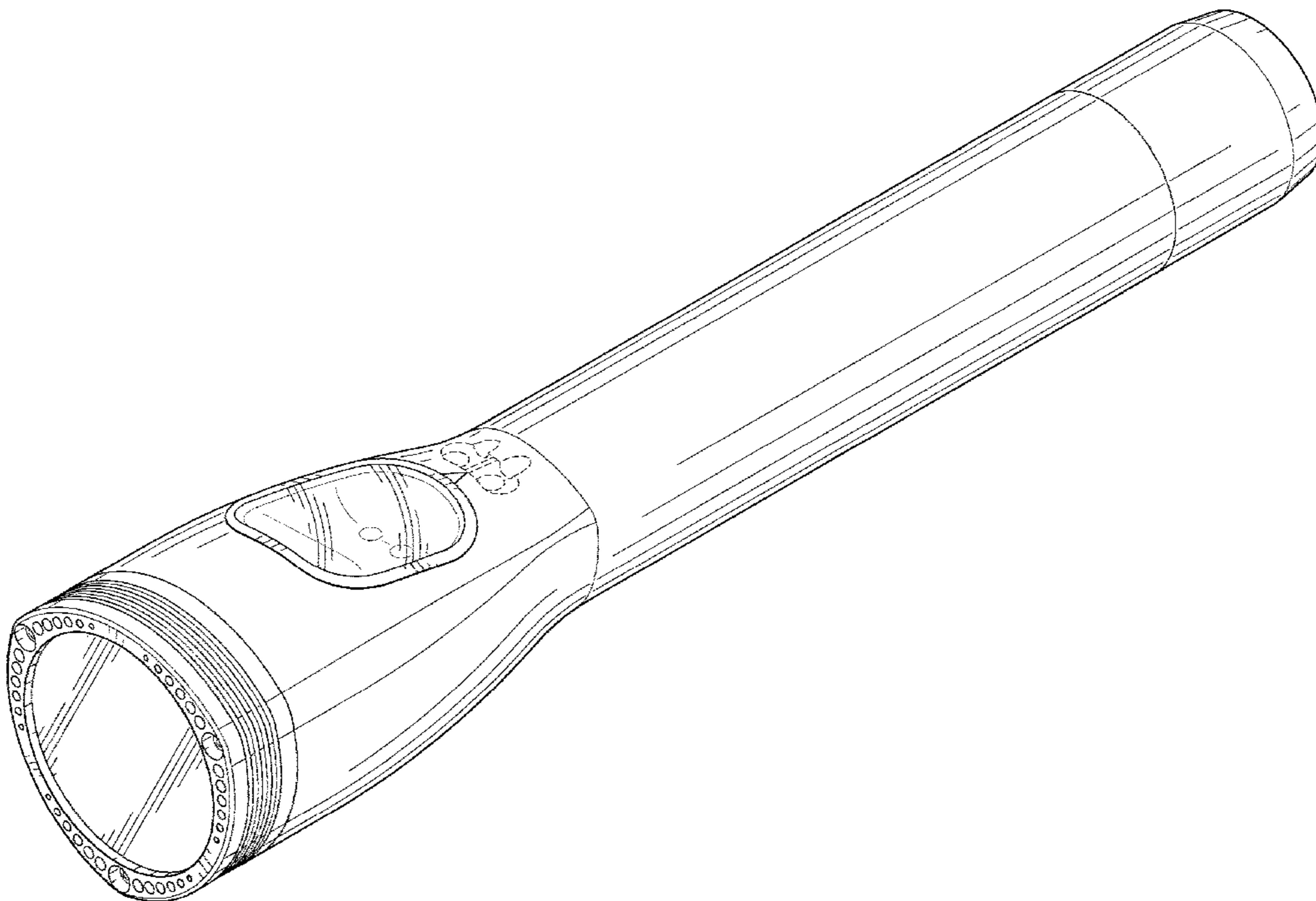
FIG. 5 is a bottom side view thereof;

FIG. 6 is a front end view thereof; and,

FIG. 7 is a rear end view thereof.

The broken line showing is for environmental purposes only and forms no part of the claimed design.

1 Claim, 4 Drawing Sheets



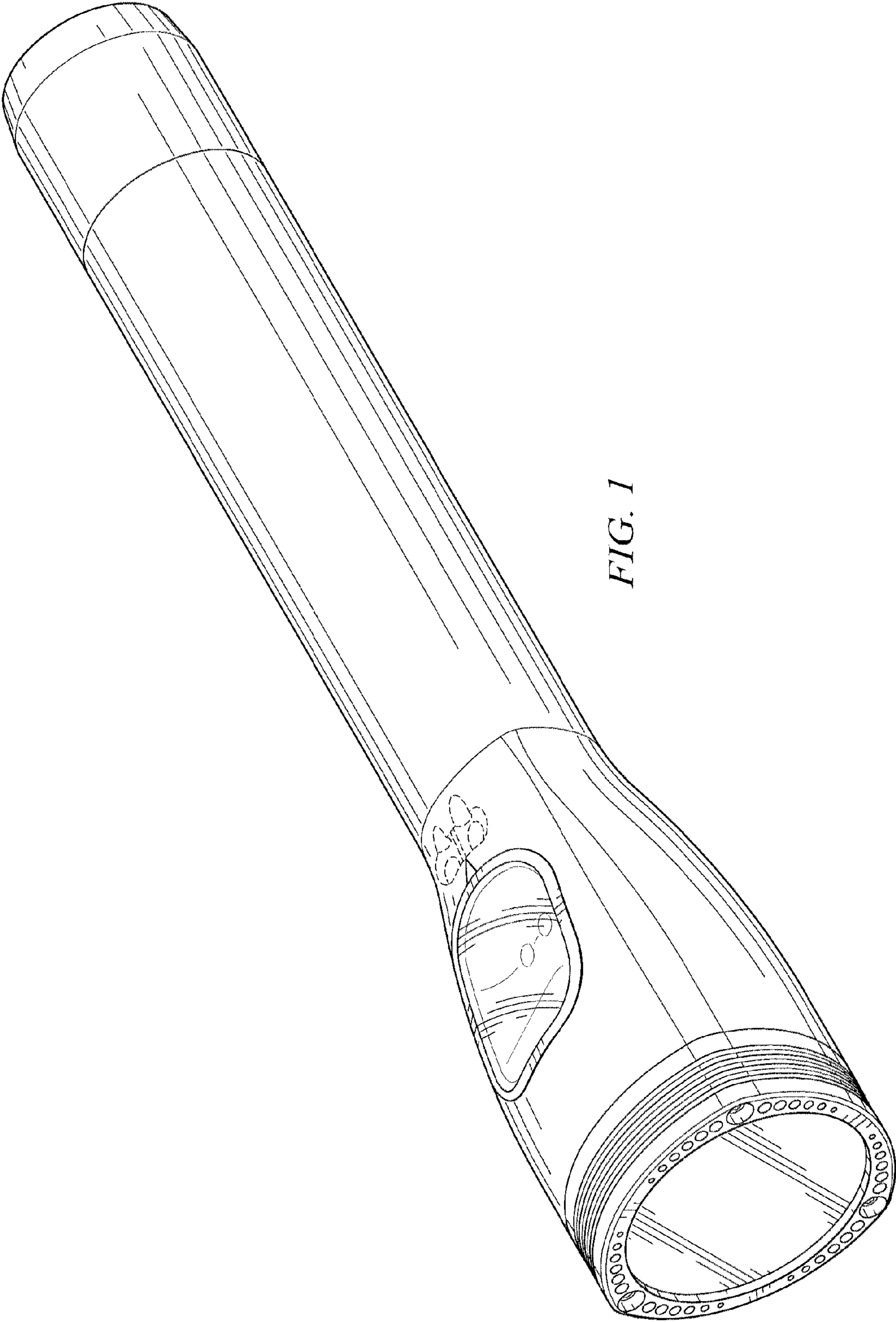


FIG. 1

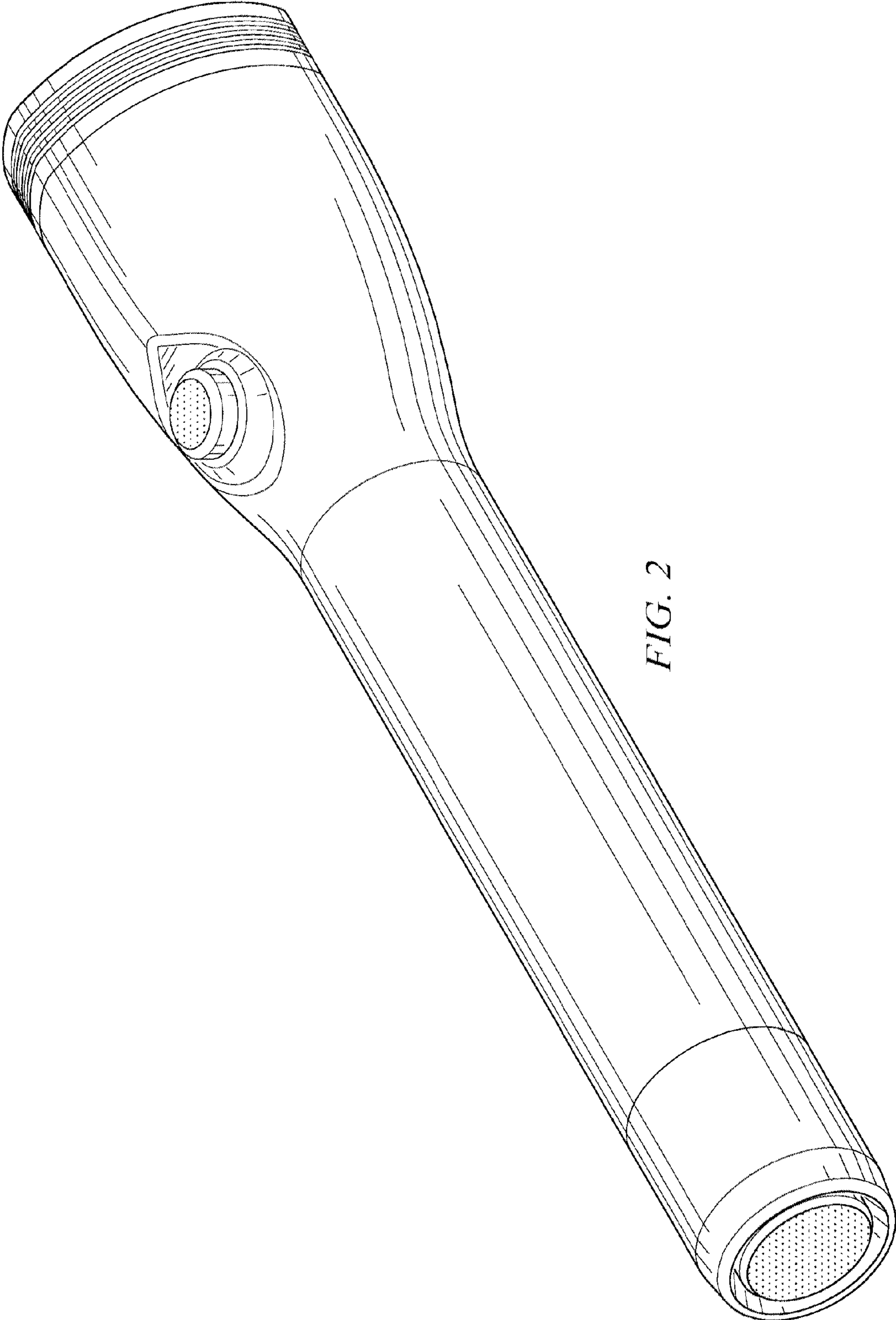


FIG. 2

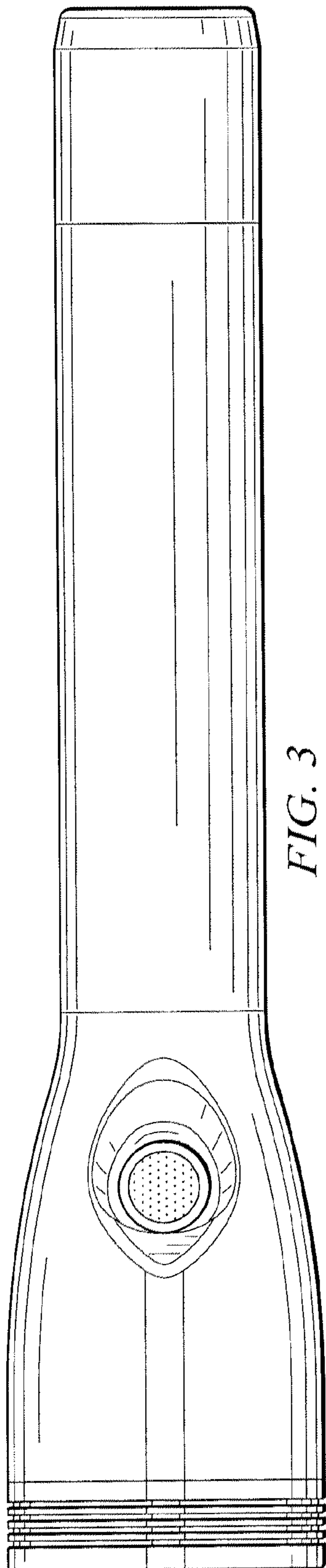


FIG. 3

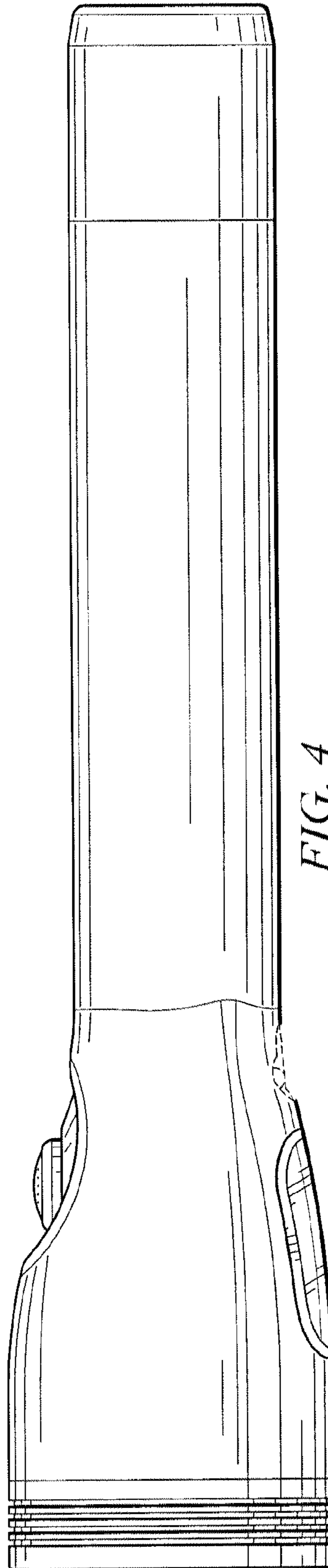


FIG. 4

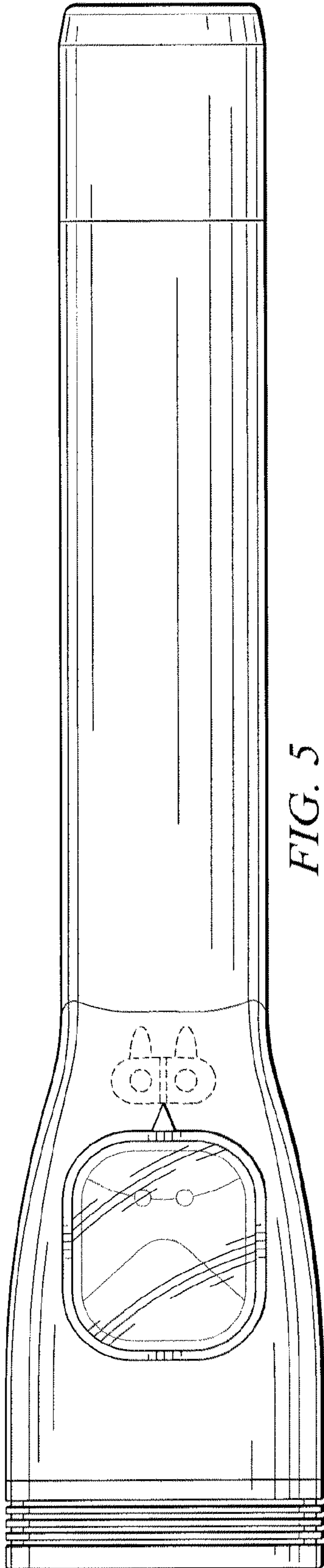


FIG. 5

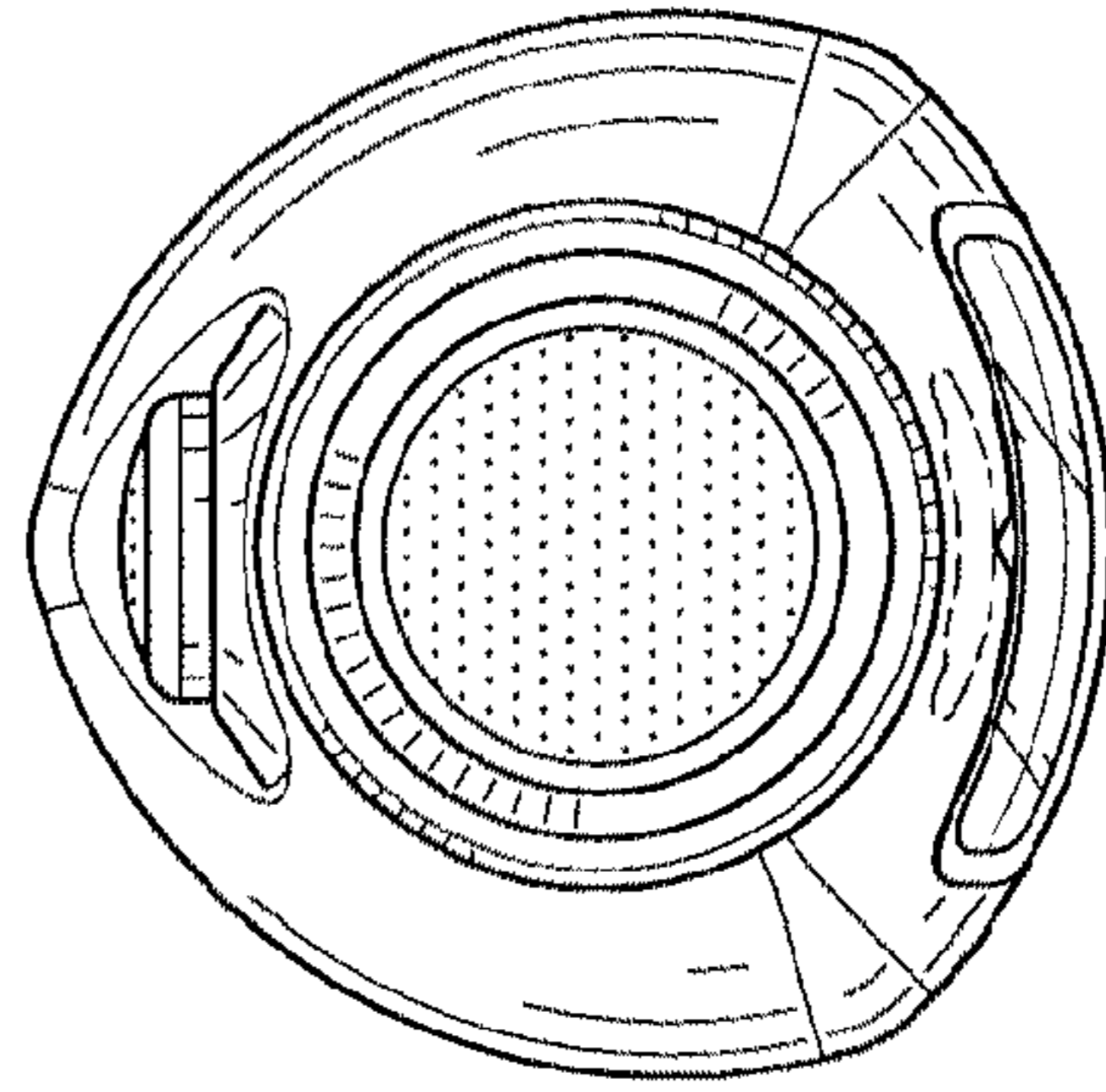


FIG. 7

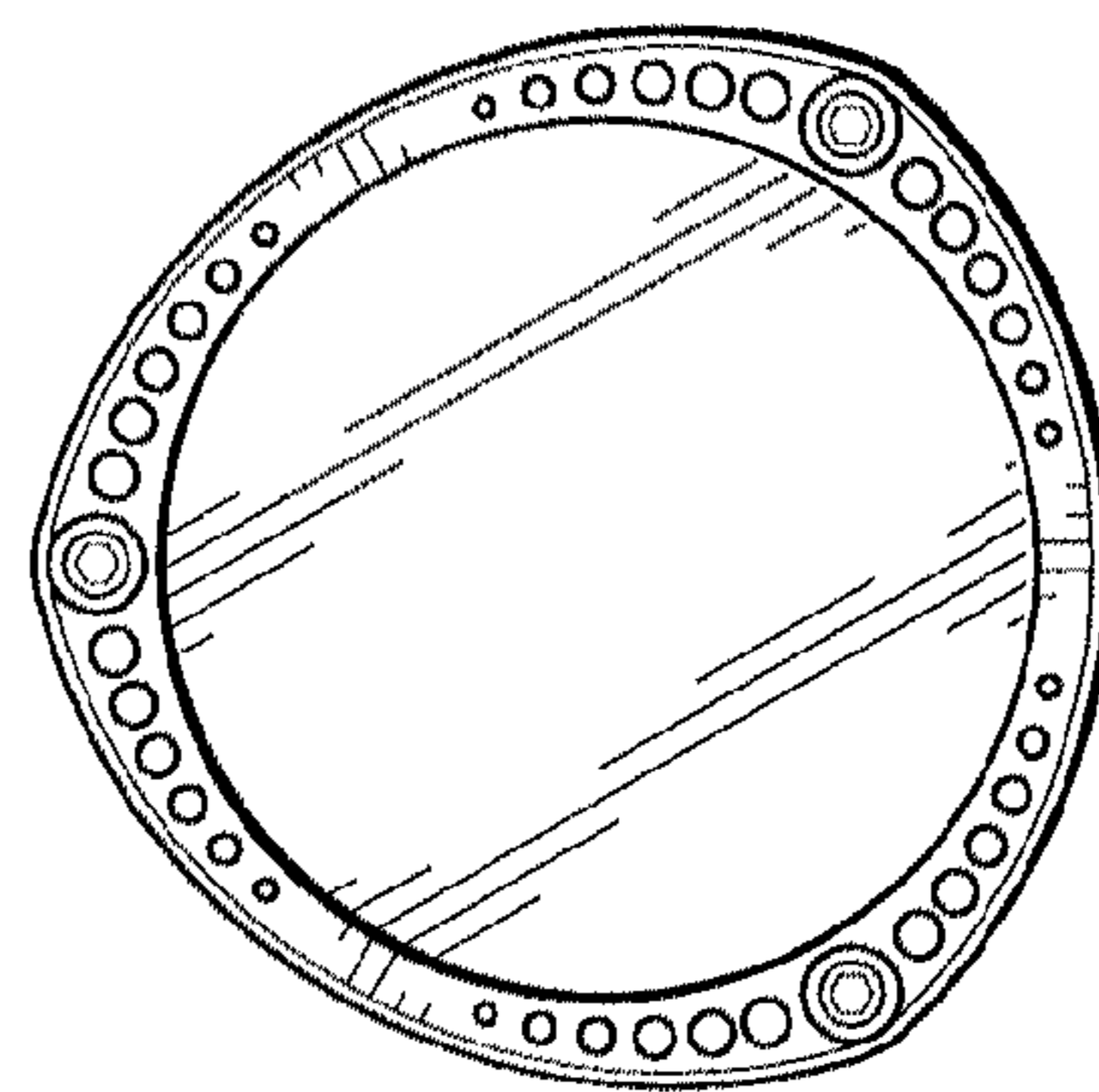


FIG. 6