



US00D658796S

(12) **United States Design Patent**
Inskeep

(10) **Patent No.:** **US D658,796 S**

(45) **Date of Patent:** **** May 1, 2012**

(54) **SPOTLIGHT**

(76) Inventor: **Mathew Inskeep**, Boca Raton, FL (US)

(**) Term: **14 Years**

(21) Appl. No.: **29/374,824**

(22) Filed: **Oct. 12, 2011**

(51) **LOC (9) Cl.** **26-02**

(52) **U.S. Cl.** **D26/45**

(58) **Field of Classification Search** D26/37,
D26/38, 46, 50, 44, 45; 362/157, 158, 183,
362/184, 194–197, 202–208

See application file for complete search history.

(56) **References Cited**

U.S. PATENT DOCUMENTS

D282,873 S *	3/1986	May et al.	D26/45
D356,875 S *	3/1995	Zelina, Jr.	D26/38
D429,013 S *	8/2000	Poon	D26/45
D434,513 S *	11/2000	Poon	D26/45
D491,303 S *	6/2004	Shen	D26/45
D508,578 S *	8/2005	Shen	D26/45
D525,735 S *	7/2006	Krieger et al.	D26/45

D629,938 S *	12/2010	Yuen	D26/45
D645,180 S *	9/2011	Slater	D26/45
2007/0064415 A1 *	3/2007	Wood	362/205

* cited by examiner

Primary Examiner — Ian Simmons

Assistant Examiner — Carissa C Fitts

(57) **CLAIM**

The ornamental design for a spotlight, as shown.

DESCRIPTION

FIG. 1 is a top perspective view of the spotlight showing my new design.

FIG. 2 is a bottom perspective view.

FIG. 3 is a top view.

FIG. 4 is a bottom view.

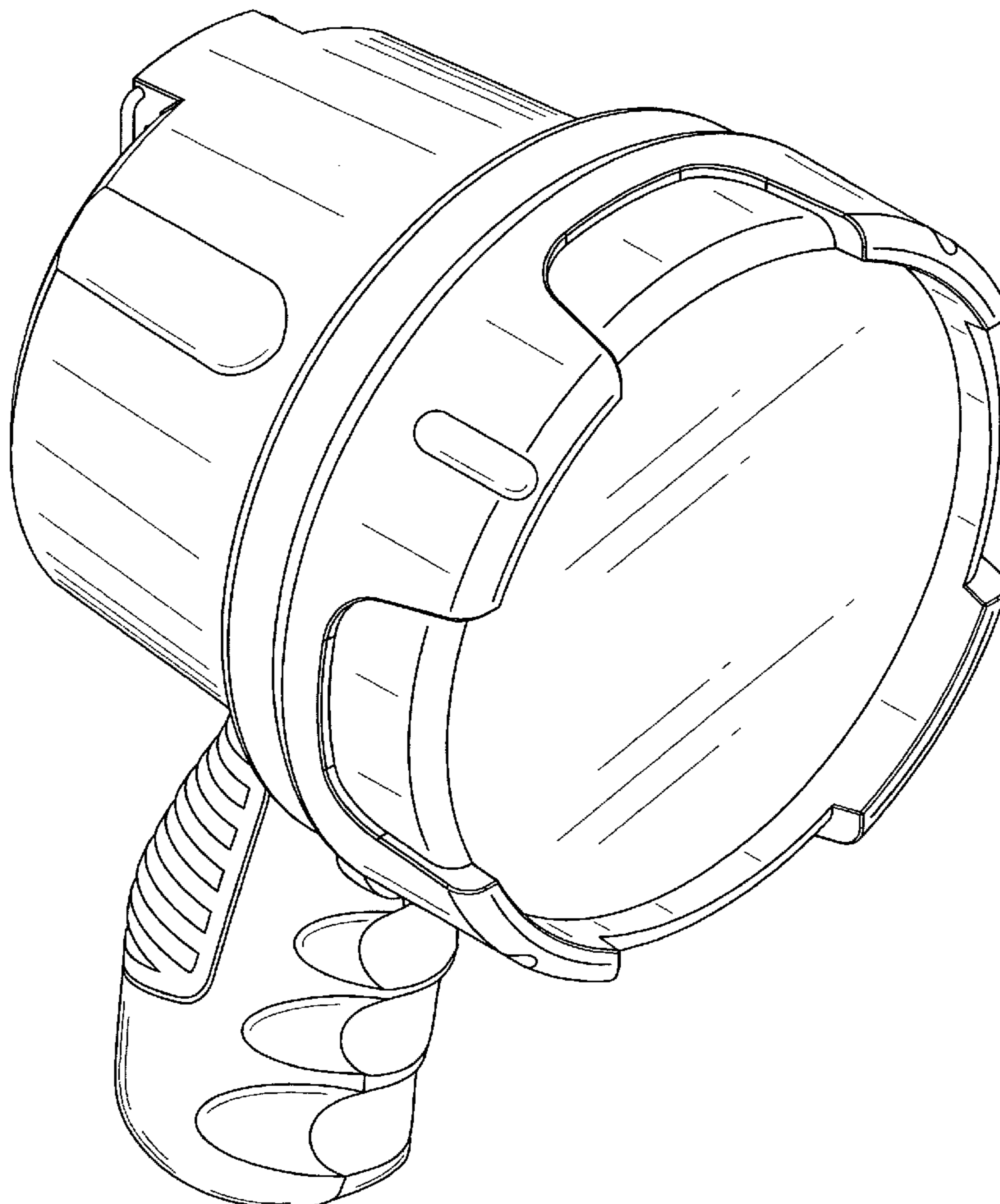
FIG. 5 is right side view thereof.

FIG. 6 is a left side view thereof.

FIG. 7 is a front view thereof; and,

FIG. 8 is a back view thereof.

1 Claim, 8 Drawing Sheets



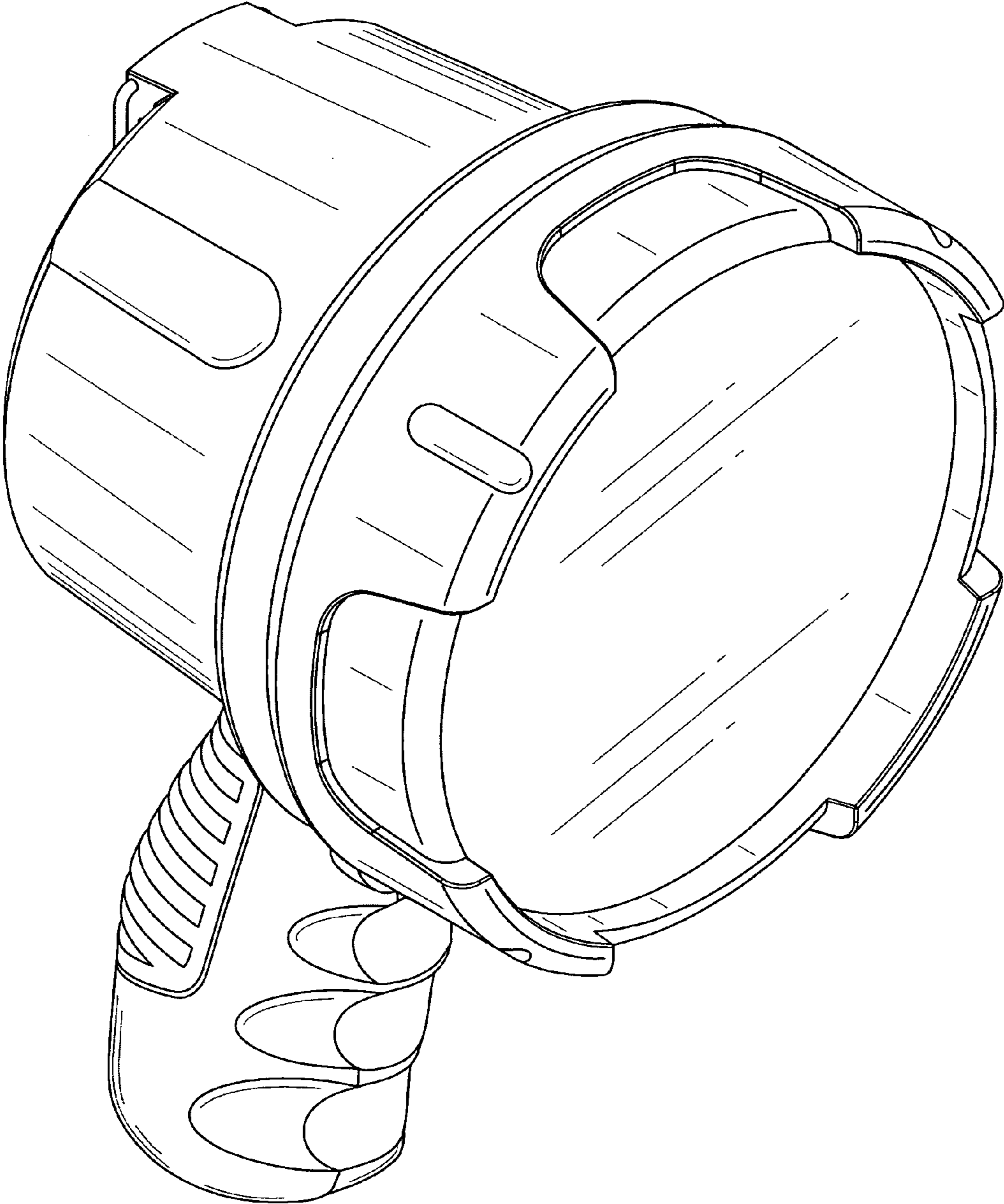


FIG. 1

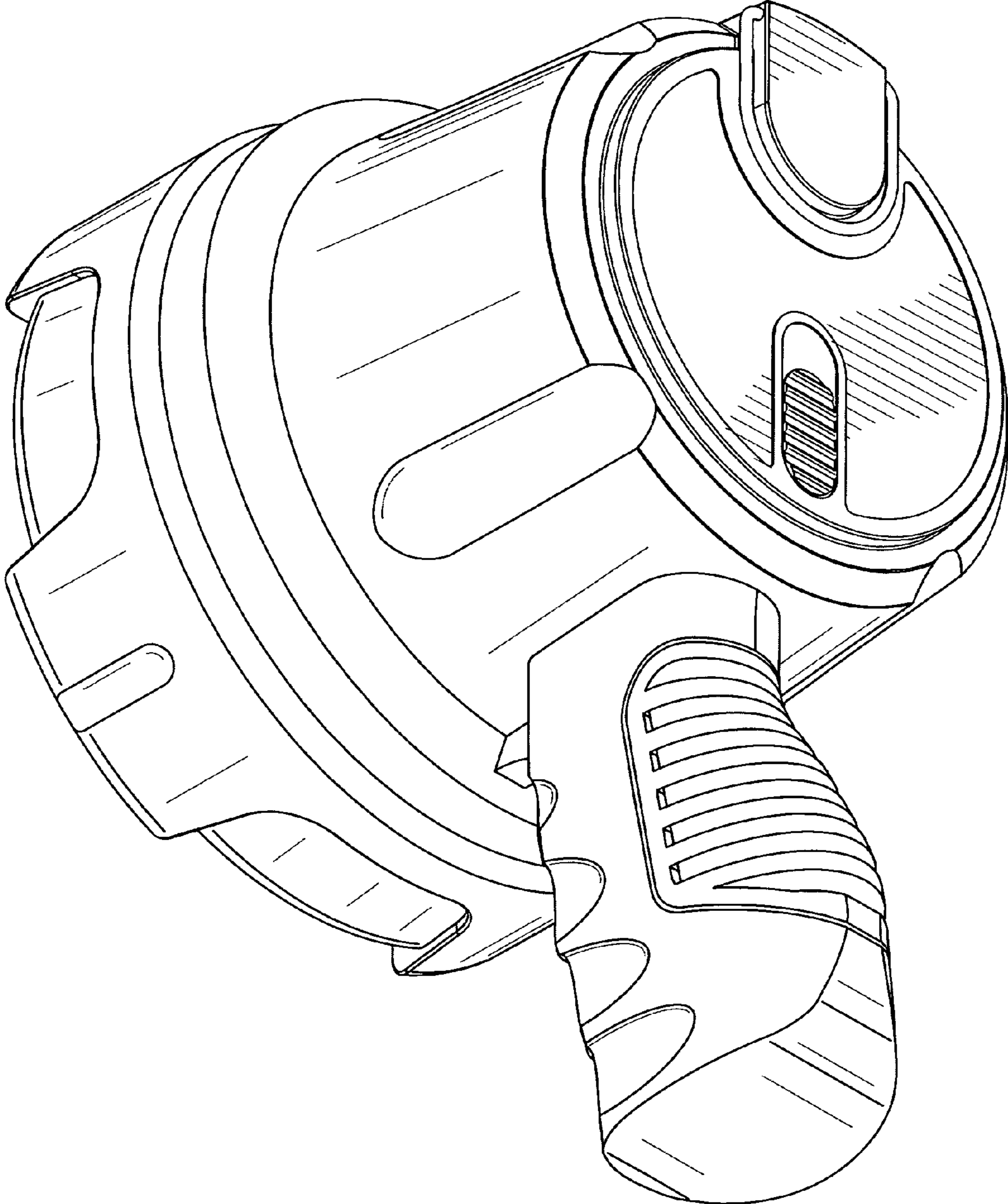


FIG. 2

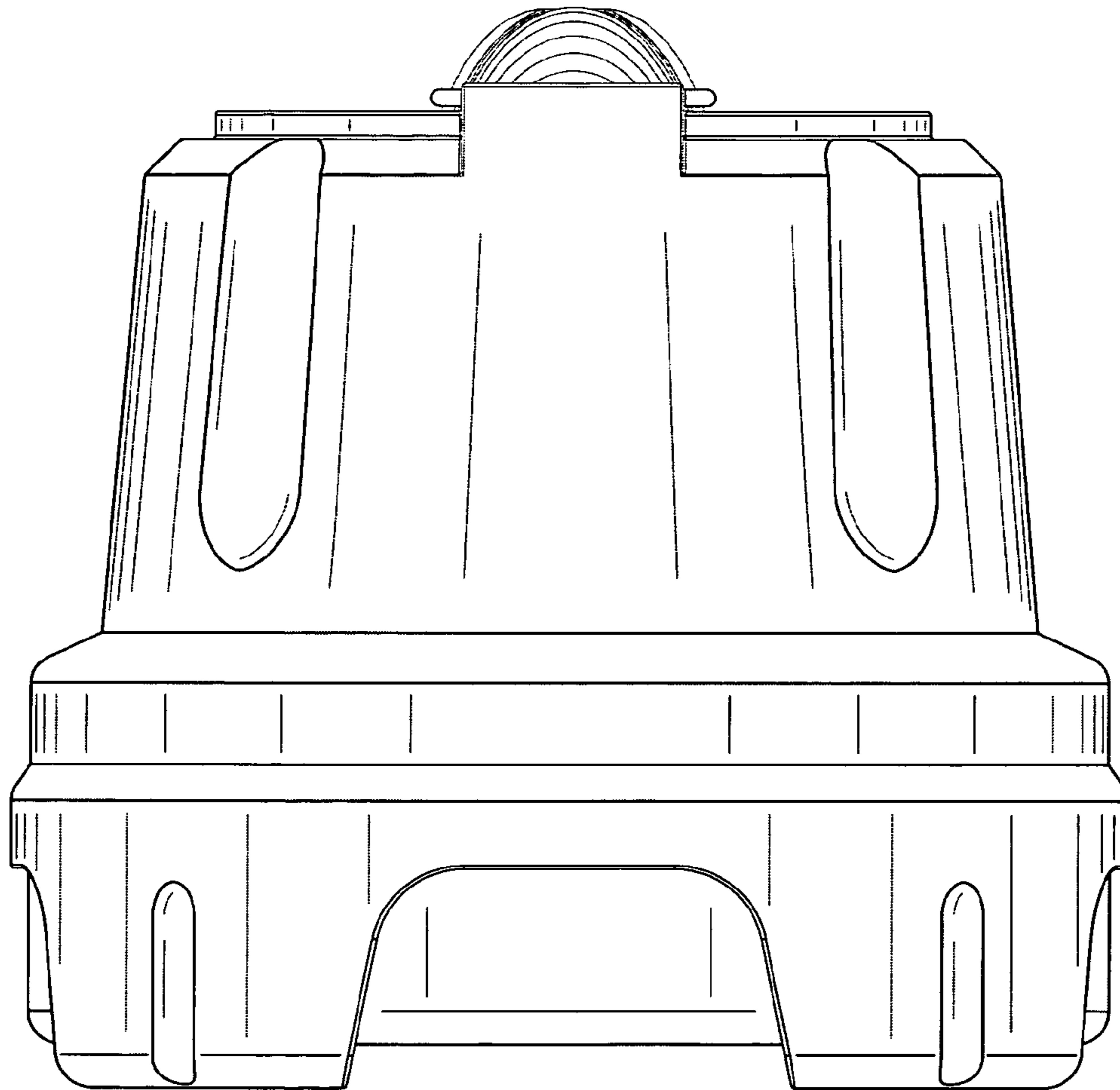


FIG. 3

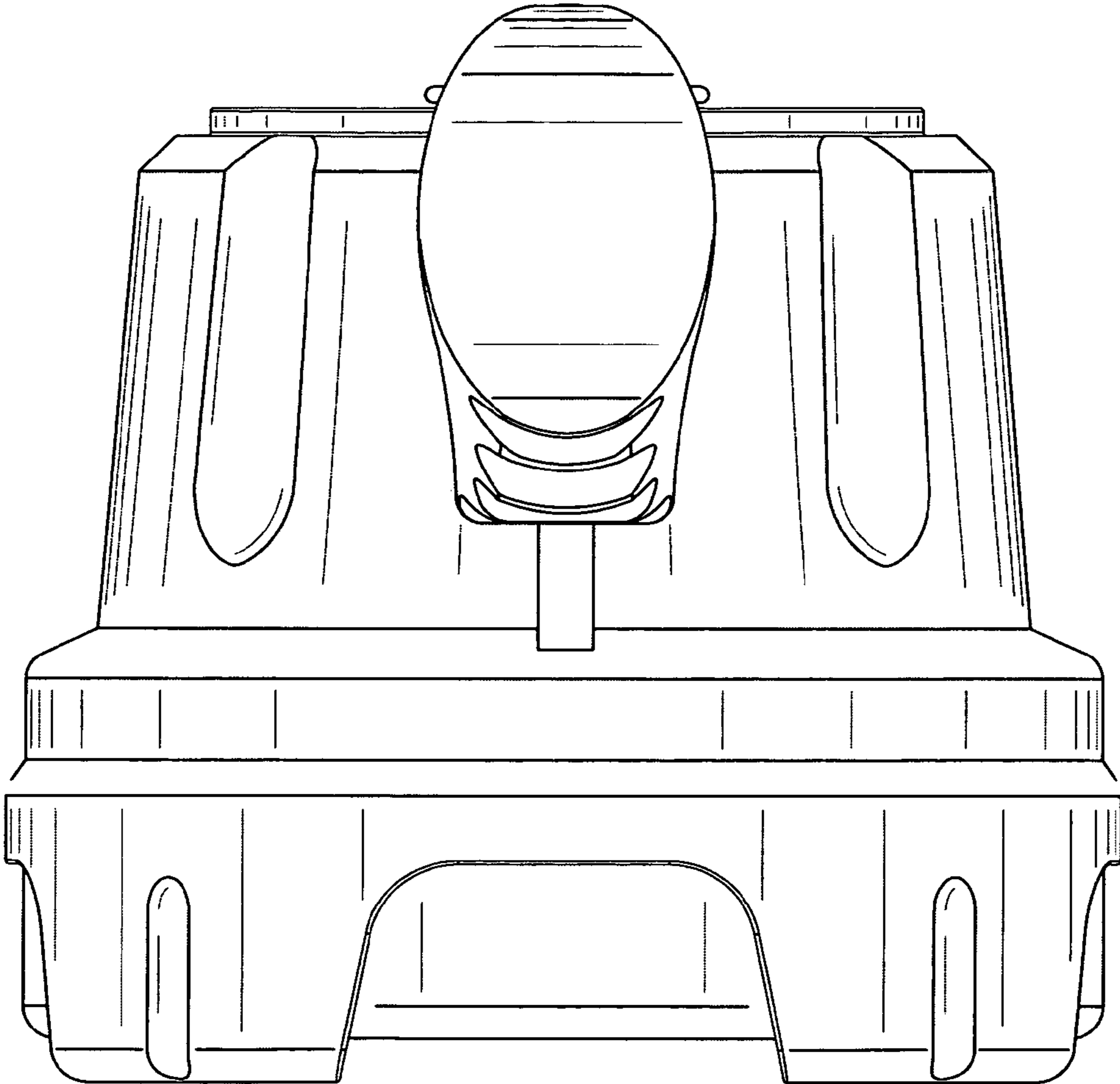


FIG. 4

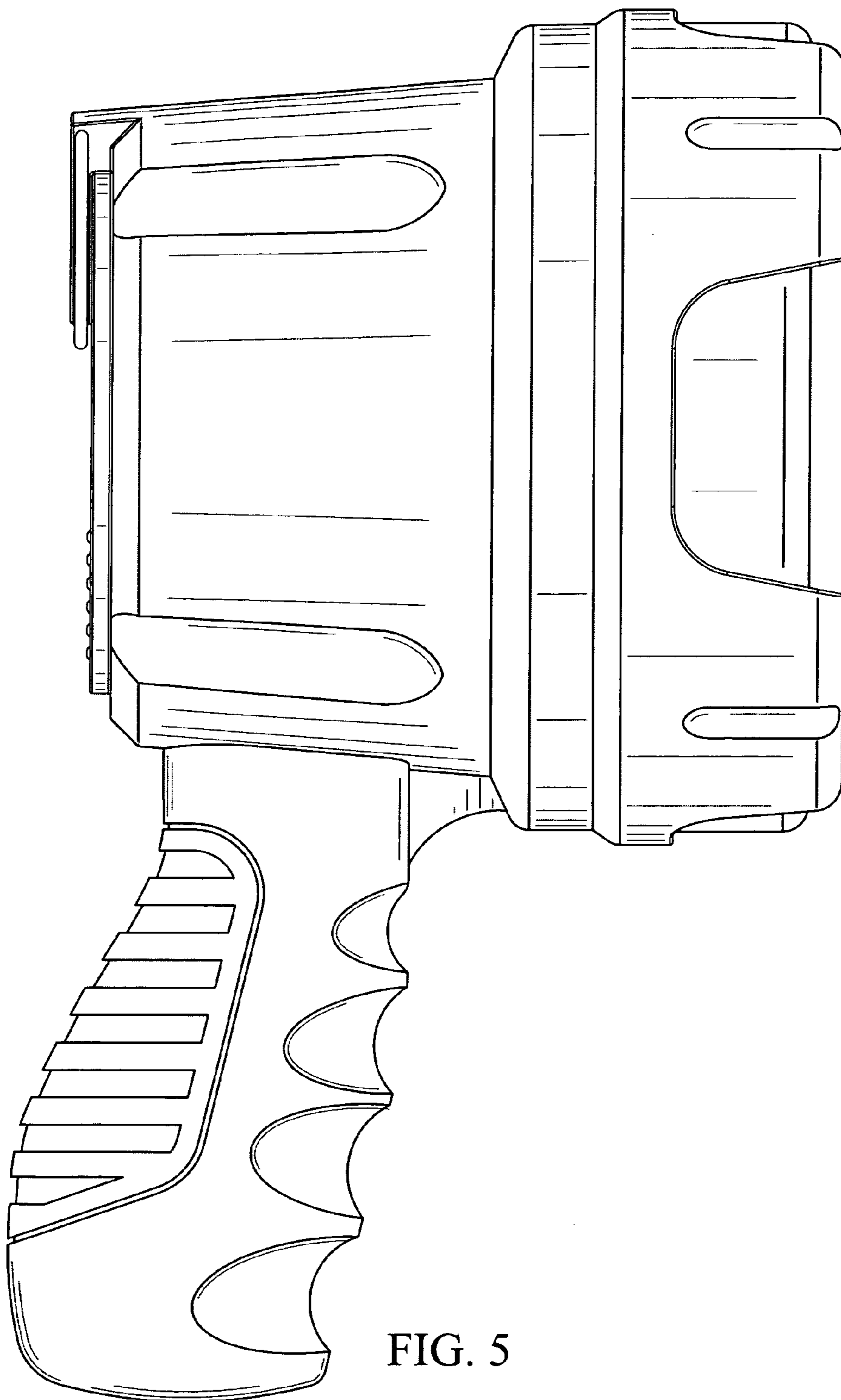


FIG. 5

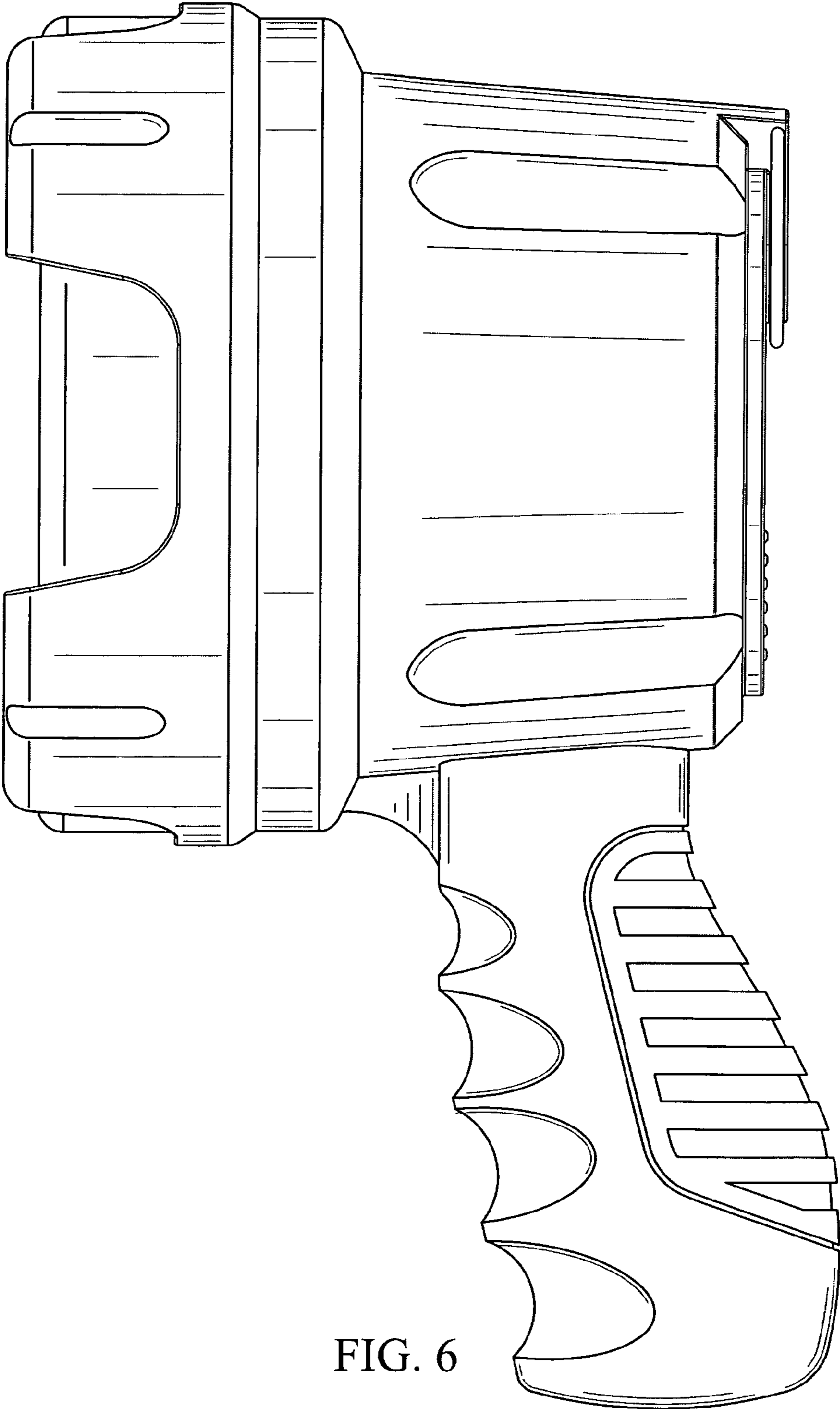


FIG. 6

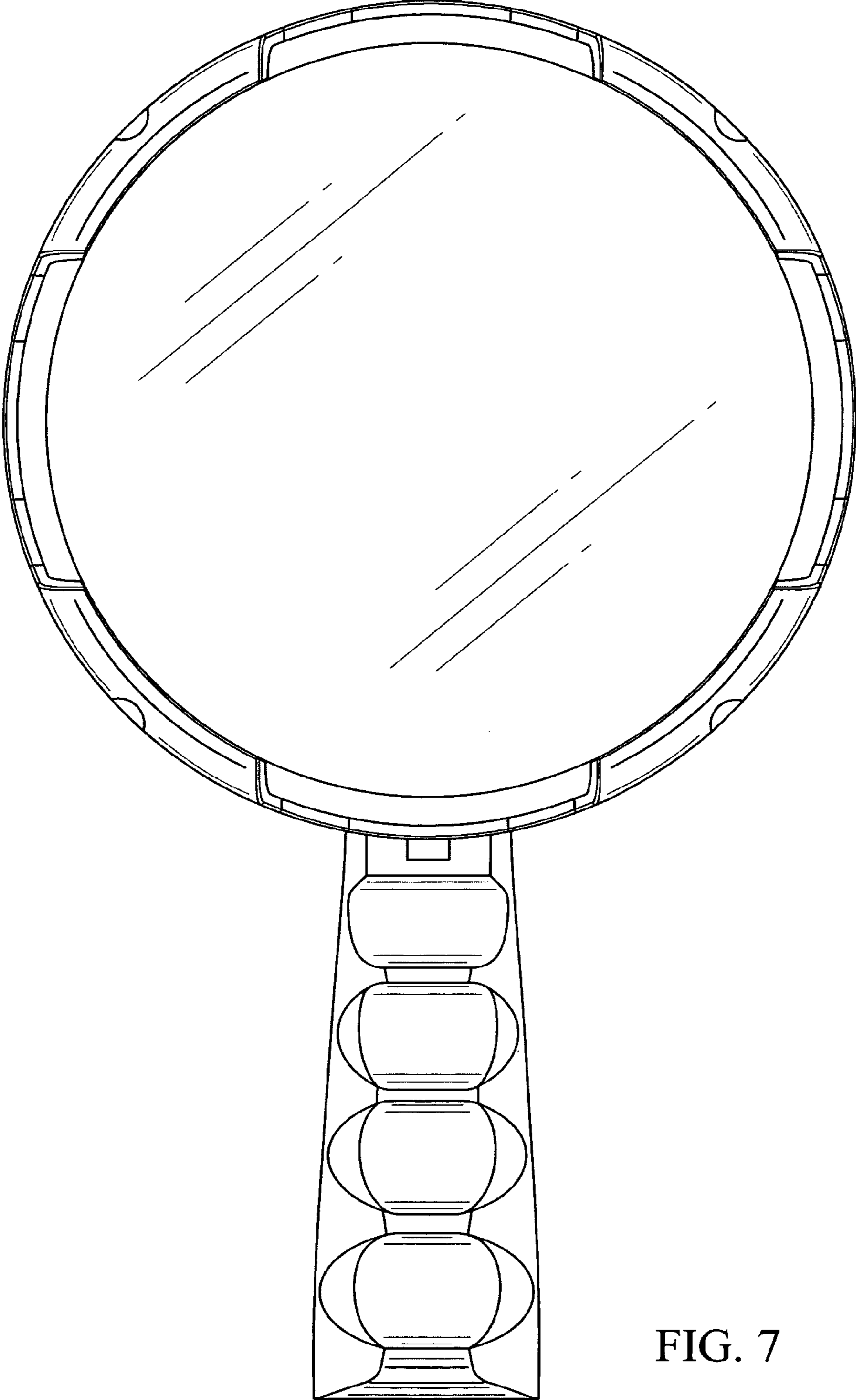


FIG. 7

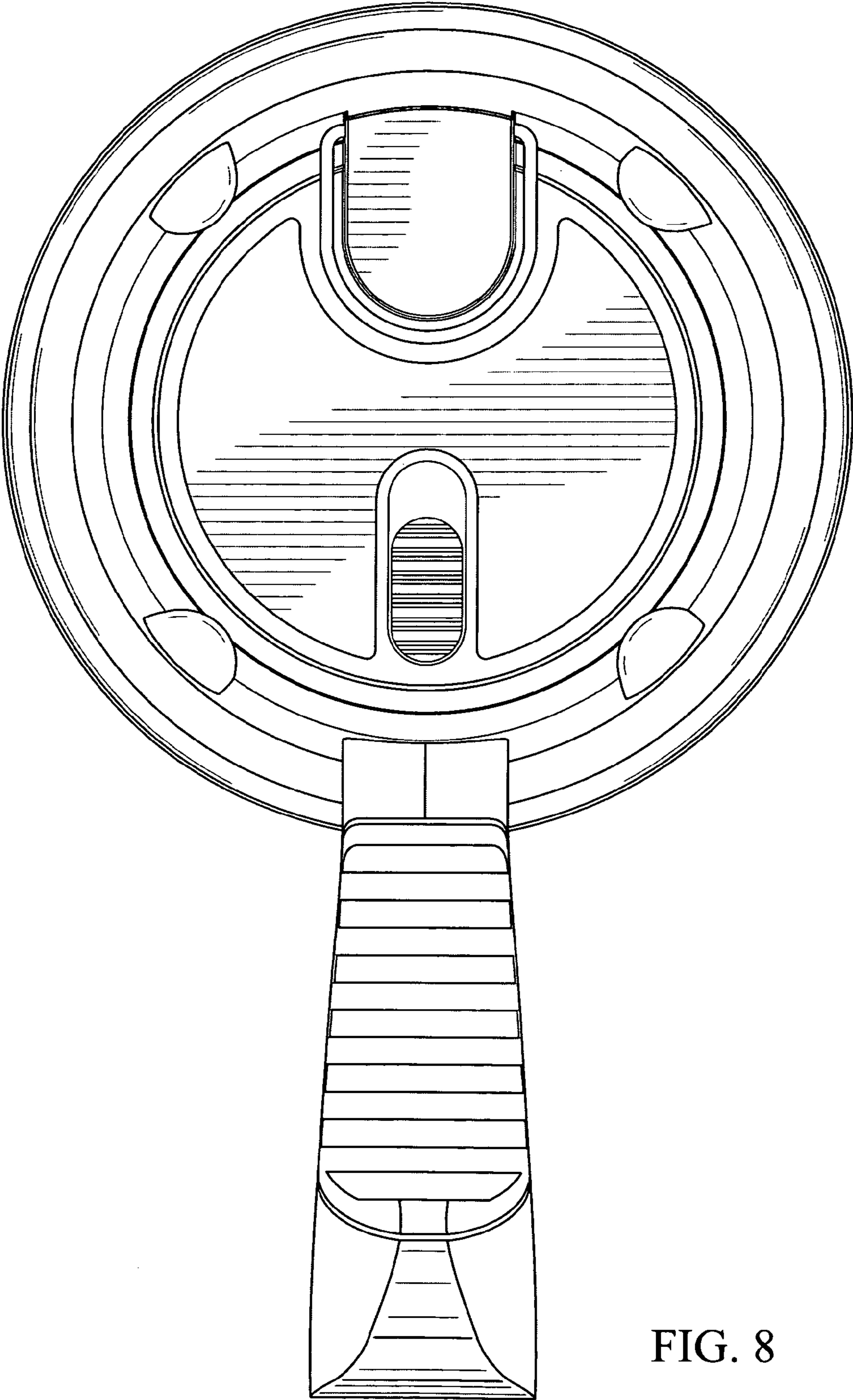


FIG. 8