



US00D658794S

(12) **United States Design Patent**
Wang

(10) **Patent No.:** **US D658,794 S**

(45) **Date of Patent:** **** May 1, 2012**

(54) **MULTI-FUNCTIONAL FLASH LIGHT**

(75) **Inventor:** **Xiaojun Wang**, Shenzhen (CN)

(73) **Assignee:** **Double Power (Shenzhen) Electronics Co., Ltd.**, Shenzhen (CN)

(**) **Term:** **14 Years**

(21) **Appl. No.:** **29/383,448**

(22) **Filed:** **Jan. 18, 2011**

(51) **LOC (9) Cl.** **26-02**

(52) **U.S. Cl.** **D26/38**

(58) **Field of Classification Search** D26/37,
D26/38, 39, 46, 49, 51; 362/157, 158, 183,
362/184, 194-208

See application file for complete search history.

(56) **References Cited**

U.S. PATENT DOCUMENTS

| | | | | |
|--------------|---------|-----------------|-------|--------|
| D465,045 S * | 10/2002 | Yamamoto et al. | | D26/49 |
| D497,445 S * | 10/2004 | Chan | | D26/37 |
| D510,637 S * | 10/2005 | Chan | | D26/49 |
| D515,720 S * | 2/2006 | Kim | | D26/38 |
| D521,666 S * | 5/2006 | Chean | | D26/37 |
| D564,684 S * | 3/2008 | Leung et al. | | D26/37 |
| D565,213 S * | 3/2008 | Chan | | D26/37 |
| D565,770 S * | 4/2008 | Shiu | | D26/49 |
| D570,020 S * | 5/2008 | Jen | | D26/38 |
| D577,450 S * | 9/2008 | Shiu | | D26/49 |
| D578,687 S * | 10/2008 | Hong | | D26/37 |
| D583,973 S * | 12/2008 | Shiu | | D26/49 |

| | | | | |
|--------------|---------|-----------------|-------|--------|
| D590,970 S * | 4/2009 | Kornfeld et al. | | D26/37 |
| D593,241 S * | 5/2009 | Wiesmeth et al. | | D26/49 |
| D629,940 S * | 12/2010 | Osterhout | | D26/49 |
| D643,561 S * | 8/2011 | Maglica | | D26/49 |

* cited by examiner

Primary Examiner — Ian Simmons

Assistant Examiner — Carissa C Fitts

(74) *Attorney, Agent, or Firm* — Hamre, Schumann, Mueller & Larson, P.C.

(57) **CLAIM**

The ornamental design for a multi-functional flash light, as shown.

DESCRIPTION

FIG. 1 is a front view of the multi-functional flash light of the invention;

FIG. 2 is a back view of the multi-functional flash light depicted in FIG. 1;

FIG. 3 is a left side view of the multi-functional flash light depicted in FIG. 1;

FIG. 4 is a right side view of the multi-functional flash light depicted in FIG. 1;

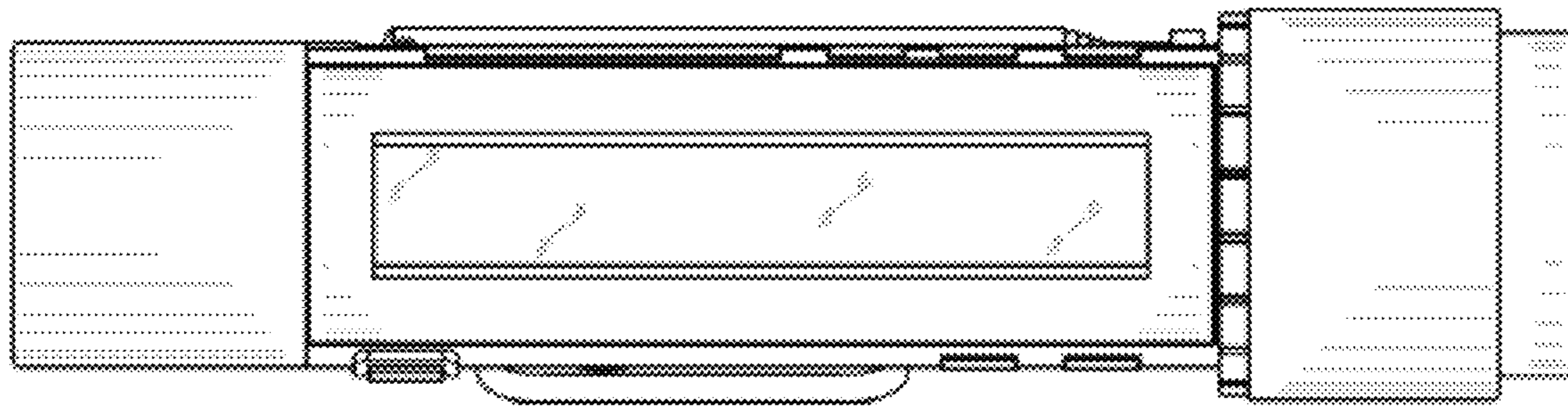
FIG. 5 is a top view of the multi-functional flash light depicted in FIG. 1;

FIG. 6 is a bottom view of the multi-functional flash light depicted in FIG. 1; and,

FIG. 7 is a perspective view of the multi-functional flash light depicted in FIG. 1.

The broken lines form no part of the claimed design.

1 Claim, 2 Drawing Sheets



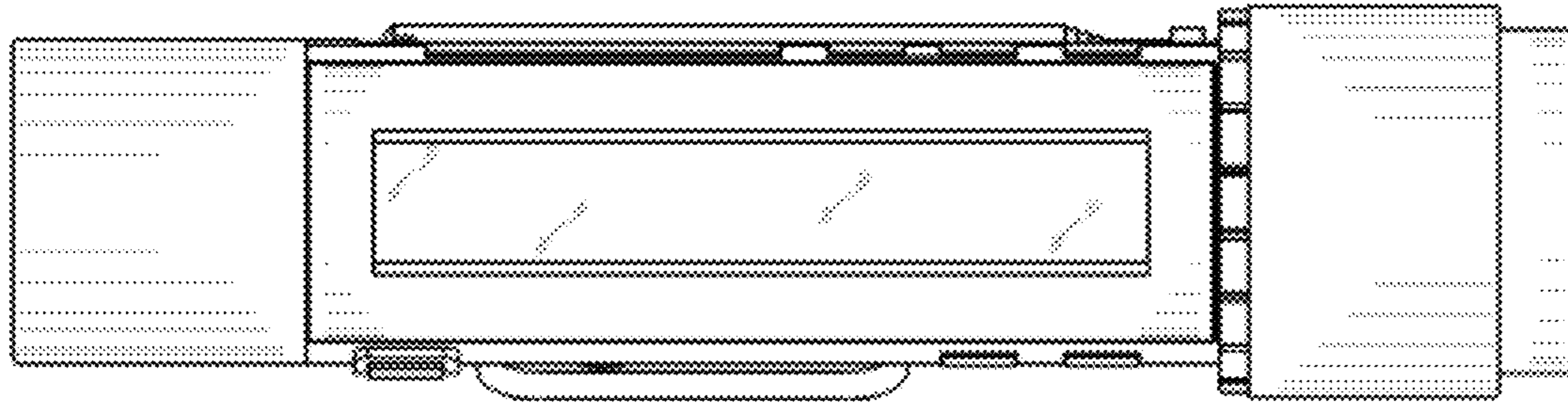


FIG. 1

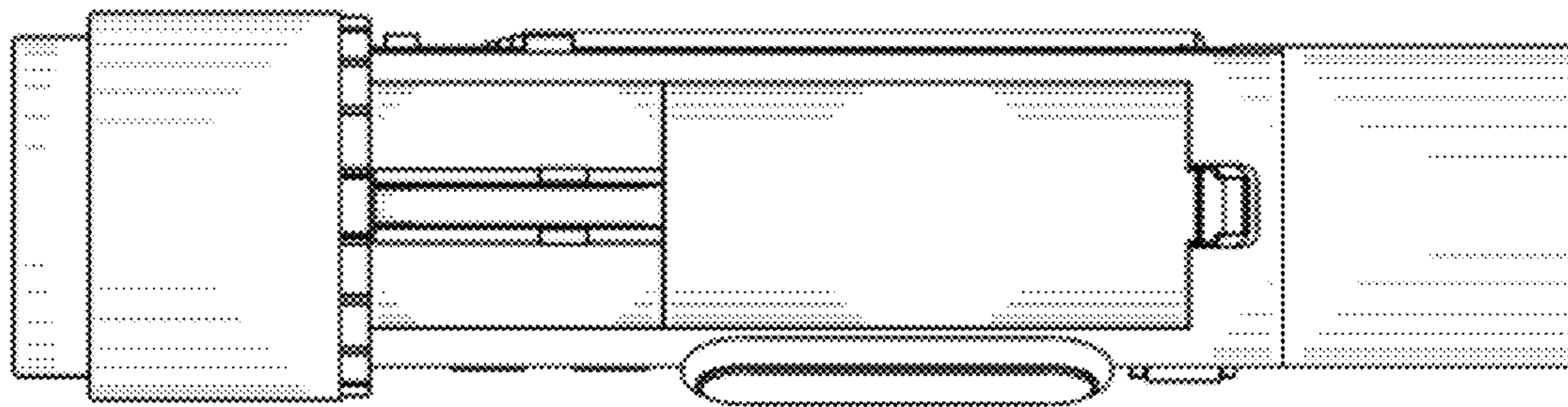


FIG. 2

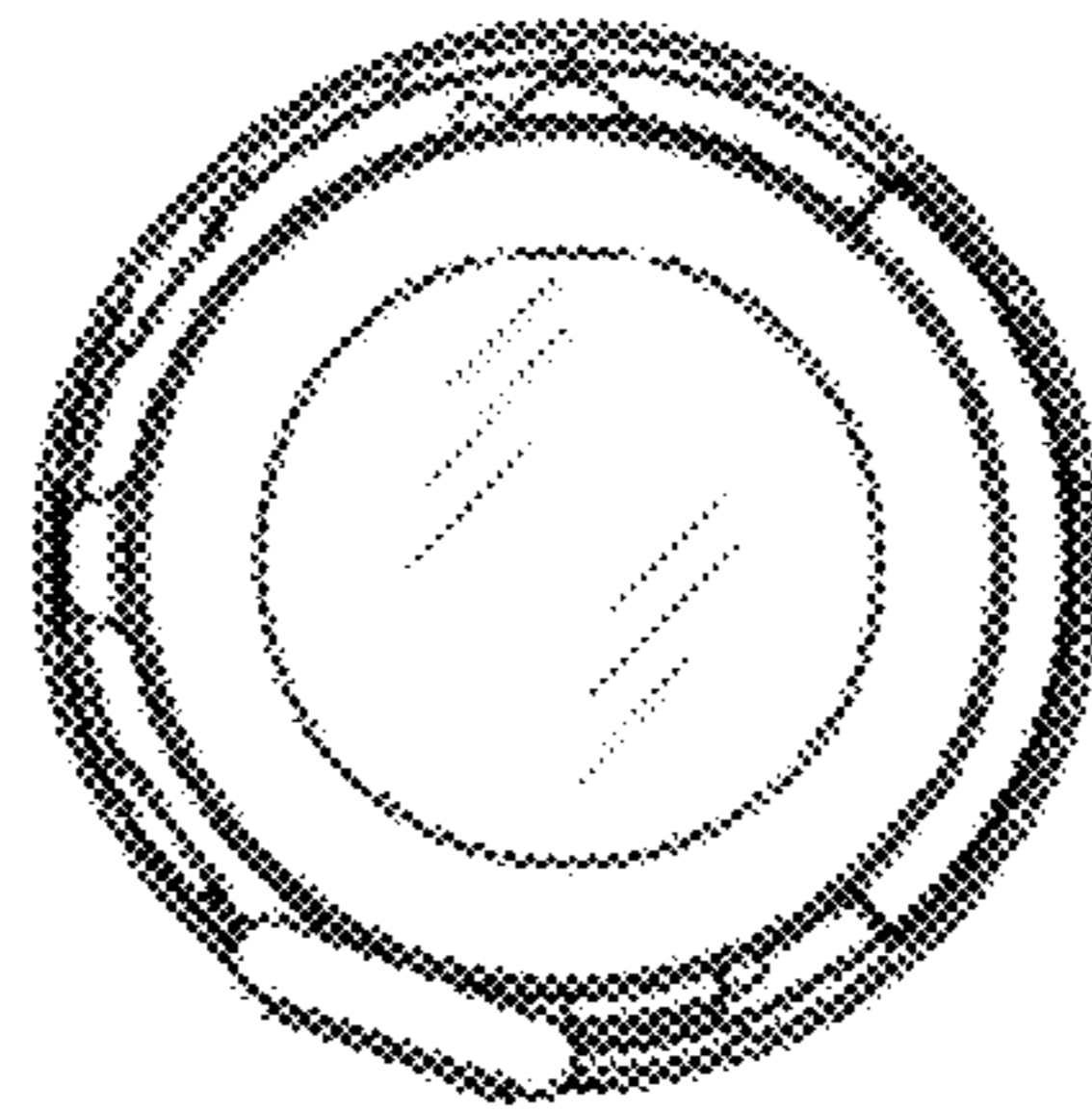


FIG. 3

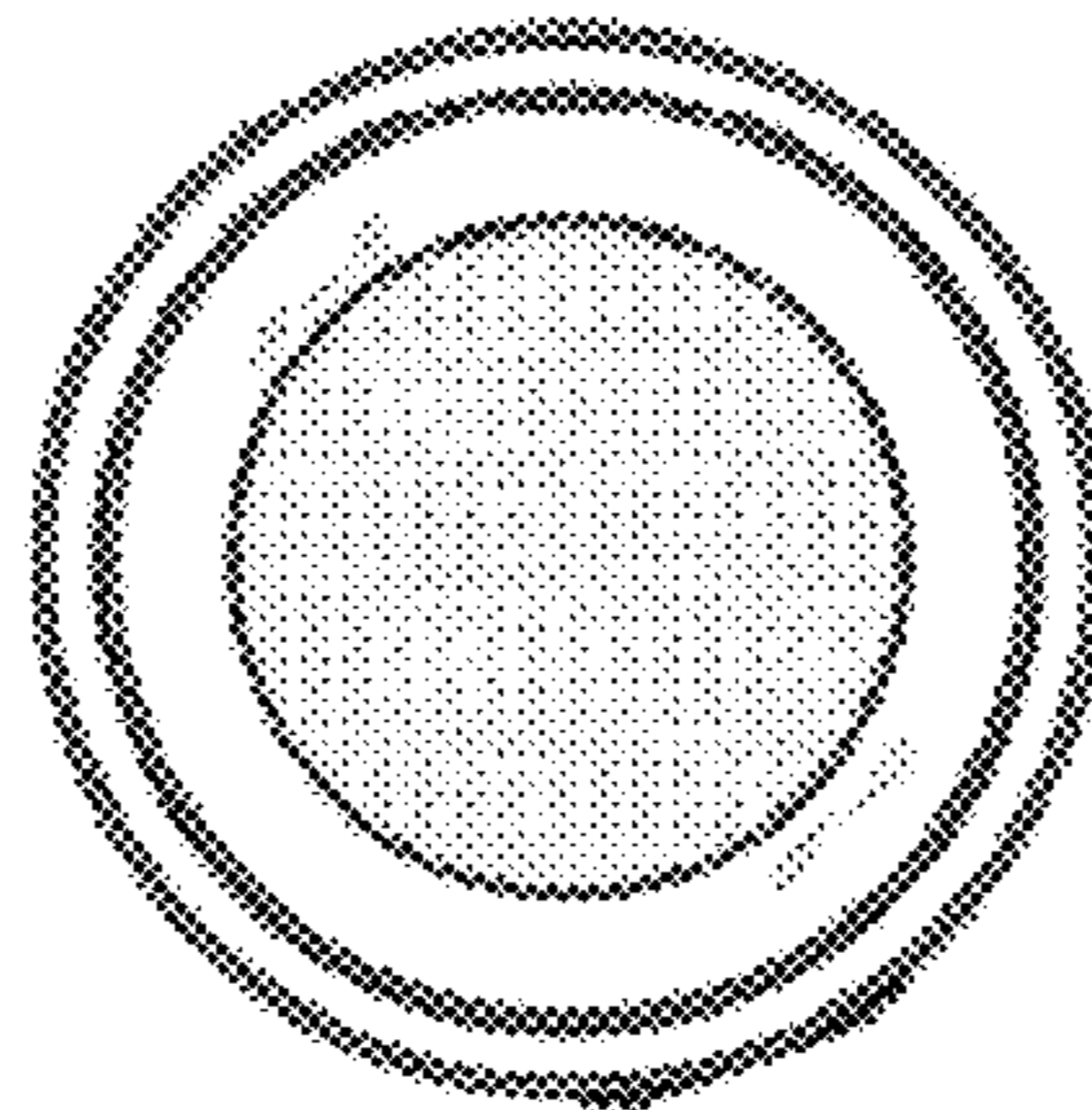


FIG. 4

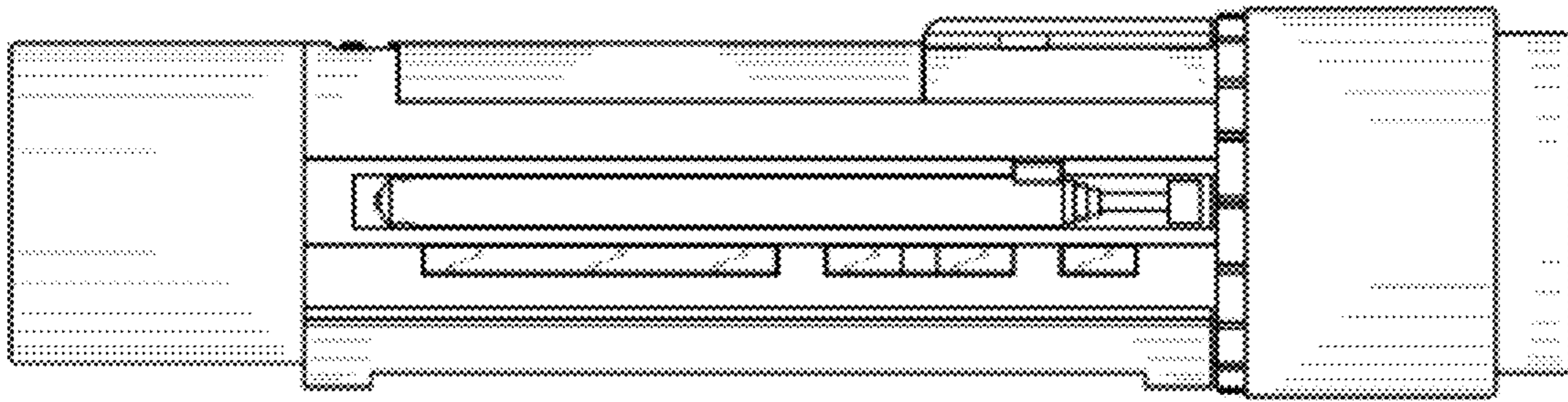


FIG. 5

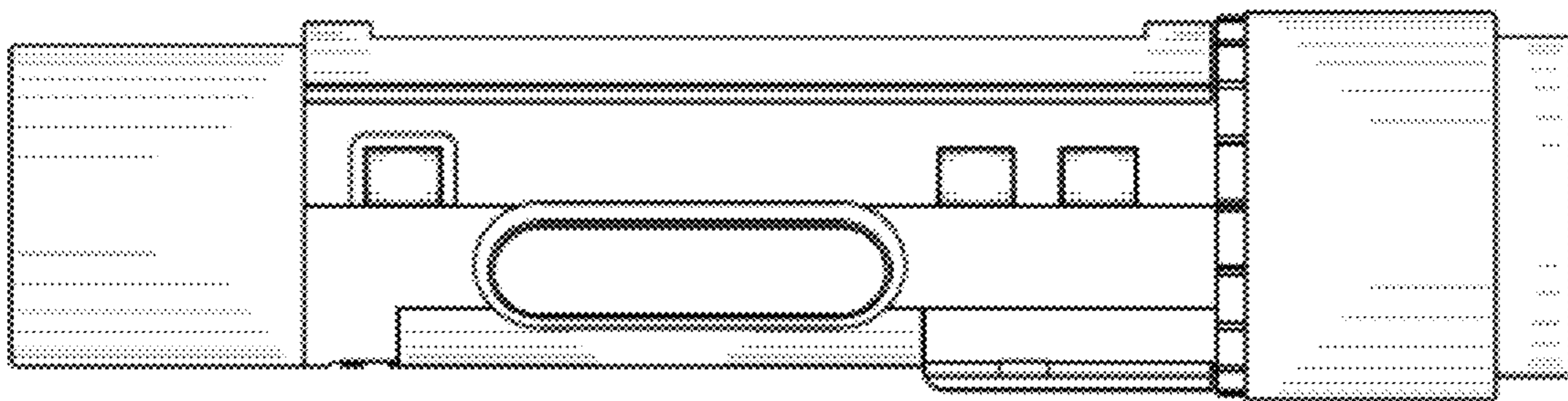


FIG. 6

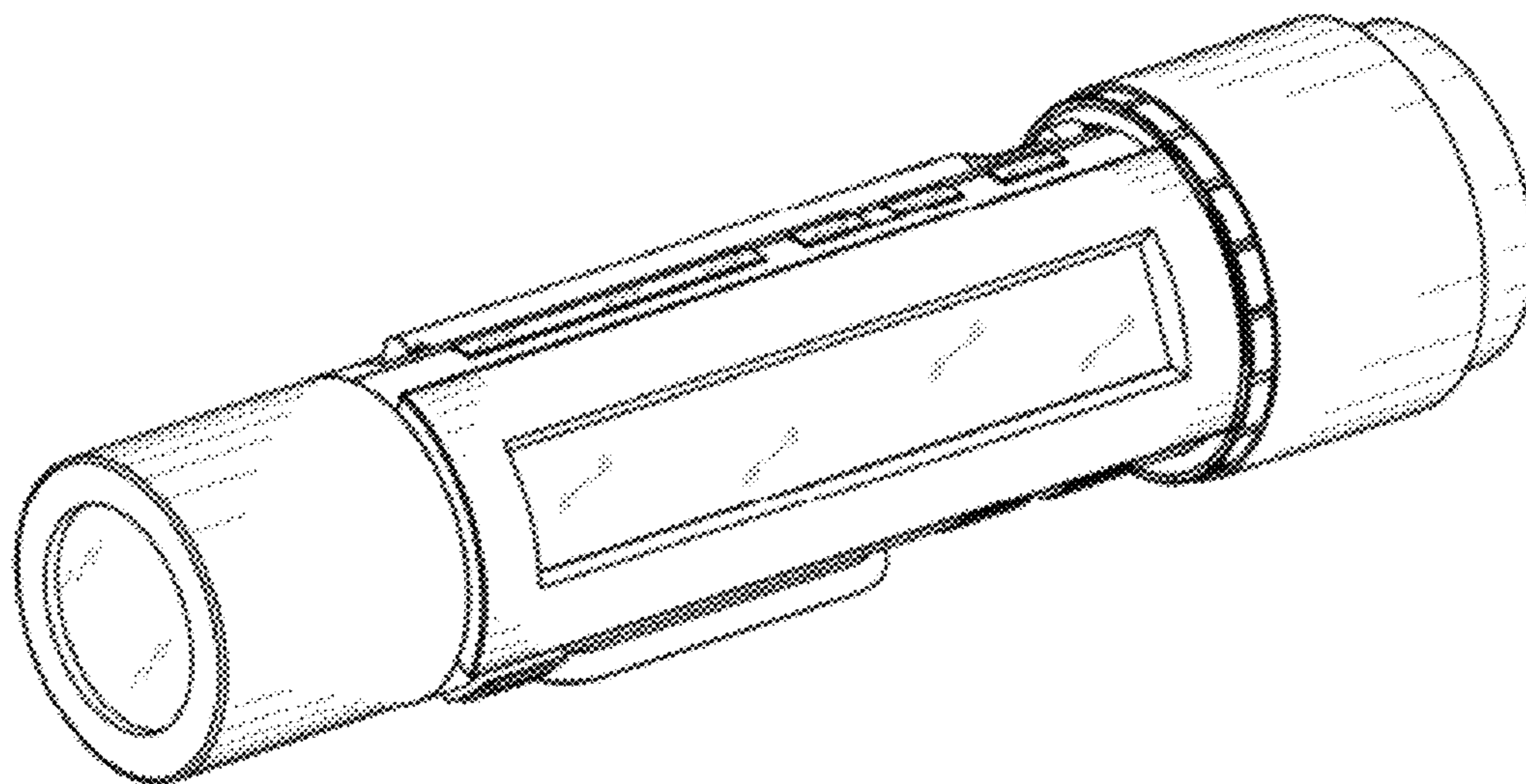


FIG. 7