



US00D658788S

(12) **United States Design Patent**
Dudik et al.

(10) **Patent No.:** **US D658,788 S**
(45) **Date of Patent:** **** May 1, 2012**

(54) **LIGHT EMITTING DIODE (LED)-BASED LIGHT BULB**

(75) Inventors: **David C. Dudik**, South Euclid, OH (US); **Gary R. Allen**, Chesterland, OH (US); **Charles L. Huddleston, II**, Cleveland, OH (US); **Joshua I. Rintamaki**, Westlake, OH (US); **Glenn H. Kuenzler**, Beachwood, OH (US); **James Reginelli**, Parma, OH (US)

(73) Assignee: **GE Lighting Solutions LLC**, Cleveland, OH (US)

(**) Term: **14 Years**

(21) Appl. No.: **29/359,239**

(22) Filed: **Apr. 7, 2010**

Related U.S. Application Data

(63) Continuation-in-part of application No. 12/572,480, filed on Oct. 2, 2009.

(51) **LOC (9) Cl.** **26-04**

(52) **U.S. Cl.** **D26/2**

(58) **Field of Classification Search** D26/1-4;
313/313, 315, 316, 317, 318, 493; 315/52,
315/53, 56, 57, 58

See application file for complete search history.

(56) **References Cited**

U.S. PATENT DOCUMENTS

6,227,679 B1 5/2001 Zhang et al.
6,305,821 B1 10/2001 Hsieh et al.
D508,575 S * 8/2005 Buschmann et al. D26/2
7,086,756 B2 8/2006 Maxik
D528,227 S * 9/2006 Chou et al. D26/2
D531,741 S * 11/2006 Takahashi D26/2

D534,665 S * 1/2007 Egawa et al. D26/2
D538,950 S 3/2007 Maxik
D538,951 S 3/2007 Maxik
D538,953 S * 3/2007 Mama D26/2
D541,440 S * 4/2007 Feit D26/2
D553,267 S * 10/2007 Yuen D26/2
D590,523 S * 4/2009 Takahashi D26/2
D615,220 S * 5/2010 Crane et al. D26/2
2004/0228131 A1 11/2004 Minano et al.

(Continued)

FOREIGN PATENT DOCUMENTS

DE 10 2007 03782 2/2009

(Continued)

OTHER PUBLICATIONS

US Department of Energy, "Bright Tomorrow Lighting Competition," Revision 1, at <http://www.lightingprize.org/pdfs/LPrize-Revision1.pdf>, Jun. 26, 2009.

(Continued)

Primary Examiner — Marcus Jackson

(74) *Attorney, Agent, or Firm* — Fay Sharpe LLP

(57) **CLAIM**

The ornamental design for a light emitting diode (LED)-based light bulb, as shown and described.

DESCRIPTION

FIG. 1 is a perspective view of a light emitting diode (LED)-based light bulb;

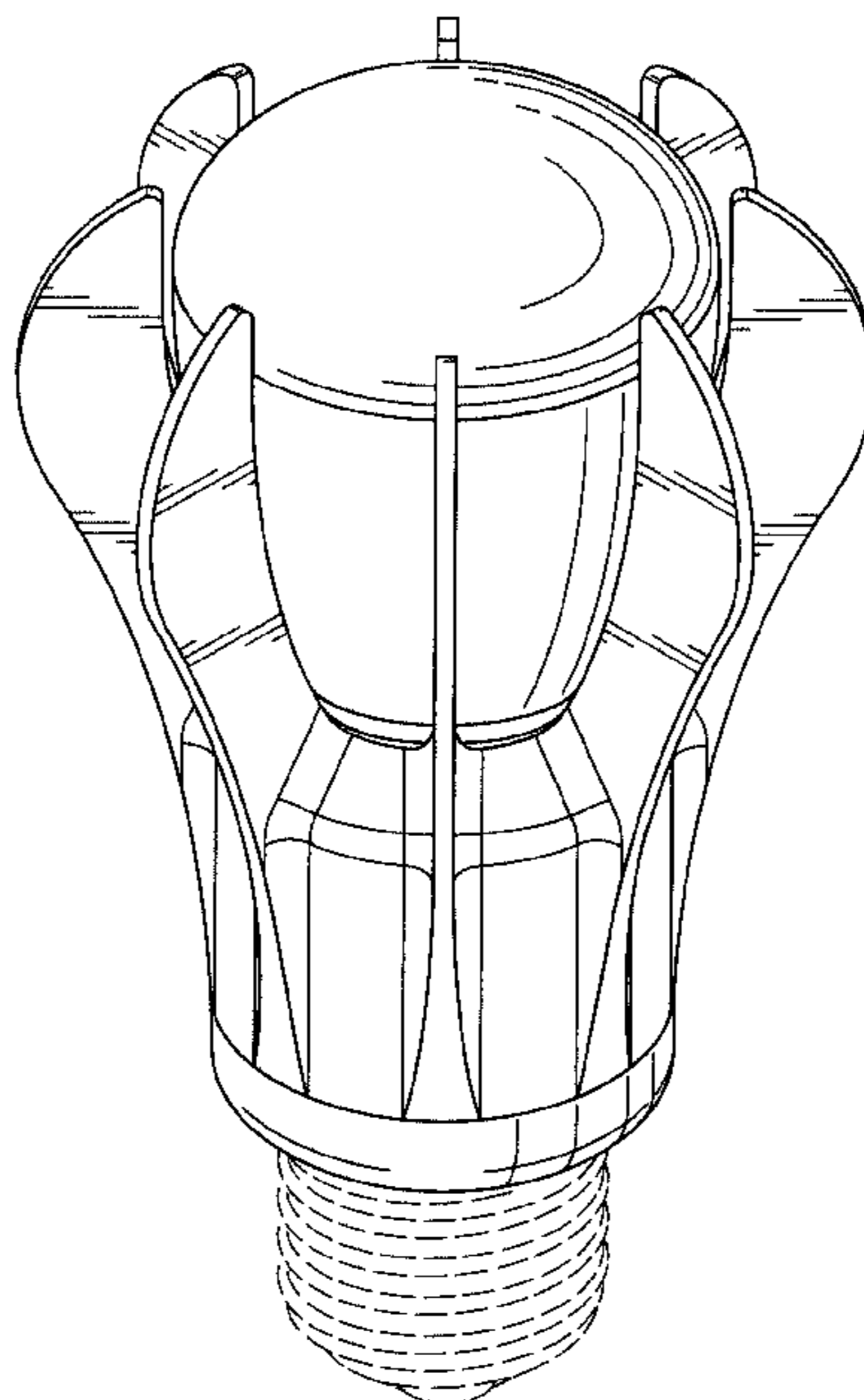
FIG. 2 is a side plan view of the design of FIG. 1;

FIG. 3 is a top plan view of the design of FIG. 1; and,

FIG. 4 is a bottom plan view of the design of FIG. 1.

Any broken line illustrations in the drawings are not part of the design sought to be patented.

1 Claim, 4 Drawing Sheets



U.S. PATENT DOCUMENTS

2005/0116597 A1 6/2005 Hsu
2005/0127543 A1 6/2005 Ricking et al.
2005/0174769 A1 8/2005 Yong et al.
2006/0005947 A1 1/2006 Arik et al.
2006/0034077 A1 2/2006 Chang
2006/0092640 A1 5/2006 Li
2007/0236912 A1 10/2007 Porchia et al.
2007/0267976 A1 11/2007 Bohler et al.
2008/0080166 A1 4/2008 Duong
2008/0278955 A1 11/2008 Boyer
2009/0129102 A1 5/2009 Xiao et al.
2009/0135595 A1 5/2009 Chen
2009/0174302 A1 7/2009 Davey et al.
2009/0195186 A1 8/2009 Guest et al.

FOREIGN PATENT DOCUMENTS

GB 2366610 3/2002
JP 2004-186109 A2 7/2004
WO WO 2007/130357 11/2007
WO WO 2009/128004 10/2009

OTHER PUBLICATIONS

US Department of Energy, "Energy Star Program Requirements for Integral LED Lamps," Draft 2, at www.energystar.gov/.../integral_leds/Draft_2_Energy_Star_LED_Integral_Lamp_Specification.pdf, May 19, 2009.

US Department of Energy, "Energy Star Program Requirements for Integral LED Lamps, Eligibility Criteria," Third Draft, Sep. 18, 2009.
CAO Group, Inc., "Dynasty Light Redefined," Onesolution, at [http://www.caogroup.com/\(S\(1b510f45dojgv045obhfxguh\)\)/PDF/OPTO/Dynasty_S14_Brochure.pdf](http://www.caogroup.com/(S(1b510f45dojgv045obhfxguh))/PDF/OPTO/Dynasty_S14_Brochure.pdf), Sep. 25, 2008.

Osram, "OSRAM LEDs: give your home a bright new look.", at http://www.olafsson.is/resources/Files/Olafsson_is/OSRAM-pdf/led_baeklingur.pdf, last visited Dec. 16, 2009.

International Search Report from PCT/US2010/051043.

* cited by examiner

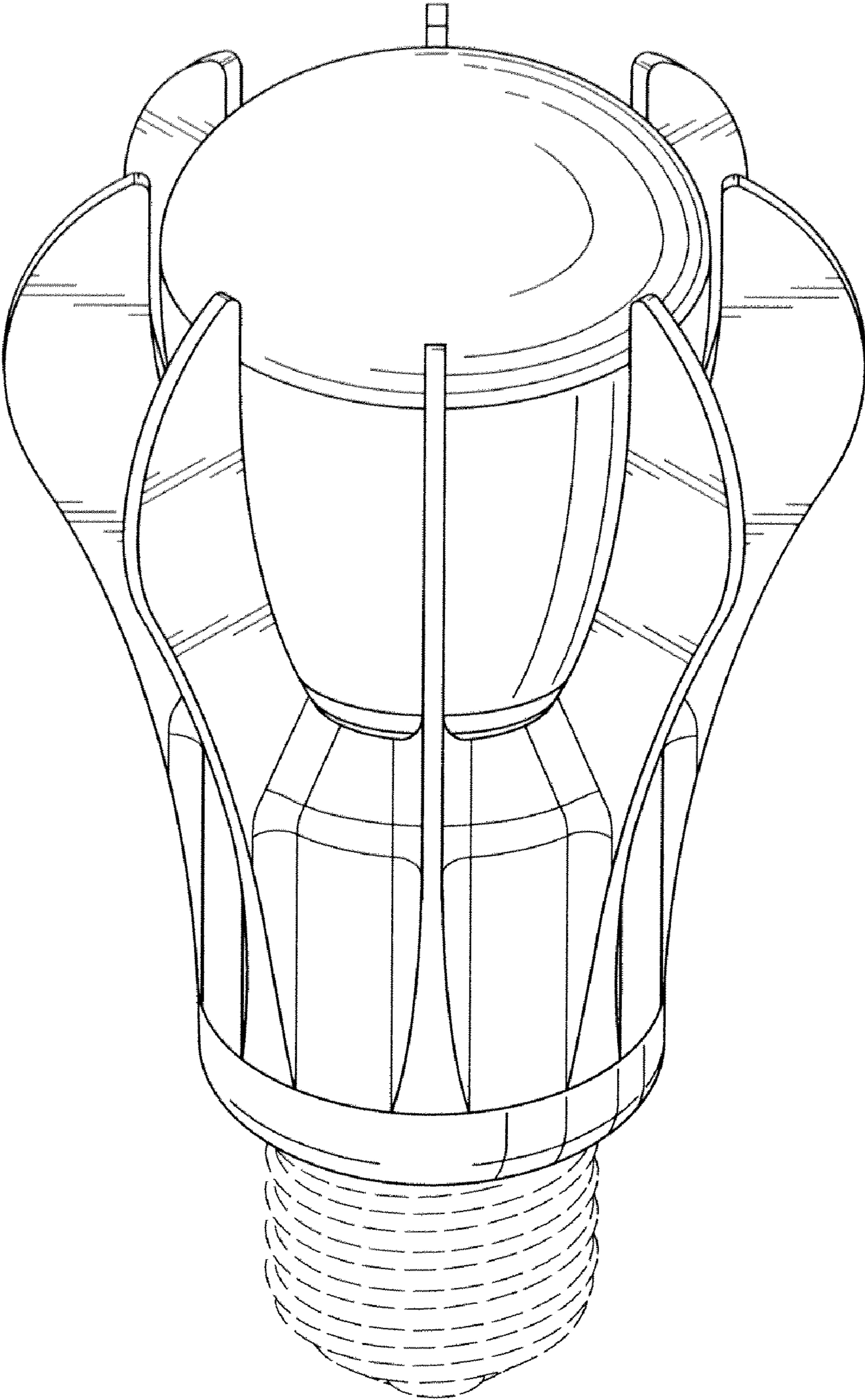


FIG. 1

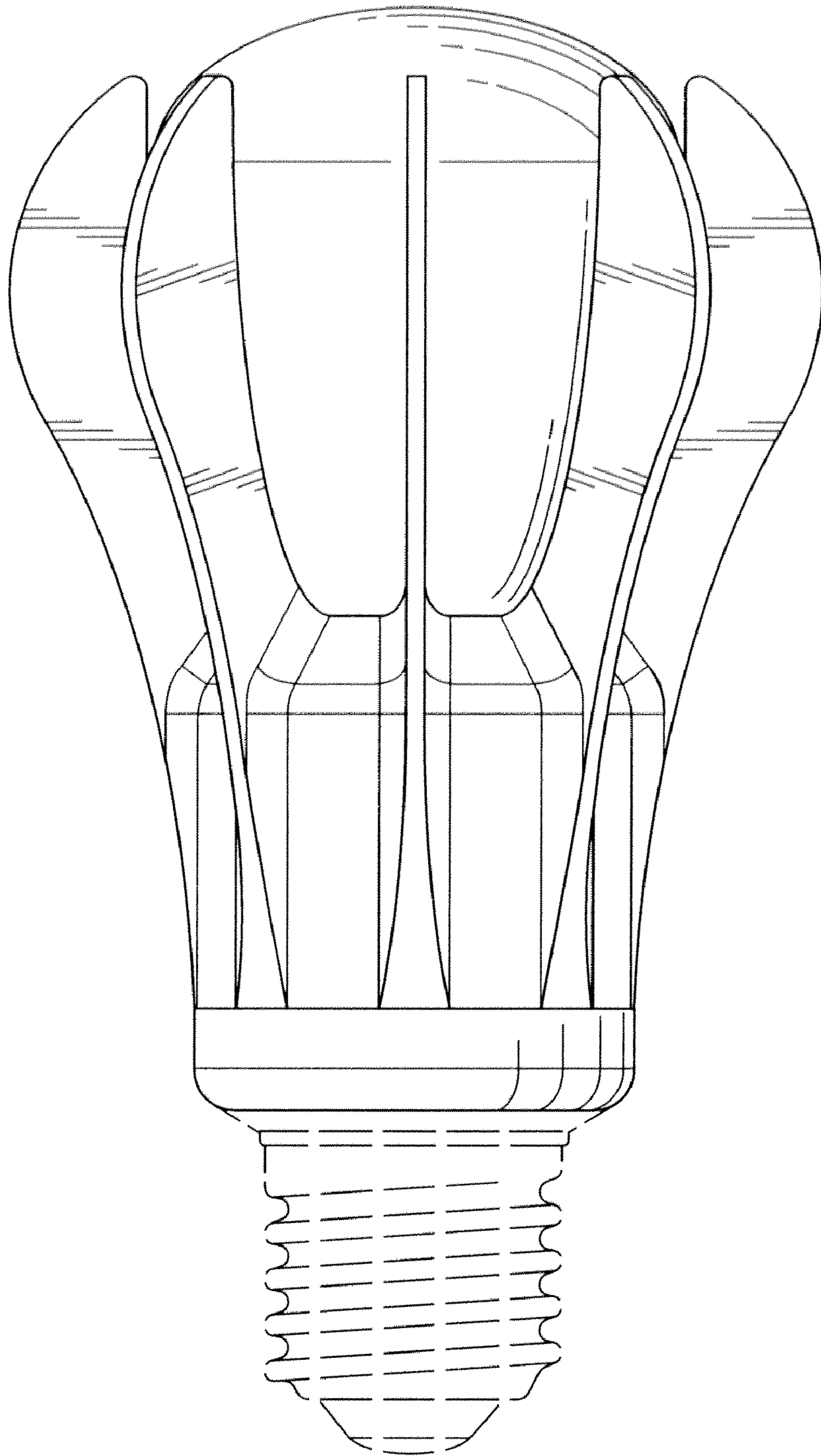


FIG. 2

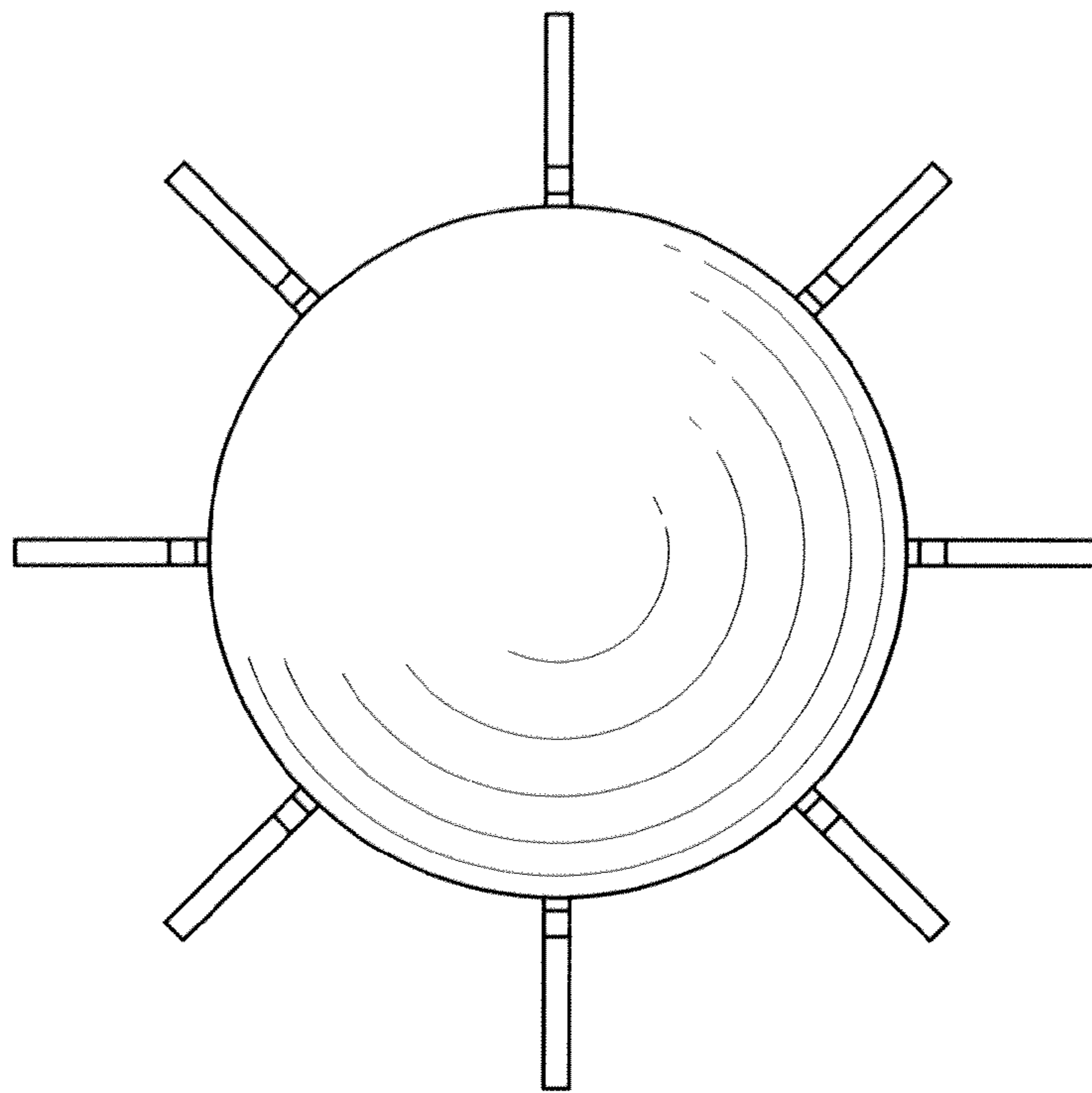


FIG. 3

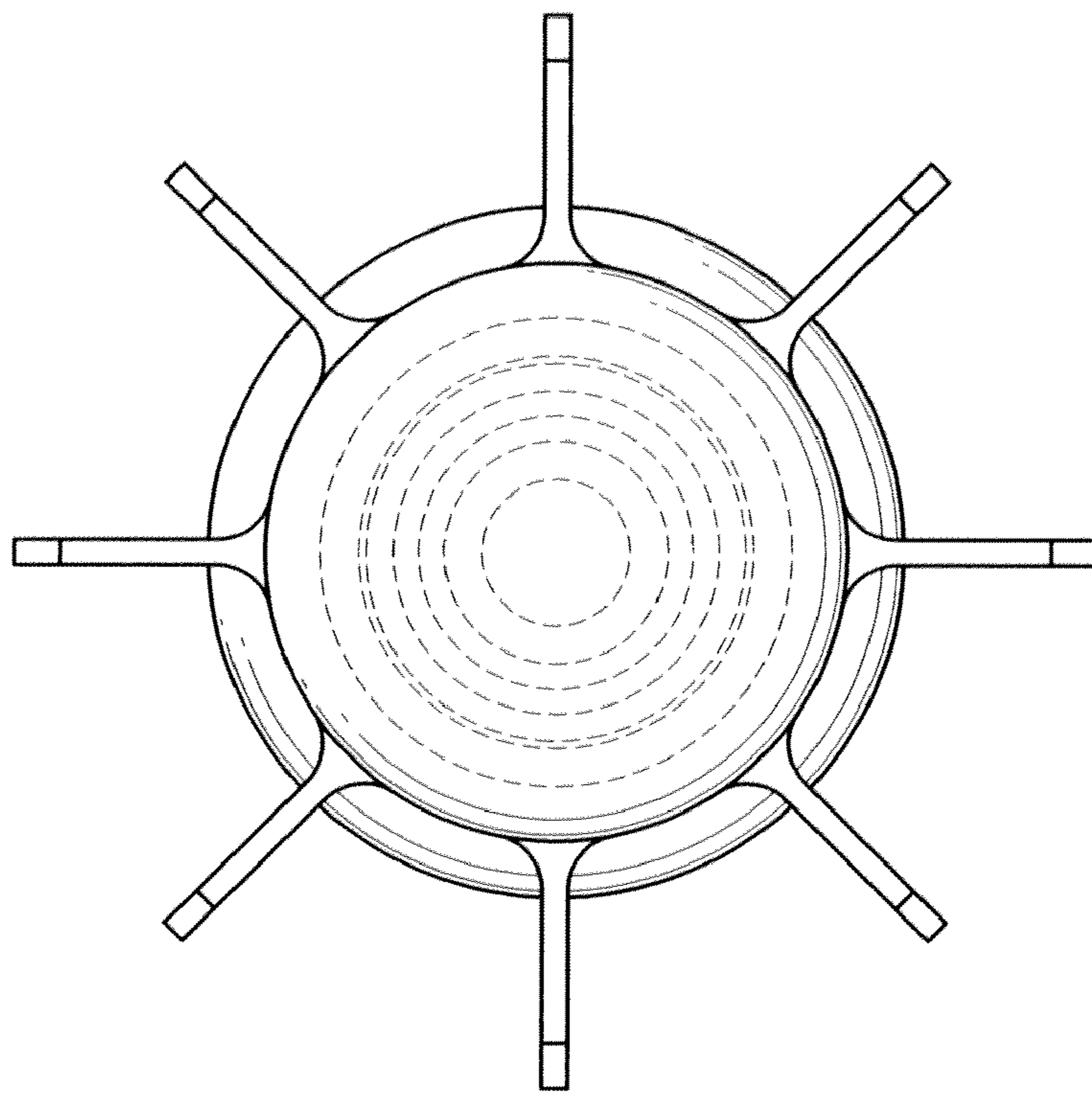


FIG. 4