



US00D658782S

(12) **United States Design Patent**
Norris

(10) **Patent No.:** **US D658,782 S**
(45) **Date of Patent:** **** May 1, 2012**

(54) **FOLDABLE WALKWAY**

- (75) Inventor: **Thomas L. Norris**, Ft. Scott, KS (US)
- (73) Assignee: **Cool By 10° LLC**, Greenfield, MO (US)
- (**) Term: **14 Years**
- (21) Appl. No.: **29/400,076**
- (22) Filed: **Aug. 23, 2011**
- (51) **LOC (9) Cl.** **25-04**
- (52) **U.S. Cl.** **D25/62**
- (58) **Field of Classification Search** D25/62;
404/35, 53
See application file for complete search history.

(56) **References Cited**

U.S. PATENT DOCUMENTS

- 4,376,596 A * 3/1983 Green 404/35
 - D443,699 S * 6/2001 Peters D25/62
 - 6,696,122 B1 * 2/2004 Deschamps 428/36.1
 - 2009/0087261 A1 * 4/2009 Fournier 404/35
- * cited by examiner

Primary Examiner — Doris Clark

(74) *Attorney, Agent, or Firm* — Martin & Associates, LLC;
Derek P. Martin

(57) **CLAIM**

The ornamental design for a foldable walkway, as shown and described.

DESCRIPTION

FIG. 1 is a perspective view of a foldable walkway in an extended position showing my new design, with the top diamond plate and oval anti-skid devices shown in phantom and forming no part of the design;

FIG. 2 is a top view of the foldable walkway in the extended position, with the top diamond plate and oval anti-skid devices shown in phantom and forming no part of the design; FIG. 3 is a bottom view of the foldable walkway in the extended position;

FIG. 4 is a front view of the foldable walkway in the extended position along the bottom of the view shown in FIG. 2;

FIG. 5 is a back view of the foldable walkway in the extended position along the bottom of the view shown in FIG. 3;

FIG. 6 is a left side view of the foldable walkway in the extended position along the left side of the view shown in FIG. 4;

FIG. 7 is a right side view of the foldable walkway in the extended position along the right side of the view shown in FIG. 4;

FIG. 8 is a perspective view of the foldable walkway in a folded position showing my new design, with the top diamond plate and oval anti-skid devices shown in phantom and forming no part of the design;

FIG. 9 is a top view of the foldable walkway in the folded position, with the top diamond plate and oval anti-skid devices shown in phantom and forming no part of the design;

FIG. 10 is a bottom view of the foldable walkway in the folded position, with the top diamond plate and oval anti-skid devices shown in phantom and forming no part of the design;

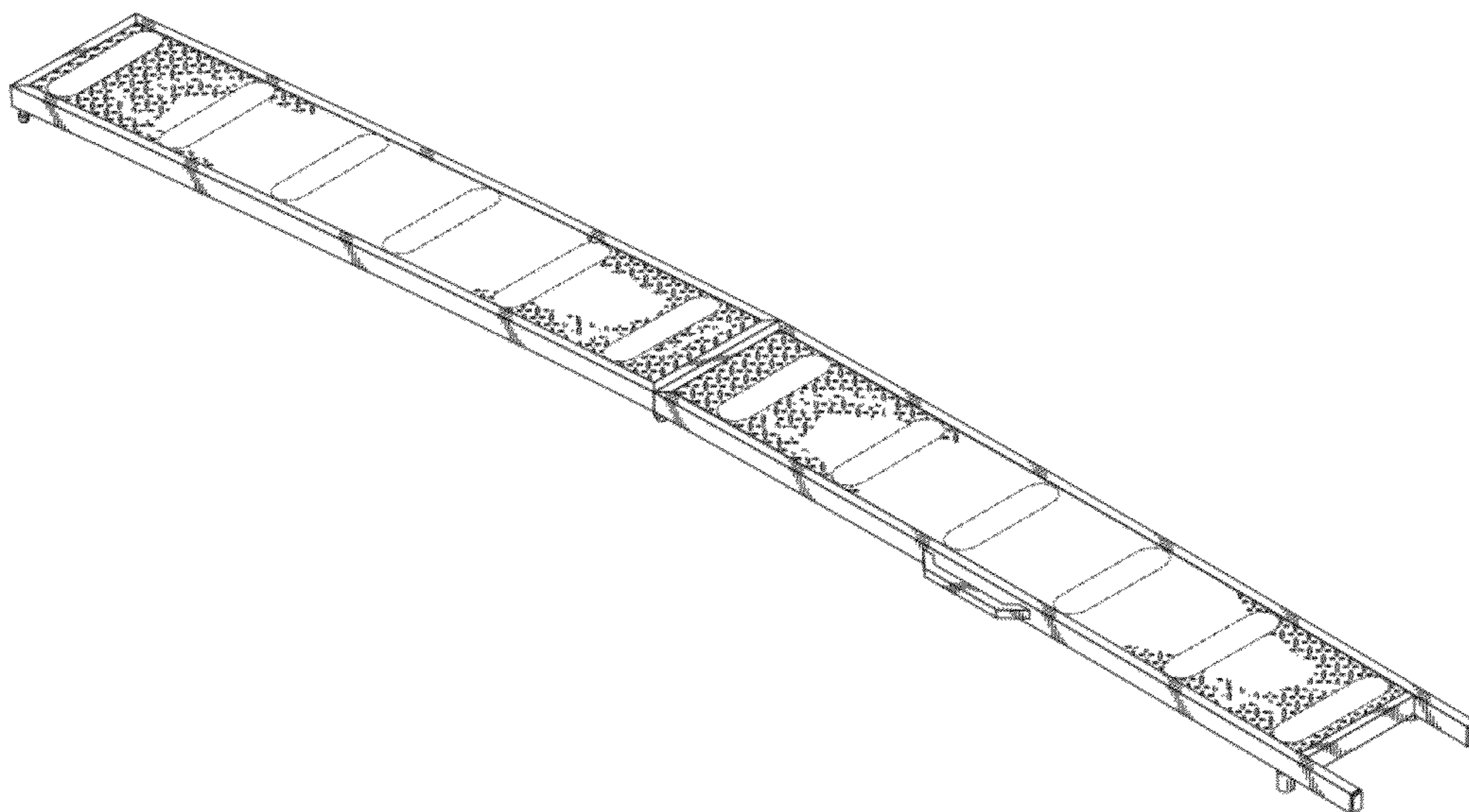
FIG. 11 is a front view of the foldable walkway in the folded position along the bottom of the view shown in FIG. 9;

FIG. 12 is a back view of the foldable walkway in the folded position along the bottom of the view shown in FIG. 10;

FIG. 13 is a left side view of the foldable walkway in the folded position along the left side of the view shown in FIG. 11; and,

FIG. 14 is a right side view of the foldable walkway in the folded position along the right side of the view shown in FIG. 11.

1 Claim, 6 Drawing Sheets



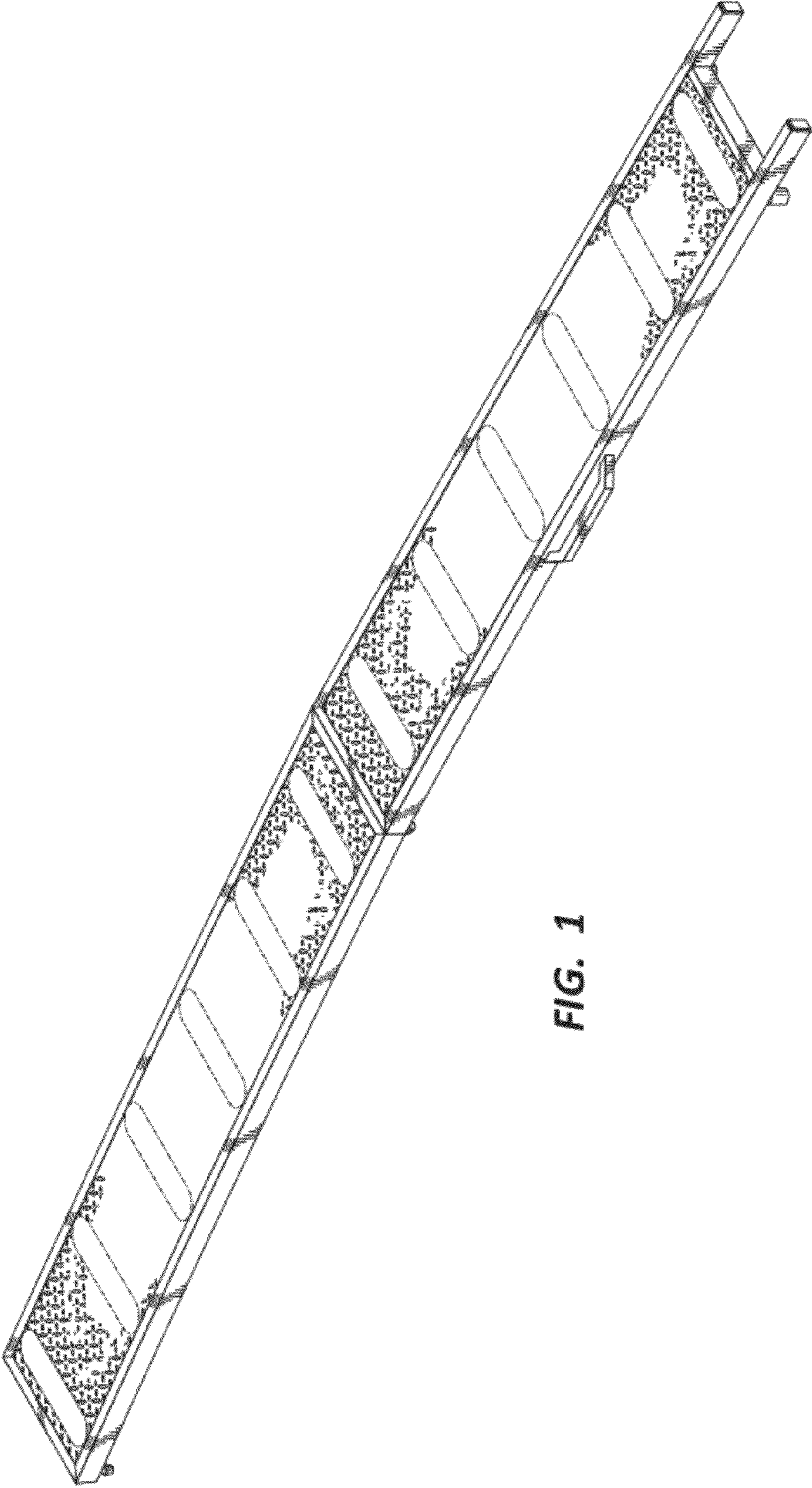


FIG. 1



FIG. 4

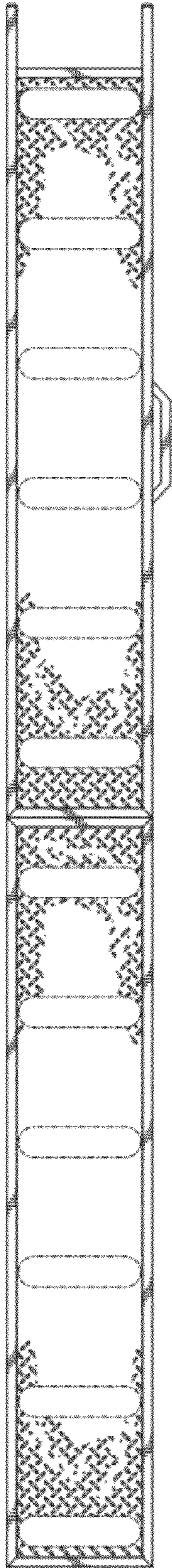


FIG. 2

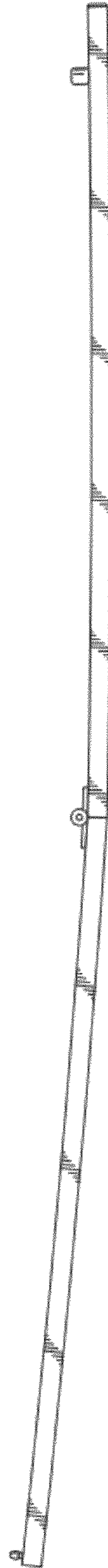


FIG. 5

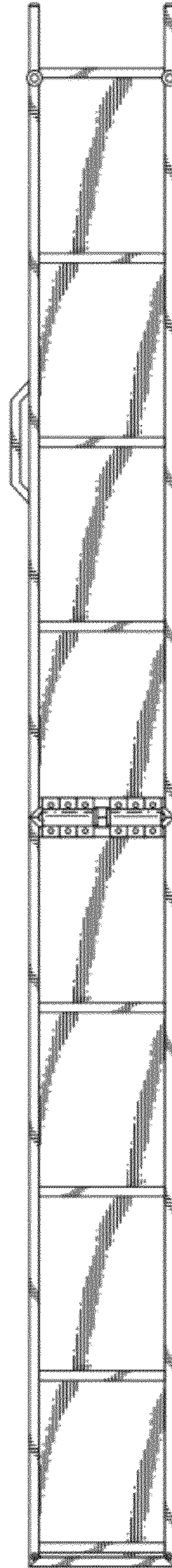


FIG. 3

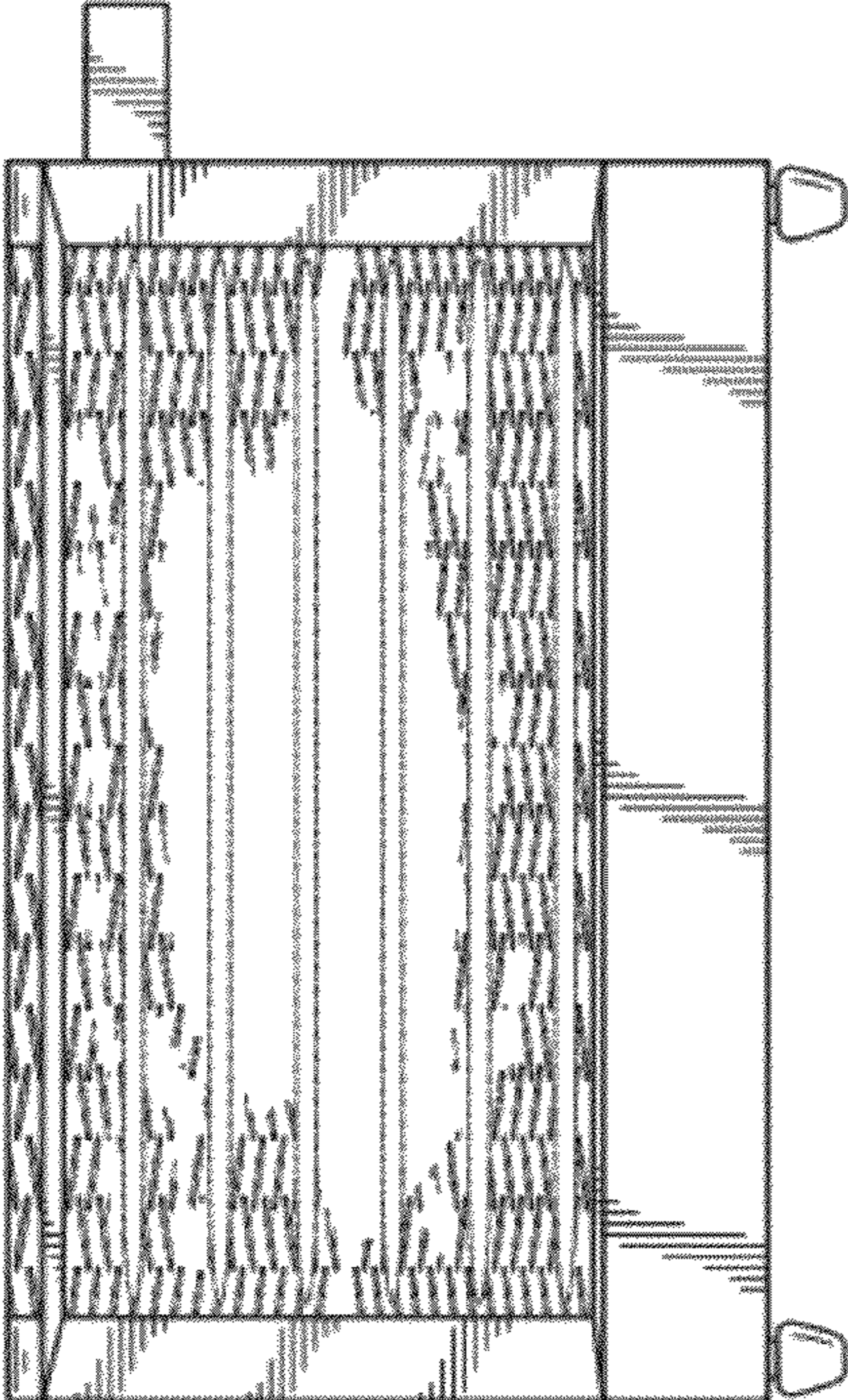


FIG. 6

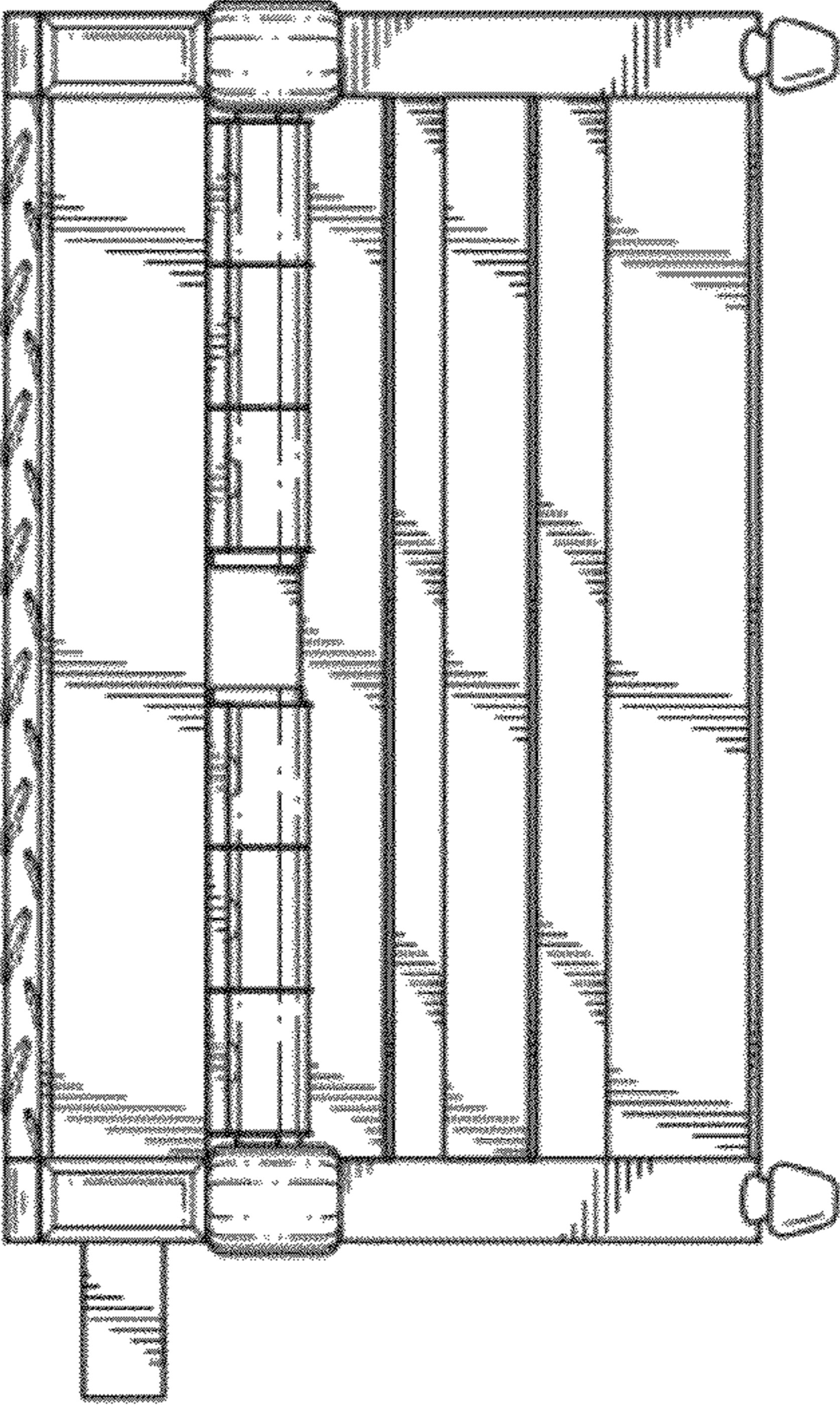


FIG. 7

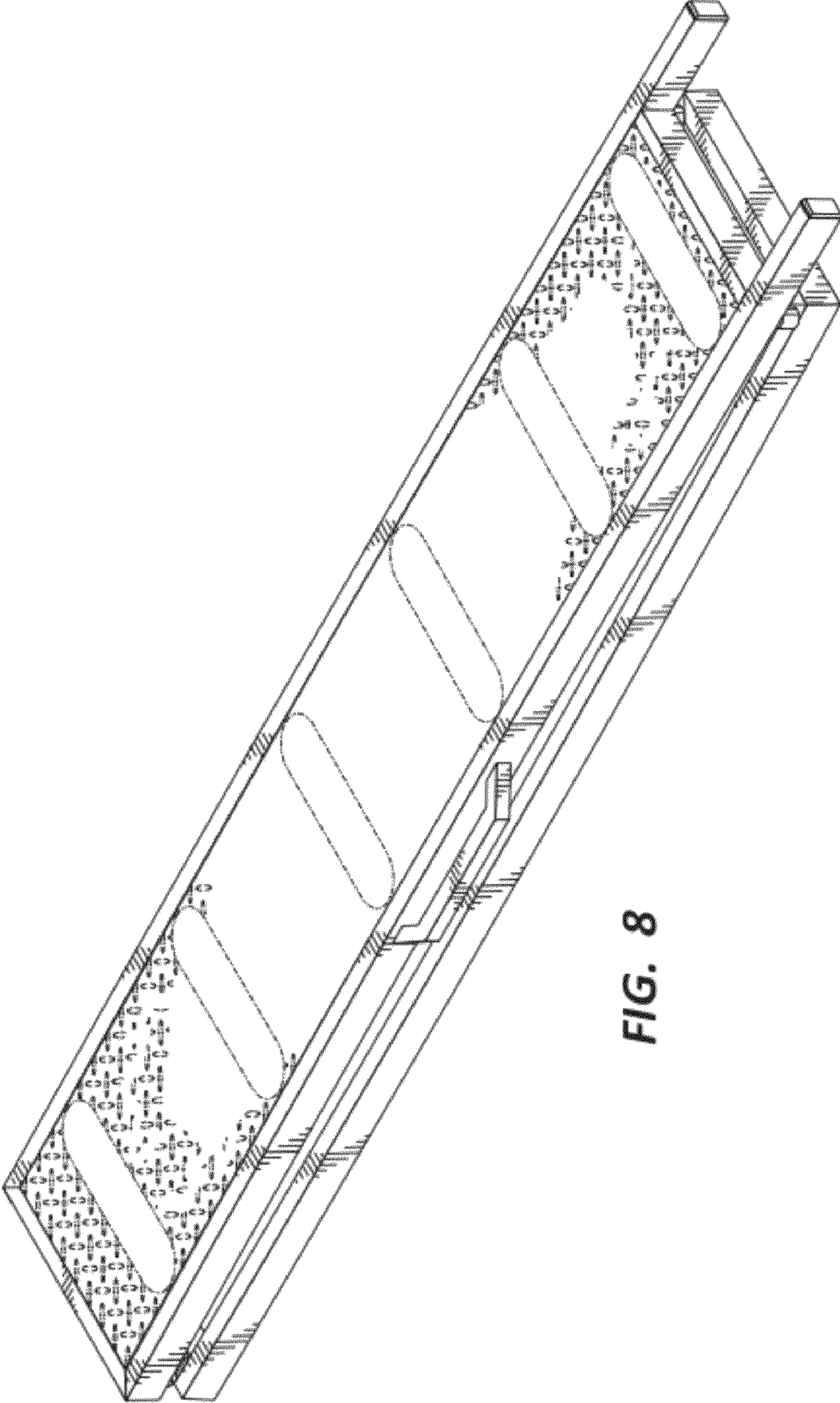


FIG. 8

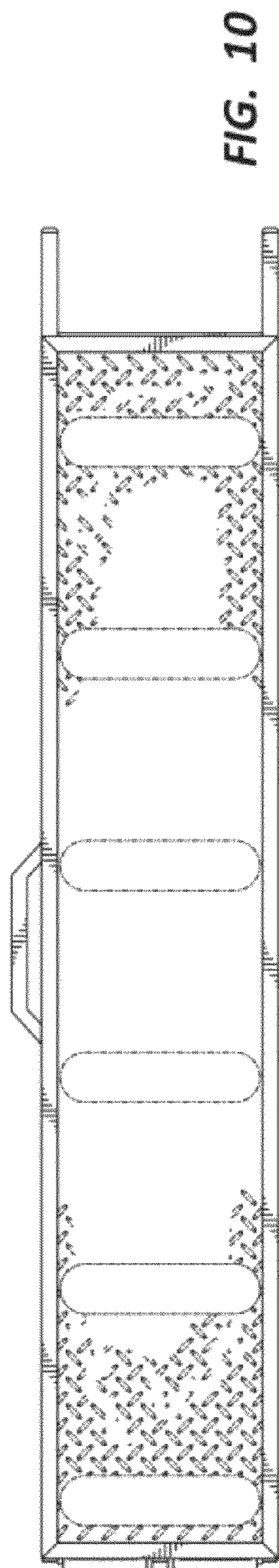
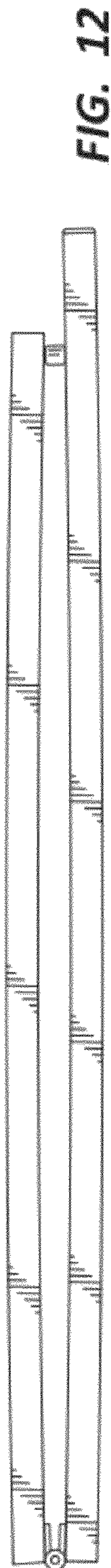
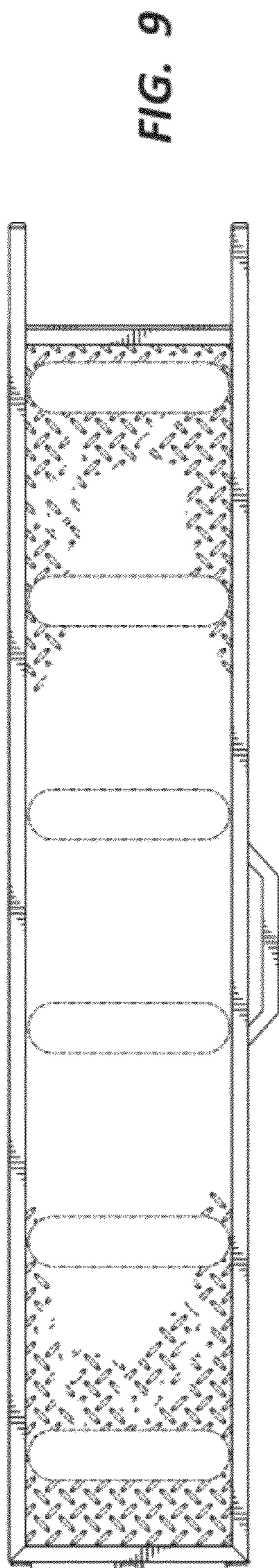


FIG. 13

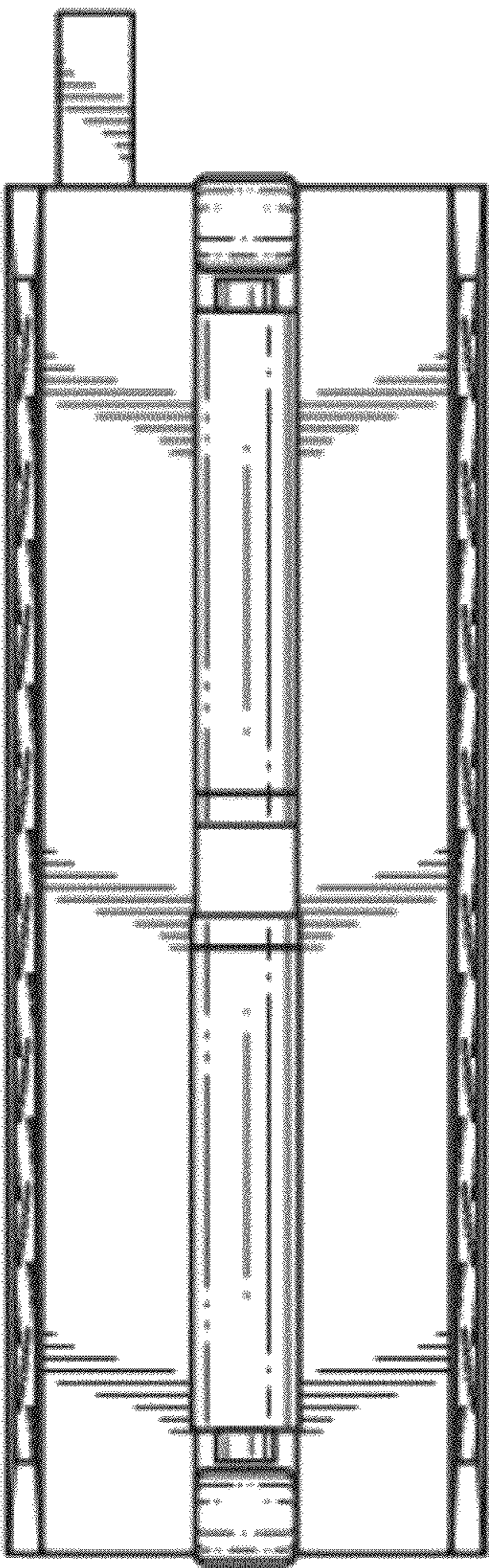


FIG. 14

