



US00D658781S

(12) **United States Design Patent**
Zimmer, II

(10) **Patent No.:** **US D658,781 S**

(45) **Date of Patent:** **** *May 1, 2012**

(54) **AWNING STOWABLE PANEL**

(75) **Inventor:** **Charles F. Zimmer, II**, River Ridge, LA (US)

(73) **Assignee:** **Ballista Industries, Ltd.**, River Ridge, LA (US)

(*) **Notice:** This patent is subject to a terminal disclaimer.

(**) **Term:** **14 Years**

(21) **Appl. No.:** **29/367,756**

(22) **Filed:** **Aug. 12, 2010**

(51) **LOC (9) Cl.** **25-02**

(52) **U.S. Cl.** **D25/57**

(58) **Field of Classification Search** D25/57;
160/19, 22, 24, 25, 29, 32, 37, 39, 45, 48,
160/49, 71, 75, 58.1, 54, 59, 64, 69, 70, 78,
160/80; 52/74; 49/464, 62

See application file for complete search history.

(56) **References Cited**

U.S. PATENT DOCUMENTS

2,242,697	A *	5/1941	Duca	160/172 R
2,718,259	A *	9/1955	Smith et al.	160/29
5,347,775	A	9/1994	Santos	
5,353,502	A	10/1994	Hattori et al.	
D384,167	S *	9/1997	Bodeau	D25/57
5,907,929	A *	6/1999	Poma et al.	52/78
6,056,037	A	5/2000	Jonkman, Sr.	
6,199,617	B1	3/2001	Schweiss	
6,604,322	B2	8/2003	Horn et al.	
6,866,080	B2	3/2005	Schweiss	
7,131,480	B2	11/2006	Briscoe et al.	
7,222,456	B1	5/2007	Carey	
7,900,681	B2	3/2011	Sweeney	
2008/0248708	A1	10/2008	Peacock et al.	

FOREIGN PATENT DOCUMENTS

JP	62-146856	U	9/1987
JP	06-066073	A	3/1994
JP	2008-255875	A	11/2010

OTHER PUBLICATIONS

International Search Report and Written Opinion dated Oct. 4, 2010 issued in corresponding international Application No. PCT/US09/55716. (7 pgs.).

Patent Abstracts of Japan, Publication No. 62-146850 dated Jun. 30, 1987(1 pg.).

Patent Abstracts of Japan, Publication No. 06-056073 dated Mar. 8, 1994 (1 pg.).

Patent Abstracts of Japan, Publication No. 2008-255676 dated Oct. 2, 2008 (1 pg.).

* cited by examiner

Primary Examiner — Doris Clark

(74) *Attorney, Agent, or Firm* — Porter Hedges LLP; Timothy S. Westby

(57) **CLAIM**

The Applicant claims, the ornamental designs for an awning stowable panel, as shown and described.

DESCRIPTION

FIG. 1 is a right, bottom perspective view of an awning stowable panel in a first position;

FIG. 2 is a left side elevation view thereof;

FIG. 3 is a front elevation view thereof;

FIG. 4 is a right side elevation view thereof;

FIG. 5 is a left, top perspective view thereof;

FIG. 6 is a bottom elevation view of thereof;

FIG. 7 is a left, bottom perspective view thereof;

FIG. 8 is a front elevation view of an awning stowable panel in an intermediate position;

FIG. 9 is a left, top perspective view thereof;

FIG. 10 is a top elevation view thereof;

FIG. 11 is a right side elevation view thereof

FIG. 12 is a left, top perspective view thereof;

FIG. 13 is a left, bottom perspective view thereof;

FIG. 14 is a bottom elevation view thereof;

FIG. 15 a front elevation view of an awning stowable panel in a second position;

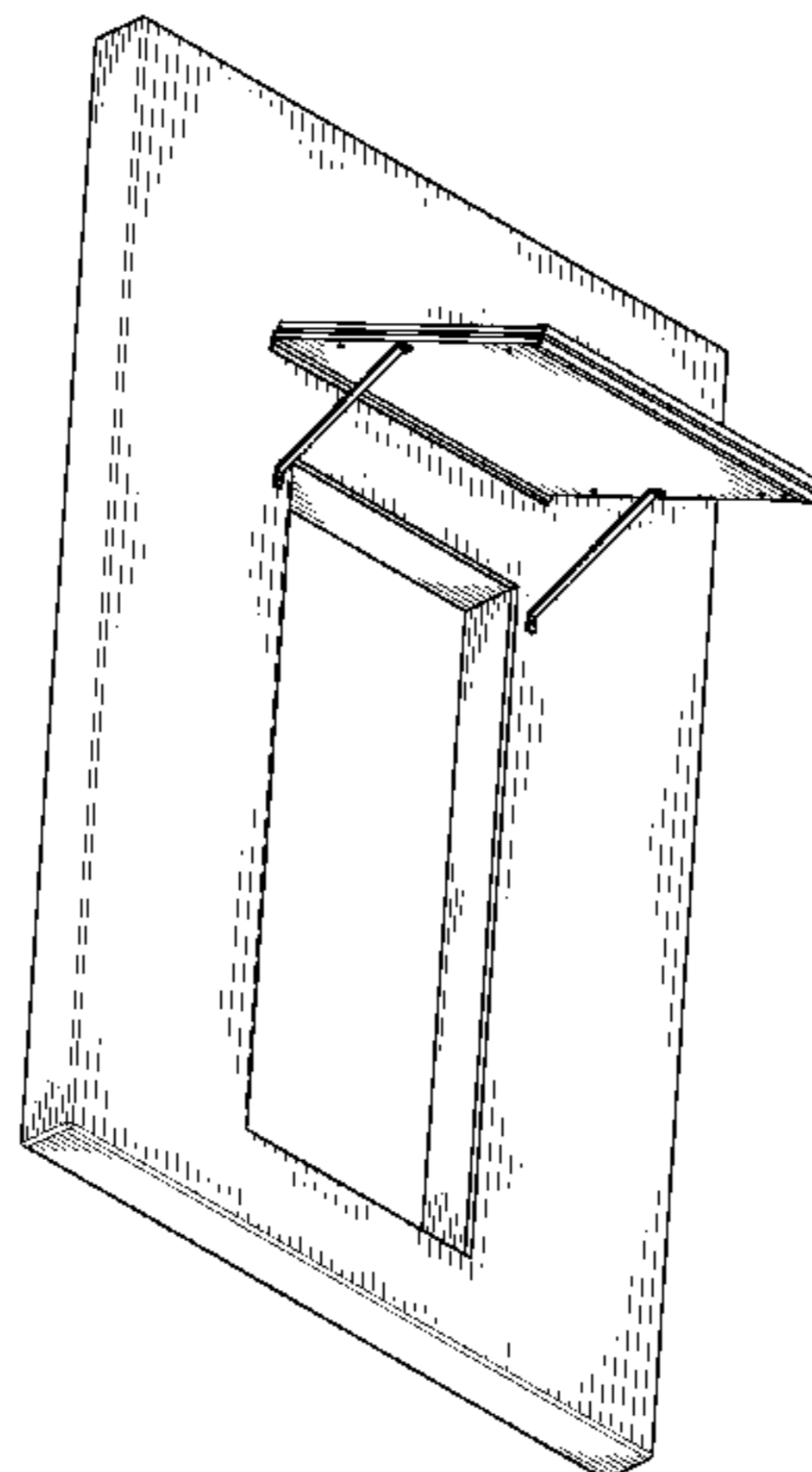
FIG. 16 is a left, top perspective view thereof;

FIG. 17 is a right side elevation view thereof;

FIG. 18 is a top elevation view thereof; and,

FIG. 19 a left, bottom perspective view thereof.

1 Claim, 13 Drawing Sheets



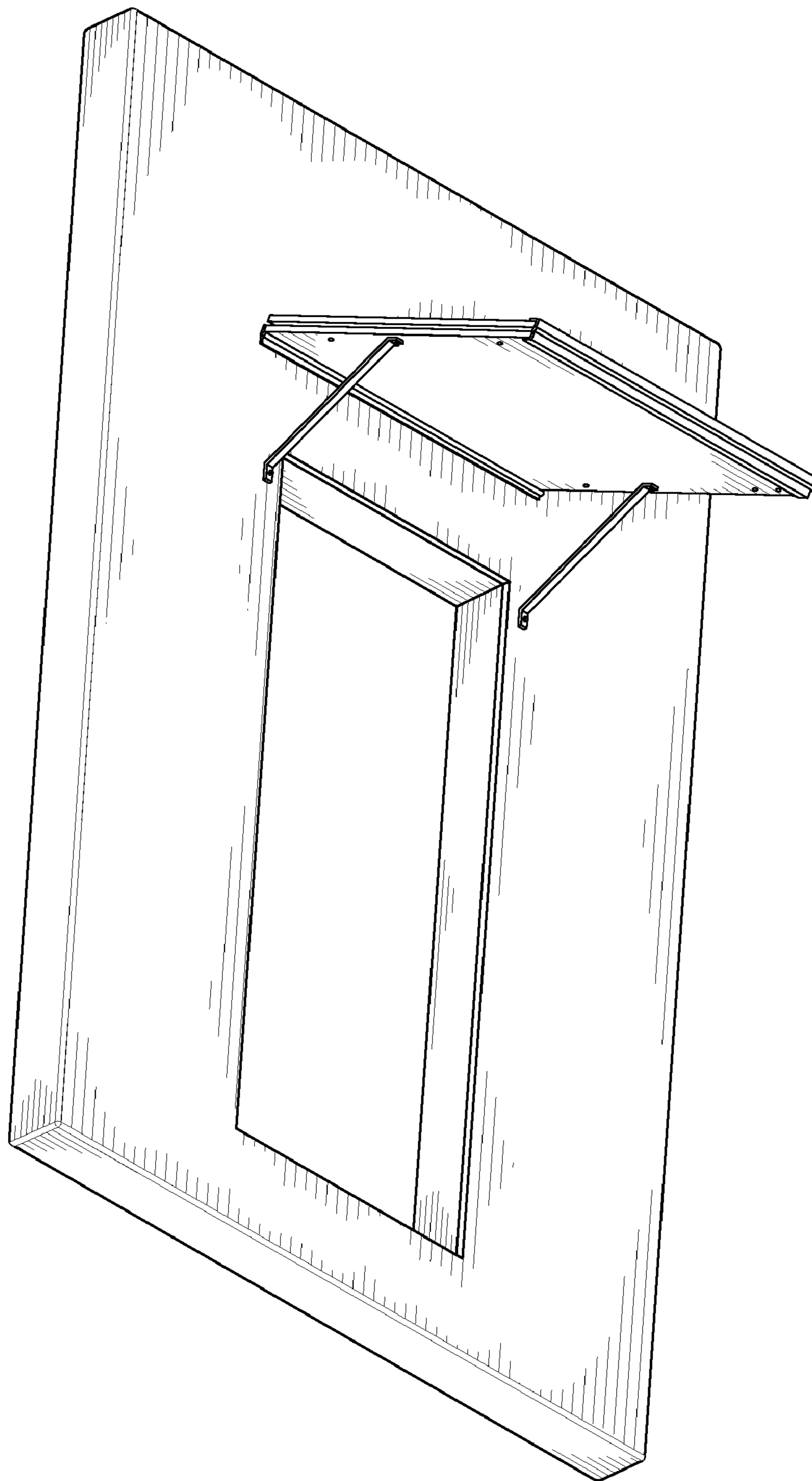


FIG. 1

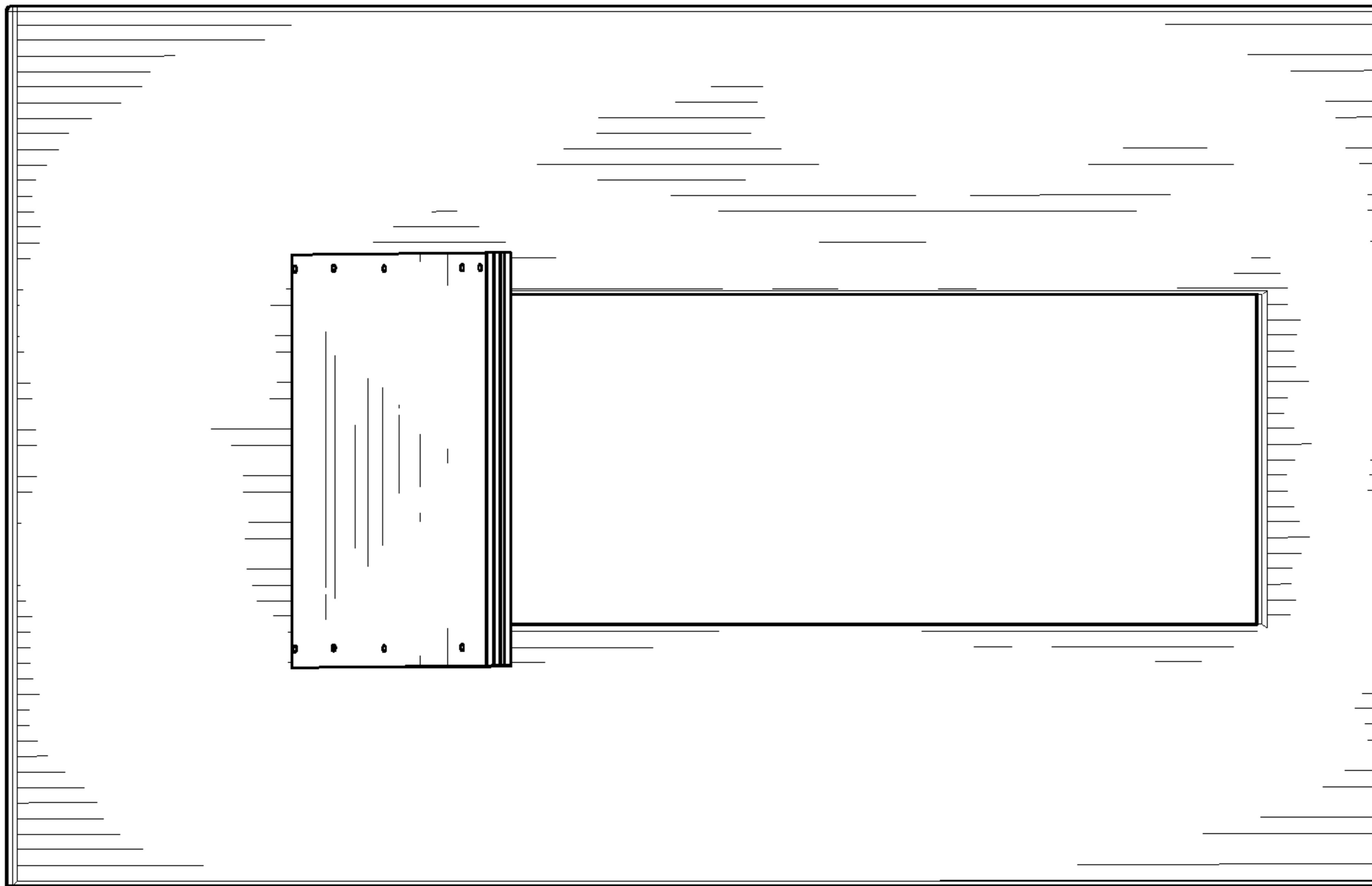


FIG. 3

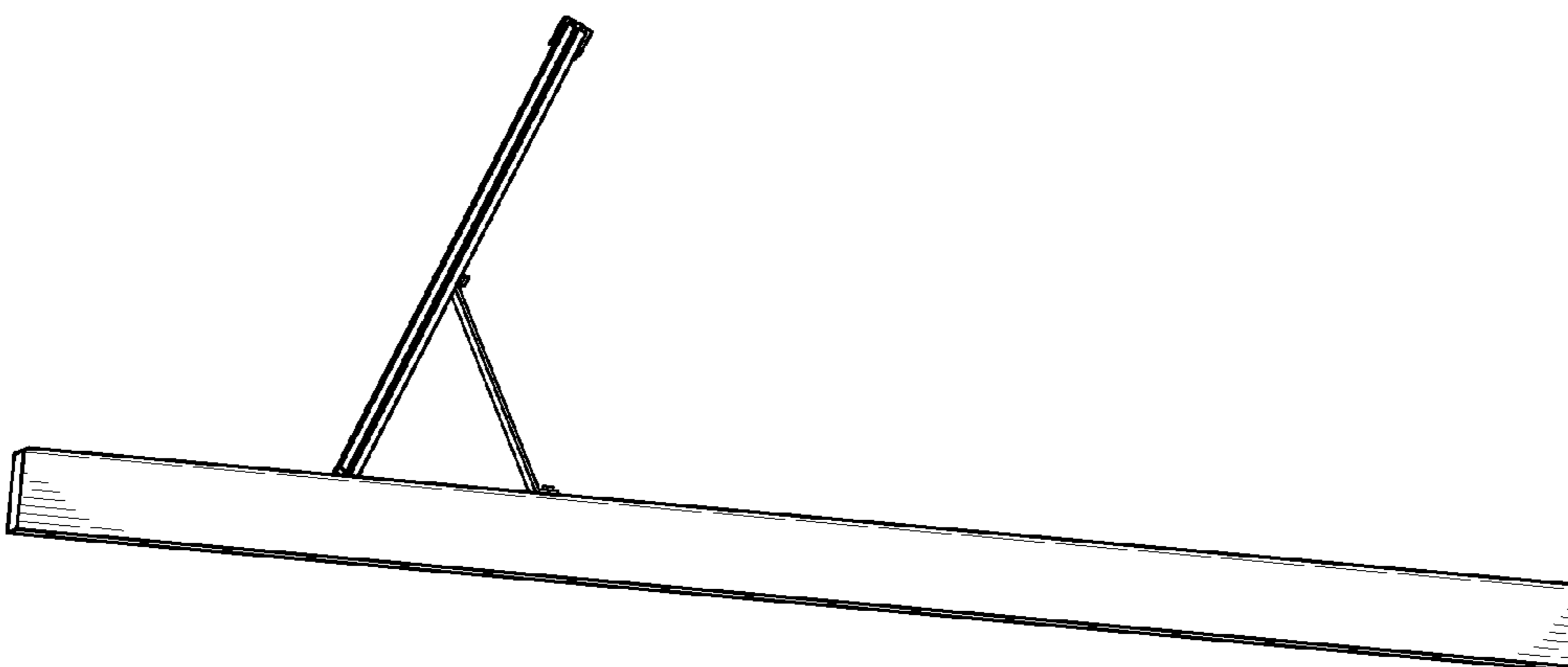


FIG. 2

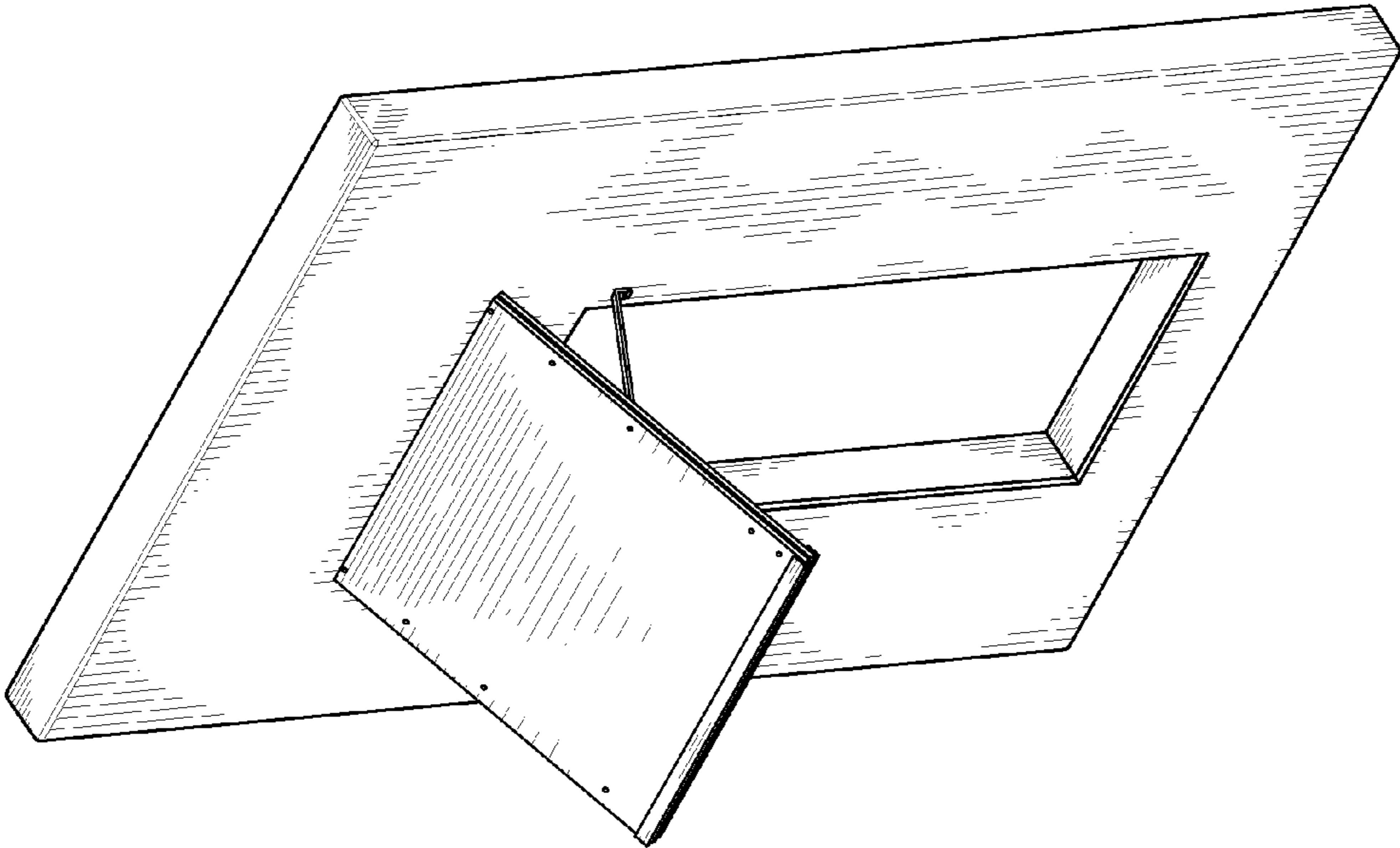


FIG. 5

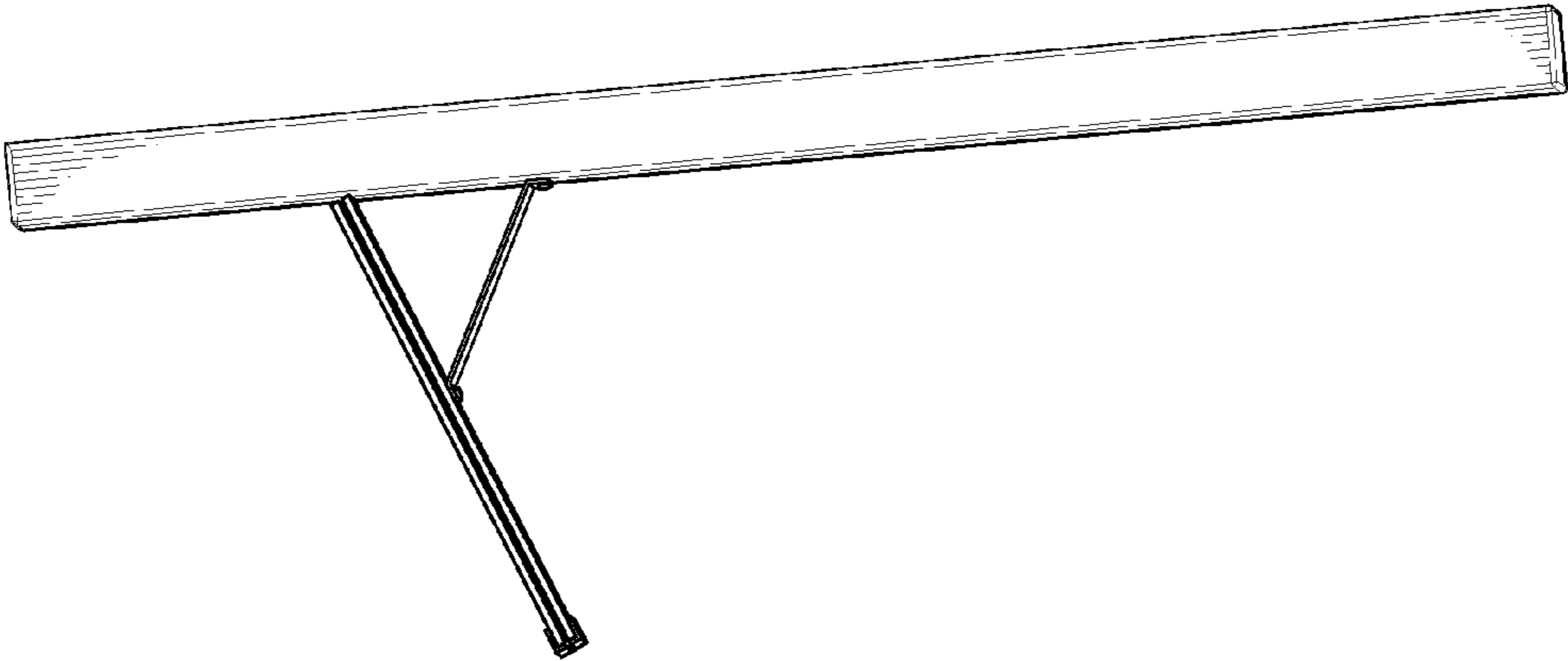


FIG. 4

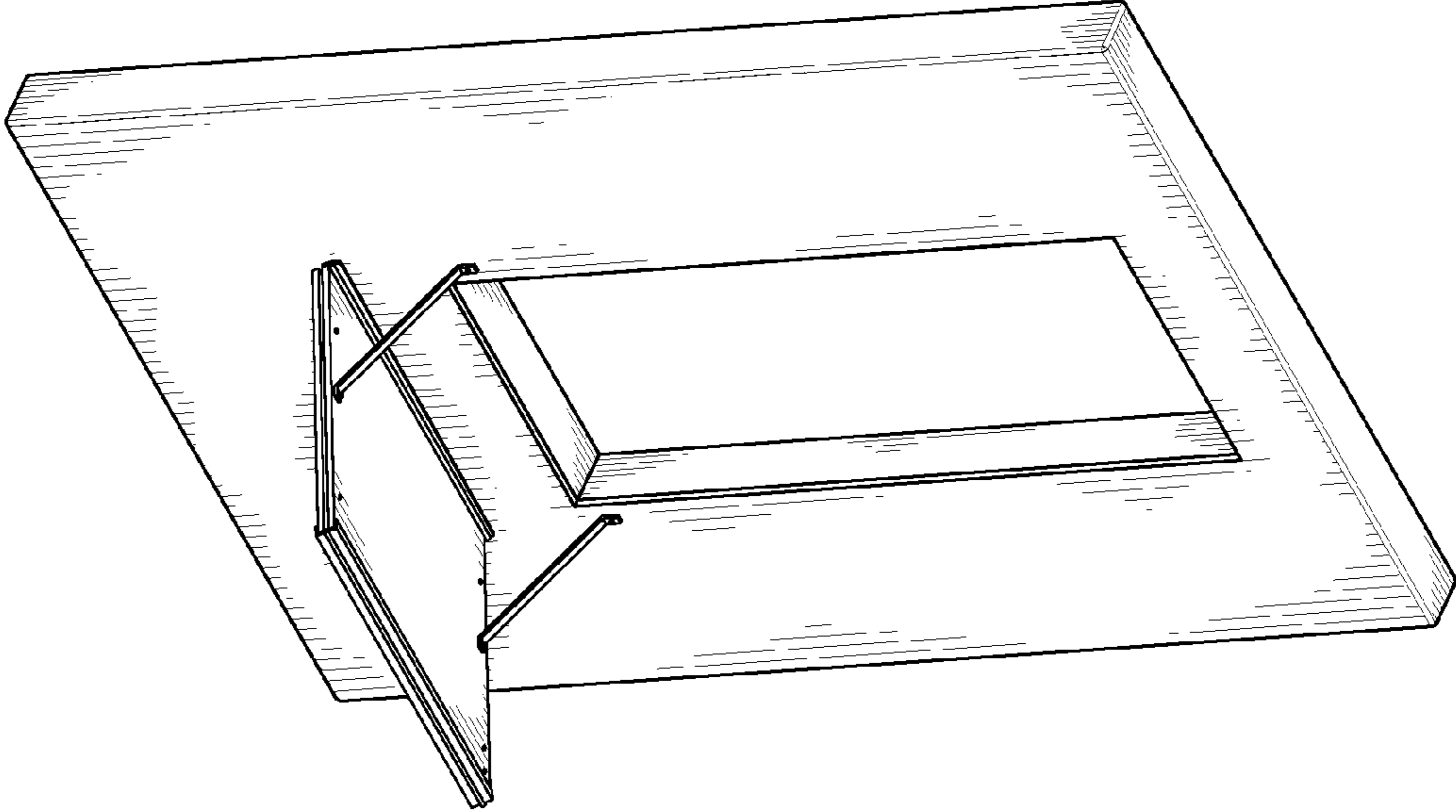


FIG. 7

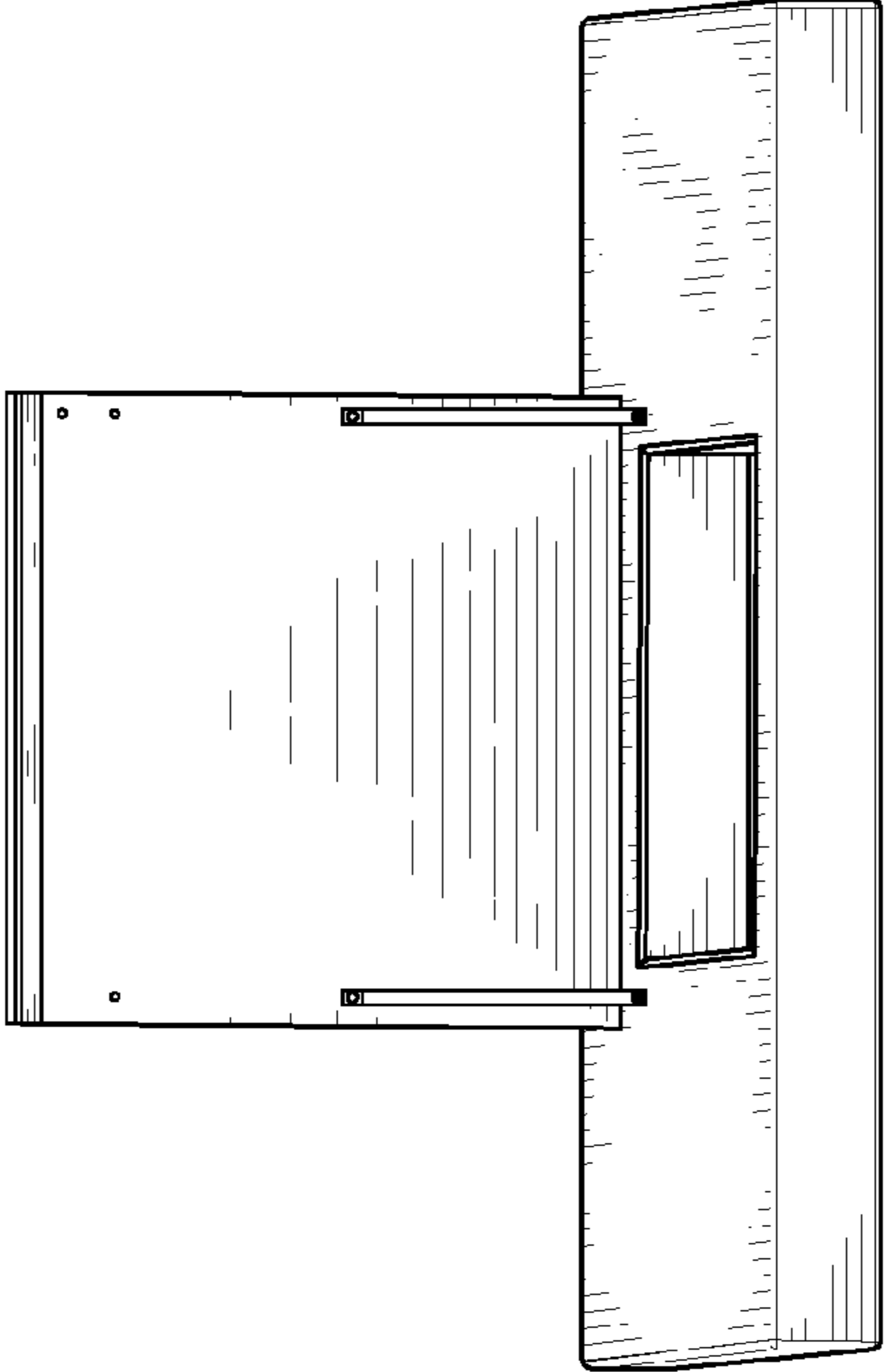


FIG. 6

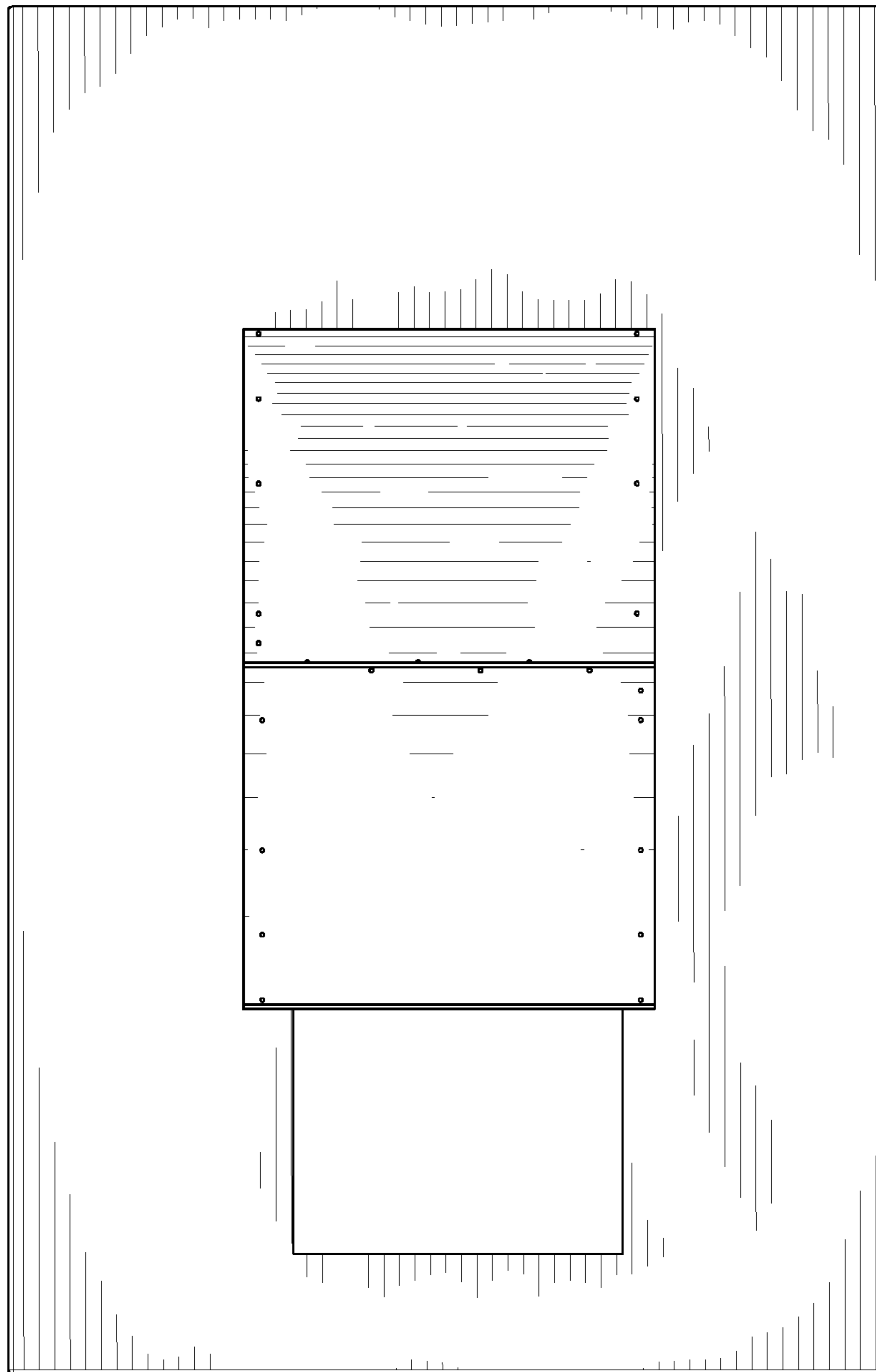


FIG. 8

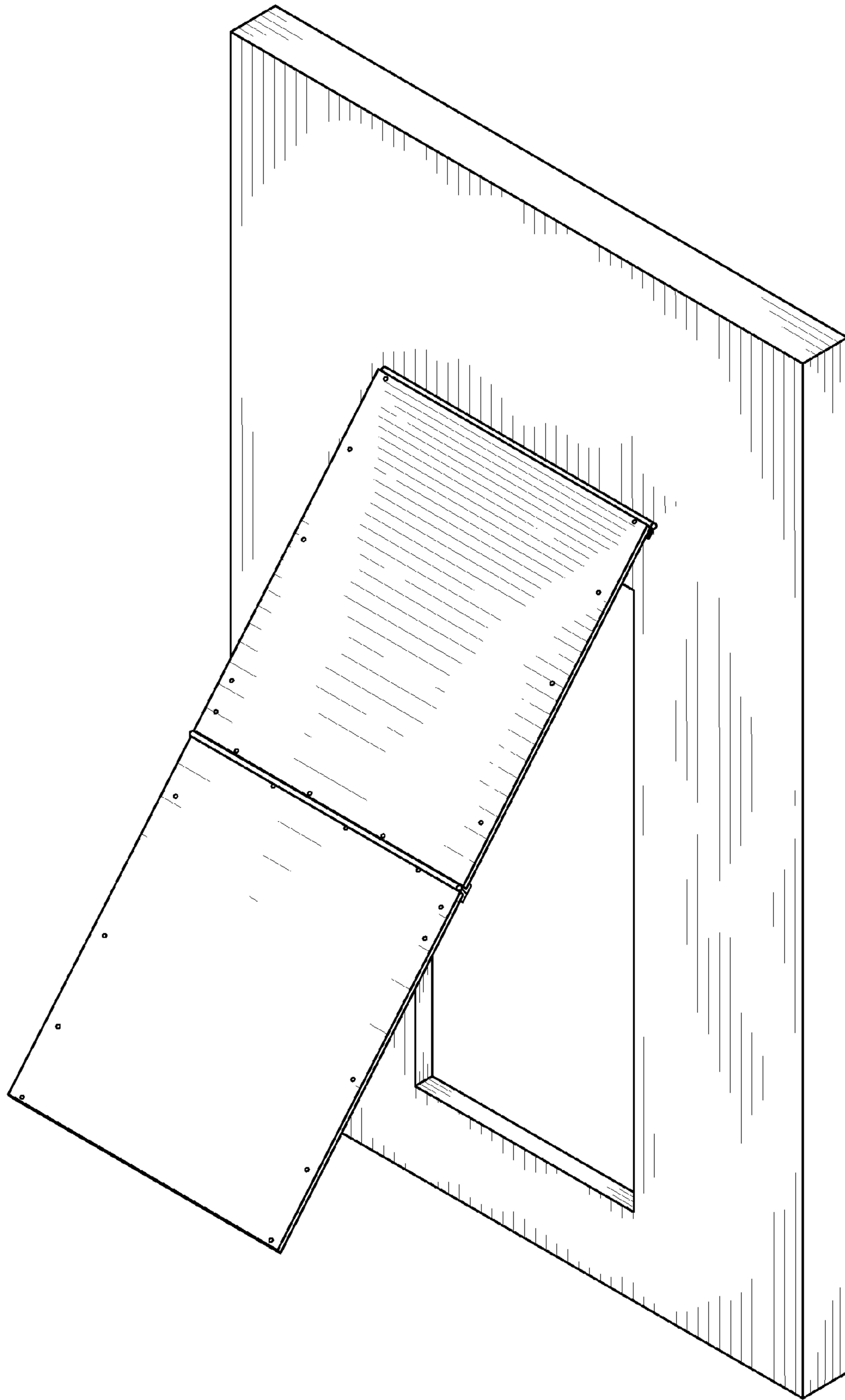


FIG. 9

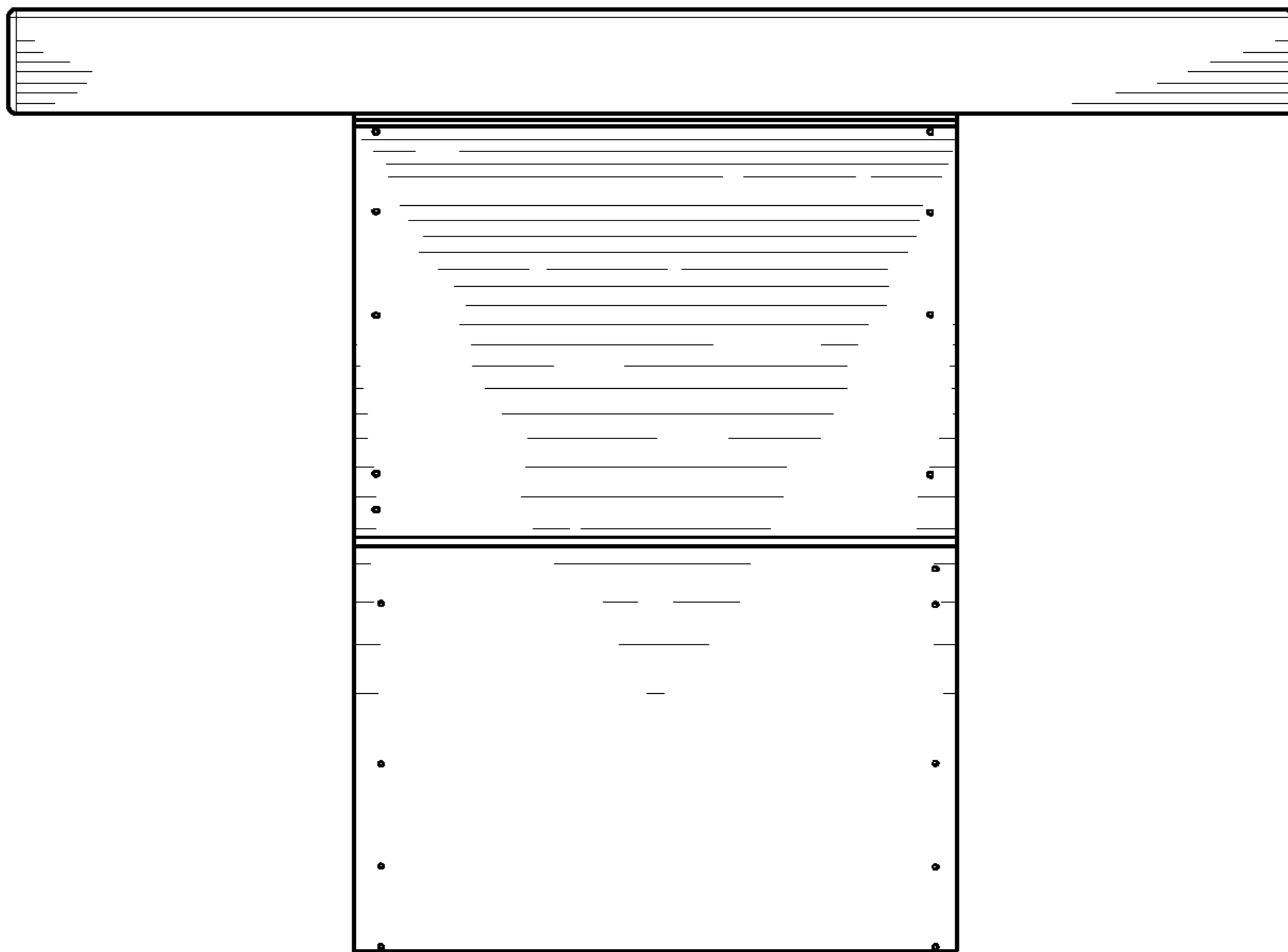


FIG. 10

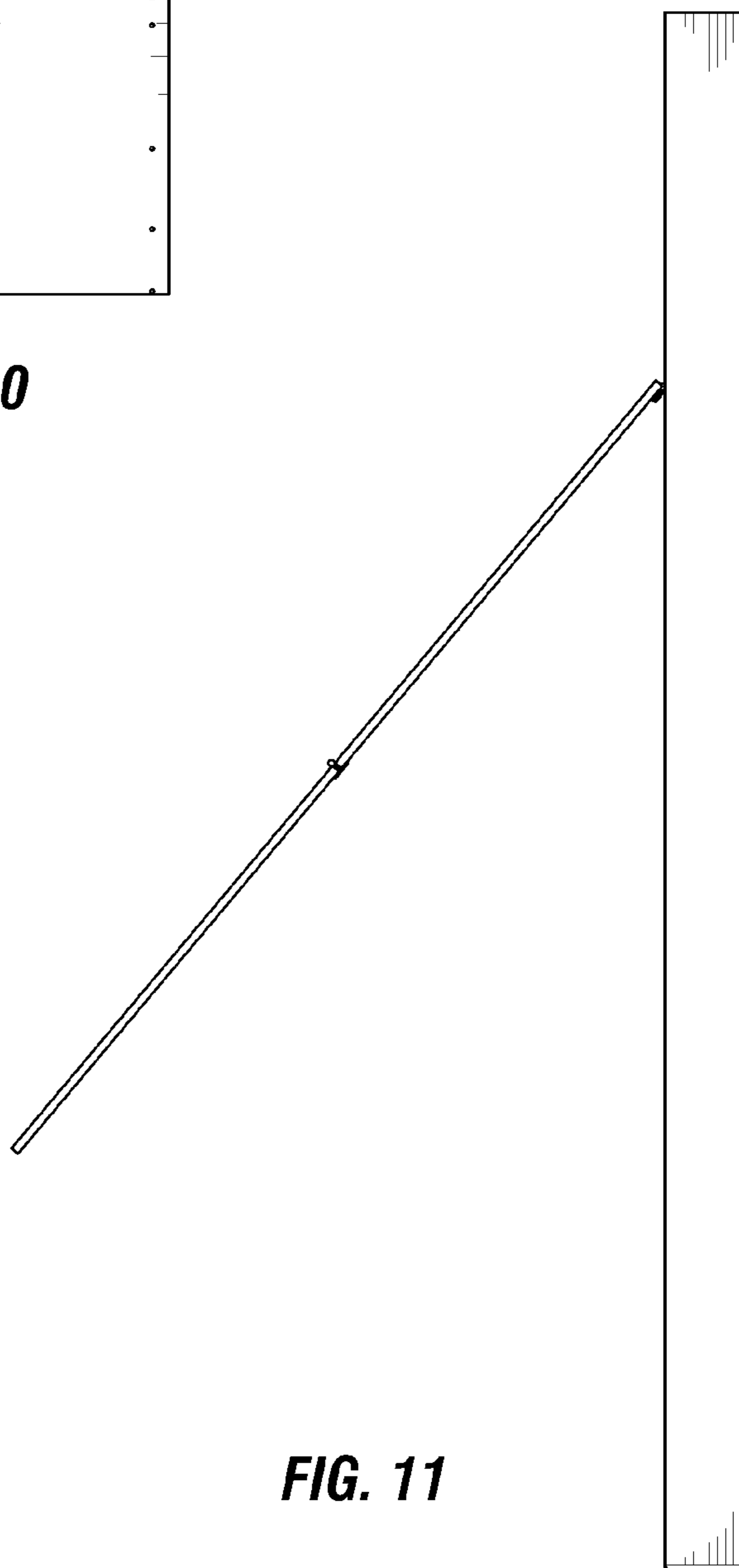


FIG. 11

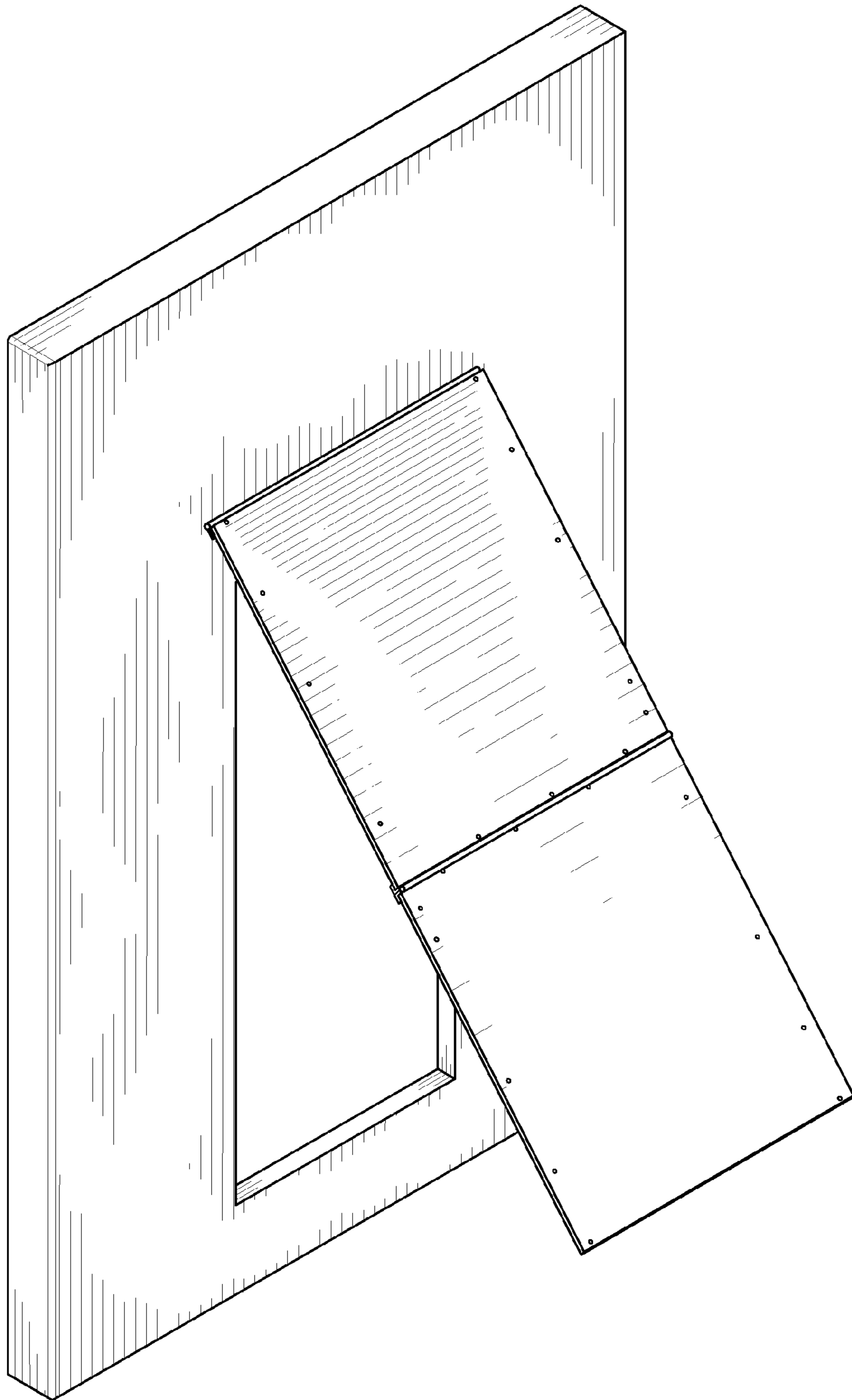


FIG. 12

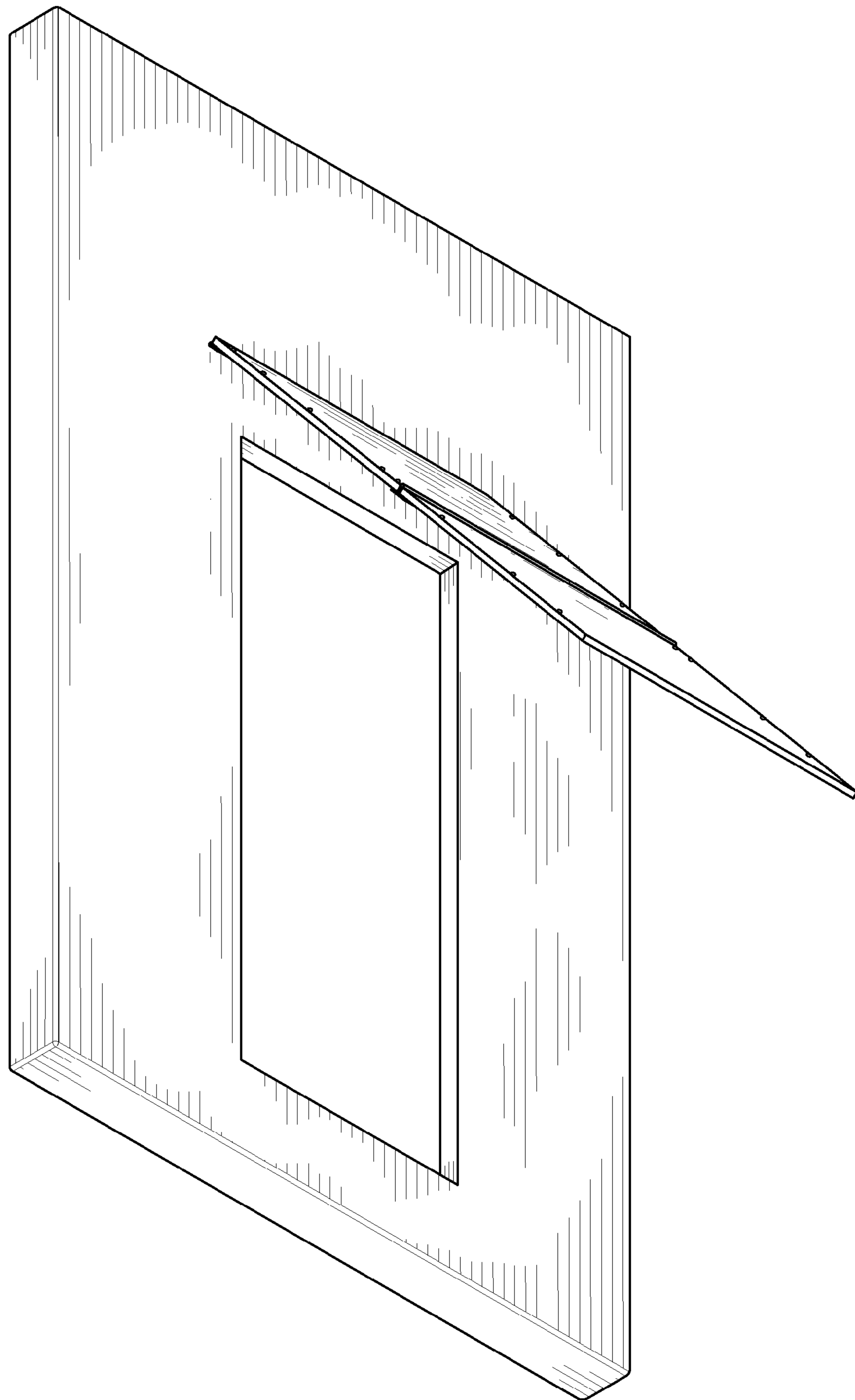


FIG. 13

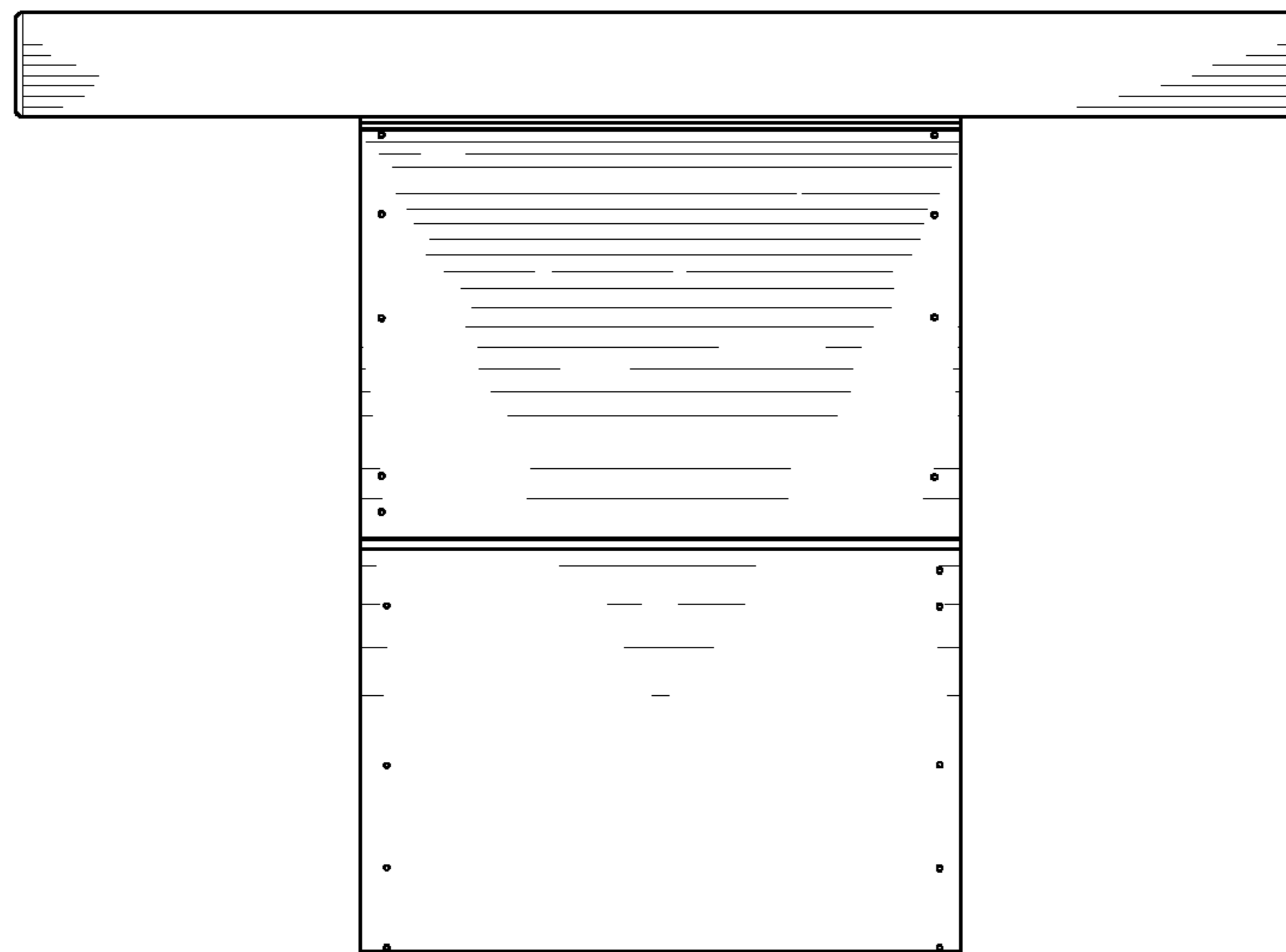


FIG. 14

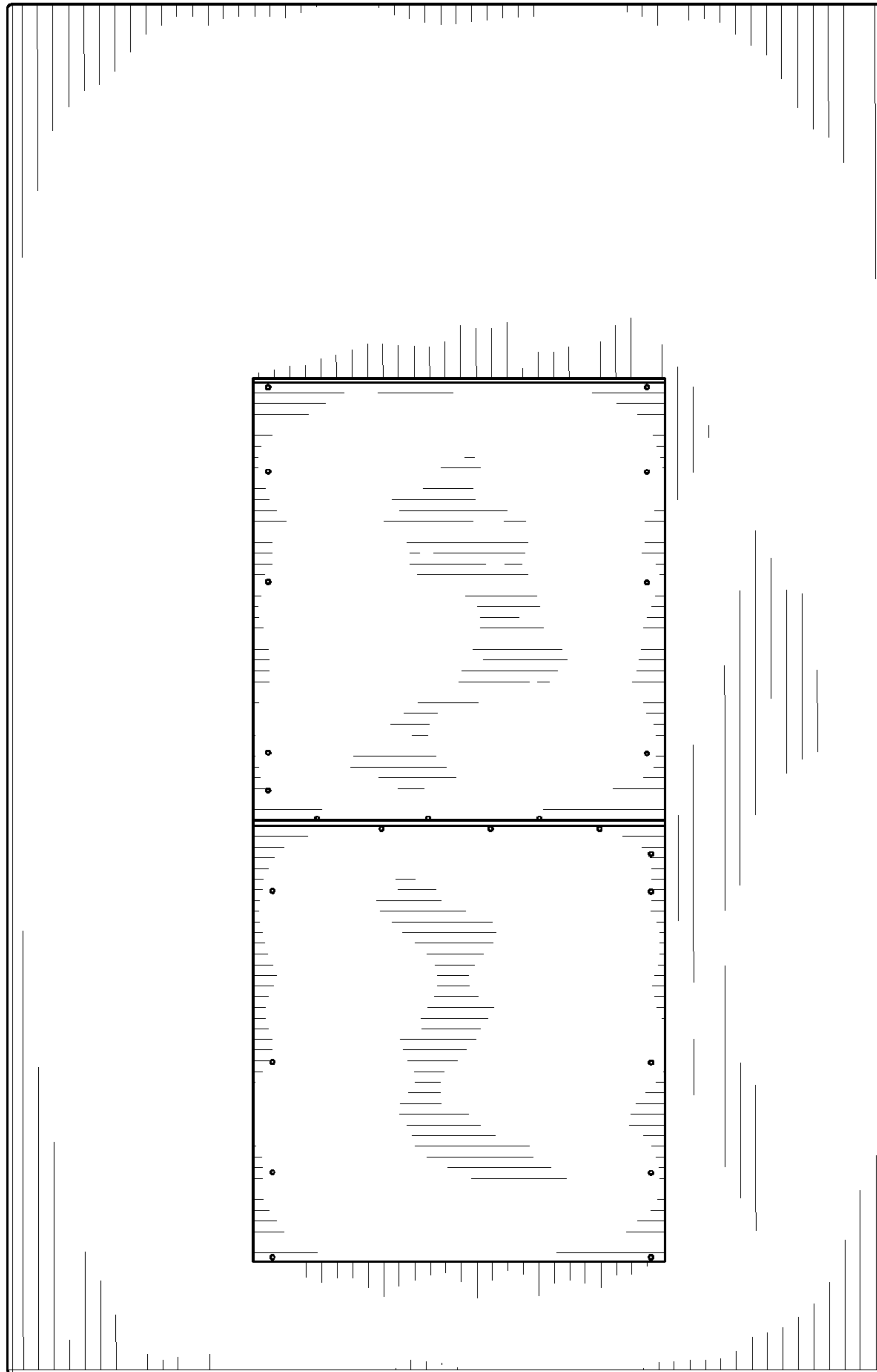


FIG. 15

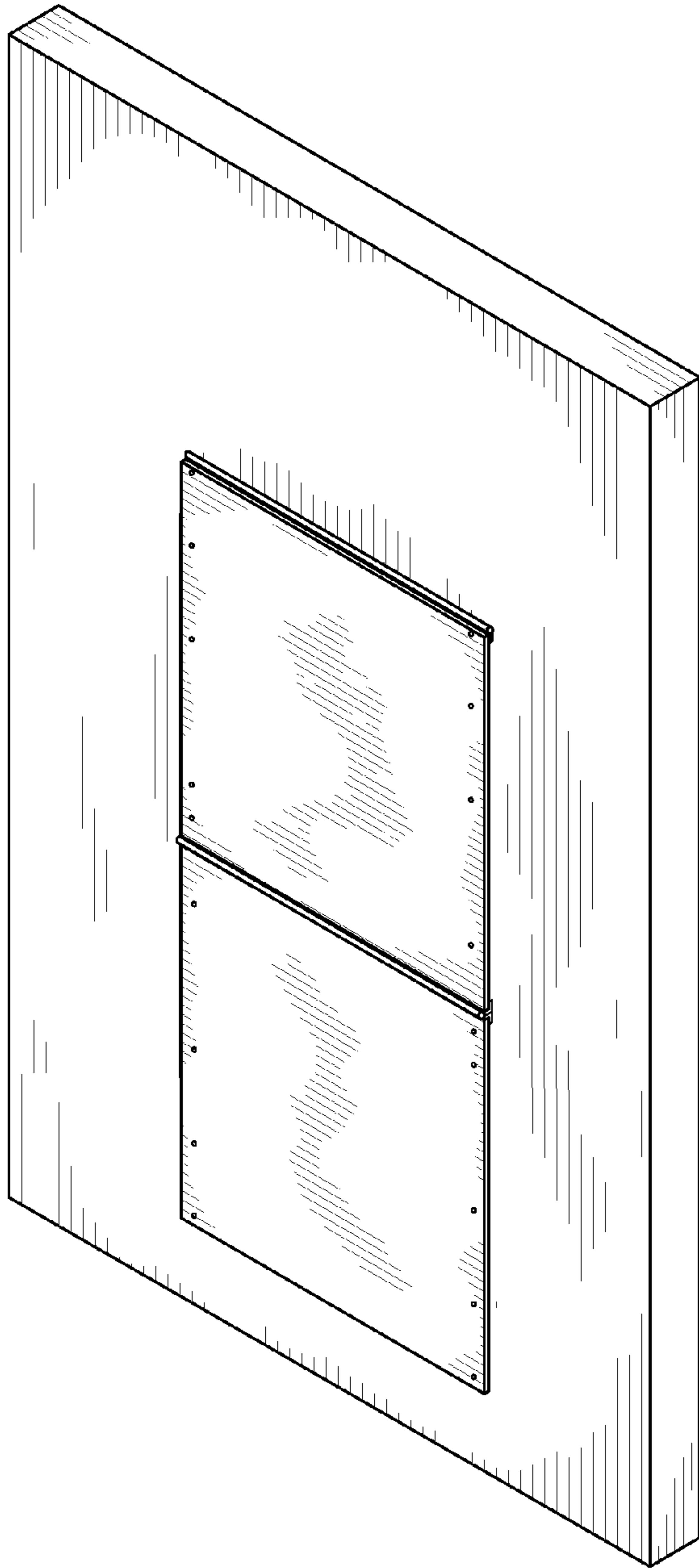


FIG. 16

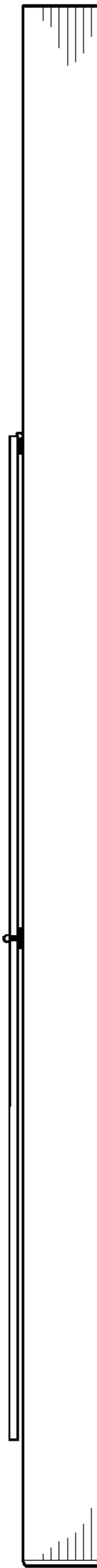


FIG. 17



FIG. 18

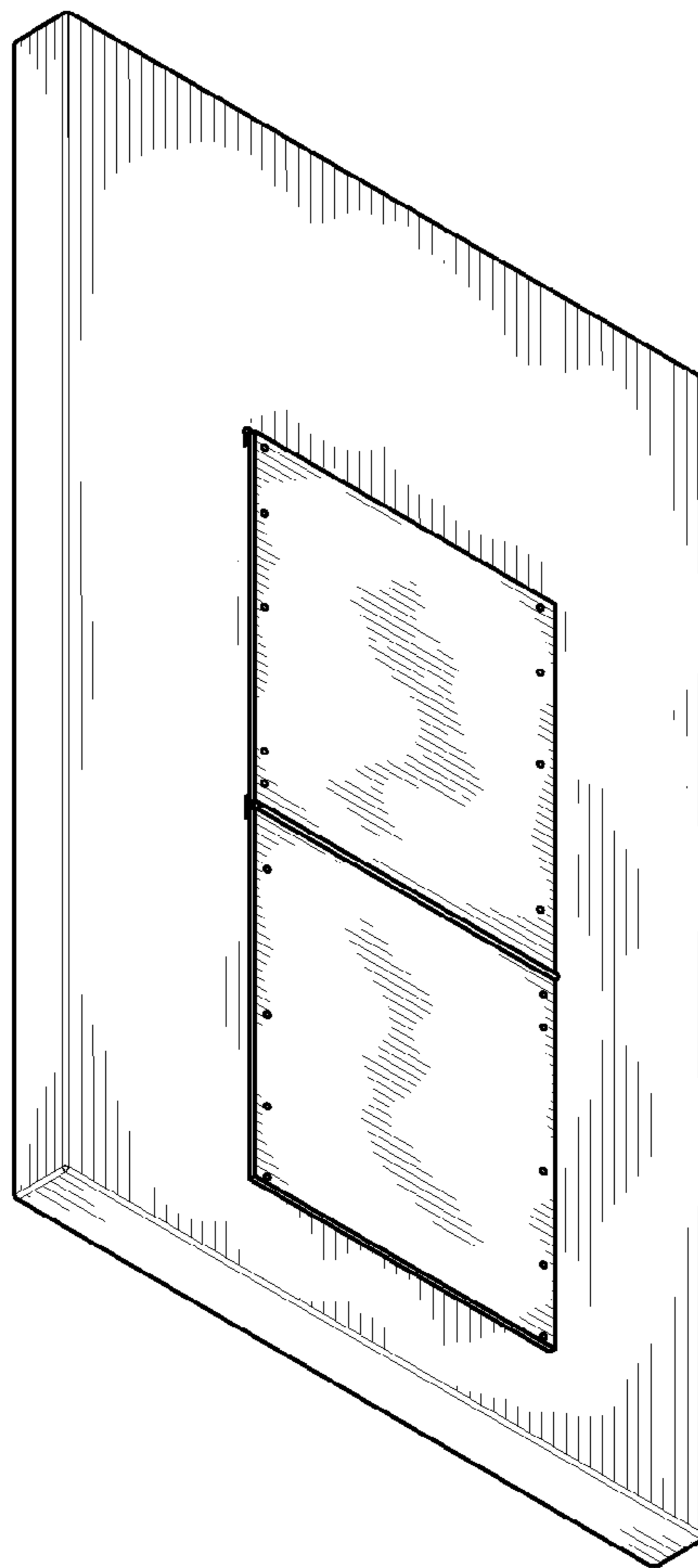


FIG. 19