



US00D658779S

(12) **United States Design Patent**
Sovereign

(10) **Patent No.:** **US D658,779 S**

(45) **Date of Patent:** **** May 1, 2012**

(54) **COLLAPSIBLE PORTABLE HUNTING BLIND**

(76) Inventor: **Ronnie G. Sovereign**, Eureka, CA (US)

(**) Term: **14 Years**

(21) Appl. No.: **29/374,176**

(22) Filed: **Jul. 11, 2011**

(51) **LOC (9) Cl.** **25-03**

(52) **U.S. Cl.** **D25/18**

(58) **Field of Classification Search** D25/1-33;
52/79.4, 81.5, 236.1, 274, 74, 71, 245-246,
52/82, 79.1, 79.5, 90.1, 64; 135/124-126,
135/20.2; D21/253

See application file for complete search history.

(56) **References Cited**

U.S. PATENT DOCUMENTS

84,381	A *	11/1868	Seaman	135/137
3,240,217	A *	3/1966	Bird et al.	135/123
3,464,168	A *	9/1969	Lyons, Jr. et al.	52/63
3,892,094	A *	7/1975	Spray	135/125
3,970,096	A *	7/1976	Nicolai	135/94
4,224,754	A	9/1980	Derryberry	
4,239,247	A *	12/1980	Hinz	280/19.1
4,815,736	A *	3/1989	Wright	473/421
5,502,927	A *	4/1996	Hammerton	52/218
D392,935	S *	3/1998	Cripe	D12/317
5,730,080	A	3/1998	Cripe	
5,842,495	A	12/1998	Egnew et al.	
D409,310	S *	5/1999	Goldwitz	D25/1
D415,571	S *	10/1999	Goldwitz	D25/1
6,431,192	B2	8/2002	O'Hare	
D479,881	S *	9/2003	Blassingame et al.	D25/16

D484,610	S *	12/2003	Lockwood	D25/1
6,668,749	B2	12/2003	Fargason	
6,688,256	B1 *	2/2004	King	119/474
6,694,995	B1	2/2004	Ransom	
6,735,781	B1	5/2004	Fulmer	
7,182,091	B2 *	2/2007	Maddox	135/90
7,216,644	B2	5/2007	Haugen	
D549,836	S *	8/2007	Desbiens	D25/19
7,401,566	B1	7/2008	Miknich	
D603,529	S *	11/2009	VanElverdinghe	D25/56
7,931,039	B2 *	4/2011	Yang	135/126
2003/0116182	A1 *	6/2003	Ueda et al.	135/124
2007/0193614	A1	8/2007	Egstad	

* cited by examiner

Primary Examiner — T. Chase Nelson

Assistant Examiner — Eric Goodman

(74) *Attorney, Agent, or Firm* — Richard L. Miller

(57) **CLAIM**

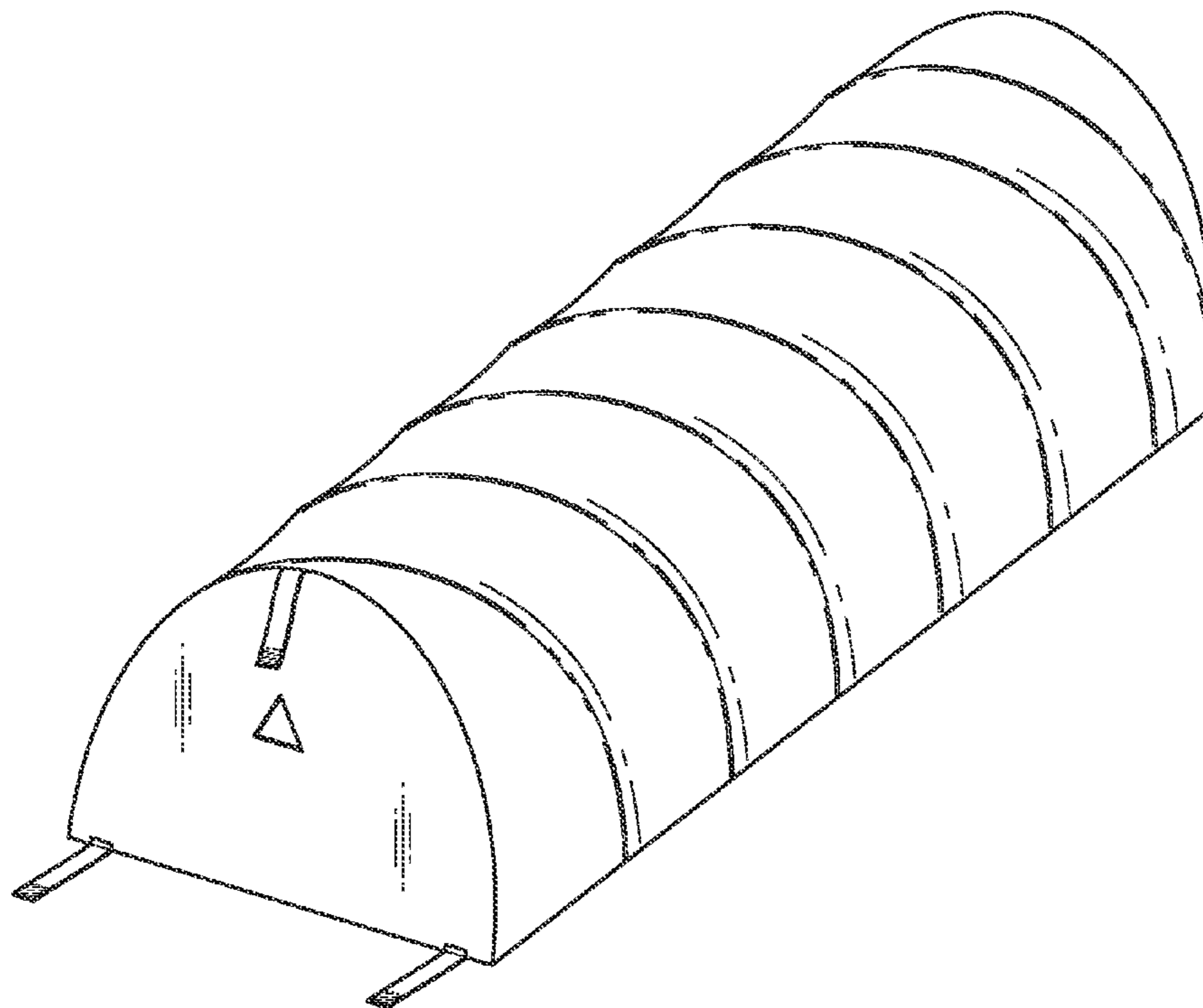
The ornamental design for a collapsible portable hunting blind, as shown and described.

DESCRIPTION

FIG. 1 is a front, top, left side perspective view of a collapsible portable hunting blind showing my new design; FIG. 2 is a rear, top, right side perspective view thereof; FIG. 3 is a left side elevational view thereof; FIG. 4 is a front elevational view thereof; and, FIG. 5 is a rear elevational view thereof.

The broken line showing of the camouflage surface pattern is included for the purpose of illustrating environment and forms no part of the claimed design.

1 Claim, 2 Drawing Sheets



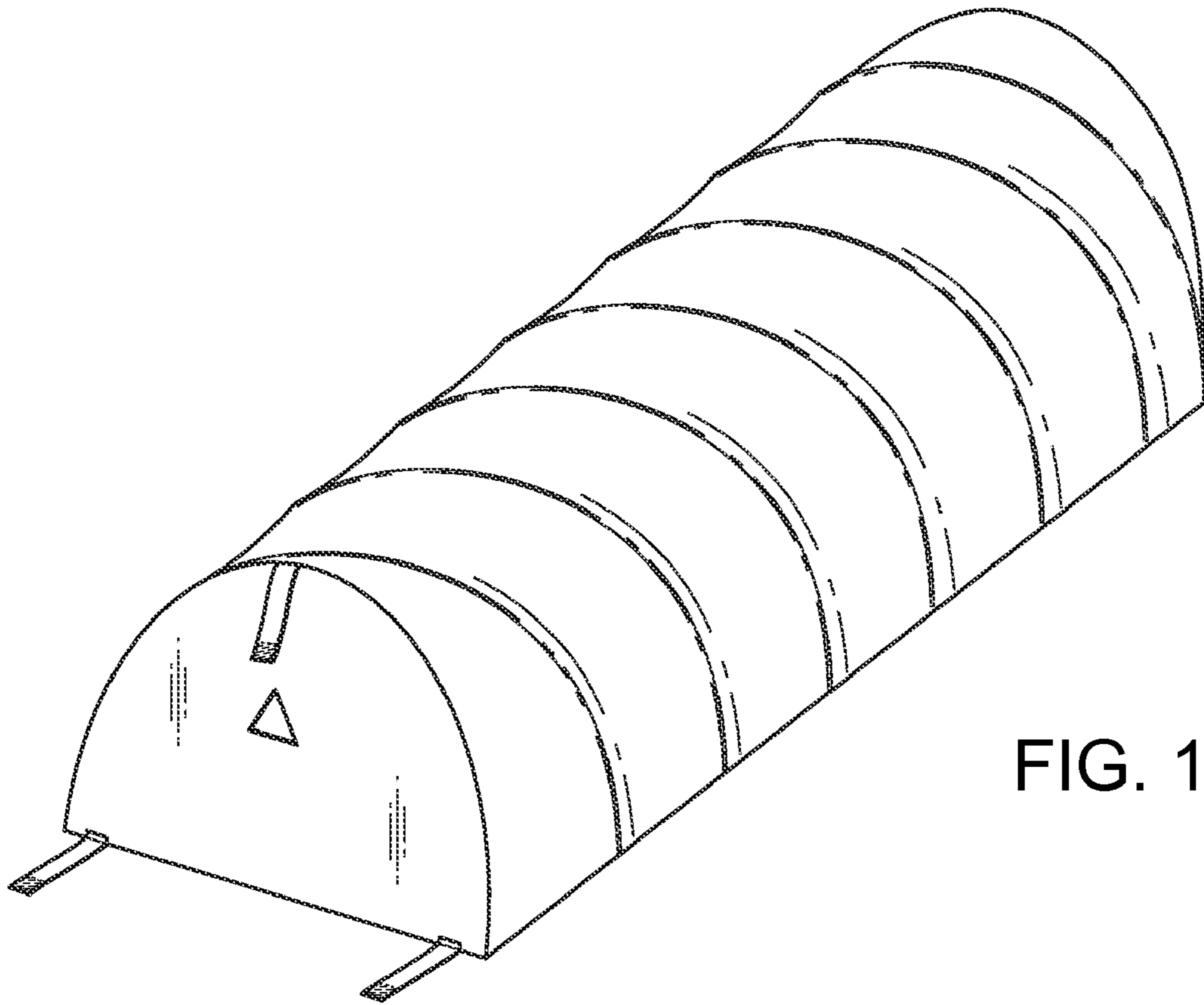


FIG. 1

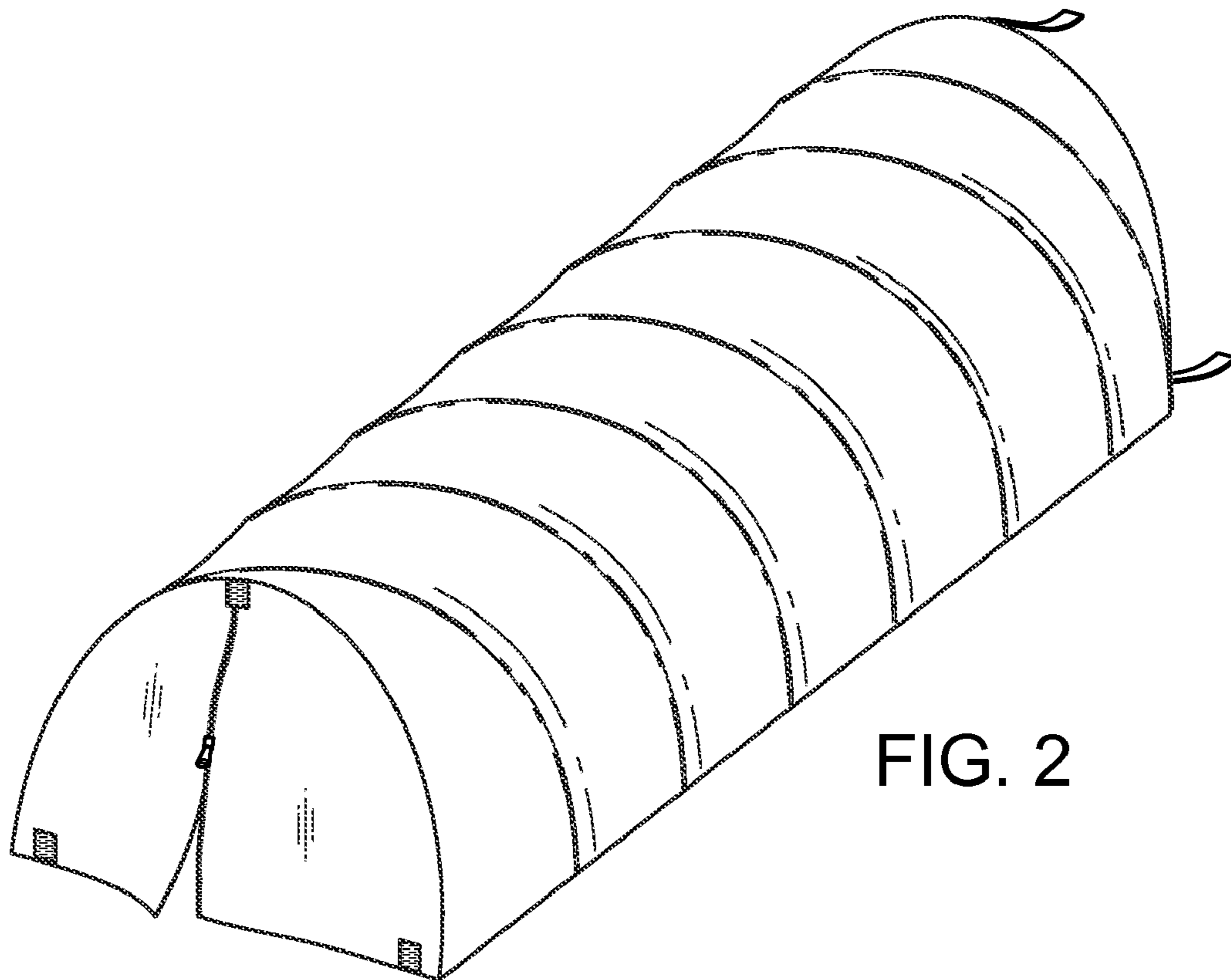


FIG. 2

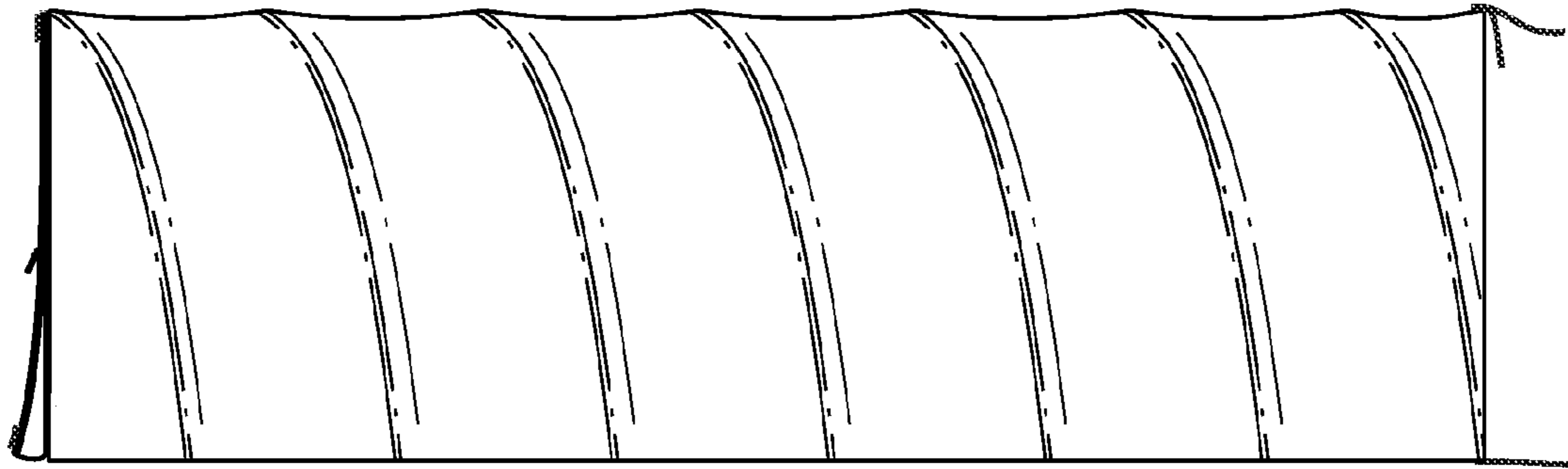


FIG. 3

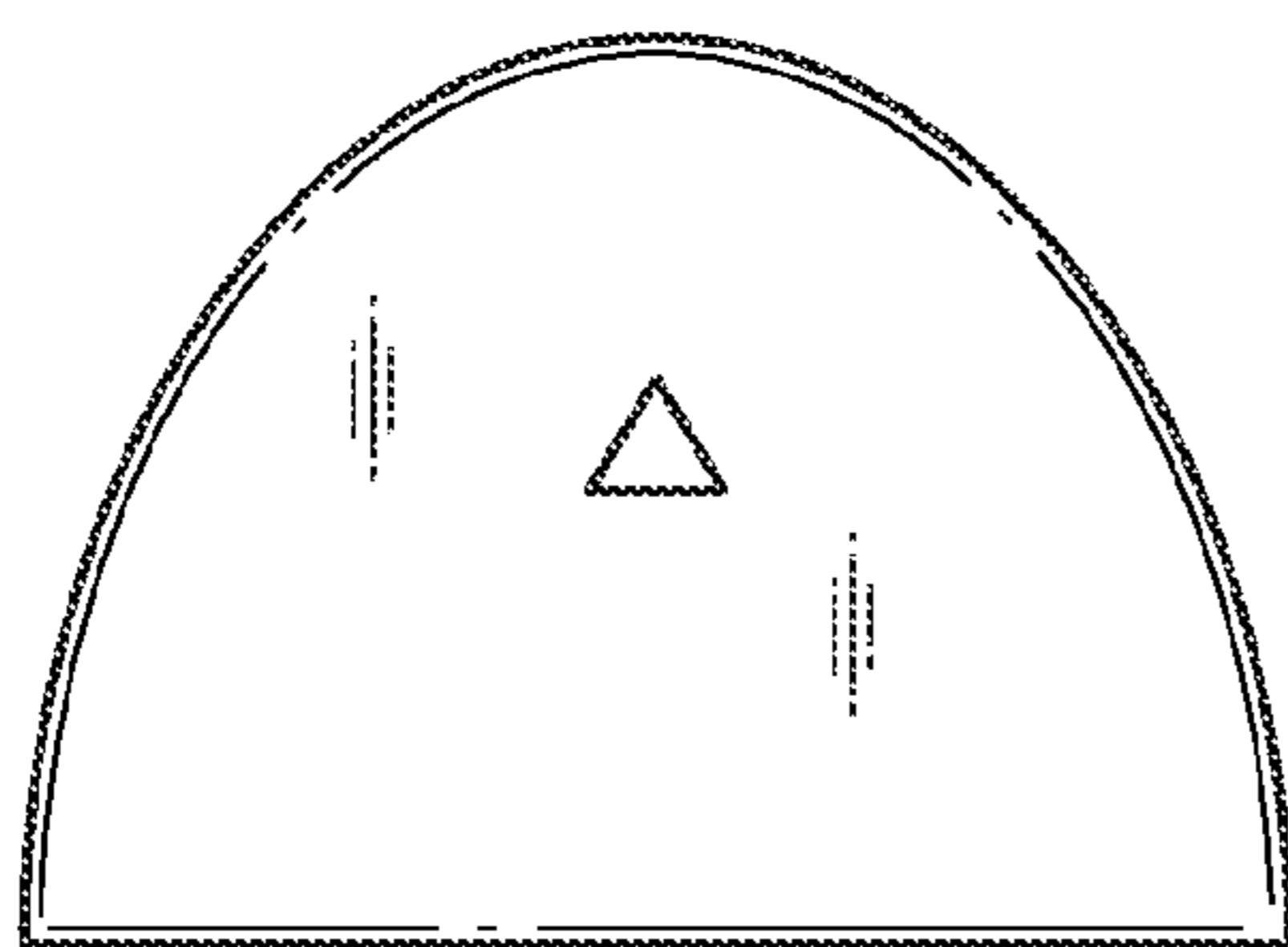


FIG. 4

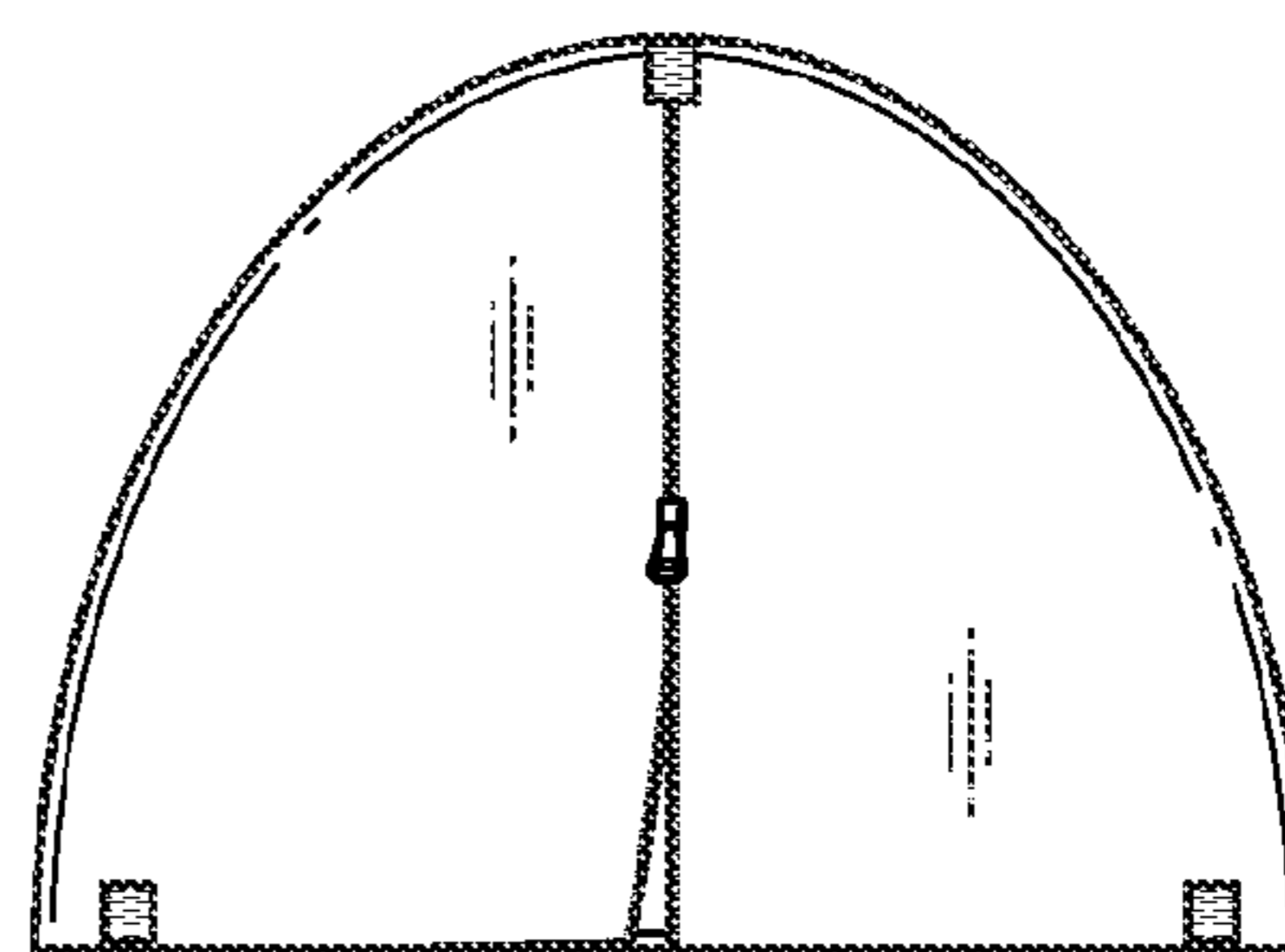


FIG. 5