



US00D658778S

(12) **United States Design Patent**
Funnell

(10) **Patent No.:** **US D658,778 S**

(45) **Date of Patent:** **** May 1, 2012**

(54) **STERILIZING RACK**

(76) **Inventor:** **David Funnell, Medford, MA (US)**

(**) **Term:** **14 Years**

(21) **Appl. No.:** **29/307,226**

(22) **Filed:** **Apr. 7, 2008**

(51) **LOC (9) Cl.** **24-02**

(52) **U.S. Cl.** **D24/227; D24/217**

(58) **Field of Classification Search** **D24/216-232;**
422/292, 295, 297-298, 300-302, 562, 566;
206/233, 370, 564; D32/55; 220/4.01, 318;
211/41.18, 184, 41.1, 74; 366/111; D3/308-309,
D3/276

See application file for complete search history.

(56) **References Cited**

U.S. PATENT DOCUMENTS

2,798,245	A *	7/1957	Kesler	220/4.01
3,486,631	A *	12/1969	Rodman	211/41.18
4,135,660	A *	1/1979	Conn et al.	211/184
4,202,634	A *	5/1980	Kraft et al.	366/111
D265,126	S *	6/1982	Beall	D24/230
4,505,393	A *	3/1985	Fleigle et al.	211/41.1
4,643,303	A *	2/1987	Arp et al.	422/300
5,133,939	A *	7/1992	Mahe	422/562
5,169,603	A *	12/1992	Landsberger	422/566
D346,682	S *	5/1994	Trovato	D3/308
D374,936	S *	10/1996	Jakab	D24/217
5,632,388	A *	5/1997	Morrison et al.	211/74
6,048,503	A *	4/2000	Riley et al.	422/298

6,116,452	A *	9/2000	Hamel et al.	220/318
D441,457	S *	5/2001	Neiner et al.	D24/217
D458,448	S *	6/2002	Jakab	D3/276
6,468,482	B1 *	10/2002	Frieze et al.	422/300
D474,891	S *	5/2003	Huang	D3/309
D486,580	S *	2/2004	Abdel-Model	D24/229
6,745,895	B2 *	6/2004	Silvers	206/233
D557,814	S *	12/2007	Glenn et al.	D24/217
D579,117	S *	10/2008	Weiss et al.	D24/217

* cited by examiner

Primary Examiner — T. Chase Nelson

Assistant Examiner — Mark Cavanna

(74) *Attorney, Agent, or Firm* — Pandiscio & Pandiscio

(57) **CLAIM**

The ornamental design for sterilizing rack, as shown and described.

DESCRIPTION

FIG. 1 is a front, right side perspective view of the sterilizing rack;

FIG. 2 is a front, left side perspective view of the sterilizing rack;

FIG. 3 is a front elevational view of the sterilizing rack;

FIG. 4 is a rear elevational view of the sterilizing rack;

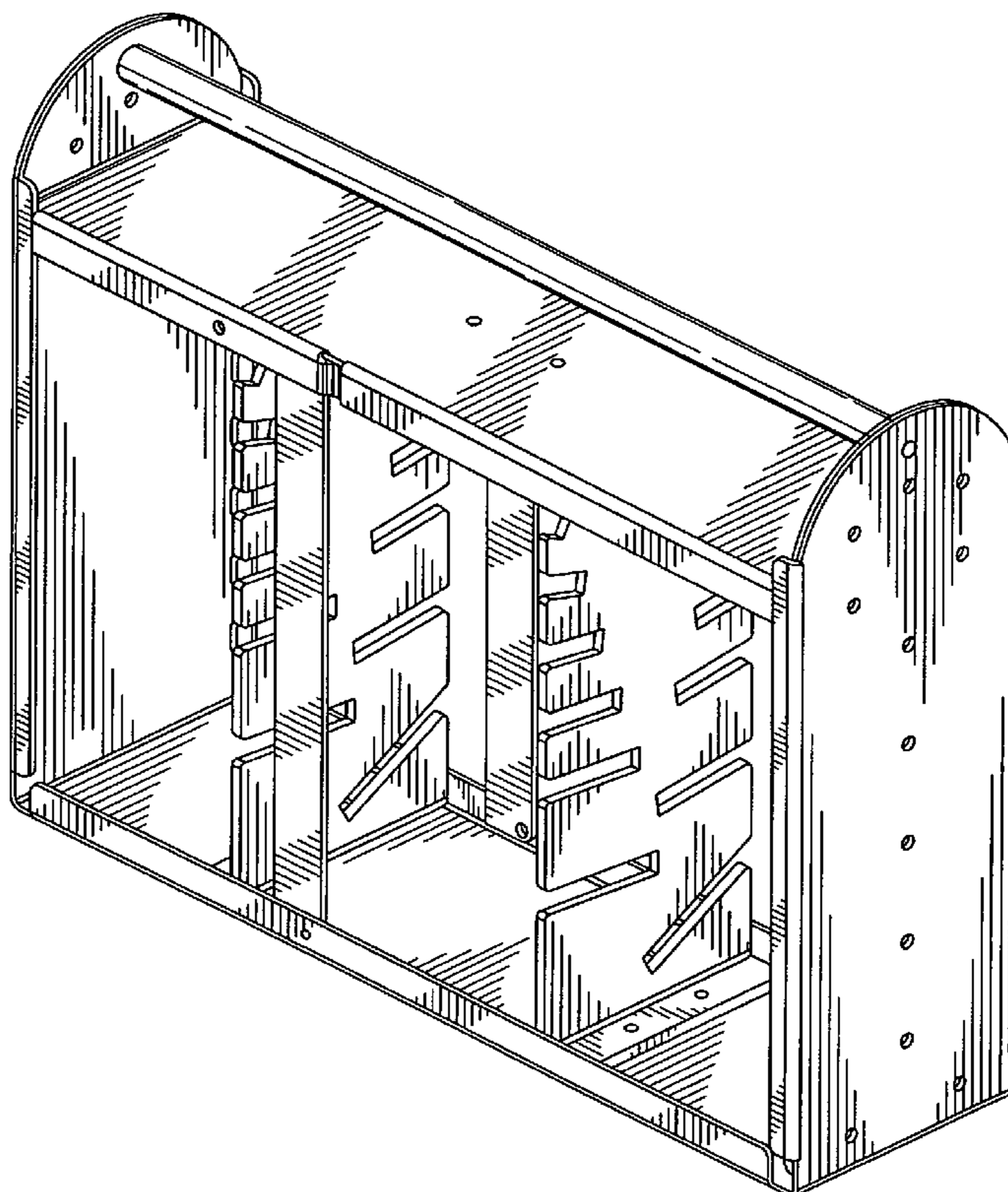
FIG. 5 is a top plan view of the sterilizing rack;

FIG. 6 is a bottom plan view of the sterilizing rack;

FIG. 7 is a right side elevational view of the sterilizing rack; and,

FIG. 8 is a left side elevational view of the sterilizing rack.

1 Claim, 8 Drawing Sheets



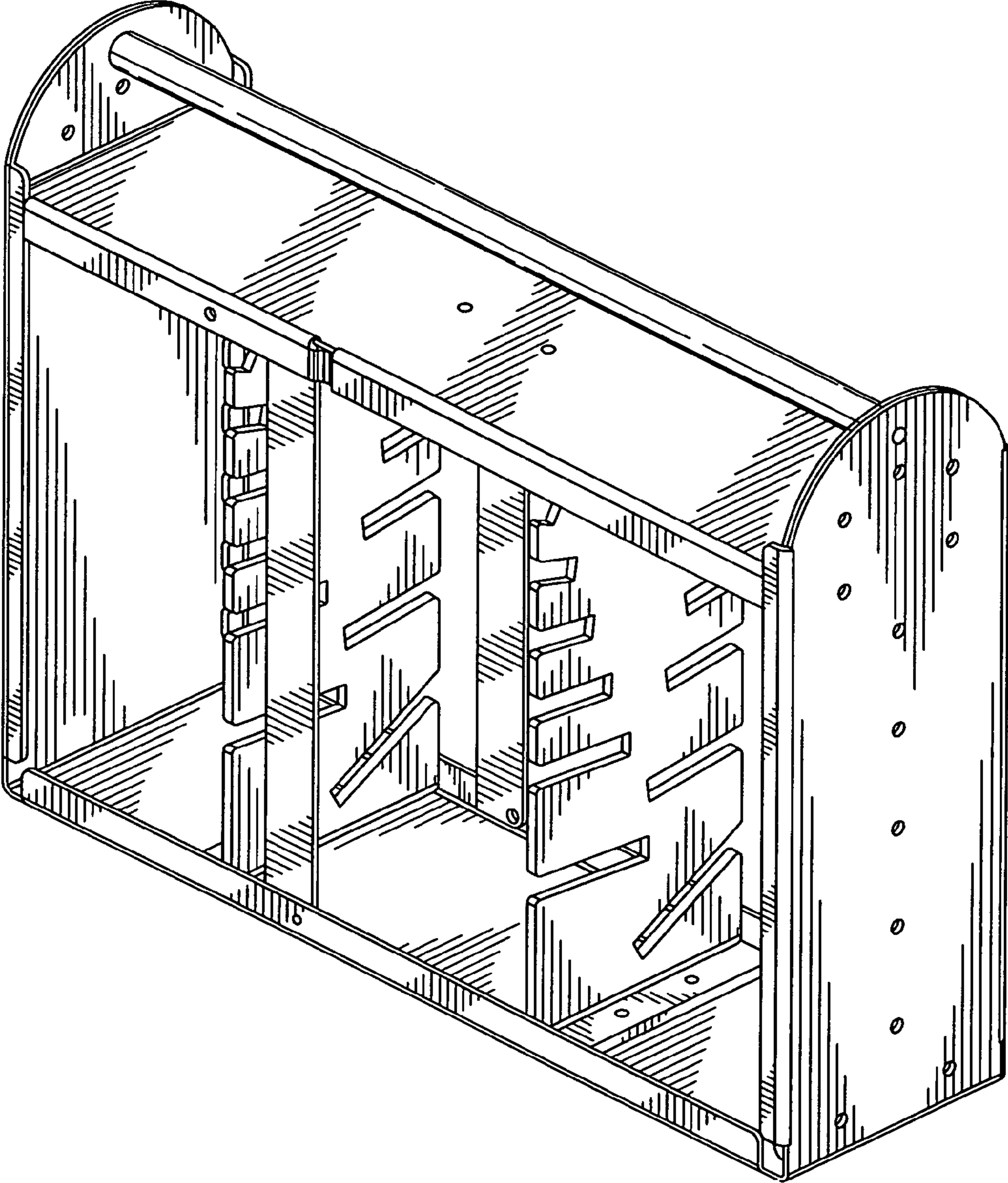


FIG. 1

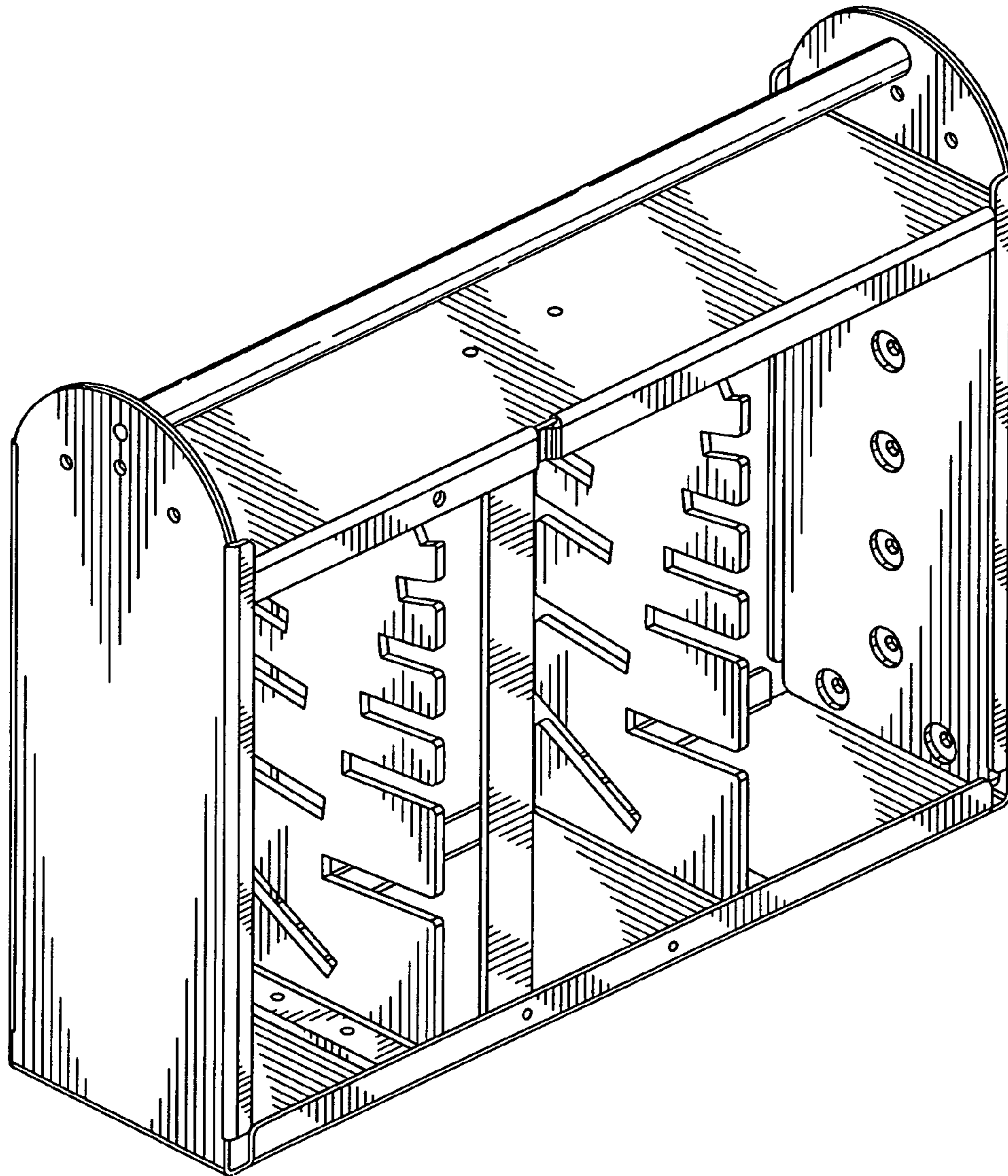


FIG. 2

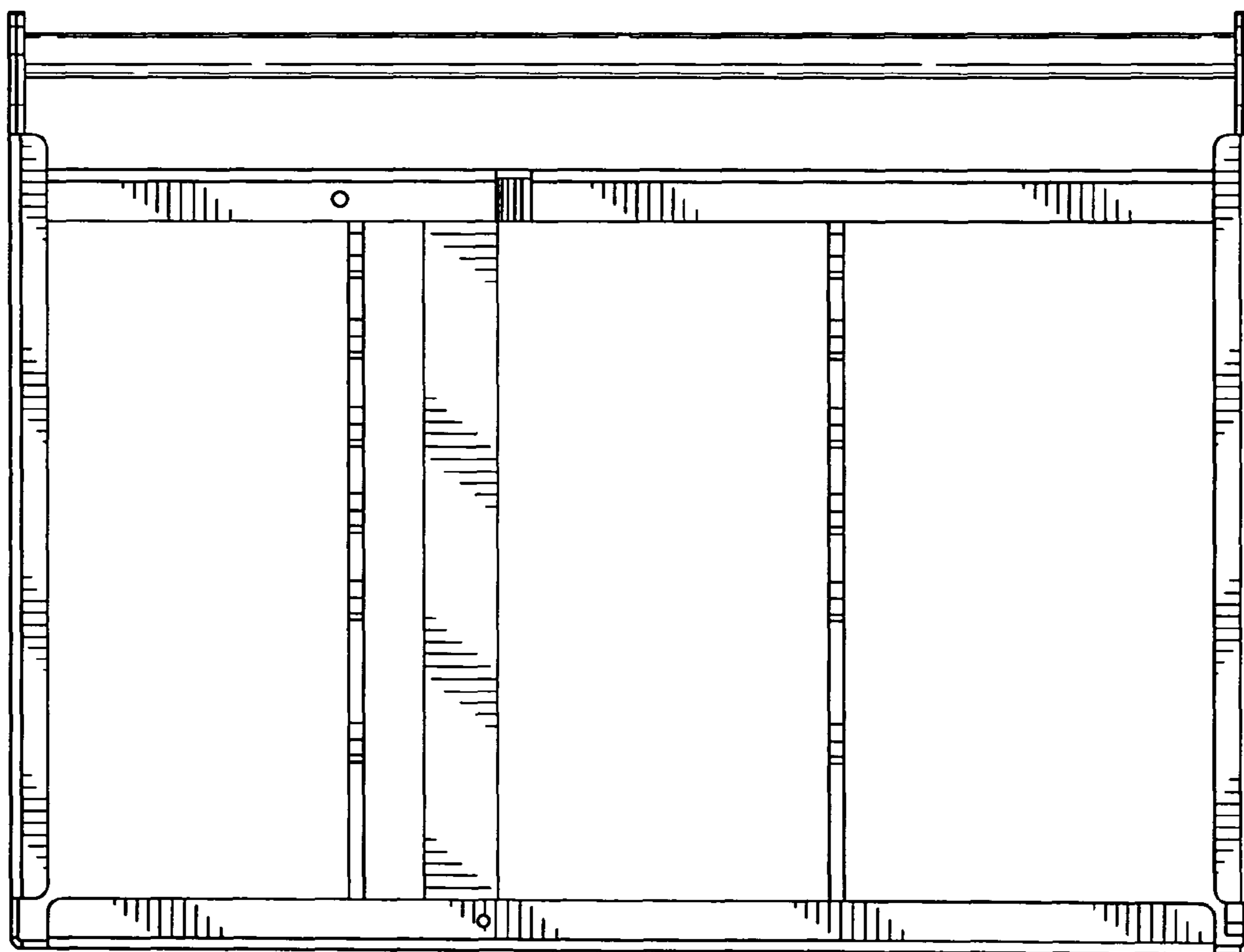


FIG. 3

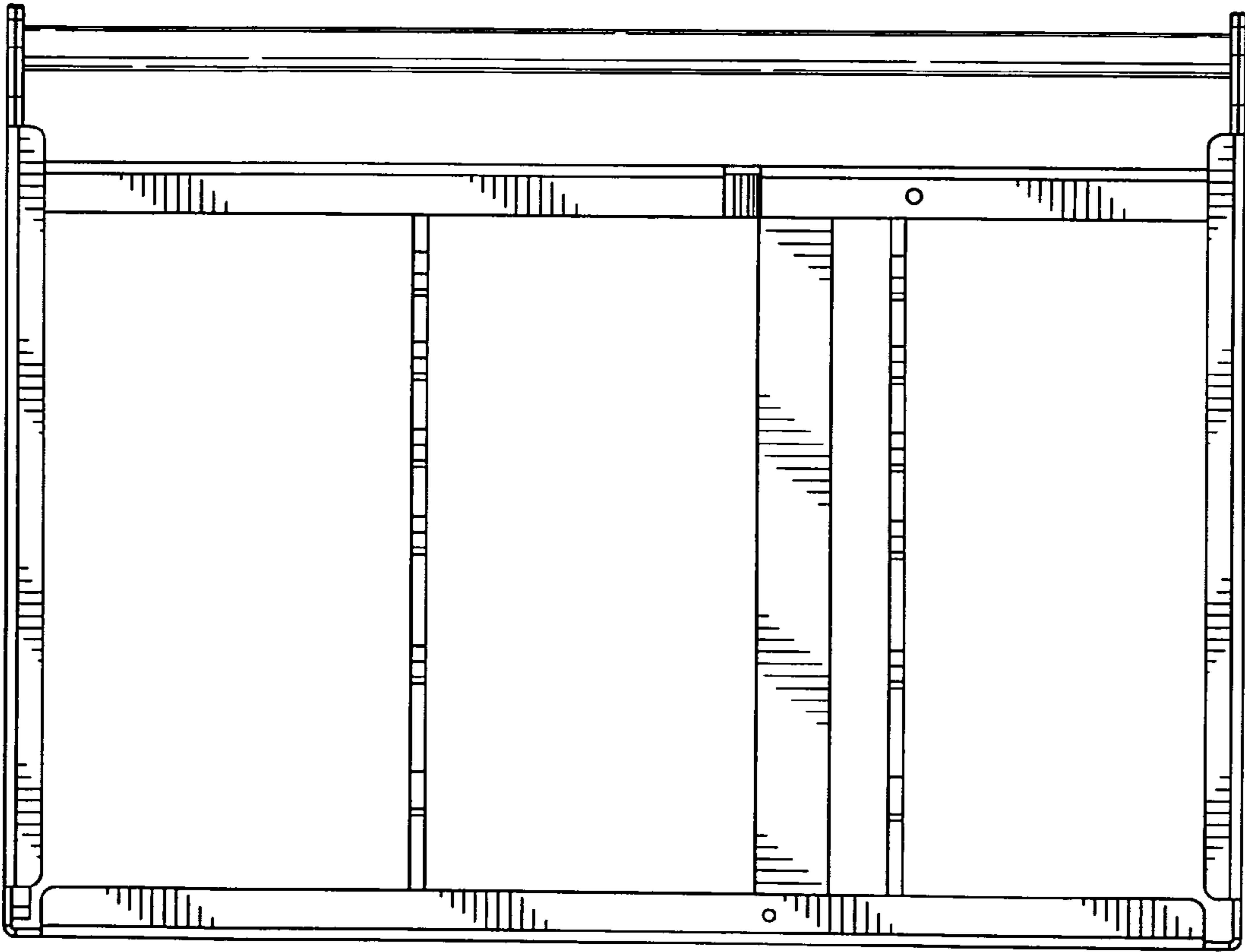


FIG. 4

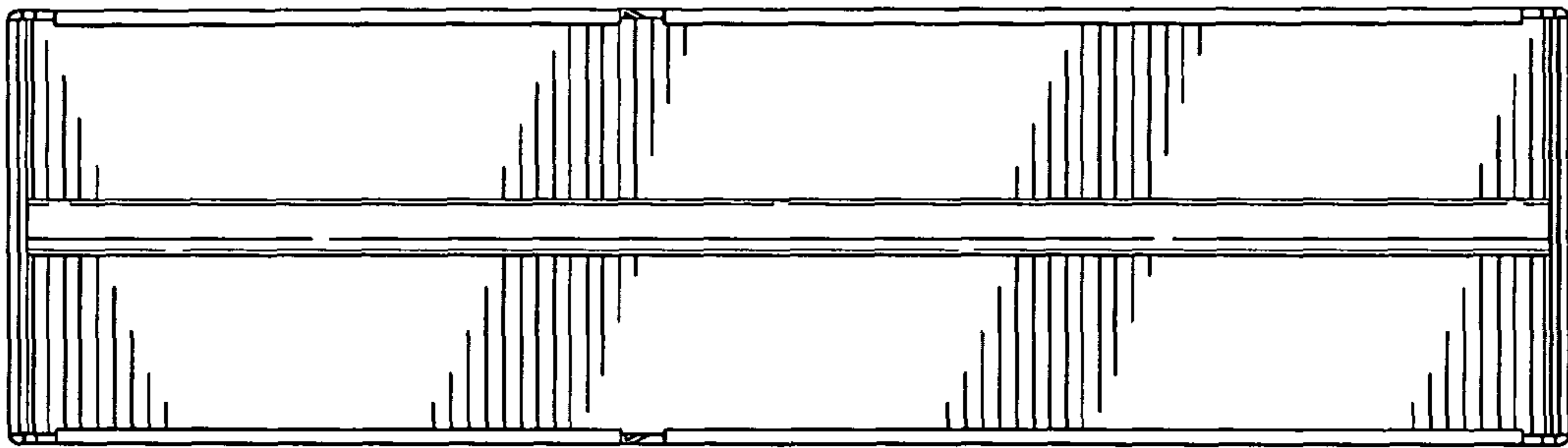


FIG. 5

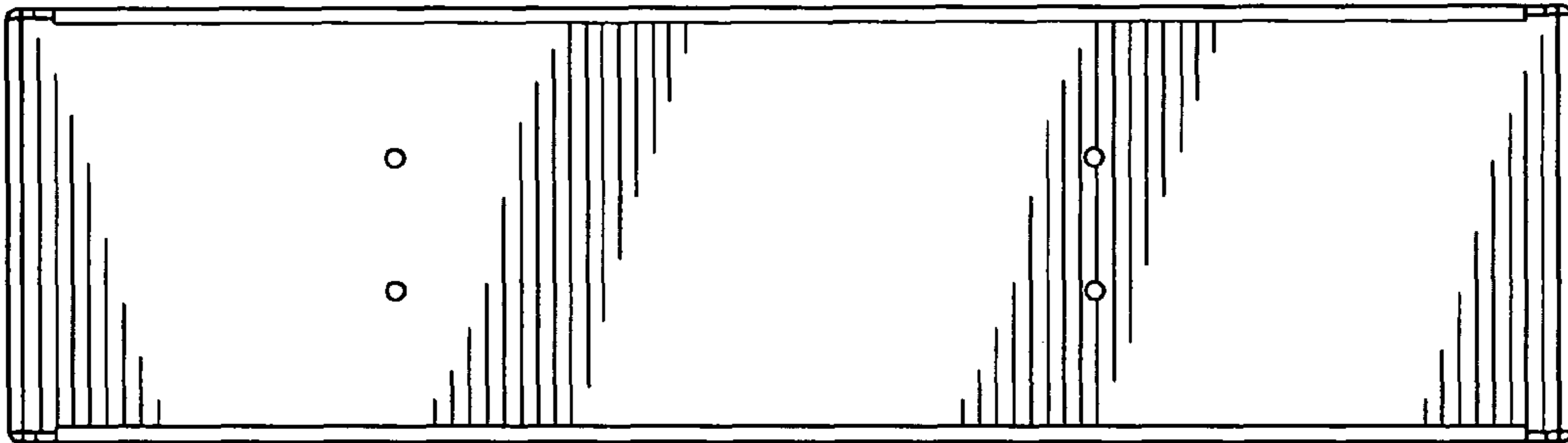


FIG. 6

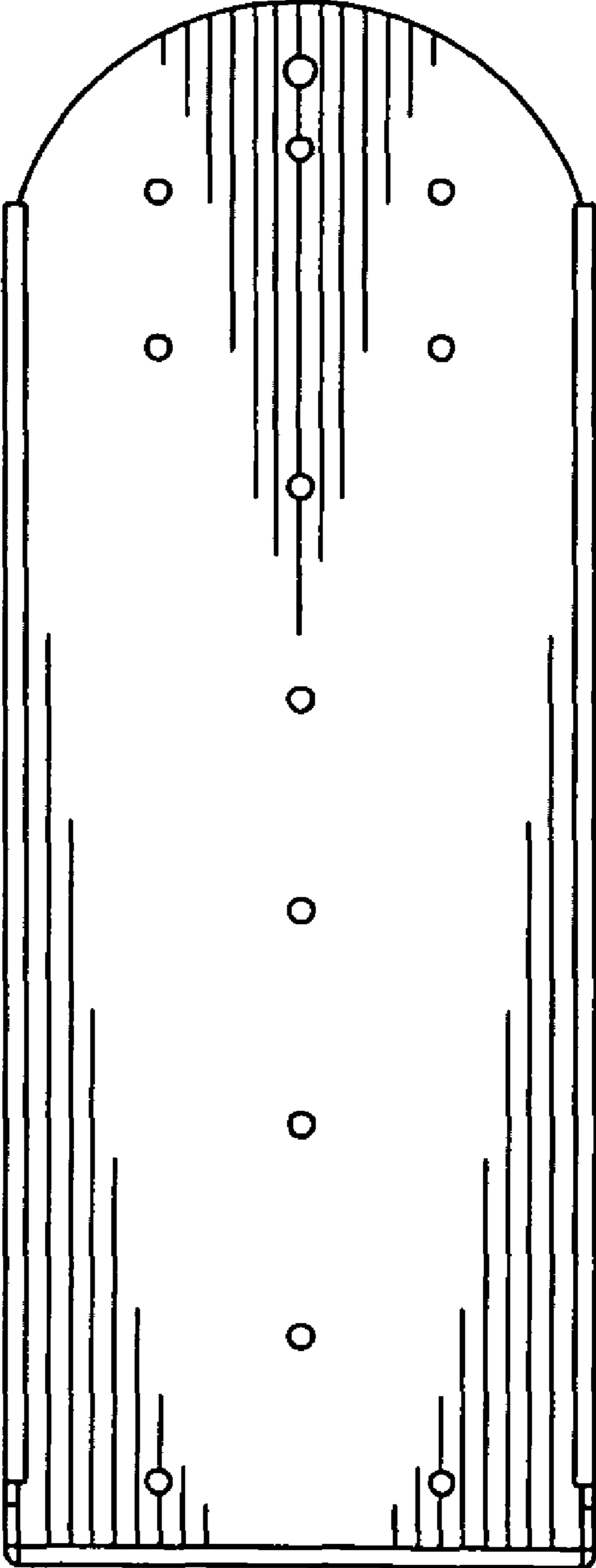


FIG. 7

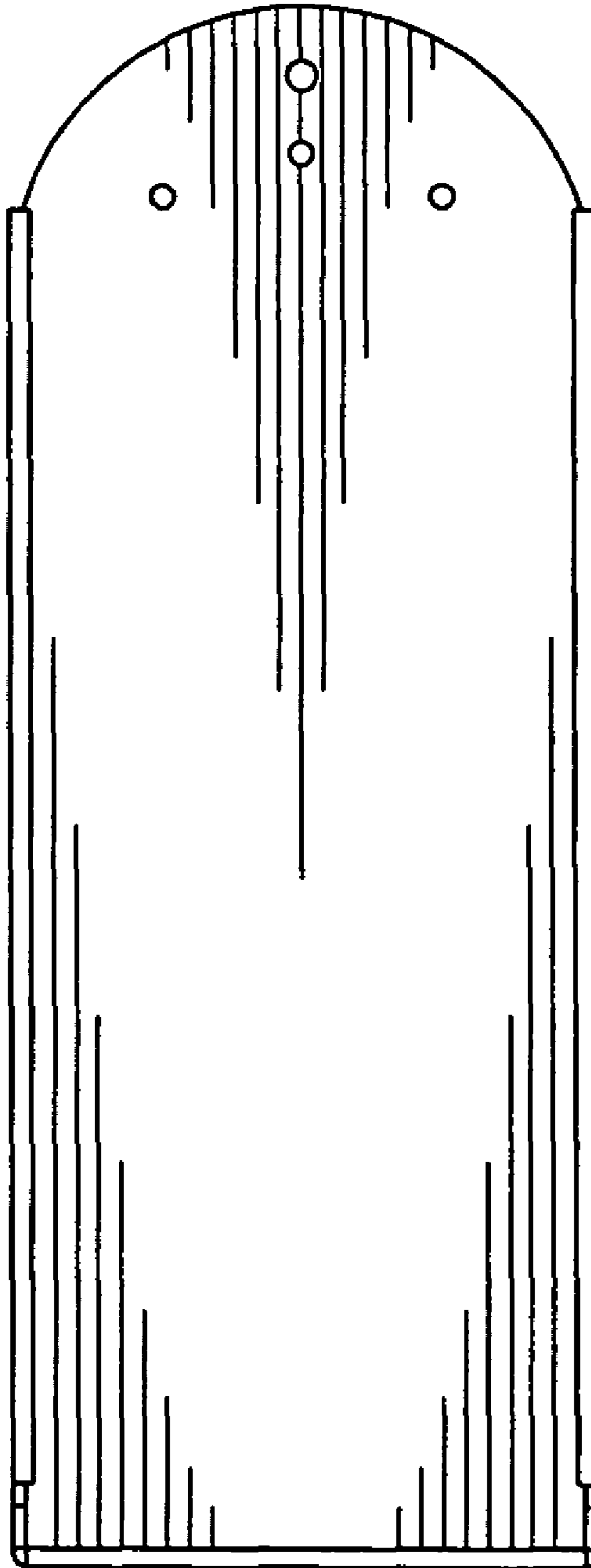


FIG. 8