



US00D658777S

(12) **United States Design Patent**
Sweet, II et al.

(10) **Patent No.:** **US D658,777 S**

(45) **Date of Patent:** **** May 1, 2012**

(54) **SURGICAL INSTRUMENT CASE**

(75) Inventors: **Ralph B. Sweet, II**, Warsaw, IN (US);
Jason M. Winterrowd, Columbia City,
IN (US); **Gregory S. Bell**, Warsaw, IN
(US)

(73) Assignee: **Zimmer, Inc.**, Warsaw, IN (US)

(**) Term: **14 Years**

(21) Appl. No.: **29/366,138**

(22) Filed: **Jul. 20, 2010**

(51) **LOC (9) Cl.** **24-01**

(52) **U.S. Cl.** **D24/217**

(58) **Field of Classification Search** D24/216,
D24/217, 218, 224-232, 186; D6/424, 425,
D6/432; D10/81; D3/203.1; D32/1, 25;
422/26, 297, 300, 301, 302; 206/363, 366,
206/370, 438, 443; 220/256.1, 805, 362

See application file for complete search history.

(56) **References Cited**

U.S. PATENT DOCUMENTS

D247,025	S	*	1/1978	Cherry	D9/424
D260,568	S	*	9/1981	Cherry	D3/314
D265,768	S	*	8/1982	Howley	D3/314
4,551,311	A	*	11/1985	Lorenz	422/300
4,798,292	A	*	1/1989	Hauze	206/439
D313,651	S	*	1/1991	Michelson	D24/217
5,441,707	A	*	8/1995	Lewis et al.	422/300
D415,284	S	*	10/1999	Grieco et al.	D24/217
D421,309	S	*	2/2000	Riley et al.	D24/217
6,048,503	A	*	4/2000	Riley et al.	422/298

D441,457	S	*	5/2001	Neiner et al.	D24/217
D530,824	S	*	10/2006	Bennison	D24/217
D537,950	S	*	3/2007	Haunschild et al.	D24/217
D557,814	S	*	12/2007	Glenn et al.	D24/217
D571,478	S	*	6/2008	Horacek	D24/217
D579,117	S	*	10/2008	Weiss et al.	D24/217
D608,015	S	*	1/2010	Sandel	D24/227
7,861,860	B2	*	1/2011	Bettenhausen et al.	206/370
2002/0071799	A1	*	6/2002	Wood	422/300
2006/0213794	A1	*	9/2006	Foreman et al.	422/300
2008/0000899	A1	*	1/2008	Baker et al.	220/4.27

* cited by examiner

Primary Examiner — Anhdao Doan

(74) *Attorney, Agent, or Firm* — Faegre Baker Daniels

(57) **CLAIM**

The ornamental design for a surgical instrument case, as shown and described.

DESCRIPTION

FIG. 1 is a perspective view illustrating the surgical instrument case of our new design;

FIG. 2 is a front end elevation view thereof;

FIG. 3 is a rear end elevation view thereof;

FIG. 4 is a right side elevation view thereof;

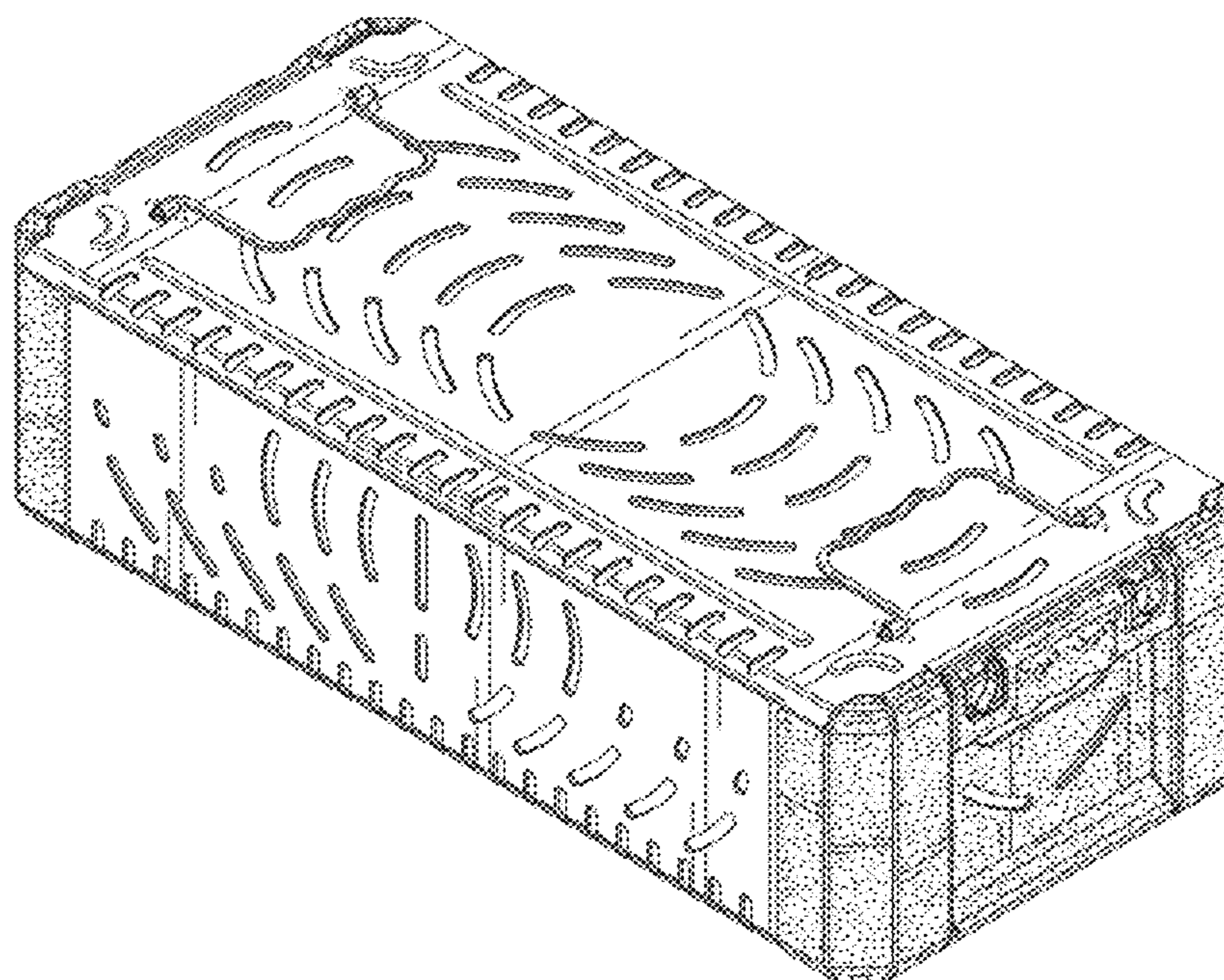
FIG. 5 is a left side elevation view thereof;

FIG. 6 is a top plan view thereof; and,

FIG. 7 is a bottom plan view thereof.

The broken lines in the drawing views are included for the purpose of illustrating portions of the surgical instrument case that form no part of the claimed design.

1 Claim, 6 Drawing Sheets



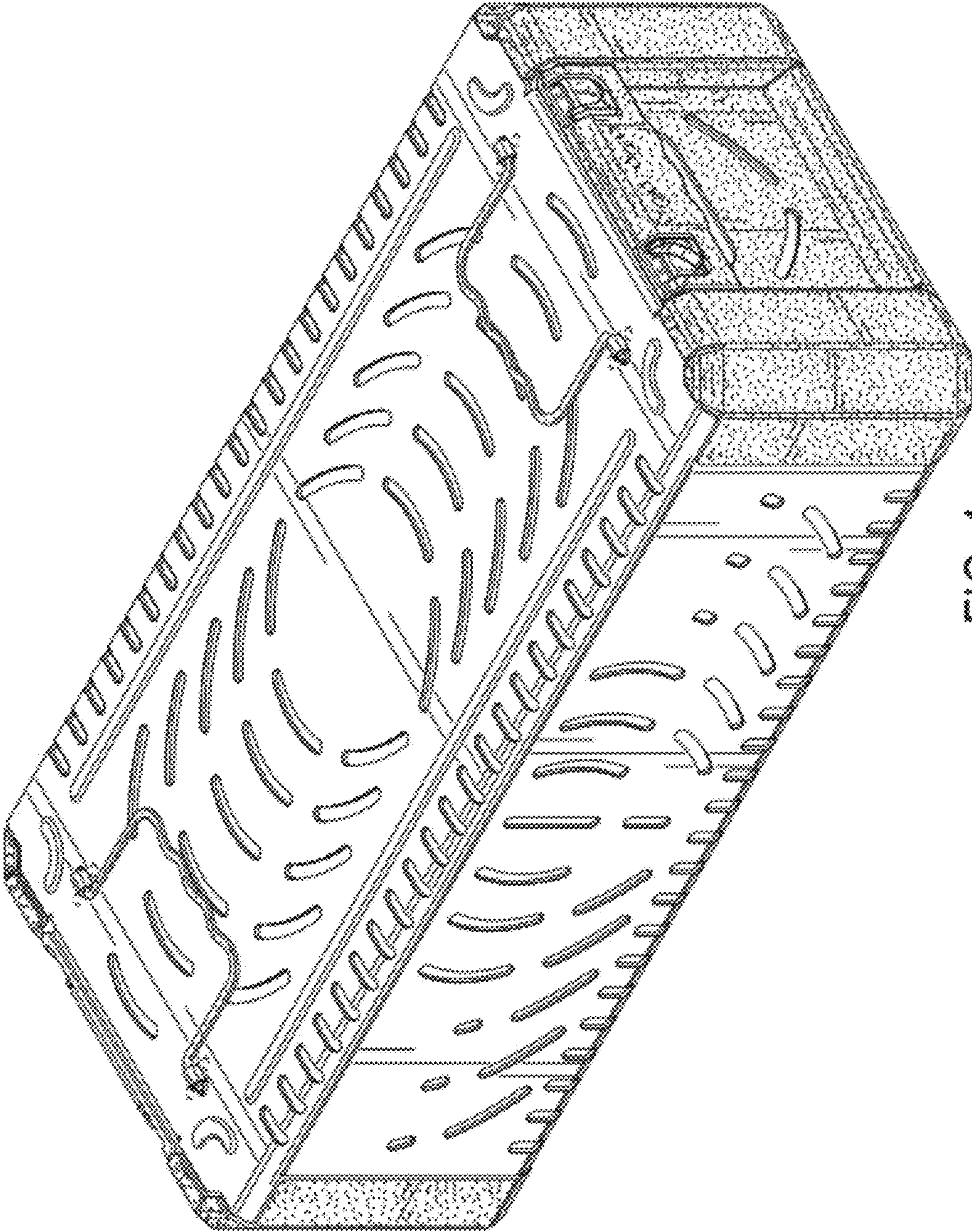


FIG. 1

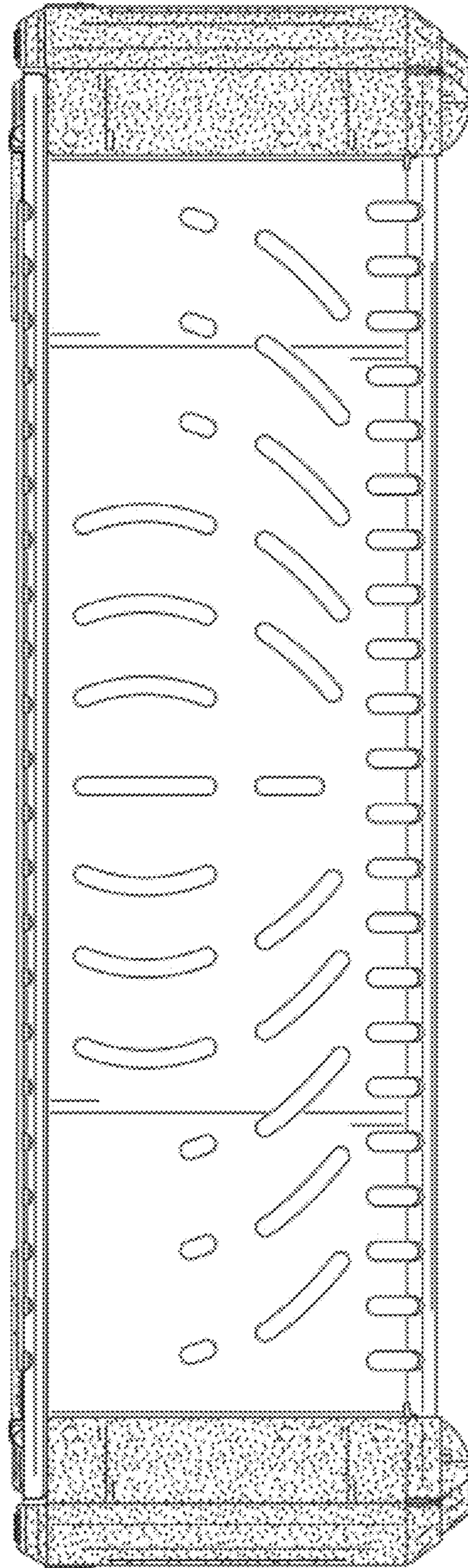


FIG. 2

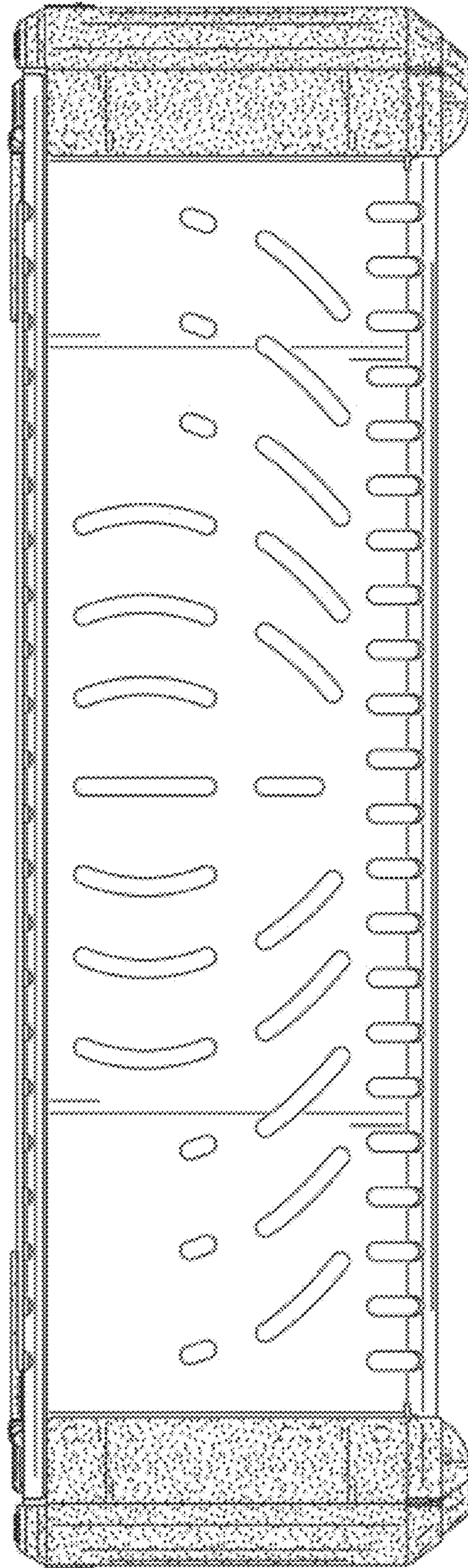


FIG. 3

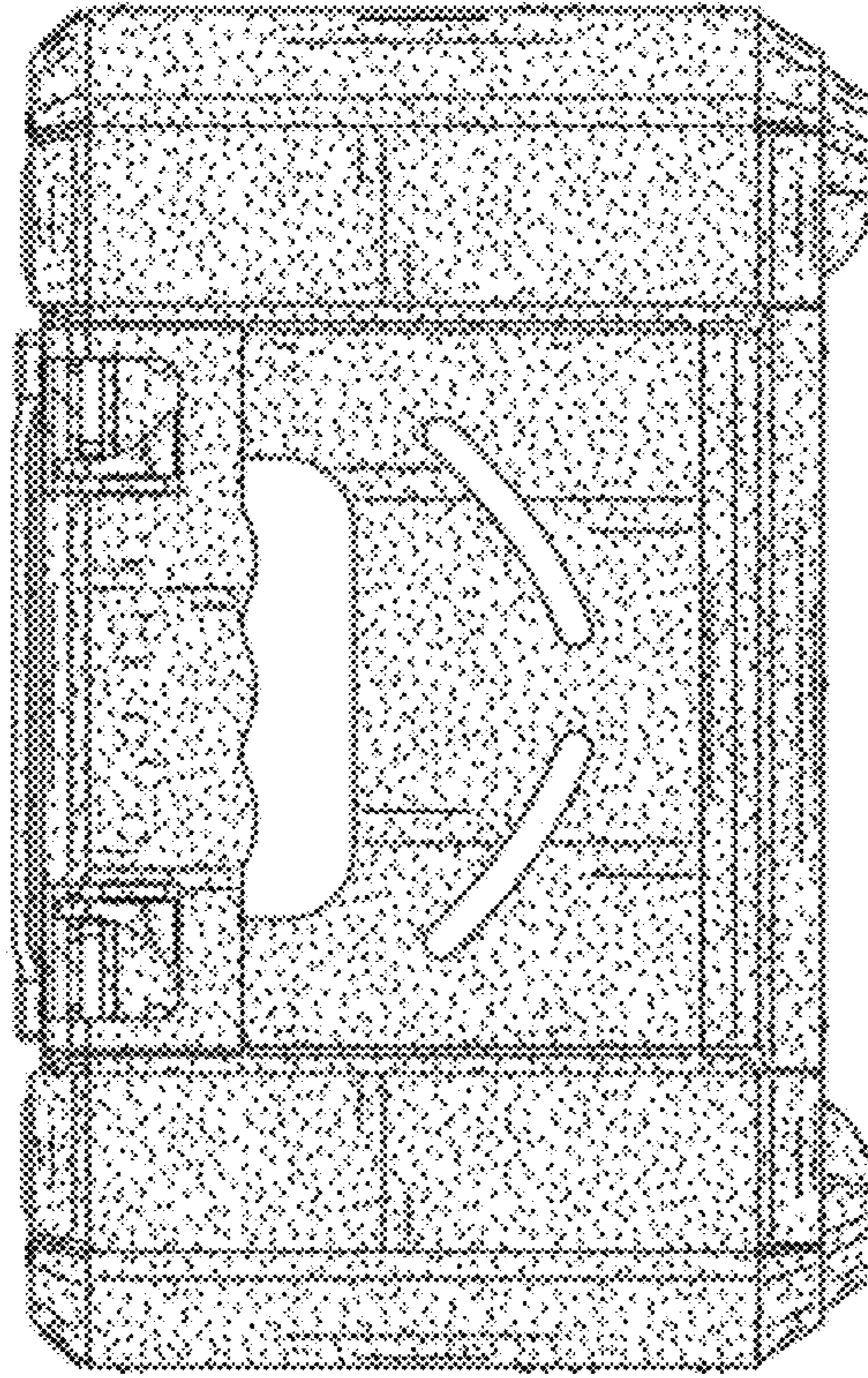


FIG. 5

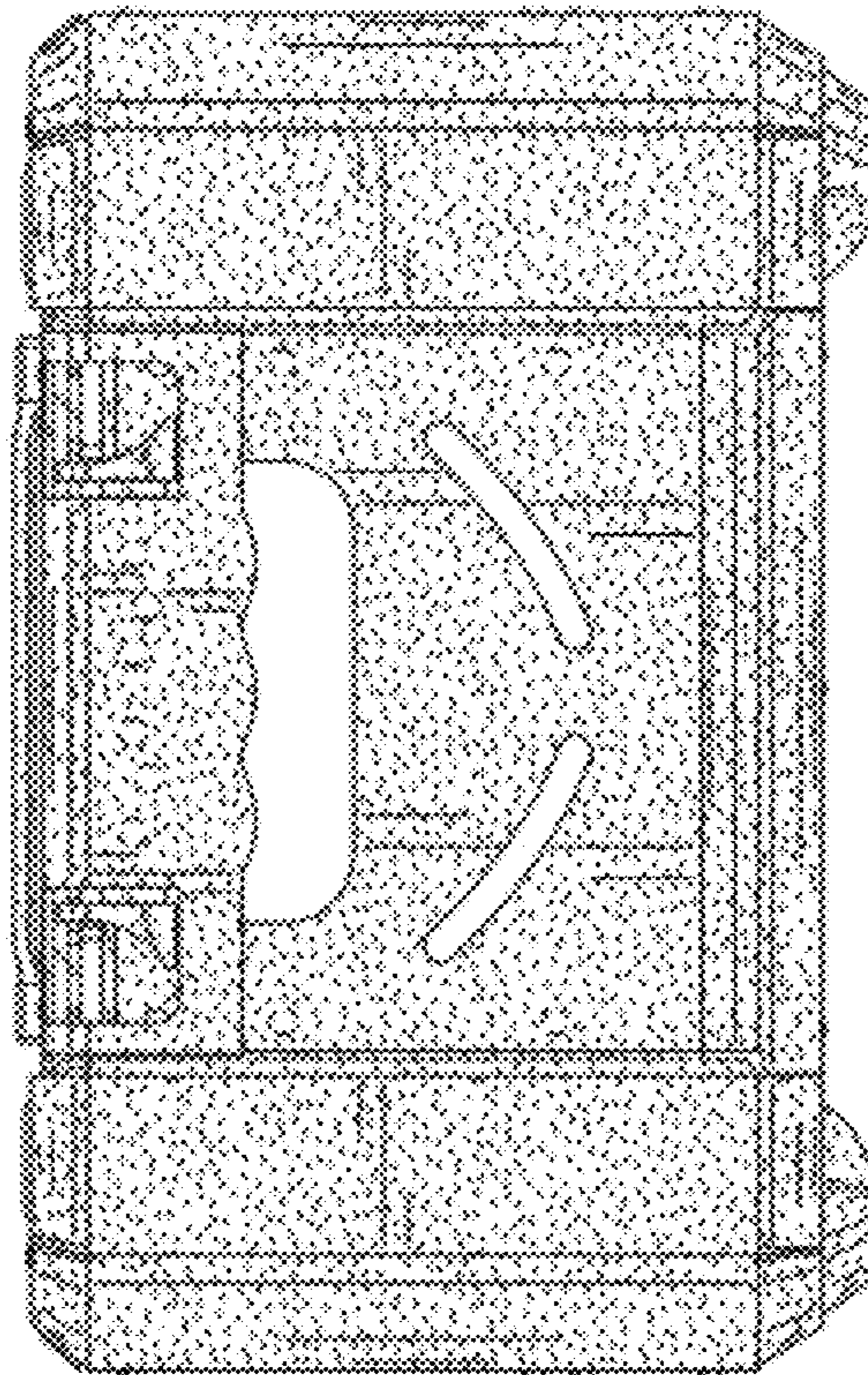


FIG. 4

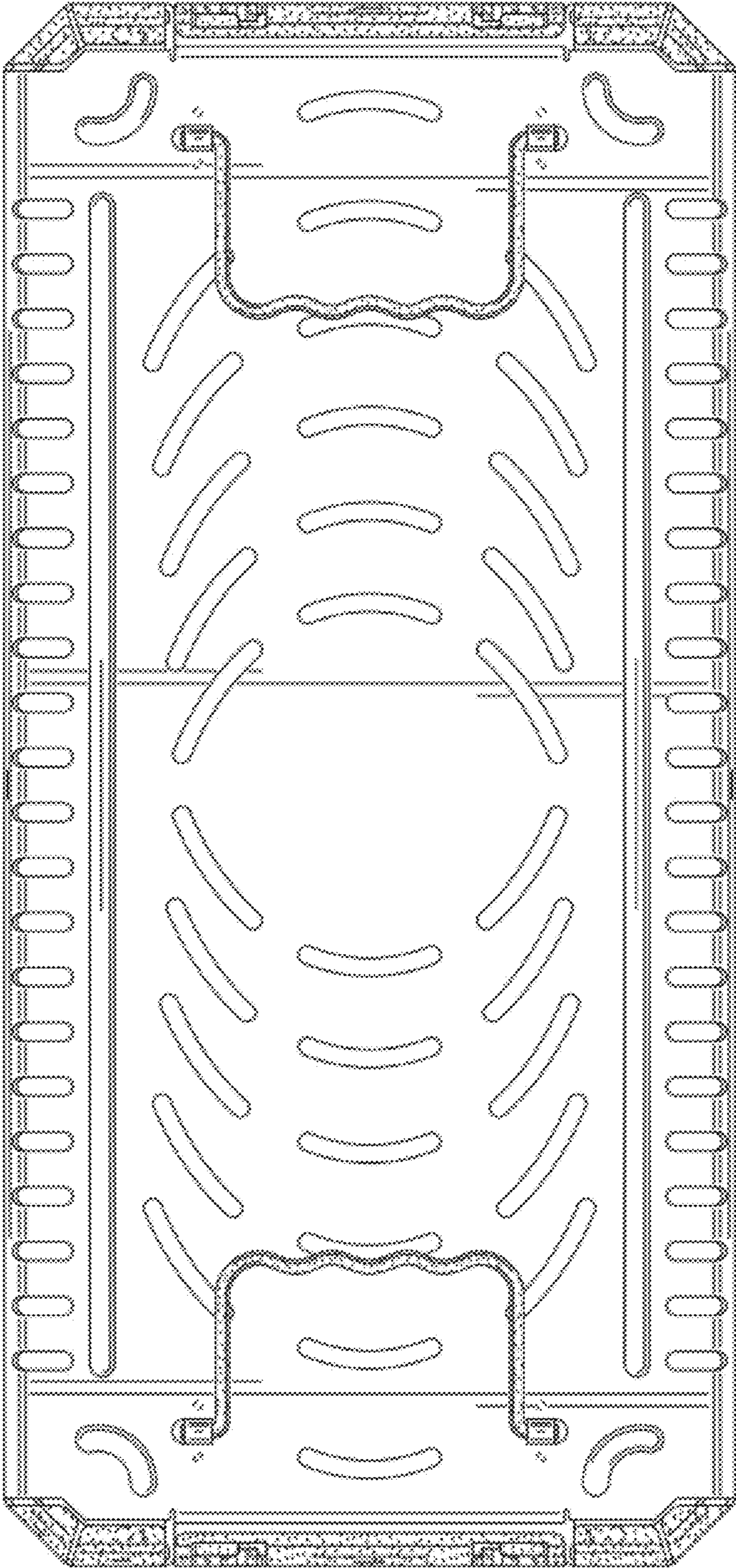


FIG. 6

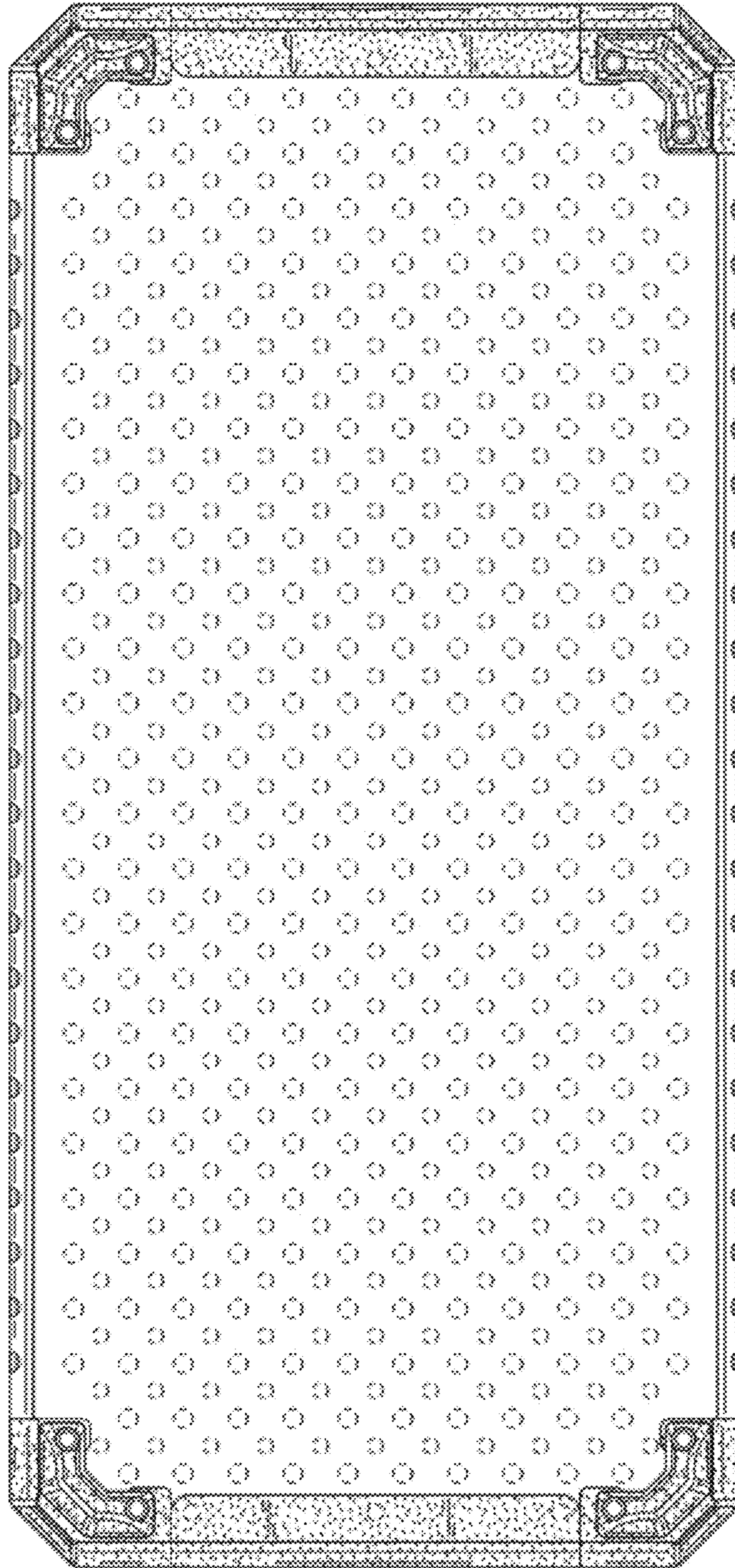


FIG. 7