



US00D658775S

(12) **United States Design Patent**
Jiangminhui

(10) **Patent No.:** **US D658,775 S**

(45) **Date of Patent:** **** May 1, 2012**

(54) **HAND HELD HEAT LIGHT**

(75) Inventor: **Juguijuan Jiangminhui**, Beijing (CN)

(73) Assignee: **Genesis Health Light Corporation**,
Hamilton, Ontario (CA)

(**) Term: **14 Years**

(21) Appl. No.: **29/385,490**

(22) Filed: **Feb. 15, 2011**

(51) **LOC (9) Cl.** **28-03**

(52) **U.S. Cl.** **D24/210; D26/50; D26/38; D24/206**

(58) **Field of Classification Search** D26/37,
D26/38, 46, 50, 51, 45; 362/157, 158, 183-189,
362/194-208; D24/206, 209, 210, 211; D28/13,
D28/15; 607/88-90, 636-99

See application file for complete search history.

D436,197 S * 1/2001 Hutchinson et al. D26/37
D438,314 S * 2/2001 Poon D26/38
D441,456 S * 5/2001 Thiberg D24/210
D443,708 S * 6/2001 Lynch et al. D26/46
D472,969 S * 4/2003 Wilden D24/133
D508,749 S * 8/2005 Osiecki et al. D26/46
D569,987 S * 5/2008 Oberreiter et al. D24/210
D618,816 S * 6/2010 Kubicki D24/209

* cited by examiner

Primary Examiner — Ian Simmons

Assistant Examiner — Carissa Fitts

(74) *Attorney, Agent, or Firm* — BainwoodHuang

(57) **CLAIM**

The ornamental design for a hand held heat light, as shown and described.

DESCRIPTION

FIG. 1 is a left side view of a hand held heat light, a right side view being a mirror image thereof;

FIG. 2 is a top view of the hand held heat light of FIG. 1;

FIG. 3 is a bottom view of the hand held heat light of FIG. 1;

FIG. 4 is a front view of the hand held heat light of FIG. 1;

FIG. 5 is a back view of the hand held heat light of FIG. 1; and,

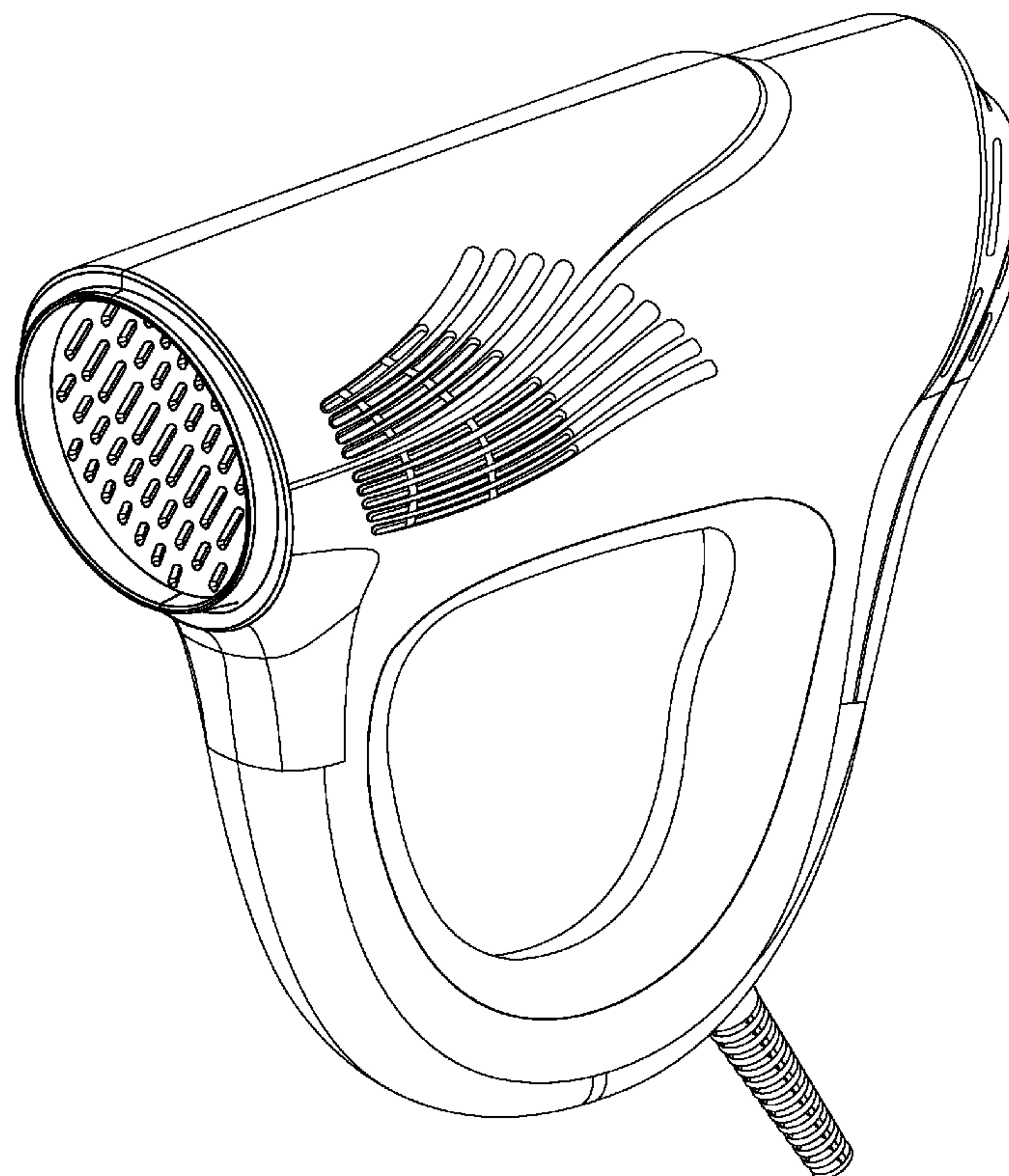
FIG. 6 is a front perspective view of the hand held heat light of FIG. 1.

1 Claim, 6 Drawing Sheets

(56) **References Cited**

U.S. PATENT DOCUMENTS

D148,982 S * 3/1948 Cruze D26/48
D241,368 S * 9/1976 Takano et al. D26/38
D254,633 S * 4/1980 Simmons D26/50
5,001,608 A * 3/1991 Kehrl et al. 362/19
D337,644 S * 7/1993 Stearns et al. D26/48
D387,349 S * 12/1997 Yuen D14/168
D400,258 S * 10/1998 Bolleter D24/210
D426,659 S * 6/2000 Lee D26/38
D432,659 S * 10/2000 Bolleter D24/210



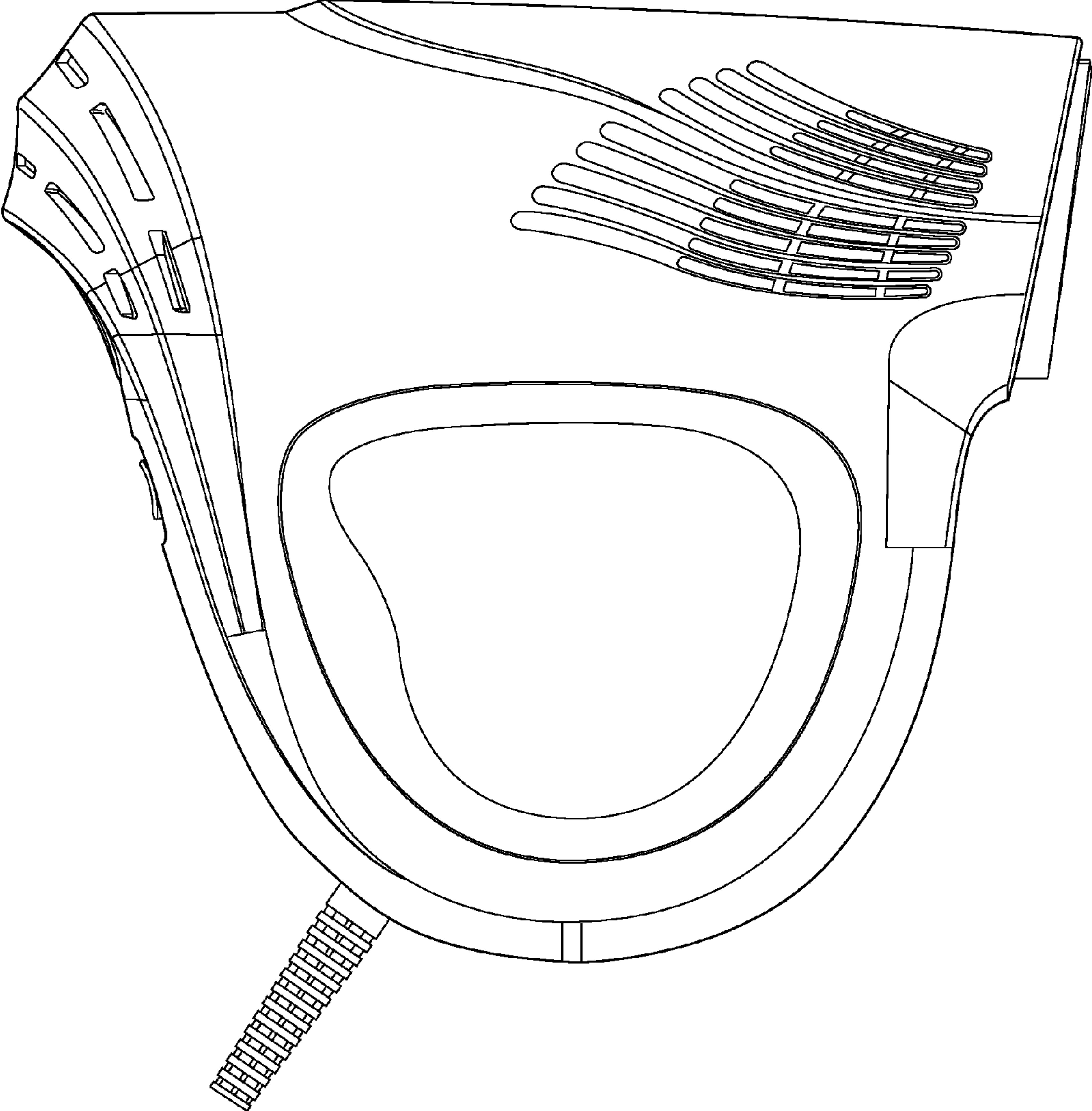


FIG. 1

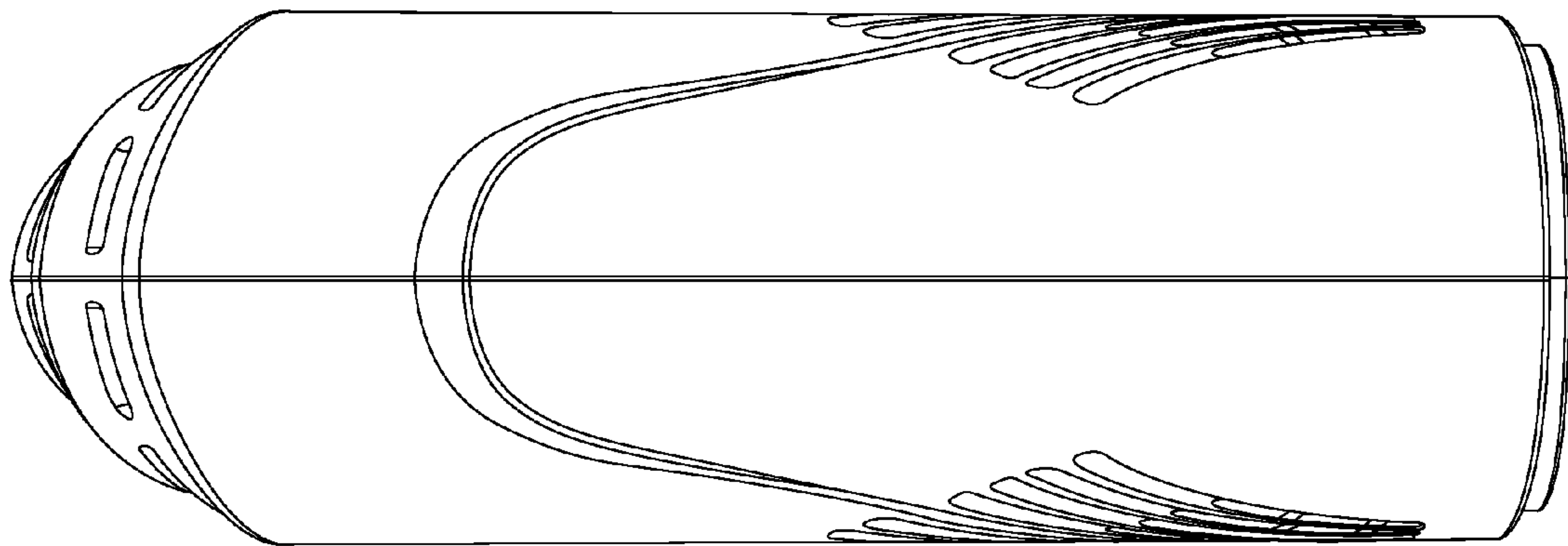


FIG. 2

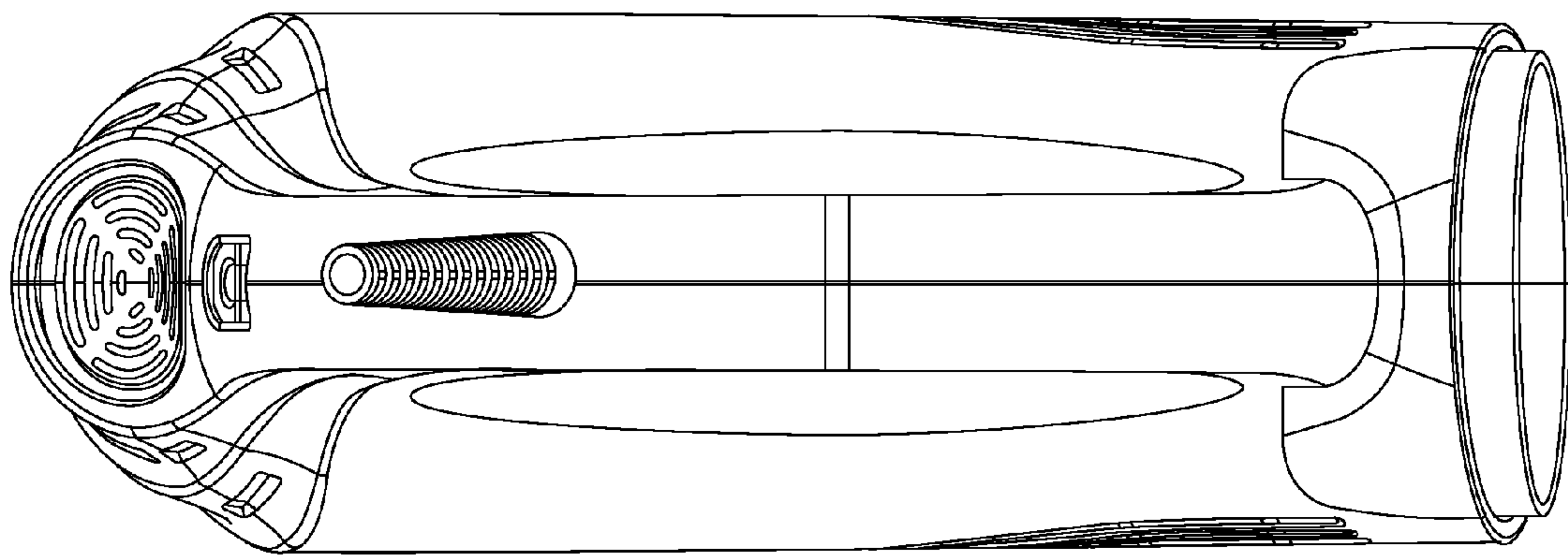


FIG. 3

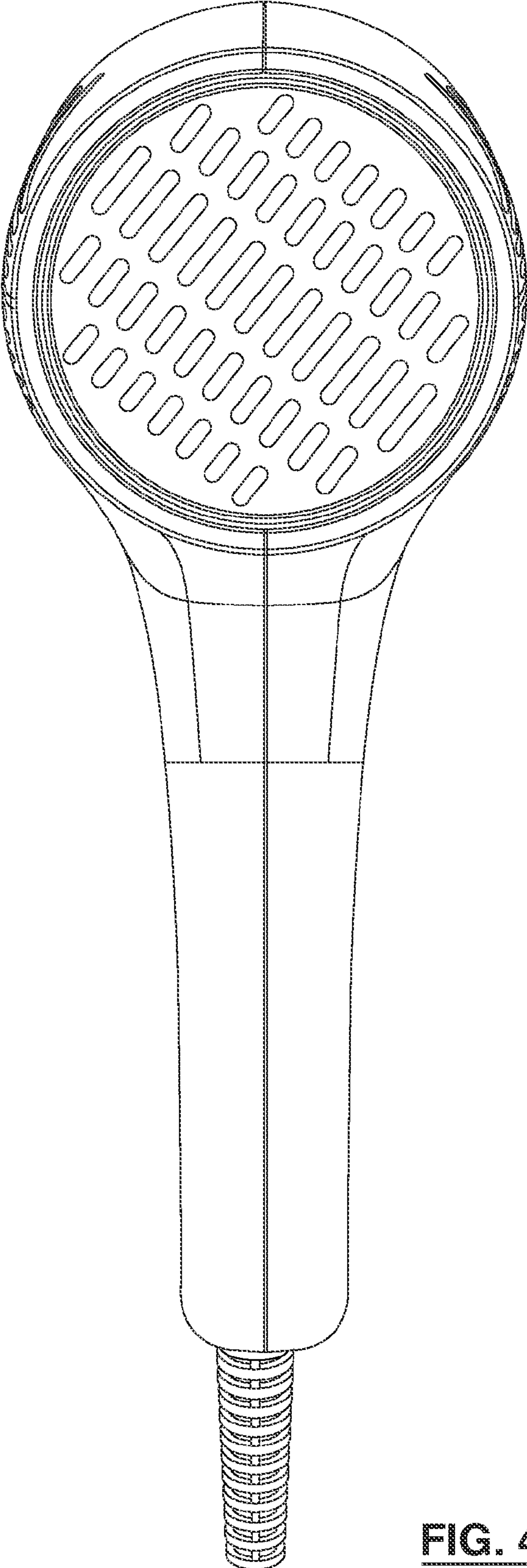


FIG. 4

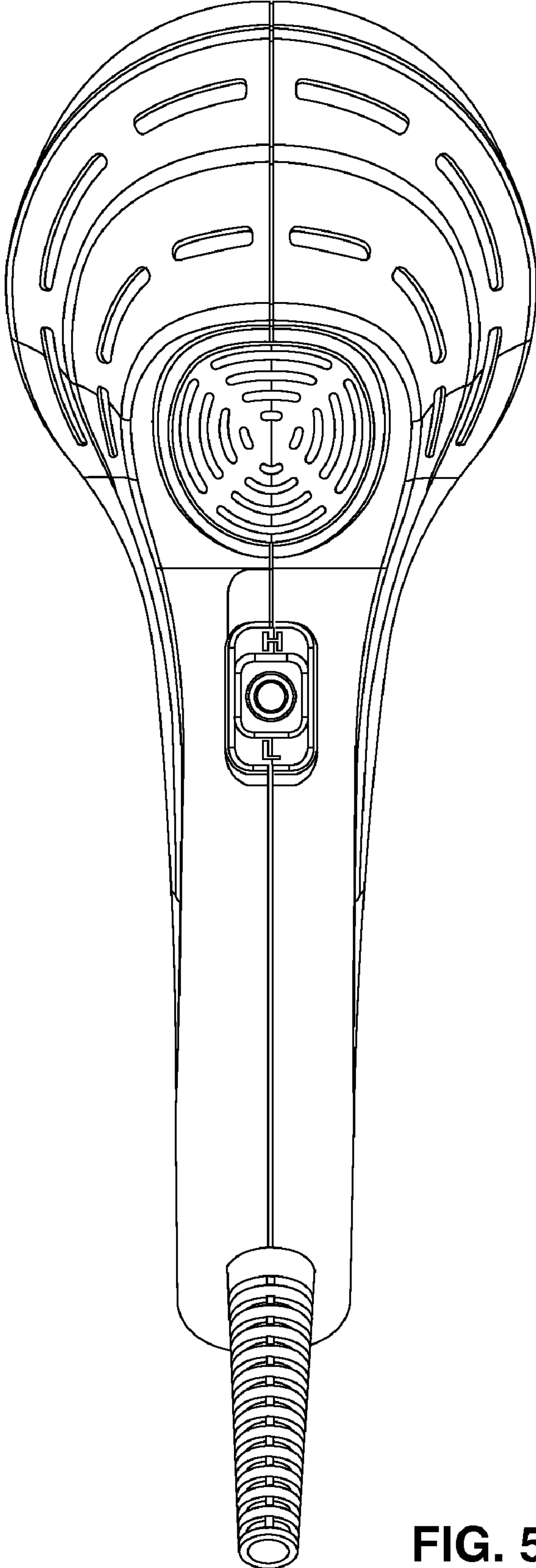


FIG. 5

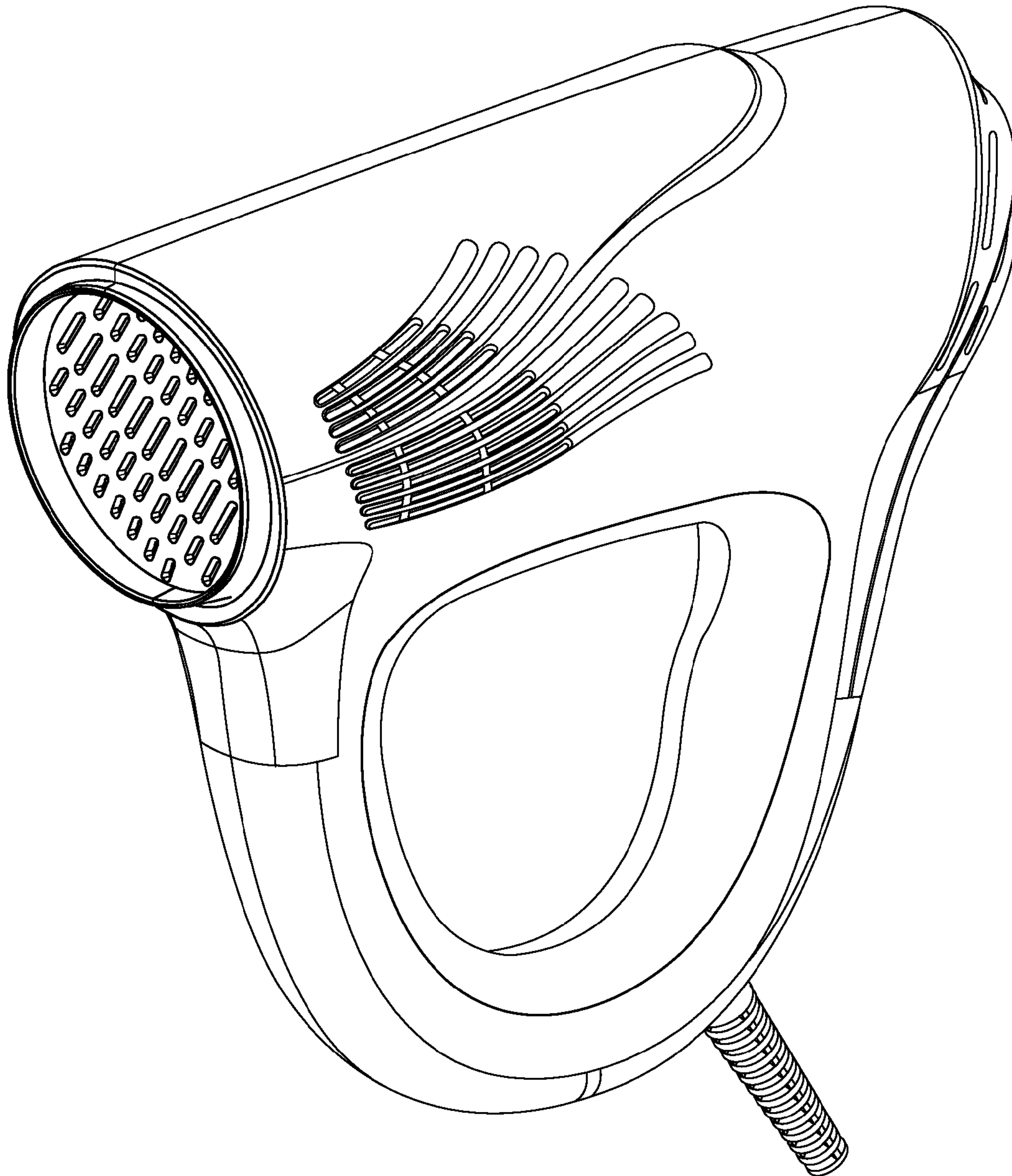


FIG. 6