



US00D658774S

(12) **United States Design Patent**
Wiley et al.

(10) **Patent No.:** **US D658,774 S**
(45) **Date of Patent:** **** May 1, 2012**

(54) **OVAL SPA SEAT**

(75) Inventors: **Brian K. Wiley**, Redington Beach, FL (US); **Brad Glover**, St. Petersburg Beach, FL (US)

(73) Assignee: **Premium Sales Network, LLC**, Lakeland, FL (US)

(**) Term: **14 Years**

(21) Appl. No.: **29/389,087**

(22) Filed: **Apr. 6, 2011**

Related U.S. Application Data

(63) Continuation-in-part of application No. 29/366,879, filed on Jul. 30, 2010.

(51) **LOC (9) Cl.** **23-02**

(52) **U.S. Cl.** **D24/204**

(58) **Field of Classification Search** D24/201, D24/204, 205; D23/277, 278, 276, 280.1-280.3; 601/154-158; 4/541.1-541.6, 547, 578.1, 4/579

See application file for complete search history.

(56) **References Cited**

U.S. PATENT DOCUMENTS

D274,167 S *	6/1984	Lyne	D23/278
D350,597 S *	9/1994	Wise	D23/278
D350,598 S *	9/1994	Wise et al.	D23/278
D449,382 S *	10/2001	Collins et al.	D24/204
6,543,067 B2 *	4/2003	Eddington et al.	4/541.1
D482,126 S *	11/2003	Walker	D24/204

7,082,625 B2 *	8/2006	Cox	4/541.1
D527,827 S *	9/2006	Spicer	D24/204
D547,877 S *	7/2007	Walker	D24/204
D565,190 S *	3/2008	Lenci	D24/204
D573,261 S *	7/2008	Tatum	D24/204
D589,624 S *	3/2009	Larsen	D24/204
D590,951 S *	4/2009	Larsen	D24/204
D616,104 S *	5/2010	Larsen et al.	D24/204
D616,105 S *	5/2010	Larsen et al.	D24/204
D616,106 S *	5/2010	Larsen et al.	D24/204
D620,599 S *	7/2010	Larsen et al.	D24/204
D621,946 S *	8/2010	Larsen et al.	D24/204
D621,947 S *	8/2010	Larsen et al.	D24/204

* cited by examiner

Primary Examiner — David Muller

(74) *Attorney, Agent, or Firm* — Robert Varkonyi; Jeremy Spier; Smith & Hopen, P.A.

(57) **CLAIM**

The ornamental design for an oval spa seat, as substantially shown and described.

DESCRIPTION

FIG. 1 is an upper perspective view of the oval spa seat design, shown in the environment of a spa, the spa being shown in broken lines;

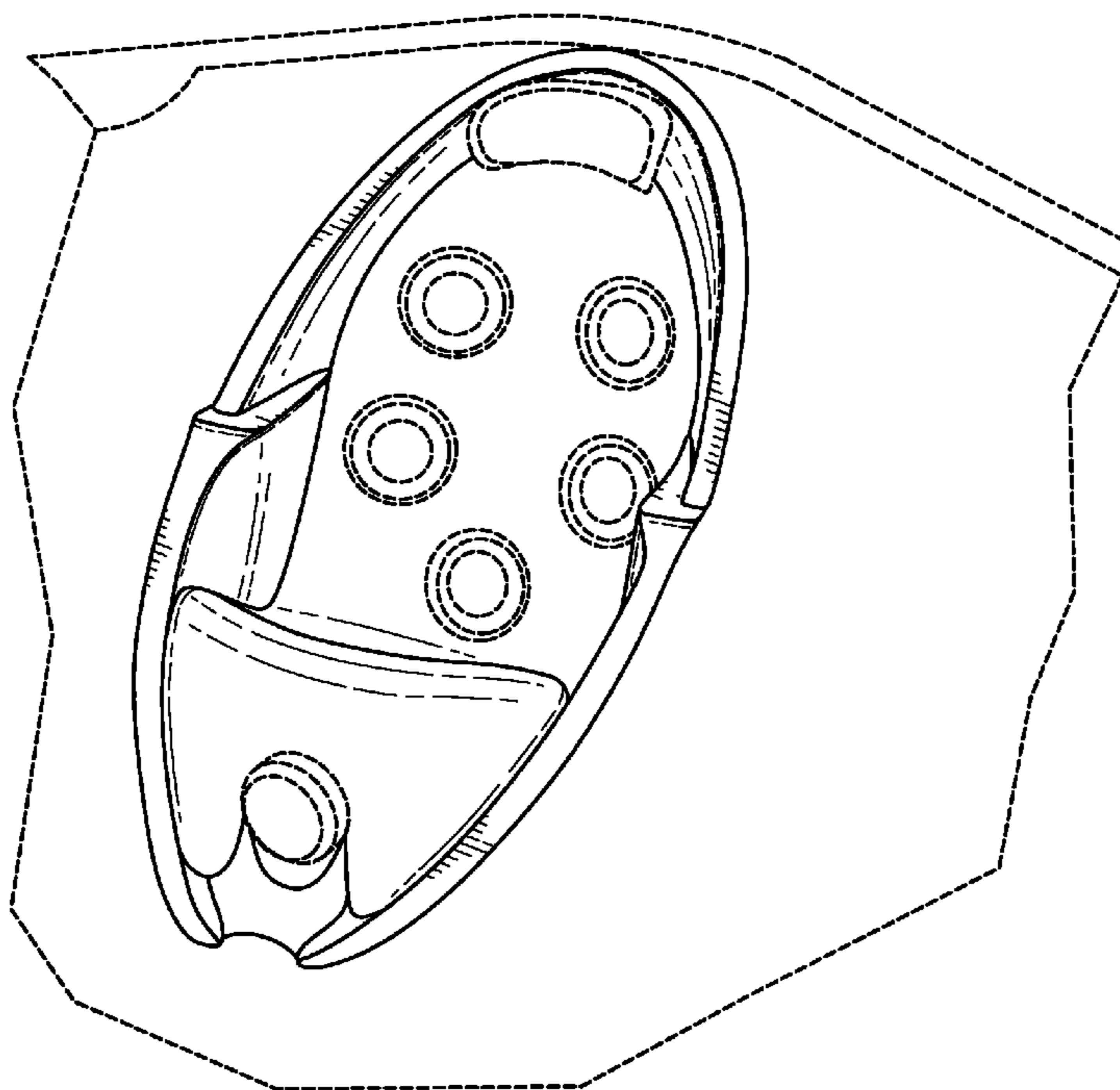
FIG. 2 is a top plan view thereof;

FIG. 3 is a cross-sectional view thereof, taken along line 3-3 of FIG. 2; and,

FIG. 4 is a cross-sectional view thereof, taken along line 4-4 of FIG. 2.

The matter delineated in broken lines forms no part of the claimed ornamental design.

1 Claim, 3 Drawing Sheets



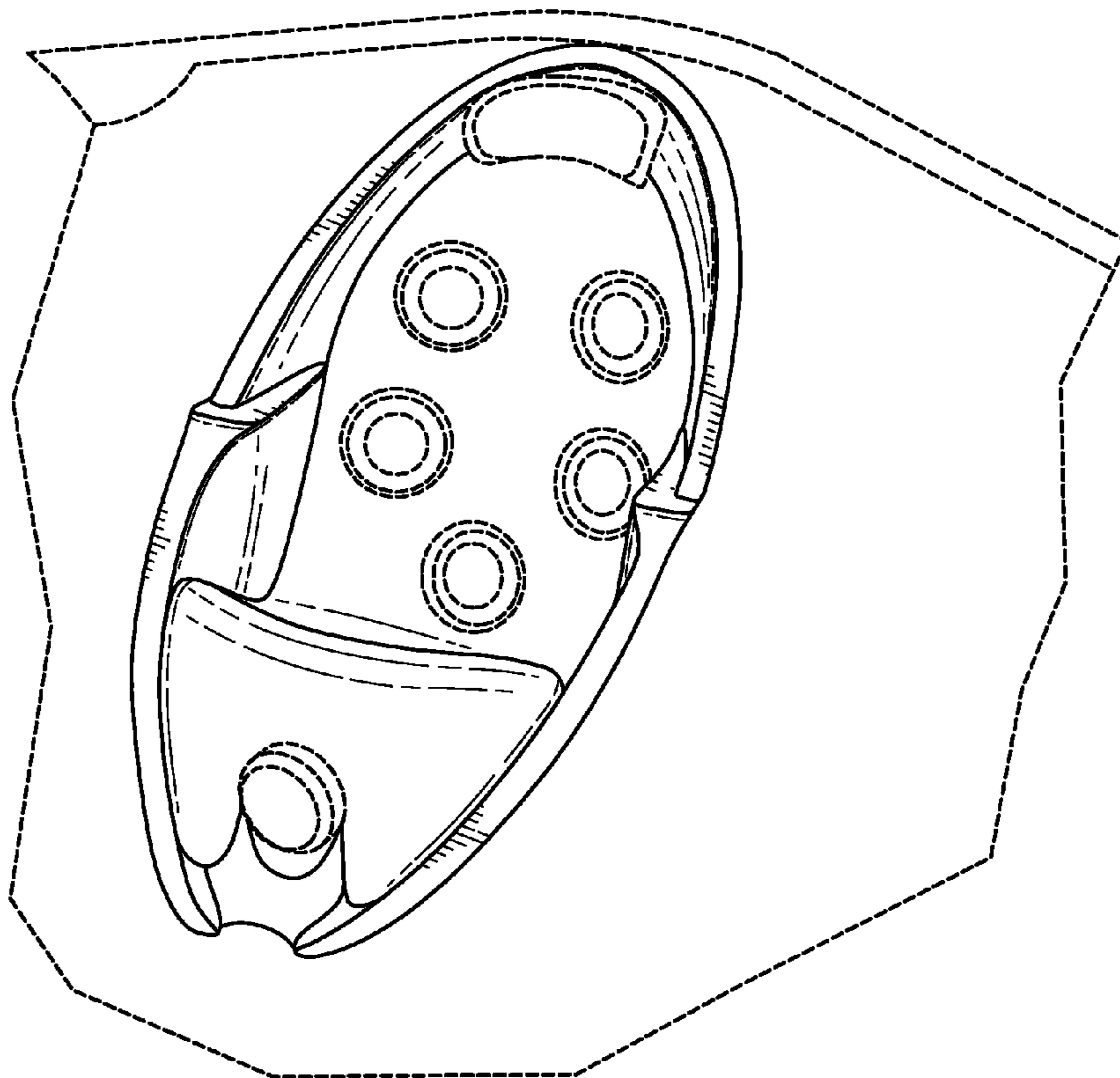


FIG. 1

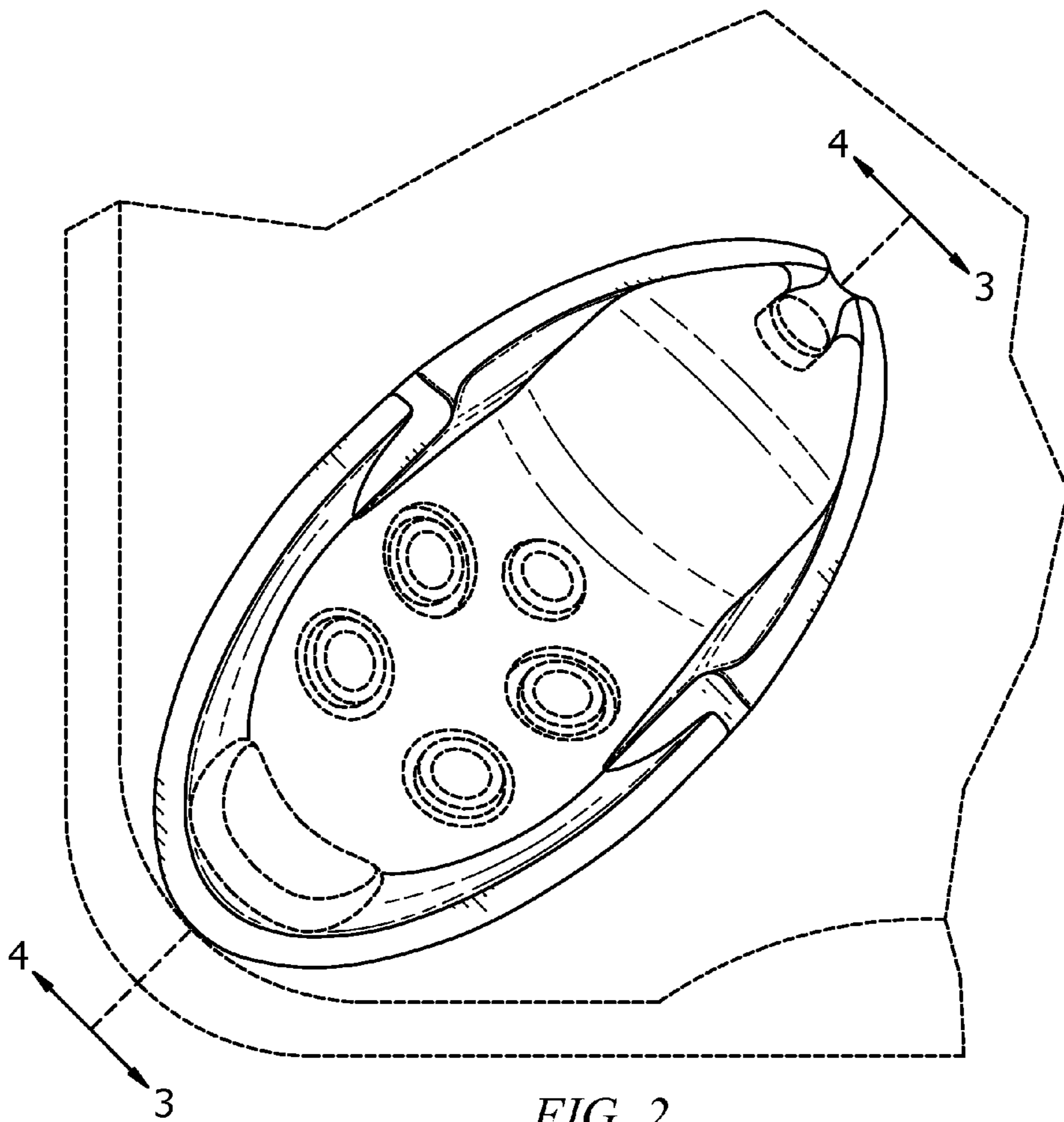


FIG. 2

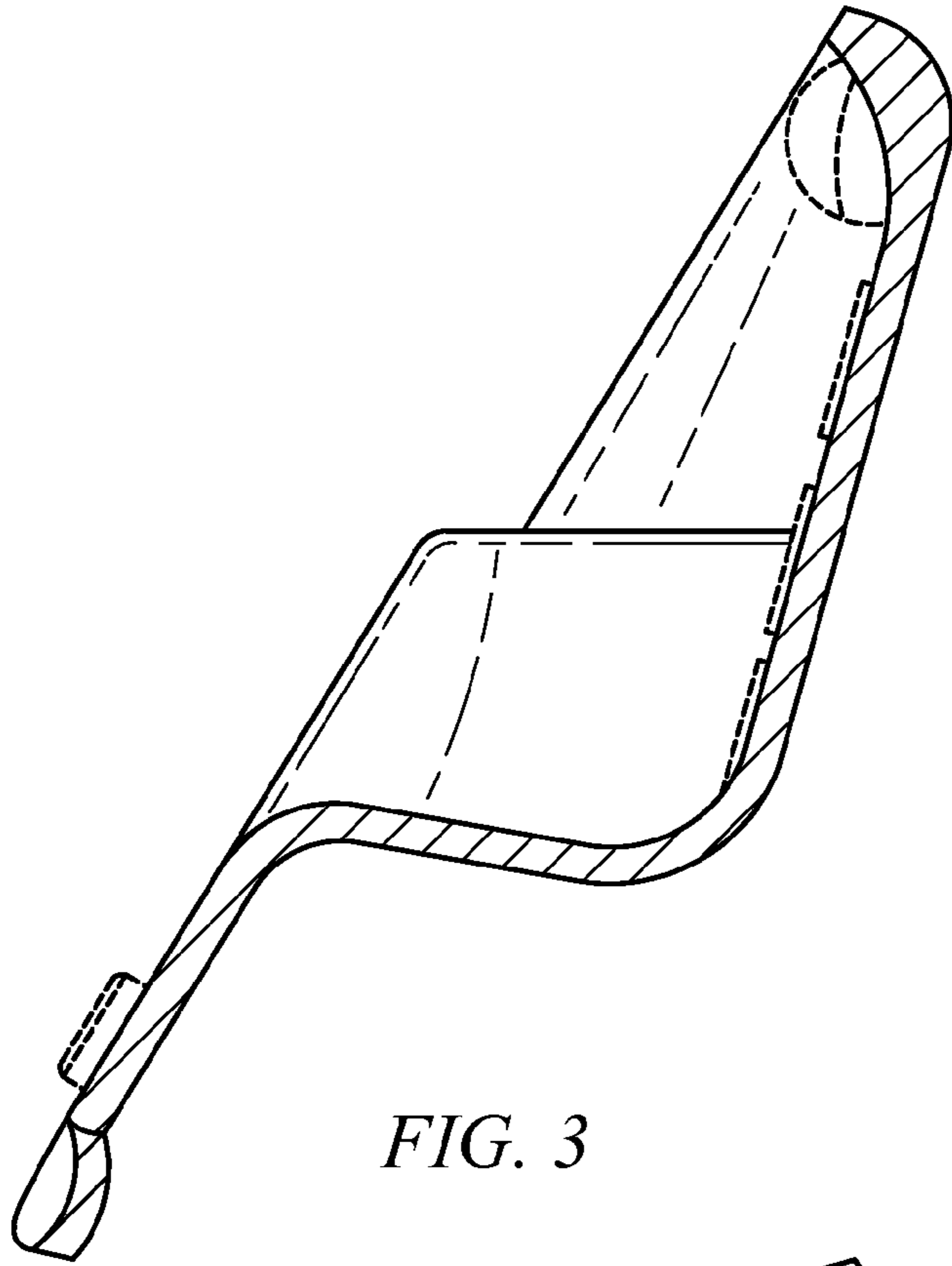


FIG. 3

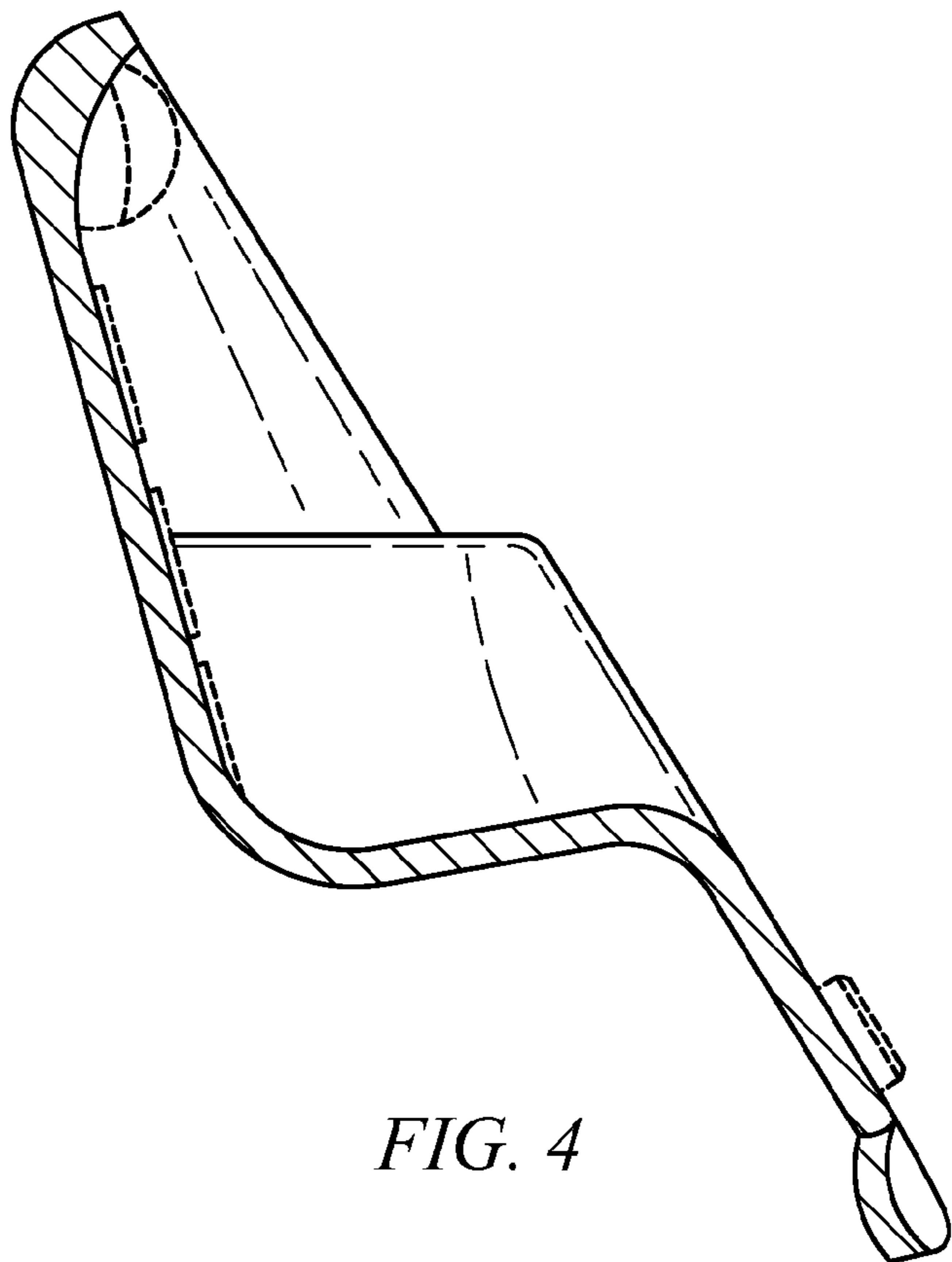


FIG. 4