



US00D658771S

(12) **United States Design Patent**  
**Helm et al.**

(10) **Patent No.:** **US D658,771 S**

(45) **Date of Patent:** **\*\* May 1, 2012**

(54) **ORTHOSIS**

(75) Inventors: **Thorsten Helm**, Sassenberg (DE);  
**Alexander Boehm**, Oelde (DE)

(73) Assignee: **Otto Bock Healthcare GmbH**,  
Duderstadt (DE)

(\*\*) Term: **14 Years**

(21) Appl. No.: **29/381,969**

(22) Filed: **Dec. 27, 2010**

(30) **Foreign Application Priority Data**

Jun. 29, 2010 (EM) ..... 001725771

(51) **LOC (9) Cl.** ..... **24-01**

(52) **U.S. Cl.** ..... **D24/190**

(58) **Field of Classification Search** ..... D24/190,  
D24/155; 602/1, 5, 16, 23, 26; 623/24, 39,  
623/43; 403/102

See application file for complete search history.

(56) **References Cited**

**U.S. PATENT DOCUMENTS**

D286,183	S *	10/1986	Womack et al.	.....	D24/190
5,306,230	A *	4/1994	Bodine	.....	602/26
5,399,154	A *	3/1995	Kipnis et al.	.....	602/26
5,437,619	A *	8/1995	Malewicz et al.	.....	602/20
5,443,444	A *	8/1995	Pruyssers	.....	602/26
5,827,208	A *	10/1998	Mason et al.	.....	602/16
5,997,493	A *	12/1999	Young	.....	602/16
6,080,122	A *	6/2000	Gulledge	.....	602/16
6,165,226	A *	12/2000	Wagner	.....	623/39
D448,484	S *	9/2001	Bradshaw	.....	D24/155
6,309,368	B1 *	10/2001	Herzberg et al.	.....	602/26
D487,512	S *	3/2004	Bradshaw et al.	.....	D24/190
6,740,054	B2 *	5/2004	Stearns	.....	602/16
6,746,414	B1 *	6/2004	Devreese	.....	602/26

6,764,244	B2 *	7/2004	Pansiera	.....	403/102
D496,464	S *	9/2004	Iglesias et al.	.....	D24/190
6,960,175	B1 *	11/2005	Myers	.....	602/16
7,037,287	B2 *	5/2006	Cormier et al.	.....	602/23
7,083,583	B2 *	8/2006	Opahle et al.	.....	602/16
7,087,031	B2 *	8/2006	Rossi et al.	.....	602/16
2010/0256543	A1 *	10/2010	Mccune	.....	602/16

**FOREIGN PATENT DOCUMENTS**

JP	1247301	S	8/2005
JP	1254297	S	10/2005
KR	300312621	S	11/2002
TW	106330	D	9/2005

**OTHER PUBLICATIONS**

Decision to Grant for corresponding Taiwan Application No. 099306533, issued by the Taiwan Patent Office on Jul. 18, 2011, including Search Result and English translation.

\* cited by examiner

*Primary Examiner* — Susan E Krakower

(74) *Attorney, Agent, or Firm* — Holland & Hart LLP

(57) **CLAIM**

The ornamental design for an orthosis, as shown and described.

**DESCRIPTION**

FIG. 1 is a perspective view of an orthosis according to the present invention;

FIG. 2 is a left side view thereof;

FIG. 3 is a rear view thereof;

FIG. 4 is a top view thereof;

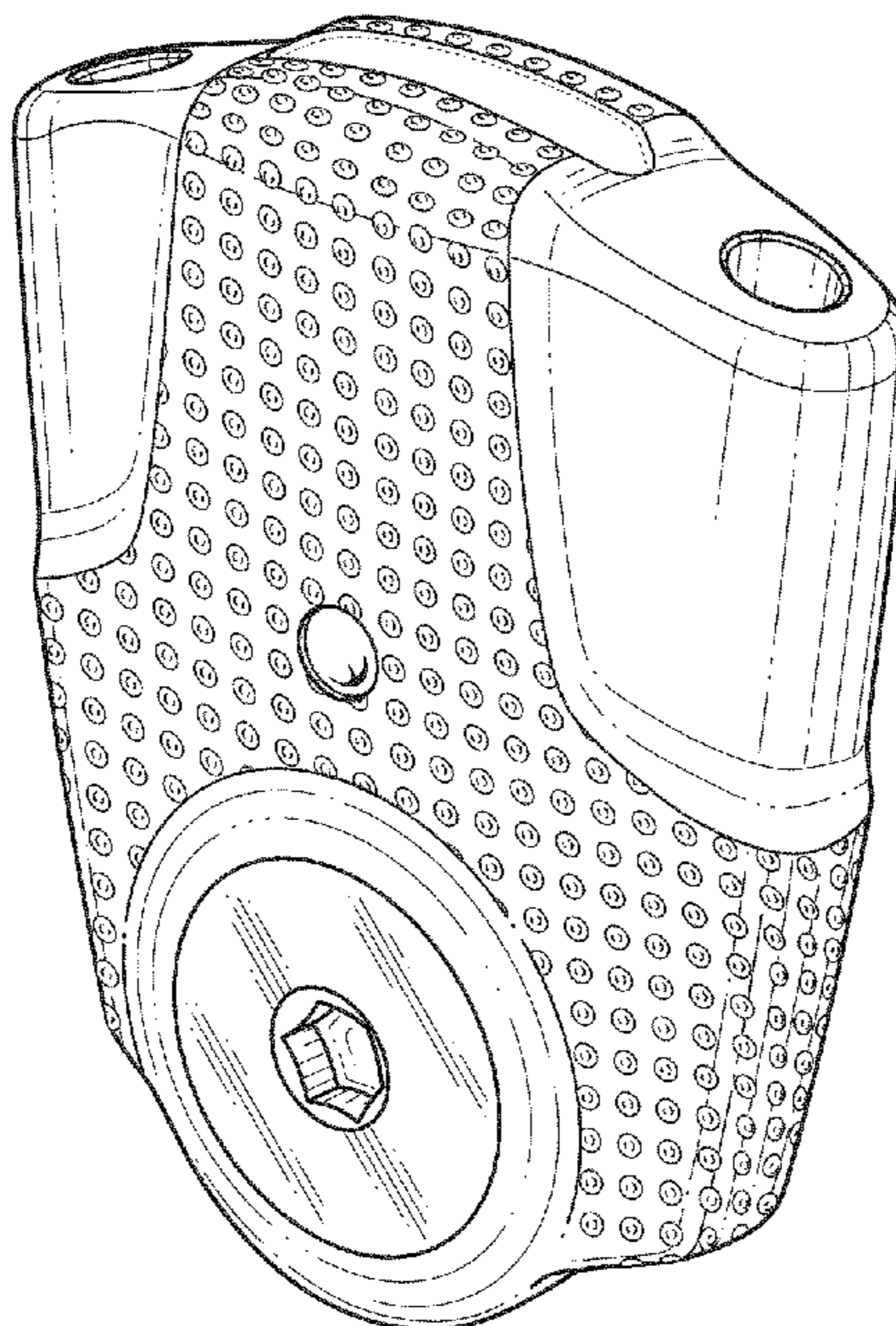
FIG. 5 is a right side view thereof;

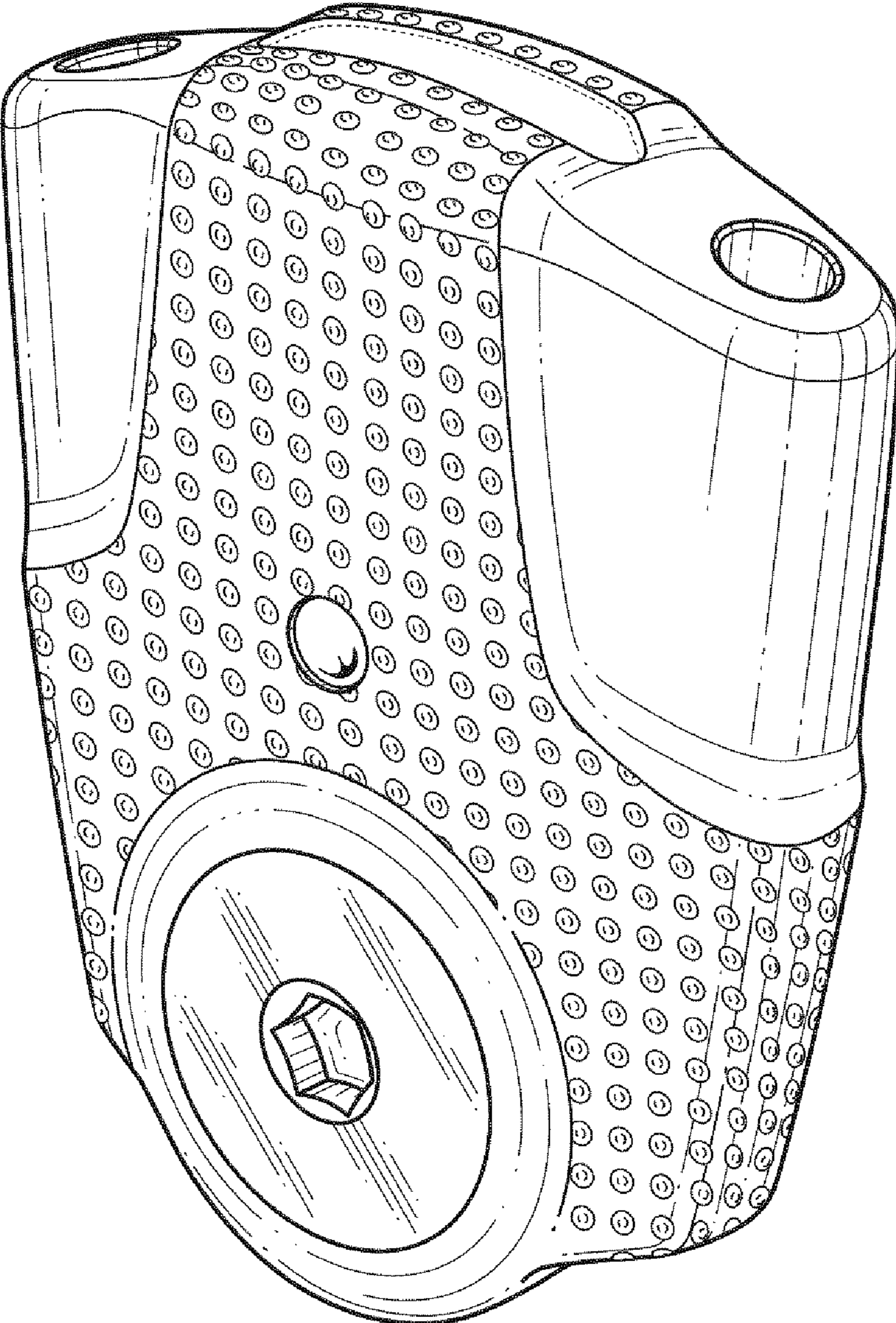
FIG. 6 is a front view thereof; and,

FIG. 7 is a bottom view thereof.

The broken lines illustrate portions of the orthosis which form no part of the claimed design.

**1 Claim, 3 Drawing Sheets**





**FIG. 1**

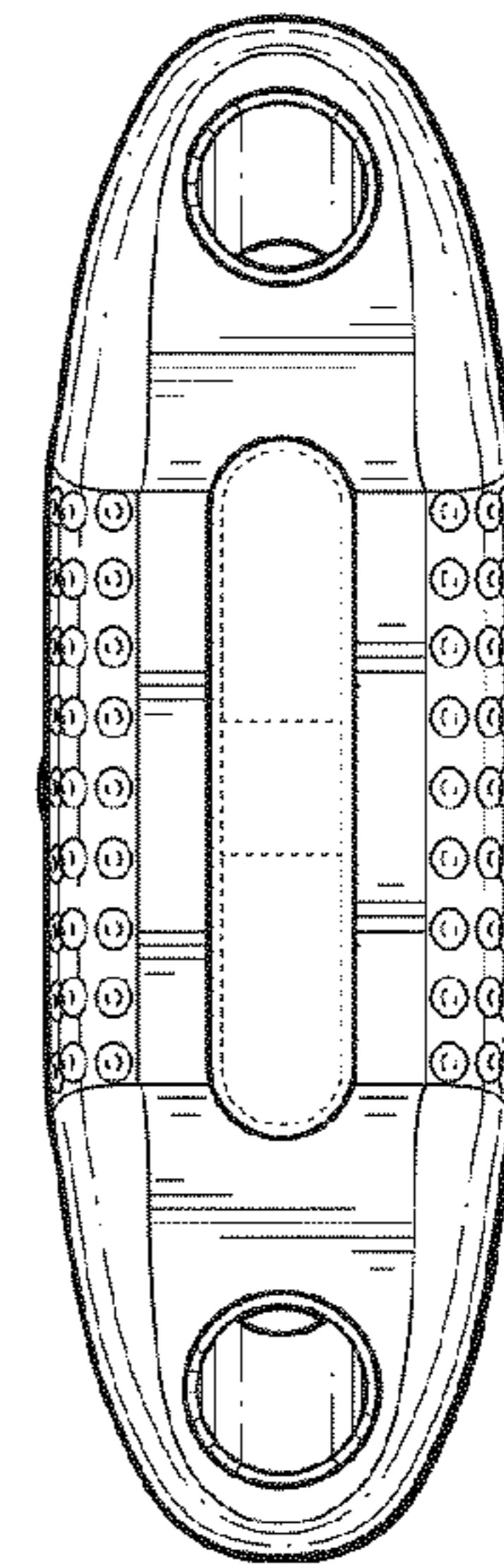


FIG. 4

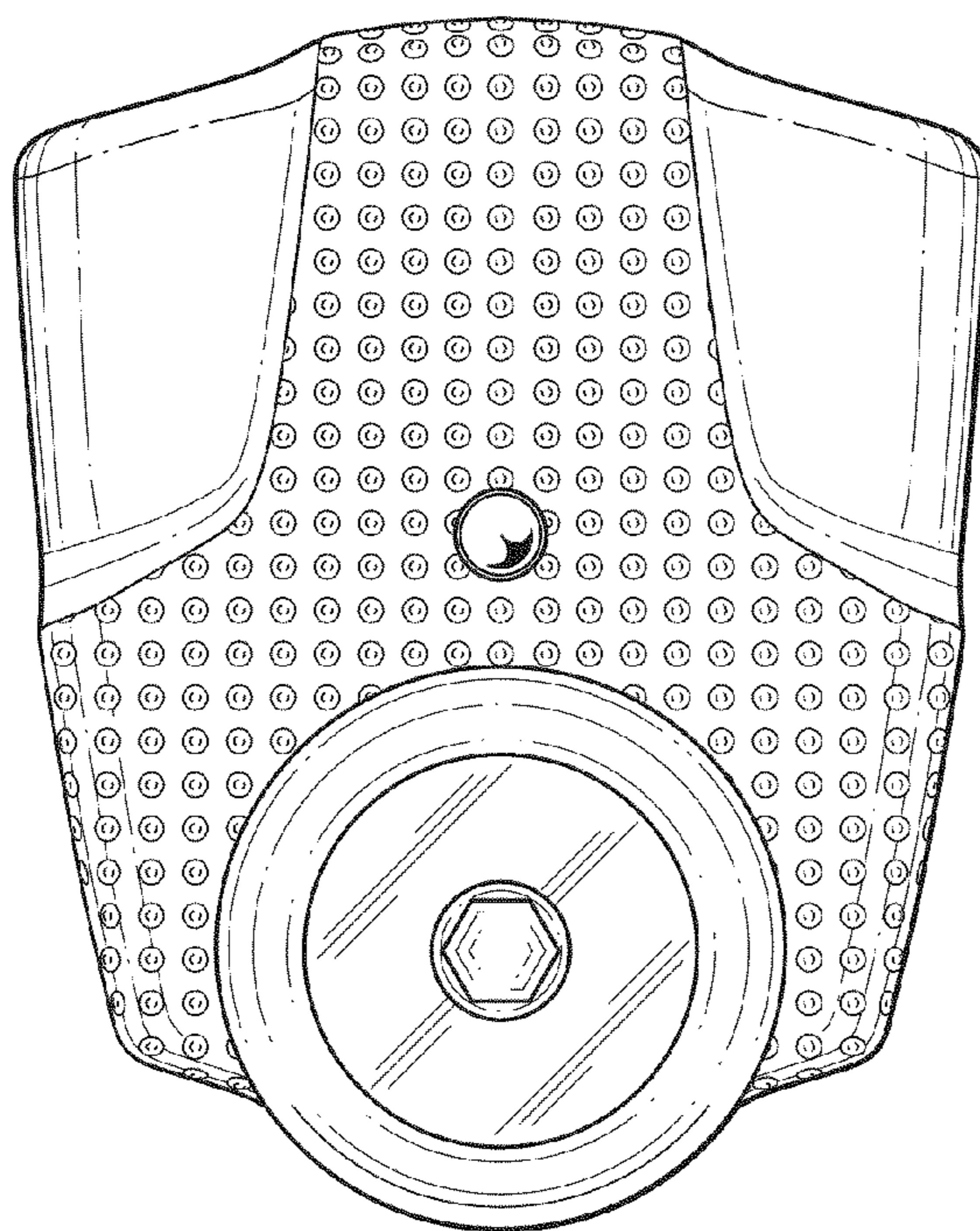


FIG. 2

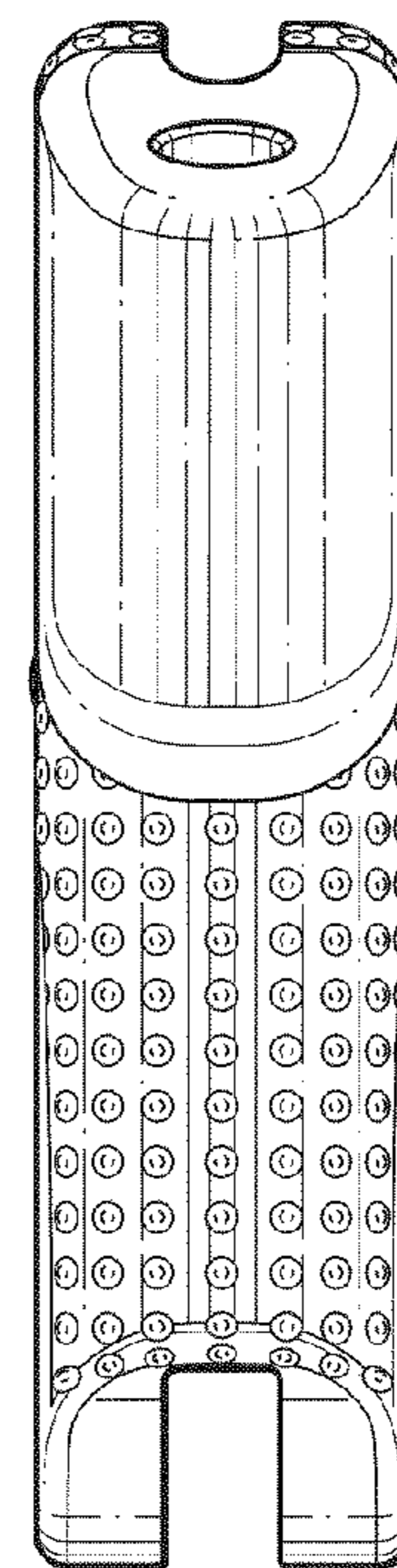
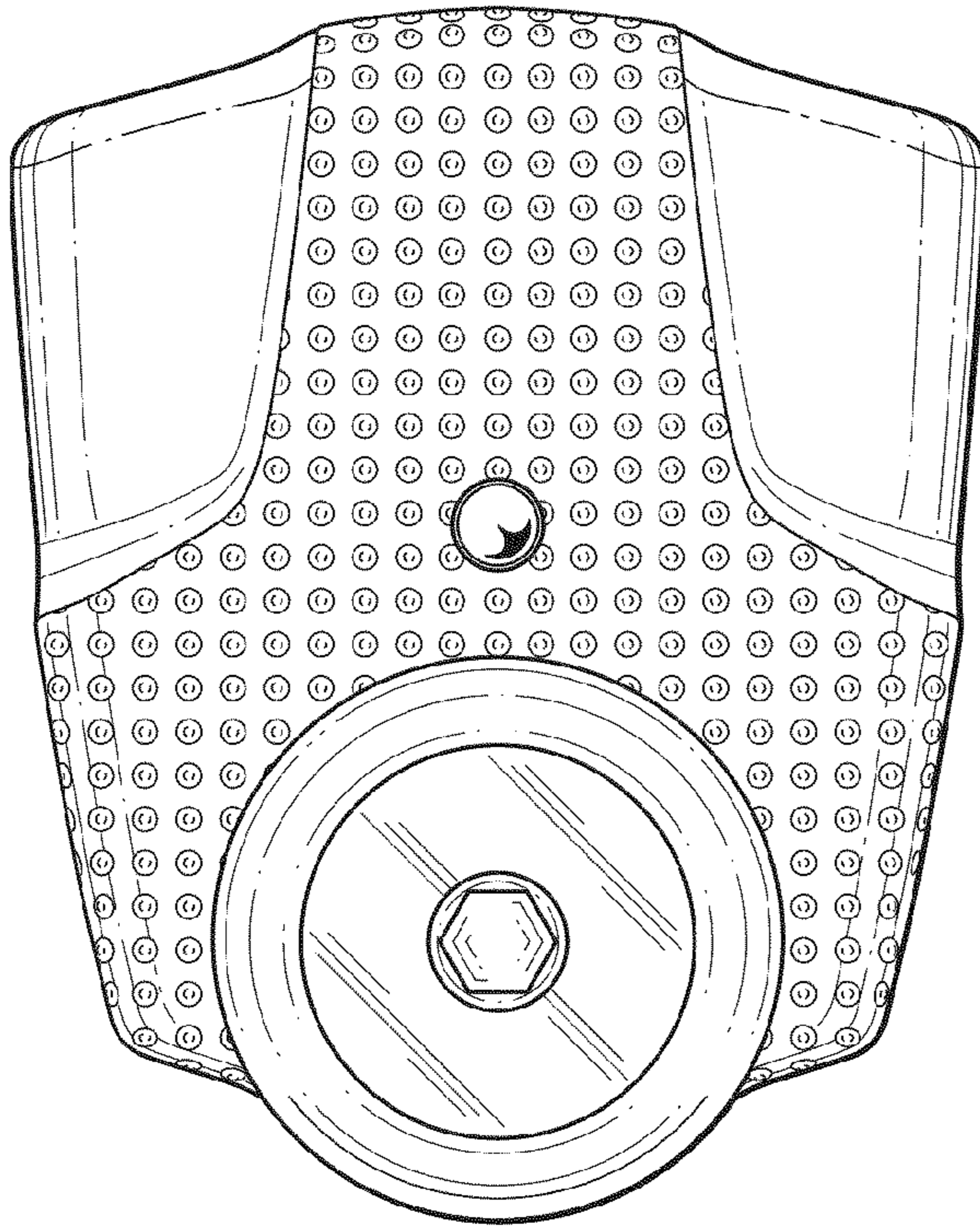
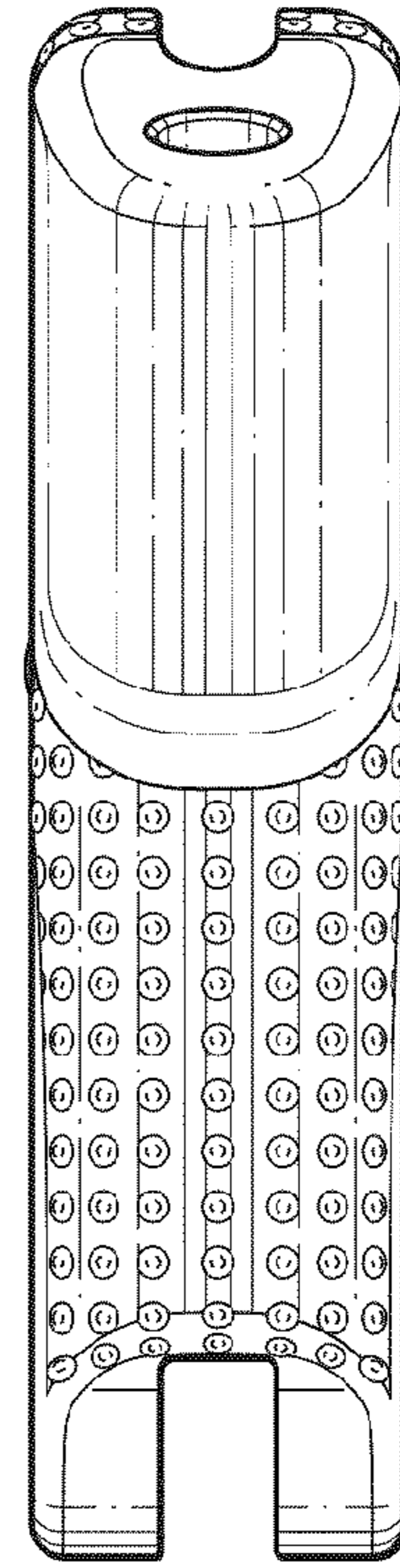


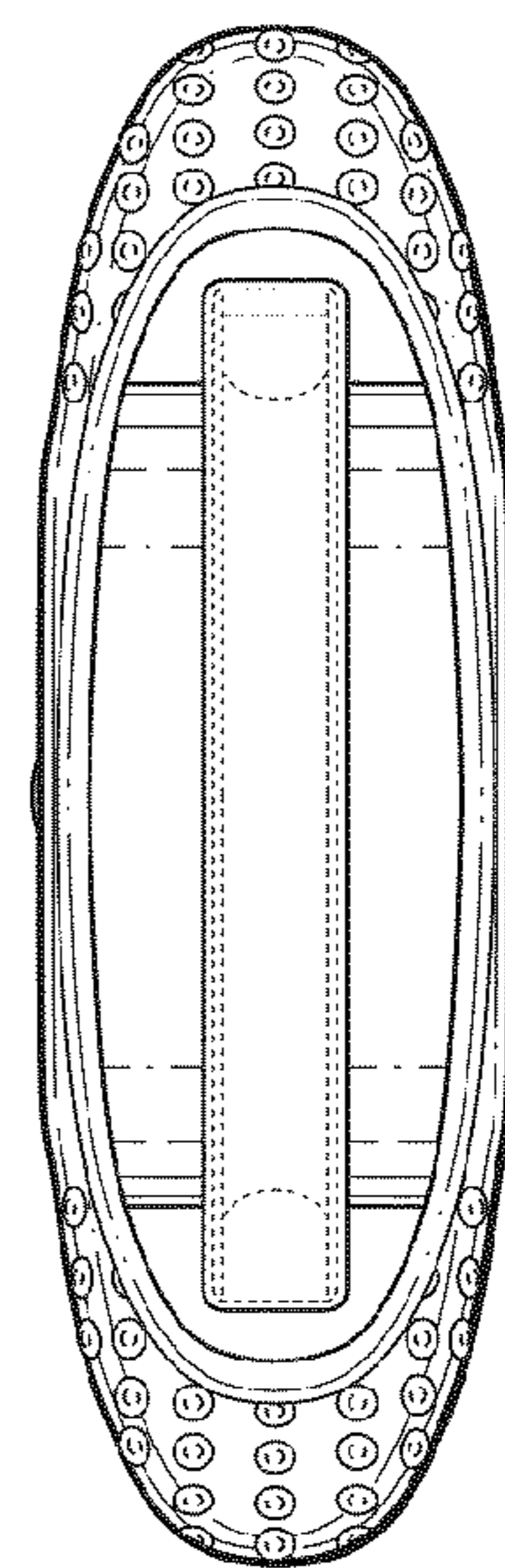
FIG. 3



**FIG. 5**



**FIG. 6**



**FIG. 7**