



US00D658770S

(12) **United States Design Patent**  
**Helm et al.**

(10) **Patent No.:** **US D658,770 S**

(45) **Date of Patent:** **\*\* May 1, 2012**

(54) **KNEE JOINT BRACE**

(75) Inventors: **Thorsten Helm**, Sassenberg (DE);  
**Alexander Boehm**, Oelde (DE)

(73) Assignee: **Otto Bock Healthcare GmbH**,  
Duderstadt (DE)

(\*\*) Term: **14 Years**

(21) Appl. No.: **29/381,967**

(22) Filed: **Dec. 27, 2010**

(30) **Foreign Application Priority Data**

Jun. 29, 2010 (EM) ..... 001725771

(51) **LOC (9) Cl.** ..... **24-01**

(52) **U.S. Cl.** ..... **D24/190**

(58) **Field of Classification Search** ..... D24/190,  
D24/155; 602/1, 5, 16, 23, 26; 623/24, 39,  
623/43; 403/102

See application file for complete search history.

(56) **References Cited**

**U.S. PATENT DOCUMENTS**

D286,183	S *	10/1986	Womack et al.	.....	D24/190
4,620,532	A *	11/1986	Houswerth	.....	602/16
4,711,242	A *	12/1987	Petrofsky	.....	607/49
4,890,607	A *	1/1990	Townsend	.....	602/26
5,031,606	A *	7/1991	Ring, Sr.	.....	602/16
5,306,230	A *	4/1994	Bodine	.....	602/26
5,749,840	A *	5/1998	Mitchell et al.	.....	602/5
6,080,123	A *	6/2000	Pansiera	.....	602/16
6,165,226	A *	12/2000	Wagner	.....	623/39
6,203,511	B1 *	3/2001	Johnson et al.	.....	602/16
6,635,024	B2 *	10/2003	Hatton et al.	.....	602/16
D487,512	S *	3/2004	Bradshaw et al.	.....	D24/190
6,764,244	B2 *	7/2004	Pansiera	.....	403/102

D496,464	S *	9/2004	Iglesias et al.	.....	D24/190
D546,955	S *	7/2007	Bauerfiend et al.	.....	D24/190
7,608,051	B1 *	10/2009	Nace	.....	602/16
7,645,251	B2 *	1/2010	Hatton et al.	.....	602/27
2004/0049291	A1 *	3/2004	Deharde et al.	.....	623/46
2010/0262055	A1 *	10/2010	Schilling et al.	.....	602/16

**FOREIGN PATENT DOCUMENTS**

JP	1247301	S	8/2005
JP	1254297	S	10/2005
KR	300312621	S	11/2002
TW	106330	D	9/2005

**OTHER PUBLICATIONS**

Decision to Grant for corresponding Taiwan Application No. 099306532, issued by the Taiwan Patent Office on Jul. 18, 2011, including Search Result and English translation.

\* cited by examiner

*Primary Examiner* — Susan E Krakower

(74) *Attorney, Agent, or Firm* — Holland & Hart LLP

(57) **CLAIM**

The ornamental design for a knee joint brace, as shown and described.

**DESCRIPTION**

FIG. 1 is a perspective view of a knee joint brace according to the present invention;

FIG. 2 is a left side view thereof;

FIG. 3 is a rear view thereof;

FIG. 4 is a top view thereof;

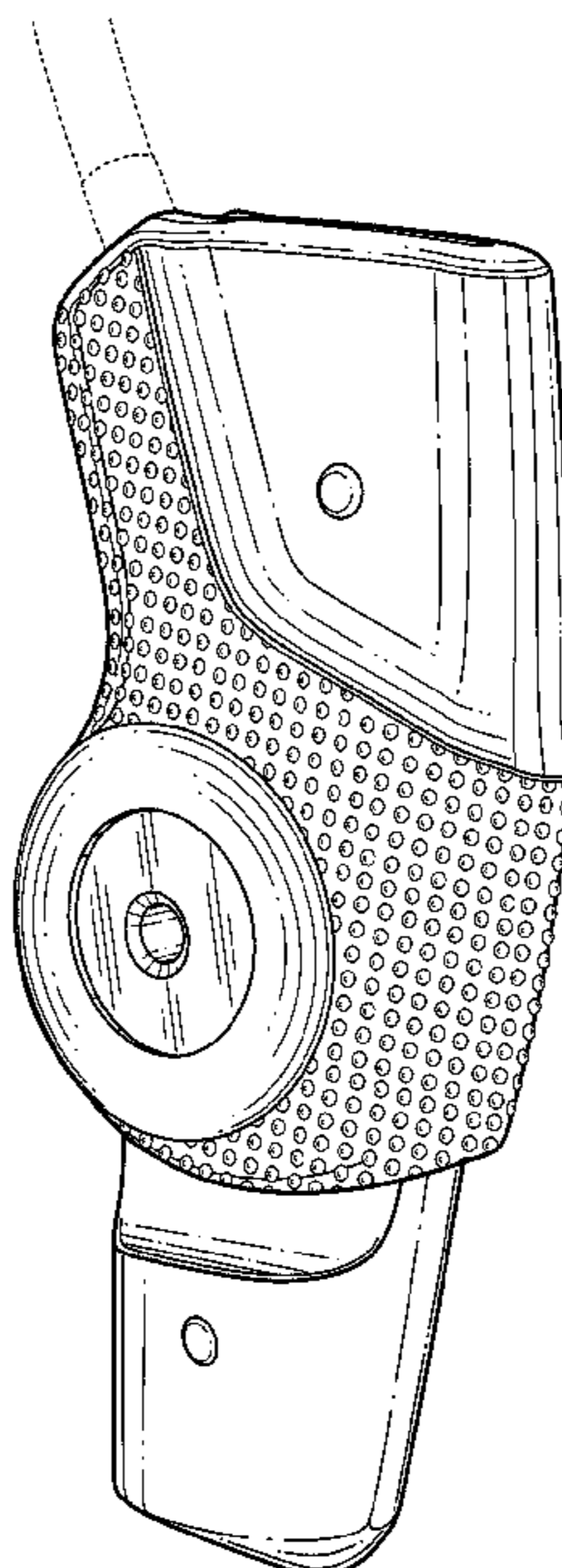
FIG. 5 is a right side view thereof;

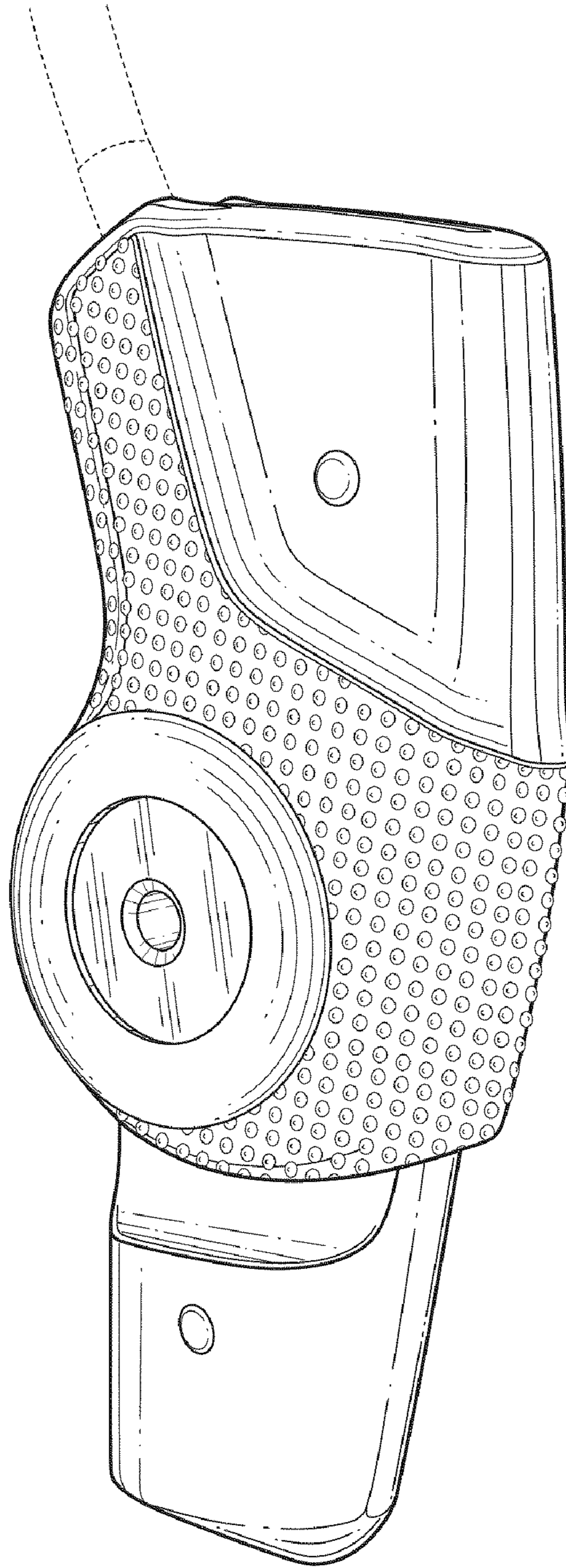
FIG. 6 is a front view thereof; and,

FIG. 7 is a bottom view thereof.

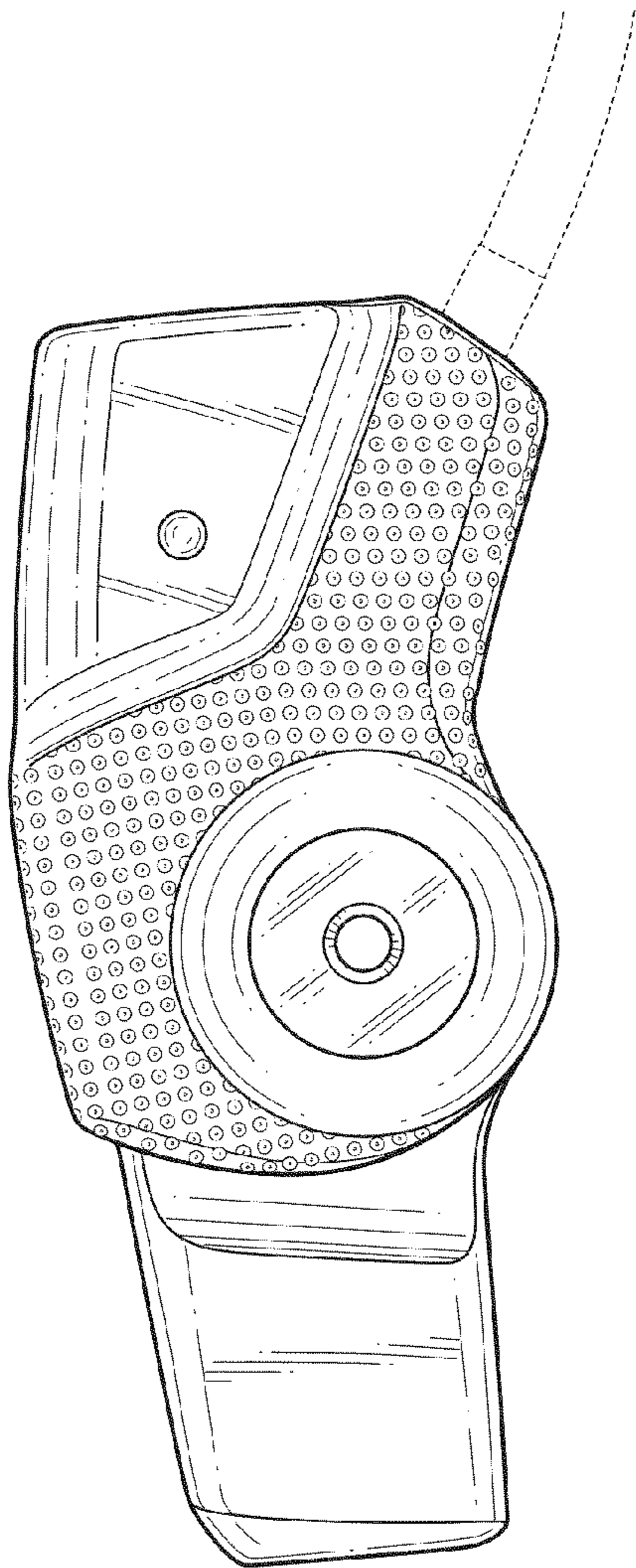
The broken lines illustrate portions of the knee joint brace which form no part of the claimed design.

**1 Claim, 3 Drawing Sheets**

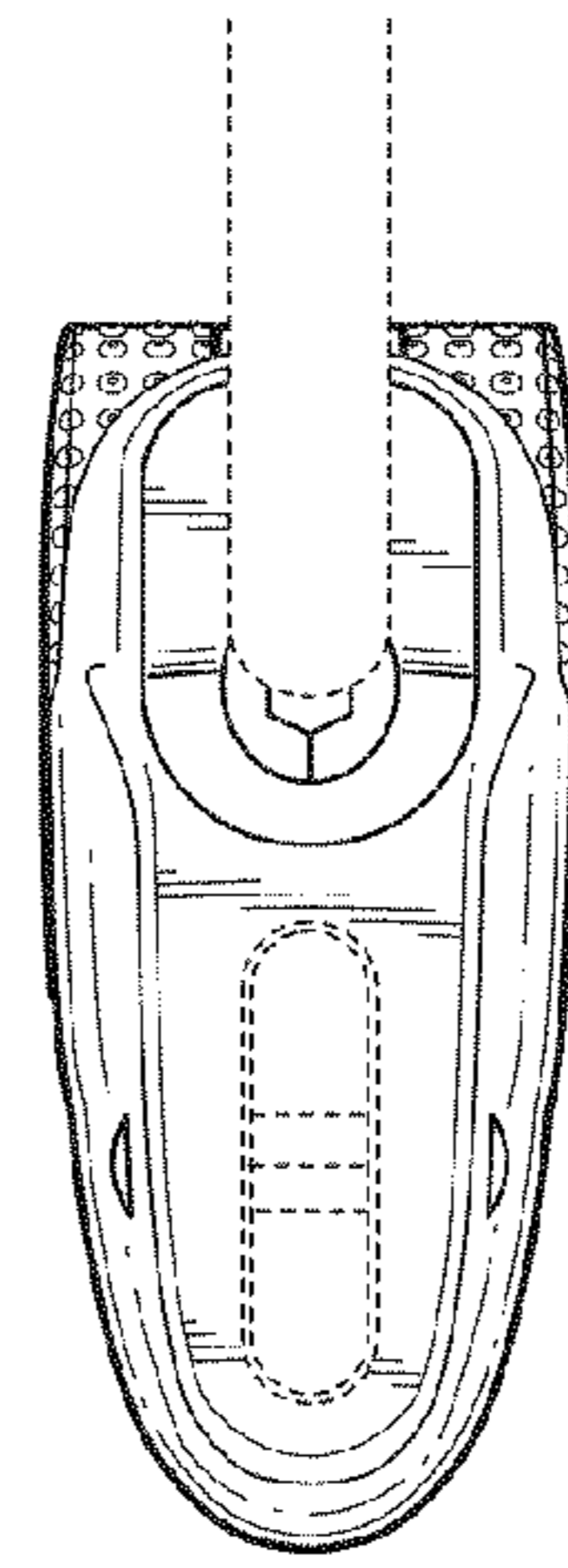




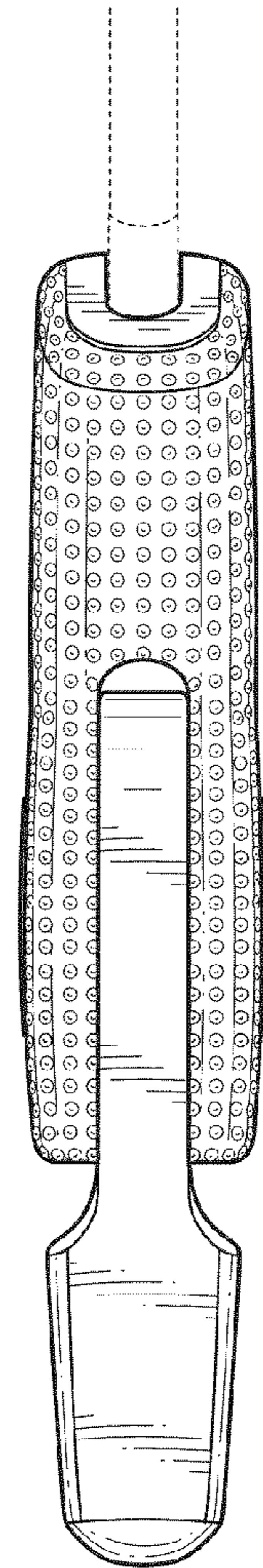
**FIG. 1**



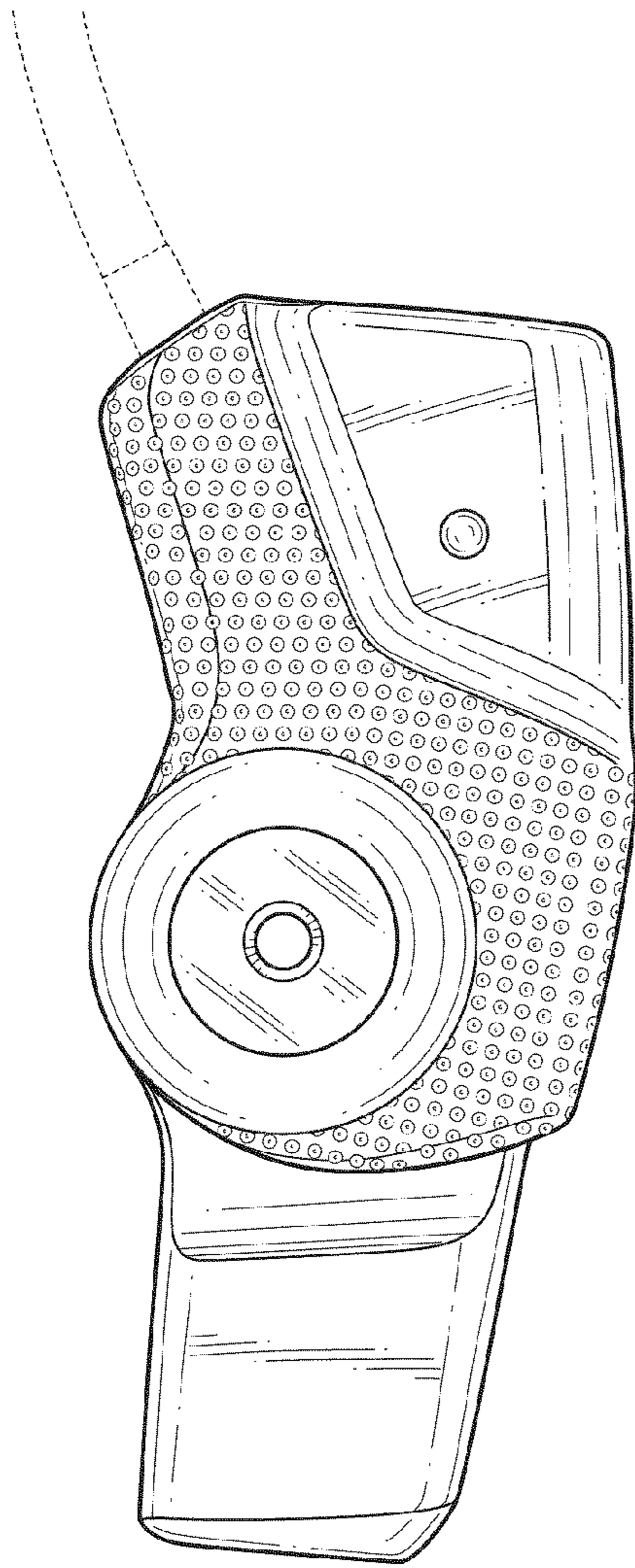
**FIG. 2**



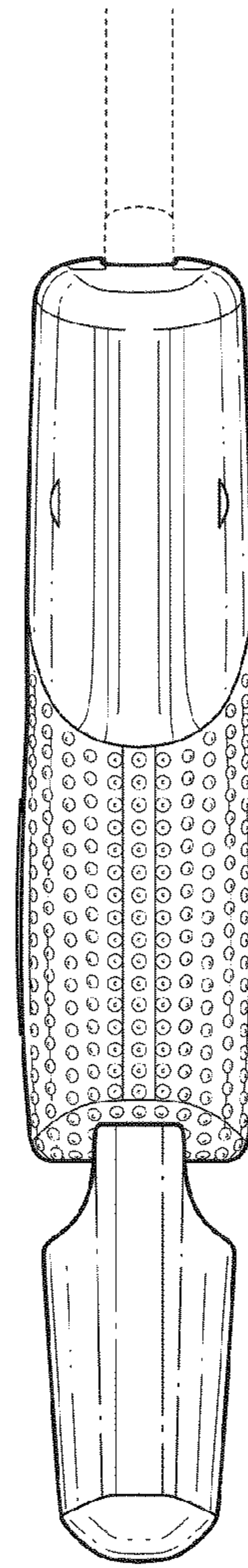
**FIG. 4**



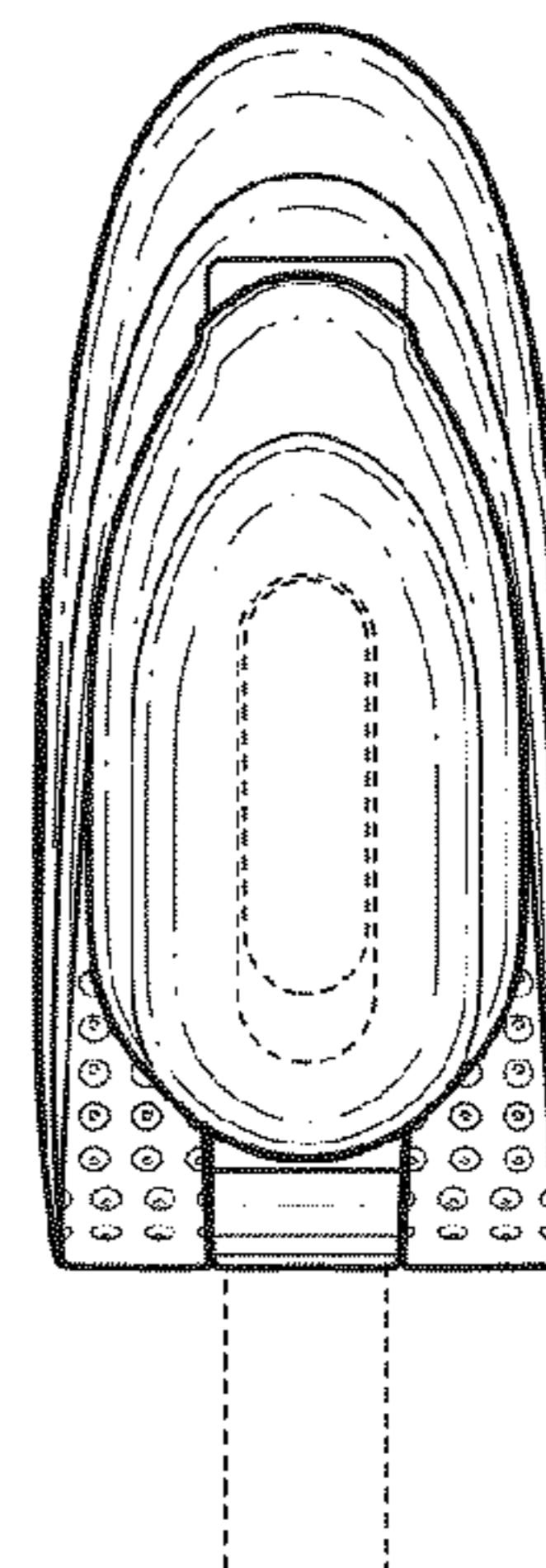
**FIG. 3**



**FIG. 5**



**FIG. 6**



**FIG. 7**