



US00D658763S

(12) **United States Design Patent**
Peuker et al.

(10) **Patent No.:** **US D658,763 S**

(45) **Date of Patent:** **** *May 1, 2012**

- (54) **DENTAL CAPSULE**
- (75) Inventors: **Marc Peuker**, Schondorf (DE); **Andreas J. Boehm**, Reichling (DE)
- (73) Assignee: **3M Innovative Properties Company**, St. Paul, MN (US)
- (*) Notice: This patent is subject to a terminal disclaimer.
- (**) Term: **14 Years**
- (21) Appl. No.: **29/366,911**
- (22) Filed: **Jul. 30, 2010**

- 4,082,121 A 4/1978 Sturm
- 4,121,739 A 10/1978 Devaney
- 4,182,238 A 1/1980 Mitchell, Sr.
- 4,235,235 A 11/1980 Bekkering
- 4,252,118 A 2/1981 Richard
- 4,471,888 A 9/1984 Herb
- 4,496,344 A 1/1985 Kamstra
- 4,538,920 A 9/1985 Drake
- 4,572,210 A 2/1986 McKinnon
- 4,599,082 A 7/1986 Grimard
- 4,613,326 A 9/1986 Szwarc
- 4,632,672 A 12/1986 Kvitrud
- 4,660,569 A 4/1987 Etherington
- 4,674,661 A 6/1987 Herold
- 4,687,663 A 8/1987 Schaeffer
- 4,689,042 A 8/1987 Sarnoff
- 4,735,509 A 4/1988 Rausch
- 4,755,169 A 7/1988 Sarnoff
- 4,792,065 A 12/1988 Soehnlein

(Continued)

(30) **Foreign Application Priority Data**

Feb. 2, 2010 (EM) 1192926-1/2

(51) **LOC (9) Cl.** **24-02**

(52) **U.S. Cl.** **D24/176**

(58) **Field of Classification Search** D24/108,
D24/111-113, 152, 155-156, 176-177; D9/696;
222/129, 145.1, 145.5, 386; 433/80, 85,
433/88-90, 98, 114; 206/63.5
See application file for complete search history.

FOREIGN PATENT DOCUMENTS

CH 669164 2/1989

(Continued)

Primary Examiner — Wan Laymon

(57) **CLAIM**

The ornamental design for a dental capsule, as shown and described.

(56) **References Cited**

U.S. PATENT DOCUMENTS

- 2,607,341 A 8/1952 Brown
- 3,089,626 A 5/1963 Kubiliunas
- 3,251,516 A 5/1966 Thomas
- 3,318,494 A 5/1967 Porter
- 3,323,682 A 6/1967 Creighton, Jr.
- 3,568,895 A 3/1971 Porter
- 3,603,310 A 9/1971 Mottin
- 3,680,605 A 8/1972 Nigro
- 3,735,900 A 5/1973 Gores
- 3,774,822 A 11/1973 Hazard
- 3,863,818 A 2/1975 Hazard
- 3,965,898 A 6/1976 Cloyd
- 3,967,759 A 7/1976 Baldwin
- 3,998,224 A 12/1976 Chiquiar-Arias

DESCRIPTION

FIG. 1 is a perspective view showing the new design for a dental capsule.

FIG. 2 is a right view thereof;

FIG. 3 is a left view thereof;

FIG. 4 is a top view thereof;

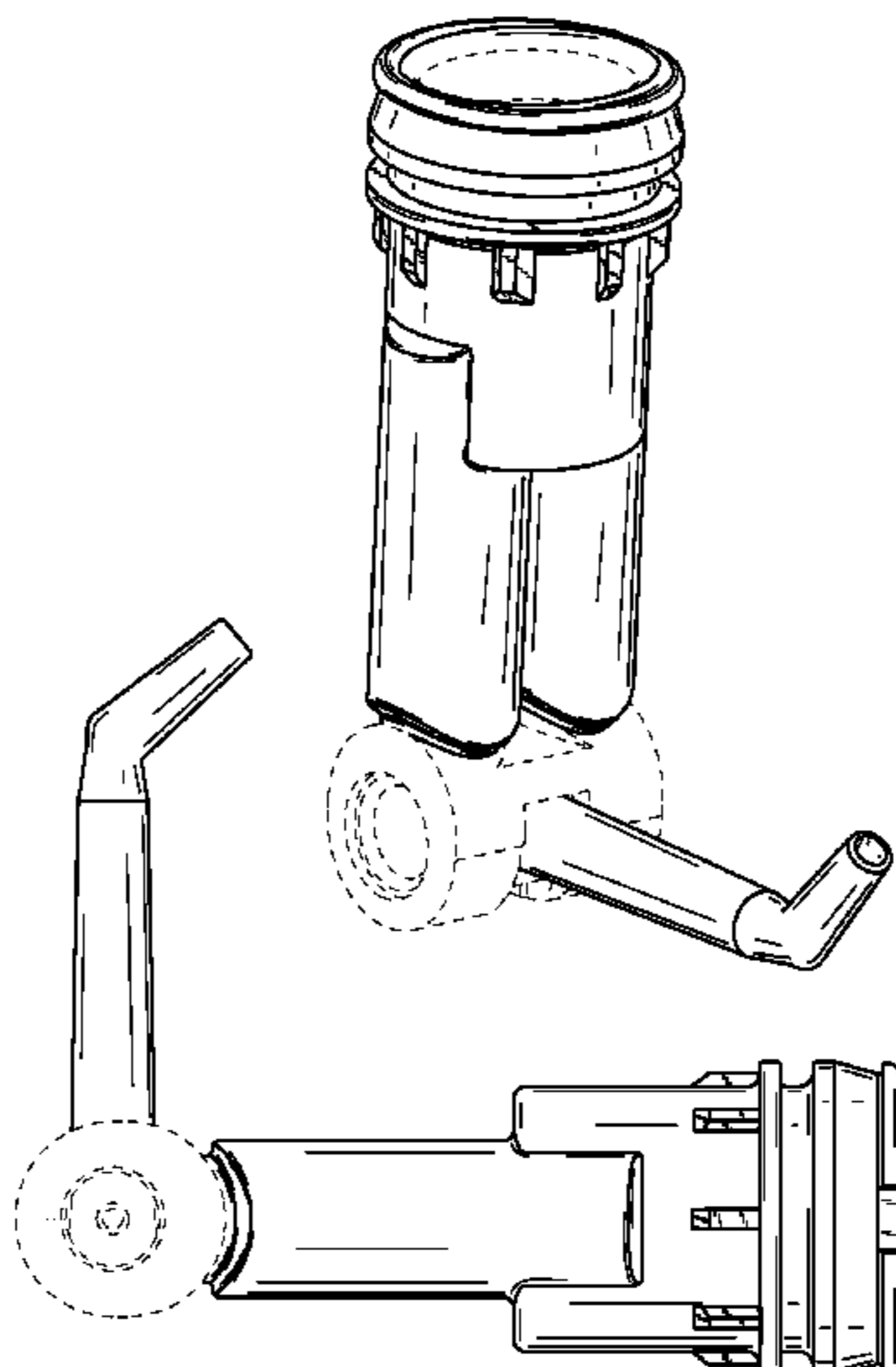
FIG. 5 is a bottom view thereof;

FIG. 6 is a front view thereof; and,

FIG. 7 is a back view thereof.

The broken lined showing portions of a dental capsule are included for illustrating environmental structure and form no part of the claimed design.

1 Claim, 3 Drawing Sheets



US D658,763 S

U.S. PATENT DOCUMENTS			FOREIGN PATENT DOCUMENTS		
4,801,008 A	1/1989	Rich	D602,593 S *	10/2009	Cheetham D24/176
4,811,549 A	3/1989	Usami	7,621,428 B2	11/2009	Springhorn
4,811,838 A	3/1989	Usami	D620,118 S *	7/2010	Cheetham D24/176
4,826,483 A	5/1989	Molnar, IV	7,882,983 B2 *	2/2011	Reidt et al. 222/145.5
4,852,772 A	8/1989	Ennis, III	7,909,211 B2	3/2011	Springhorn
4,854,343 A	8/1989	Rilett	2002/0023892 A1	2/2002	Savitz
4,865,884 A	9/1989	Usami	2002/0076671 A1	6/2002	Evers
4,951,848 A	8/1990	Keller	2002/0077598 A1	6/2002	Yap
4,966,468 A	10/1990	Brüning	2003/0111490 A1	6/2003	Pierson
4,986,443 A	1/1991	Saur	2003/0120220 A1	6/2003	Lee
4,995,540 A	2/1991	Colin	2003/0147688 A1	8/2003	Hathaway
5,016,782 A	5/1991	Pfanstiel	2003/0196914 A1	10/2003	Tzou
5,021,047 A	6/1991	Movern	2003/0233075 A1	12/2003	Huegli
5,033,650 A	7/1991	Colin	2004/0104249 A1	6/2004	Horth
5,042,695 A	8/1991	Battegazzore	2004/0152041 A1	8/2004	Metzbower
5,065,906 A	11/1991	Maeder	2004/0261888 A1	12/2004	Brennan
RE33,801 E	1/1992	Green	2005/0006809 A1	1/2005	Stroppiana
5,082,147 A	1/1992	Jacobs	2005/0130099 A1	6/2005	Besek
5,127,548 A	7/1992	Brunet	2005/0137533 A1	6/2005	Sudo
5,137,181 A	8/1992	Keller	2006/0178643 A1	8/2006	Sudo
5,178,305 A	1/1993	Keller	2006/0273109 A1	12/2006	Keller
5,183,466 A	2/1993	Movern	2007/0078406 A1	4/2007	Lee
5,238,003 A	8/1993	Baidwan	2007/0078407 A1	4/2007	Huang
5,242,082 A	9/1993	Giannuzzi	2007/0167910 A1	7/2007	Tennican
5,249,709 A	10/1993	Duckworth	2007/0172789 A1	7/2007	Muller
5,316,186 A	5/1994	Prestele	2007/0250004 A1	10/2007	Tung
5,333,760 A	8/1994	Simmen	2008/0097387 A1	4/2008	Spector
5,370,221 A	12/1994	Magnusson	2008/0203112 A1	8/2008	Peuker
5,400,926 A	3/1995	Keller	2008/0230565 A1 *	9/2008	Hohmann et al. 222/386
5,453,093 A	9/1995	Haining	2009/0298010 A1 *	12/2009	Broyles et al. 433/90
5,535,922 A	7/1996	Maziarz	2010/0175348 A1 *	7/2010	Fundingsland et al. 206/63.5
5,599,312 A	2/1997	Higashikawa	2010/0294795 A1 *	11/2010	Boehm 222/386
5,647,510 A	7/1997	Keller	2011/0101563 A1	5/2011	Costa
5,716,338 A	2/1998	Hjertman	2011/0189059 A1 *	8/2011	Boehm et al. 422/225
5,738,655 A	4/1998	Vallelunga			
5,743,436 A	4/1998	Wilcox	CN	1138001	12/1996
5,865,803 A	2/1999	Major	DE	2219009	10/1973
5,871,355 A *	2/1999	Dragan et al. 433/90	DE	3913409	10/1990
5,874,354 A	2/1999	Heitzer	DE	9016568	5/1992
5,878,922 A	3/1999	Boring	DE	9206892	1/1993
5,897,028 A	4/1999	Sauer	DE	4229588	3/1994
5,938,439 A	8/1999	Mertins	DE	29506800	8/1996
6,027,481 A	2/2000	Barrelle	DE	19720896	12/1997
6,047,861 A	4/2000	Vidal	DE	19708548	9/1998
6,048,201 A	4/2000	Zwingenberger	DE	29811344	10/1999
6,060,643 A	5/2000	Fleming	DE	10133075	1/2003
6,065,643 A	5/2000	Harvey	DE	10151104	4/2003
6,095,814 A	8/2000	Petrich	DE	20216632	4/2004
6,102,699 A	8/2000	Galehr	EP	0093185	11/1983
6,135,771 A *	10/2000	Dragan et al. 433/90	EP	0112574	7/1984
6,261,094 B1 *	7/2001	Dragan 433/90	EP	0783872	7/1997
6,352,177 B1	3/2002	Bublewitz	EP	0831034	3/1998
6,375,460 B1 *	4/2002	Plaumann 433/80	EP	0966331	8/2002
6,386,872 B1	5/2002	Mukasa	EP	1544123	6/2005
6,409,972 B1	6/2002	Chan	FR	833083	10/1938
6,454,129 B1	9/2002	Green	FR	1493380	8/1967
6,464,112 B2	10/2002	Summons	FR	2626248	7/1989
6,547,101 B1	4/2003	Sogaro	GB	1475430	6/1977
6,572,565 B2	6/2003	Daley	JP	6265969	3/1987
6,585,511 B2 *	7/2003	Dragan et al. 433/90	JP	4200672	7/1992
6,598,766 B1	7/2003	Brugner	JP	6199566	7/1994
6,632,198 B2	10/2003	Caizza	JP	2002145360	5/2002
6,681,957 B1	1/2004	Green	WO	90/05096	5/1990
6,685,063 B2	2/2004	Brugner	WO	91/05731	5/1991
6,698,622 B2	3/2004	Sawhney	WO	93/22200	11/1993
6,740,062 B2	5/2004	Hjertman	WO	95/22941	8/1995
6,843,652 B2	1/2005	Xie	WO	96/15705	5/1996
6,877,983 B1 *	4/2005	Dragan et al. 433/90	WO	97/21394	6/1997
6,899,254 B1	5/2005	Sandholm	WO	99/306188	7/1999
6,916,308 B2	7/2005	Dixon	WO	01/44065	6/2001
7,101,351 B2	9/2006	Crawford	WO	02/094683	11/2002
D581,528 S	11/2008	Sudo	WO	2005/016783	2/2005
D583,938 S	12/2008	Sudo	WO	2007/104037	9/2007
7,503,905 B2	3/2009	Jessop	WO	2009/029974	3/2009
7,547,297 B2	6/2009	Brinkhues	WO	2011/017181	2/2011
D602,591 S *	10/2009	Cheetham D24/176	WO	2011/025665	3/2011
D602,592 S *	10/2009	Cheetham D24/176			

* cited by examiner

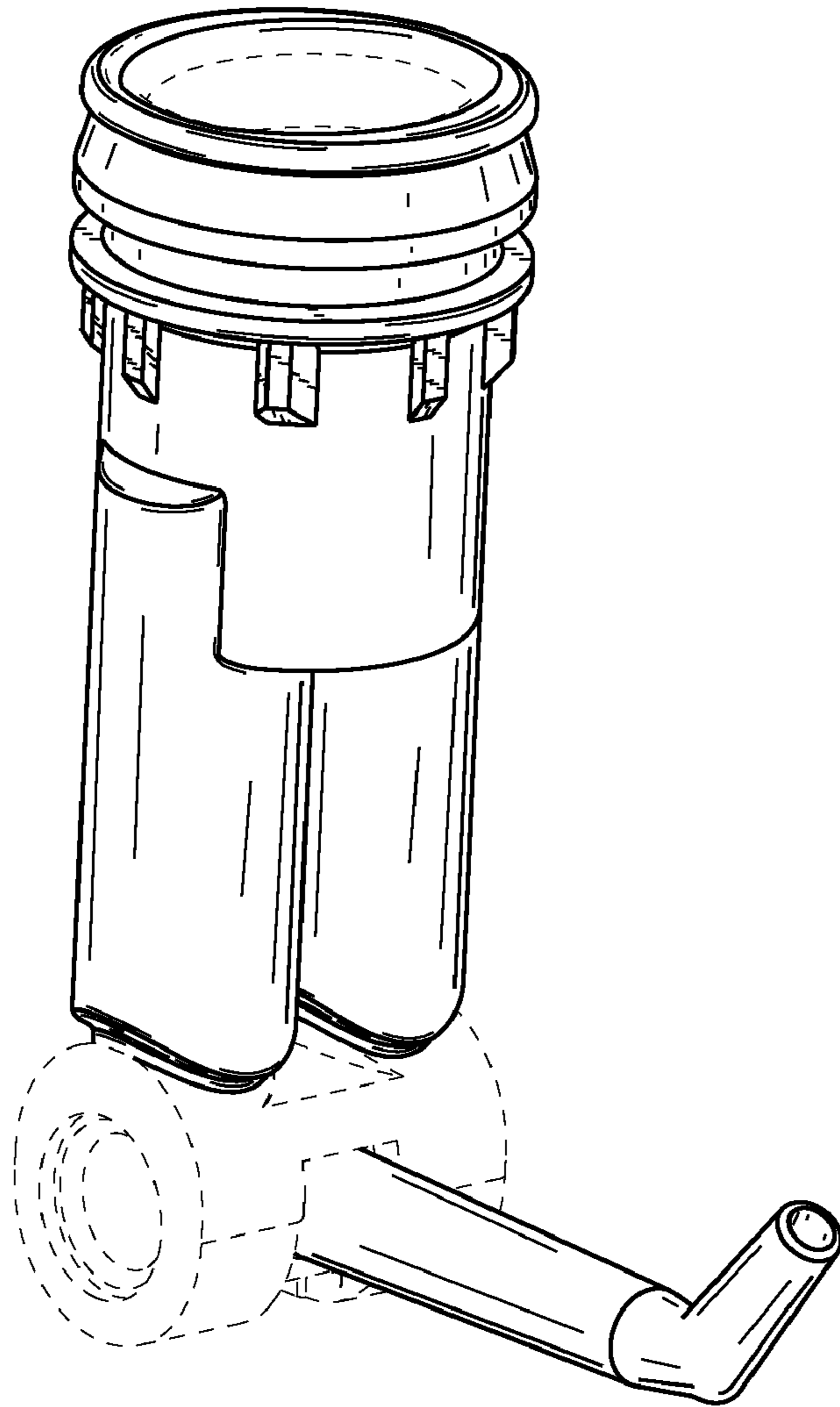


FIG. 1

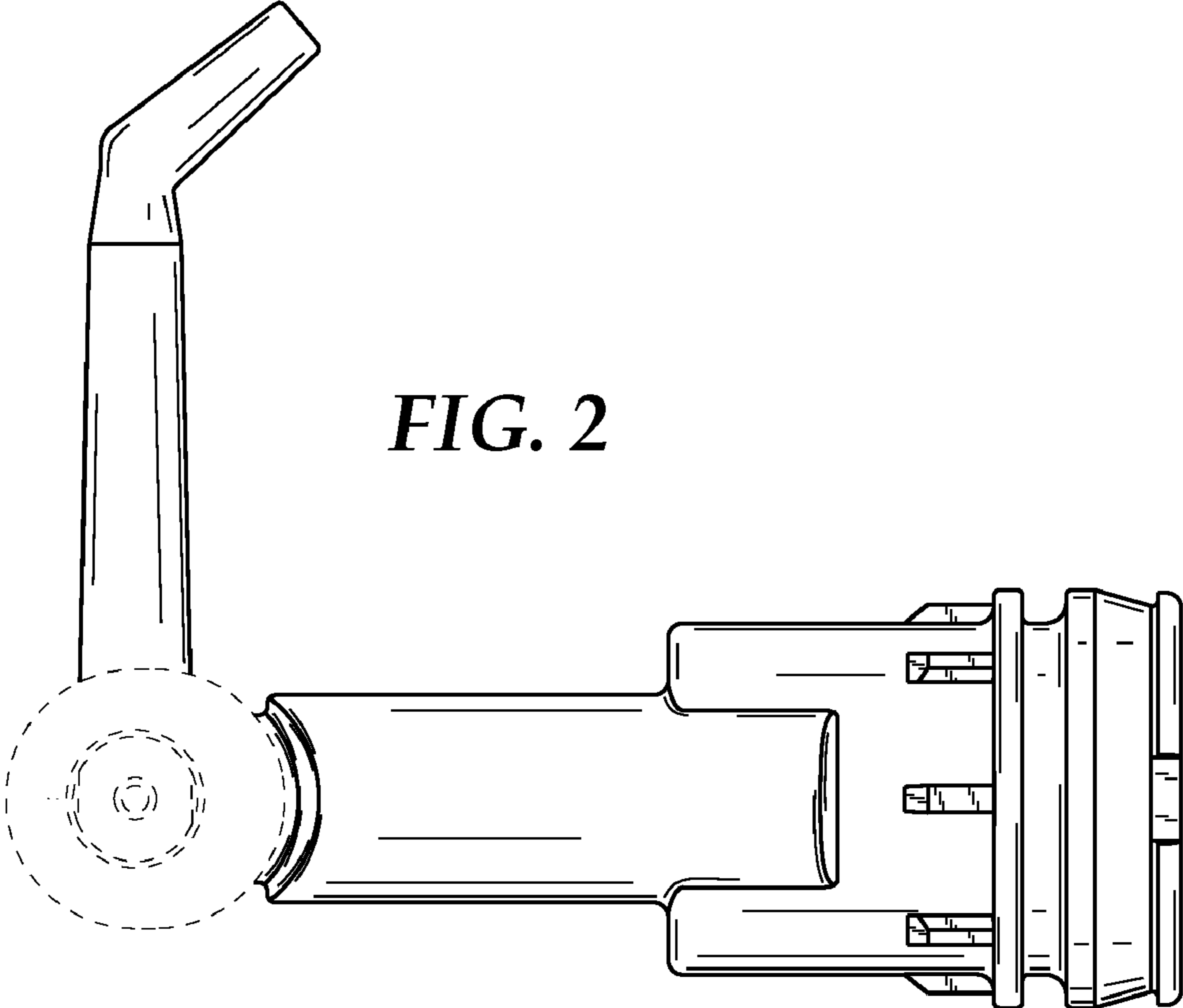


FIG. 2

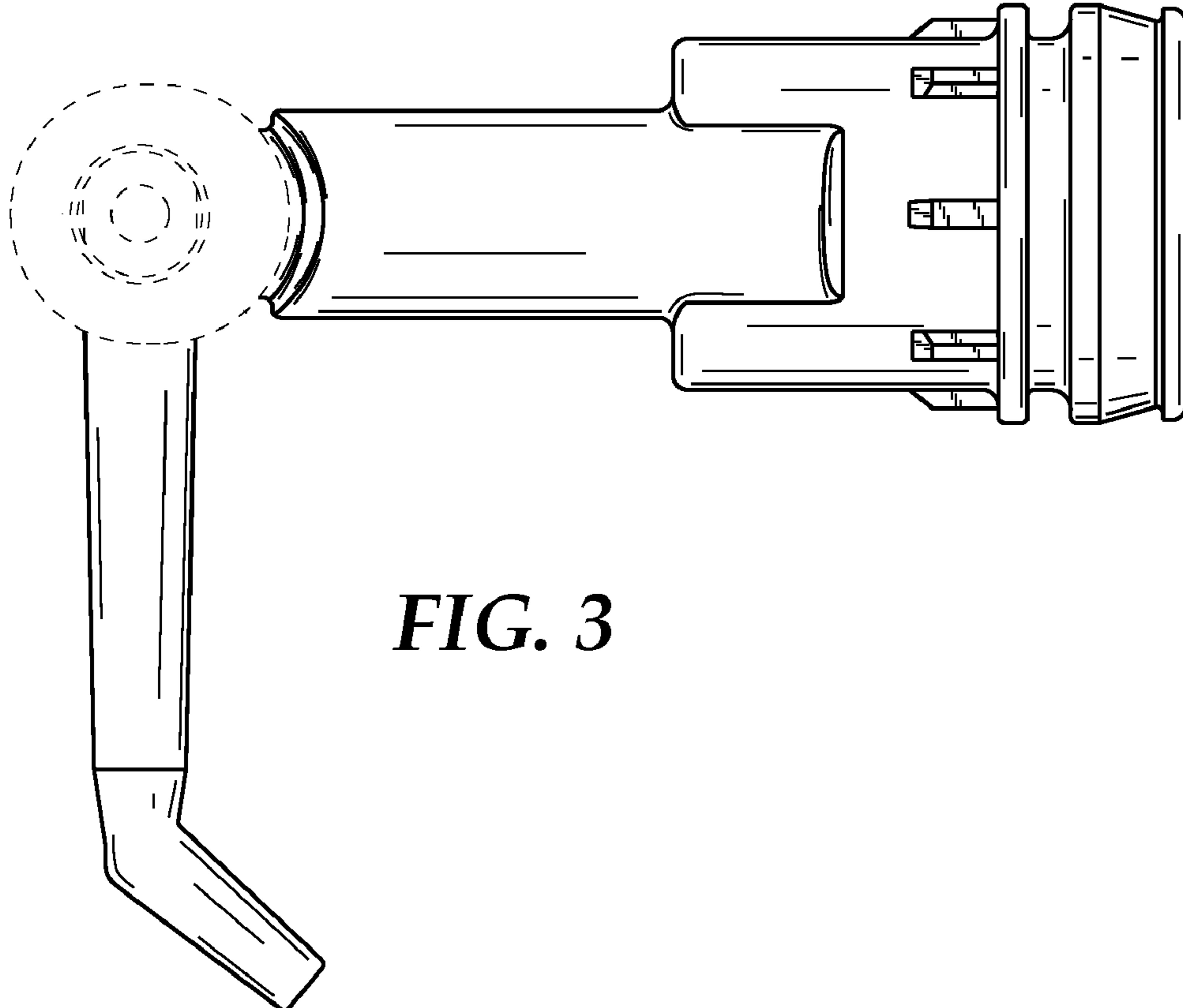


FIG. 3

