



US00D658759S

(12) **United States Design Patent**  
**Marescaux et al.**

(10) **Patent No.:** **US D658,759 S**  
(45) **Date of Patent:** **\*\* May 1, 2012**

(54) **HANDGRIP FOR MEDICAL DEVICE**

(75) Inventors: **Jacques Marescaux**, Scharrachbergheim (FR); **Bernard Dallemagne**, Beauafys (BE); **Silvana Perretta**, Strasbourg (FR); **Uwe Bacher**, Tuttlingen (DE); **Sabine Summerer**, Ebersberg (DE)

(73) Assignee: **Karl Storz GmbH & Co. KG**, Tuttlingen (DE)

(\*\*) Term: **14 Years**

(21) Appl. No.: **29/387,752**

(22) Filed: **Mar. 17, 2011**

**Related U.S. Application Data**

(62) Division of application No. 29/350,520, filed on Nov. 18, 2009, now Pat. No. Des. 636,872.

(30) **Foreign Application Priority Data**

May 18, 2009 (EM) ..... 001516550-0001  
May 18, 2009 (EM) ..... 001516550-0002

(51) **LOC (9) Cl.** ..... **24-02**

(52) **U.S. Cl.** ..... **D24/133**

(58) **Field of Classification Search** ..... D24/133, D24/138, 143, 146, 147; 606/1, 167, 174, 606/205, 206; 600/153, 154, 564  
See application file for complete search history.

(56) **References Cited**

**U.S. PATENT DOCUMENTS**

D568,993 S \* 5/2008 Melanson et al. .... D24/133  
D604,844 S \* 11/2009 Summerer et al. .... D24/133

D606,192 S \* 12/2009 Summerer et al. .... D24/133  
D609,809 S \* 2/2010 Summerer et al. .... D24/138  
D631,155 S \* 1/2011 Peine et al. .... D24/133  
D636,872 S \* 4/2011 Marescaux et al. .... D24/133  
D640,789 S \* 6/2011 Peine et al. .... D24/133  
D650,480 S \* 12/2011 Scholly ..... D24/138  
2009/0054733 A1 \* 2/2009 Marescaux et al. .... 600/141  
2009/0247994 A1 \* 10/2009 Bacher et al. .... 606/1  
2009/0247995 A1 \* 10/2009 Bacher et al. .... 606/1  
2009/0248053 A1 \* 10/2009 Bacher et al. .... 606/170  
2010/0268268 A1 \* 10/2010 Bacher et al. .... 606/206

\* cited by examiner

*Primary Examiner* — Bridget L Eland

(74) *Attorney, Agent, or Firm* — Muncy, Geissler, Olds & Lowe, PLLC

(57) **CLAIM**

The ornamental design for a handgrip for medical device, as shown and described.

**DESCRIPTION**

FIG. 1 is a left side perspective view of a handgrip for medical device according to the present invention.

FIG. 2 is a right side perspective view of the handgrip for medical device of FIG. 1.

FIG. 3 is a front perspective view of the handgrip for medical device of FIG. 1.

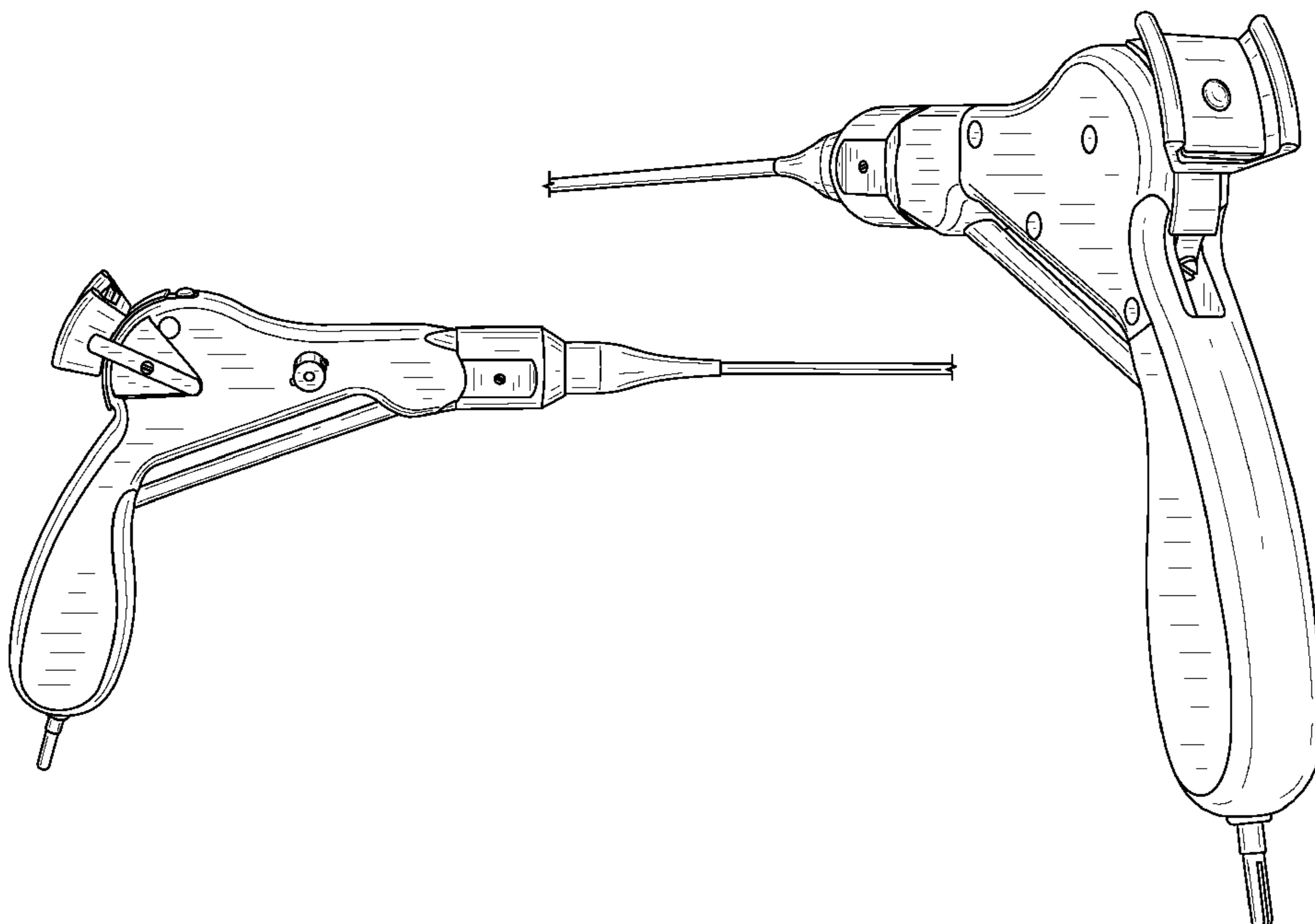
FIG. 4 is a rear perspective view of the handgrip for medical device of FIG. 1.

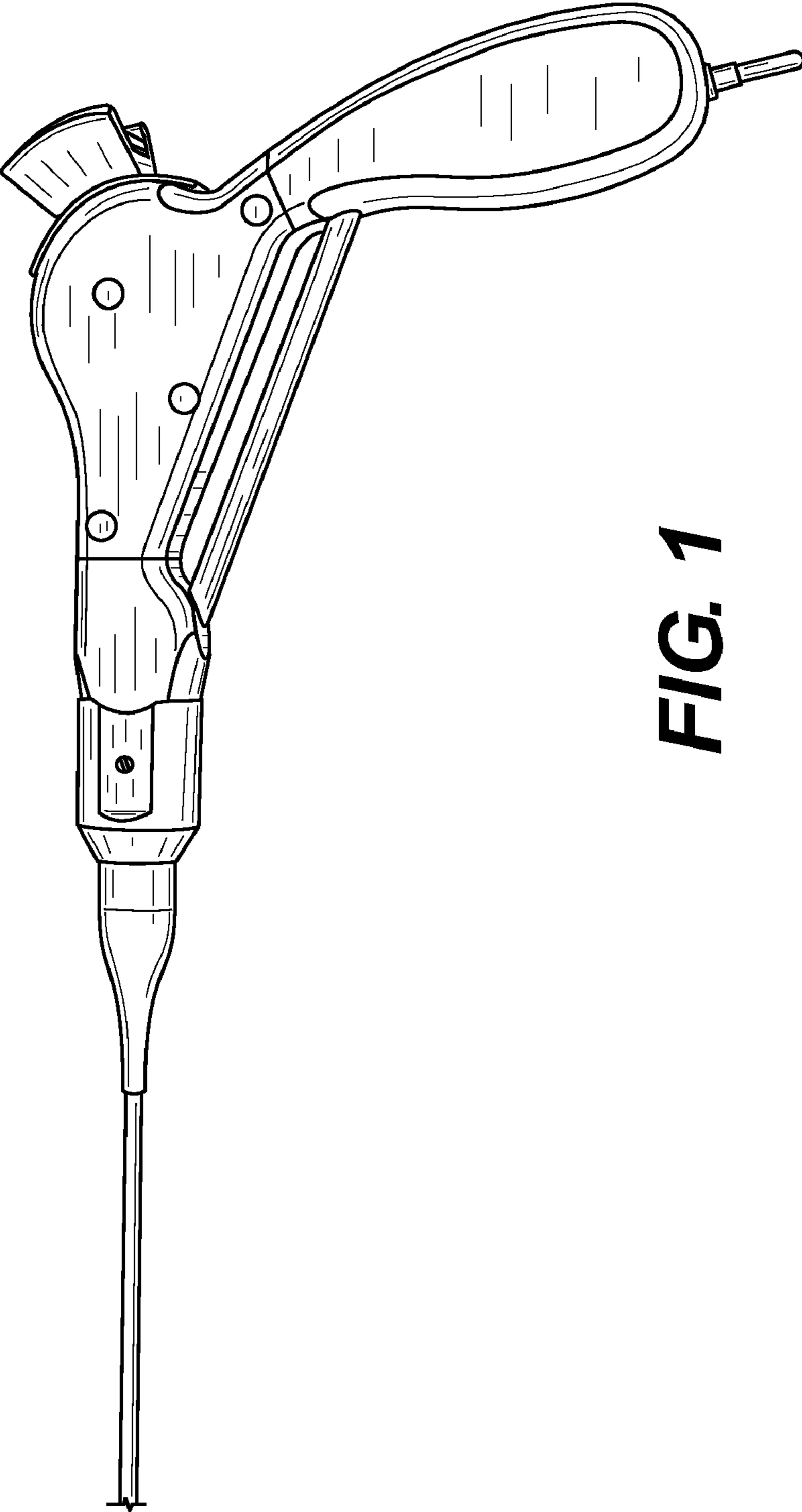
FIG. 5 is a top perspective view of the handgrip for medical device of FIG. 1.

FIG. 6 is a bottom perspective view of the handgrip for medical device of FIG. 1; and,

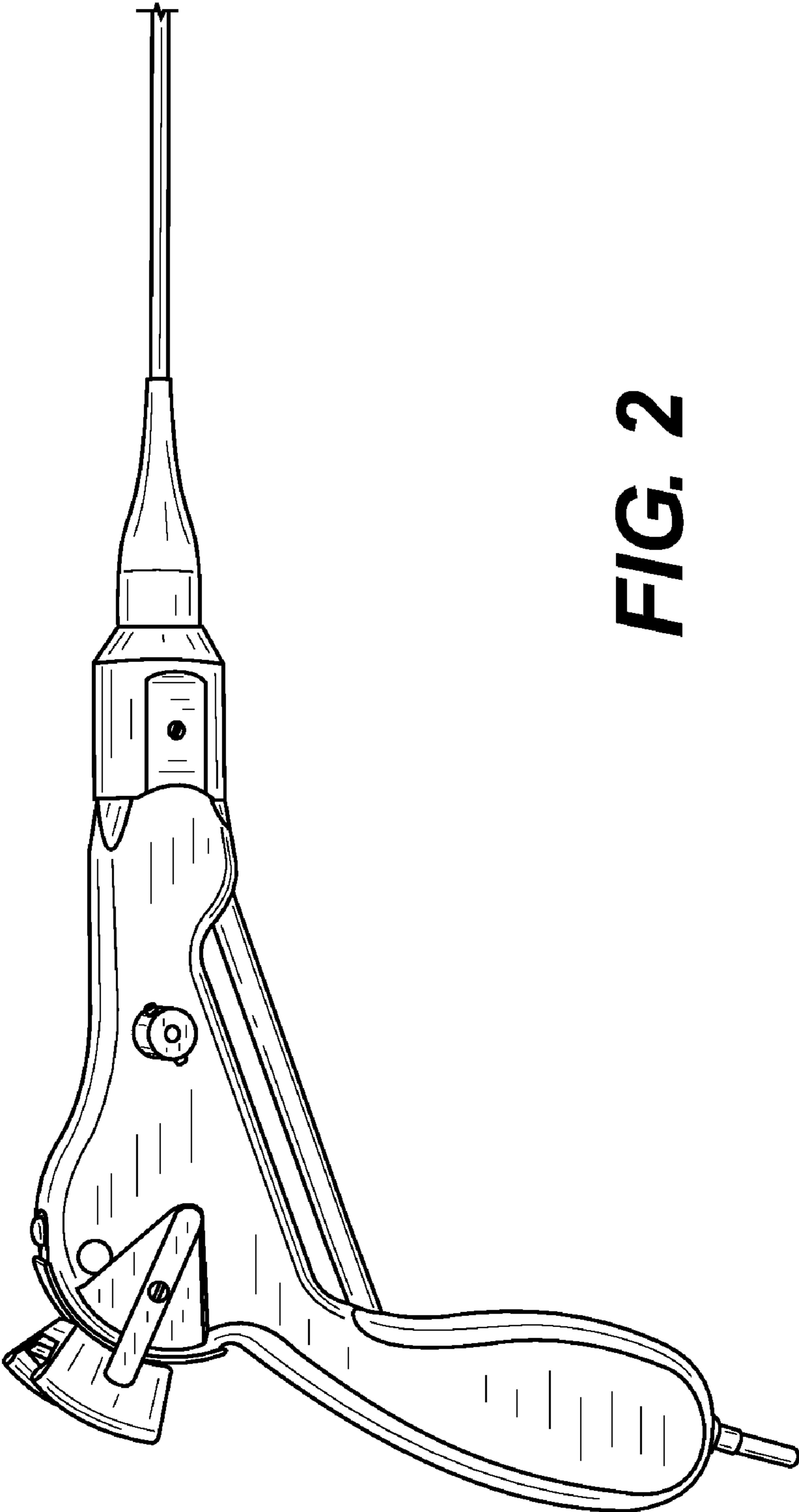
FIG. 7 is a three-quarters perspective view of the handgrip for medical device of FIG. 1.

**1 Claim, 7 Drawing Sheets**

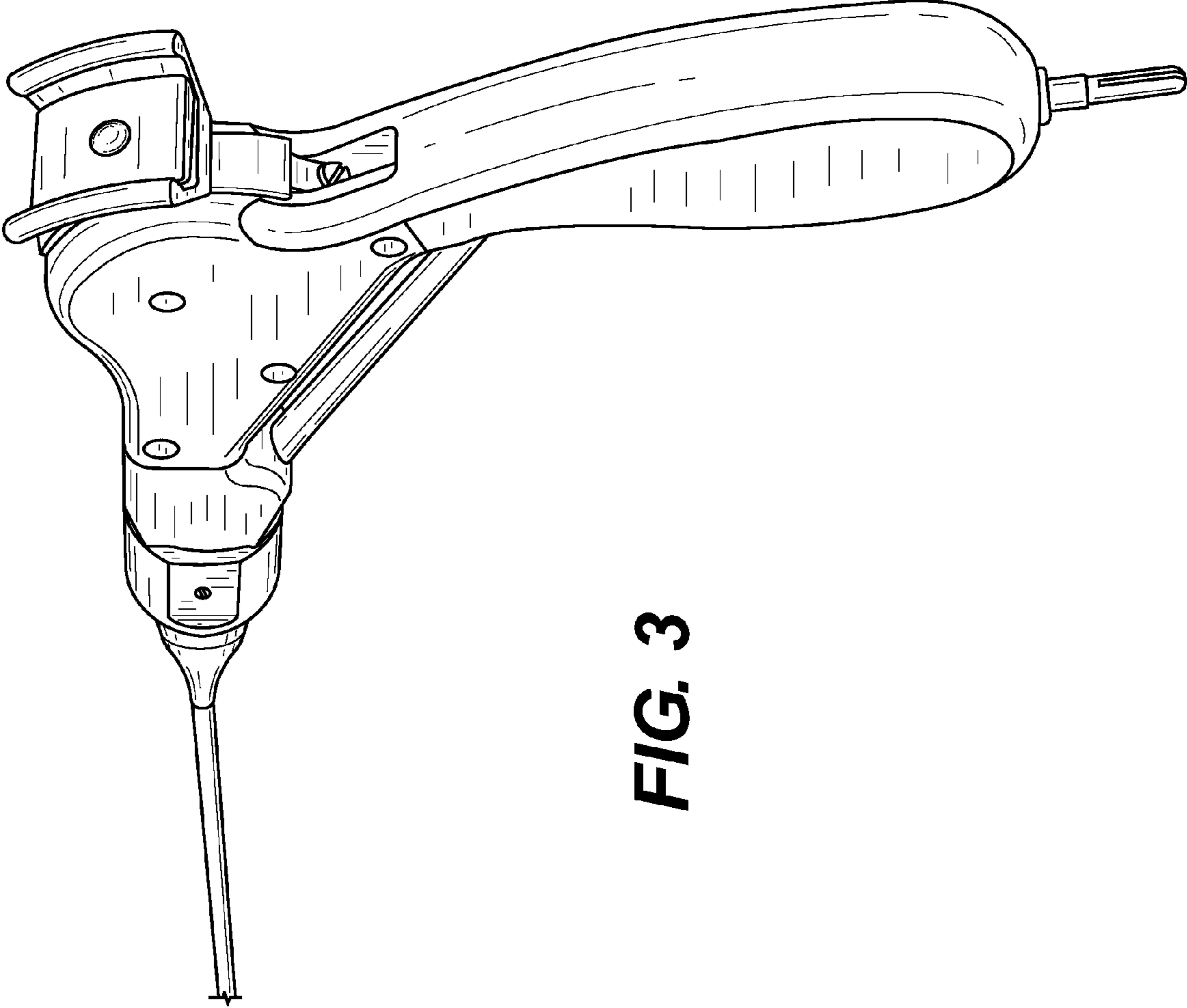




**FIG. 1**



**FIG. 2**



**FIG. 3**

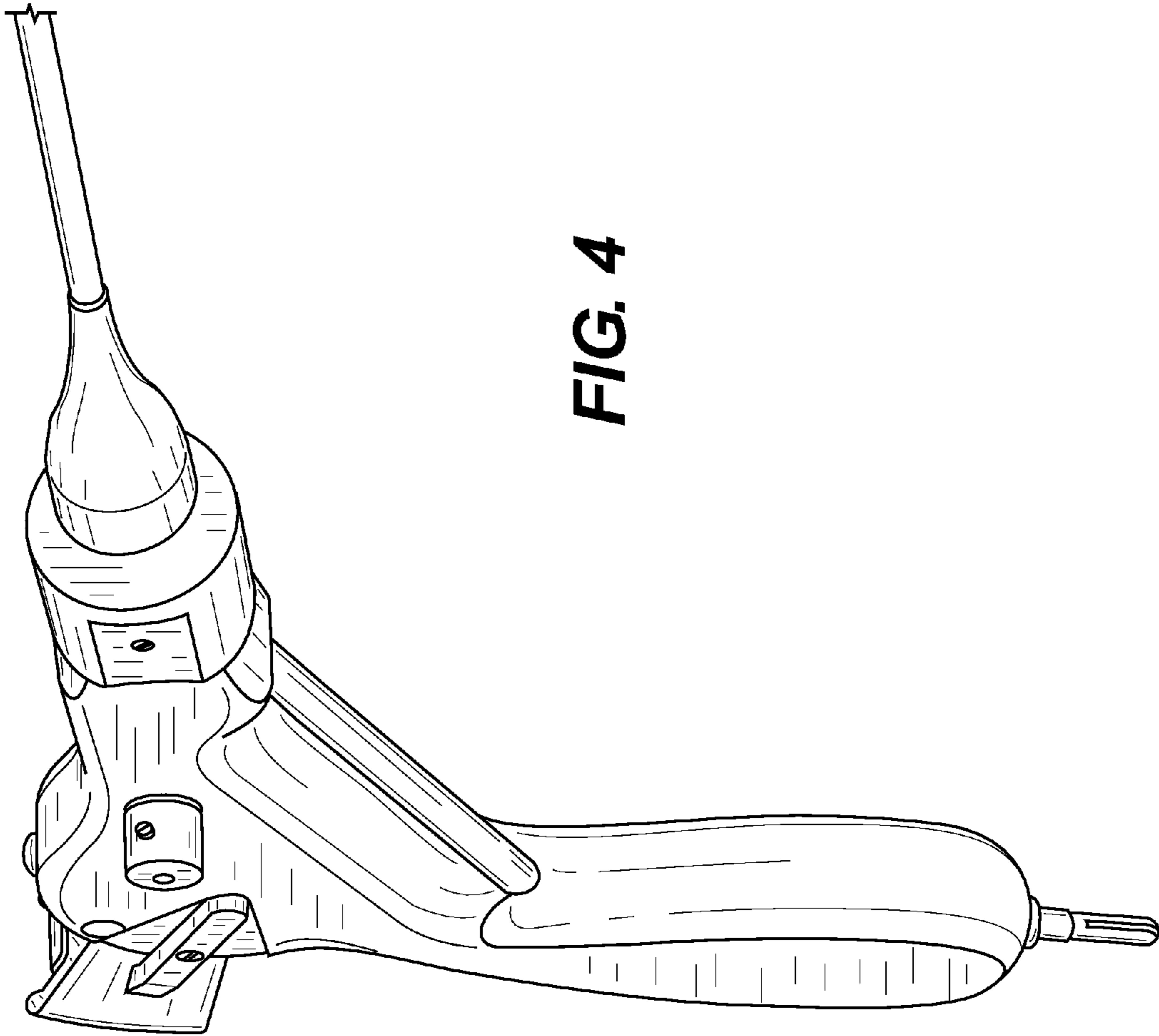
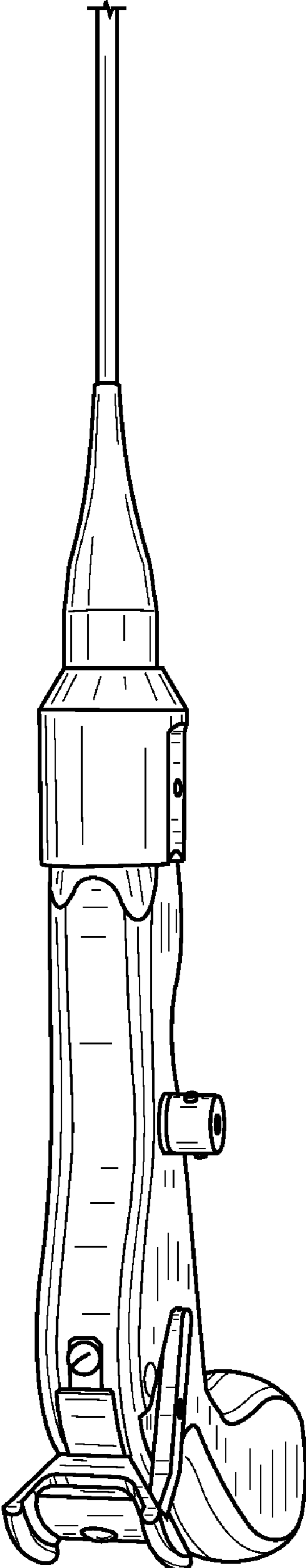
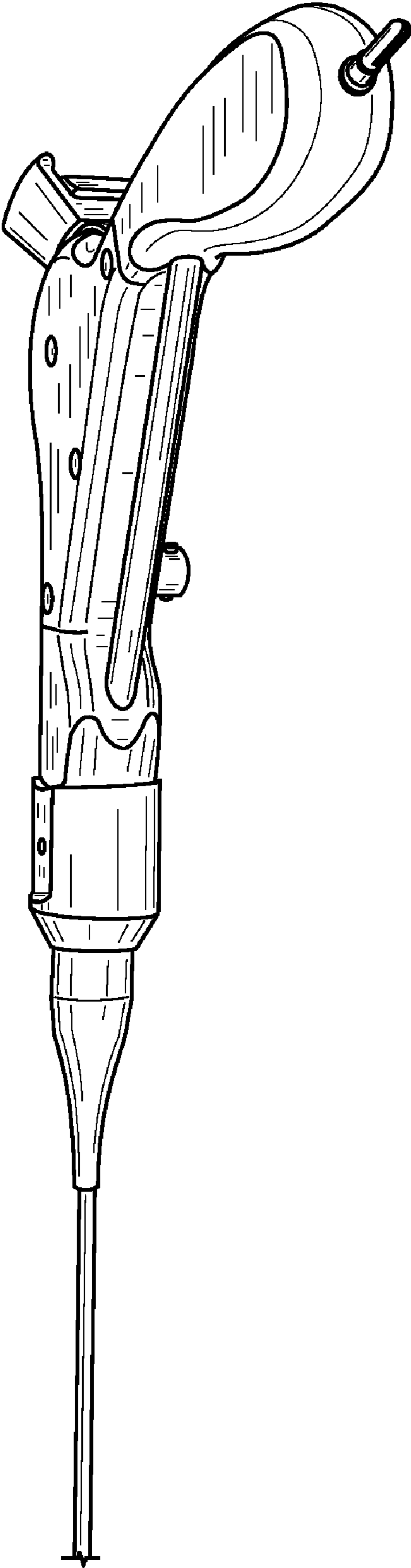


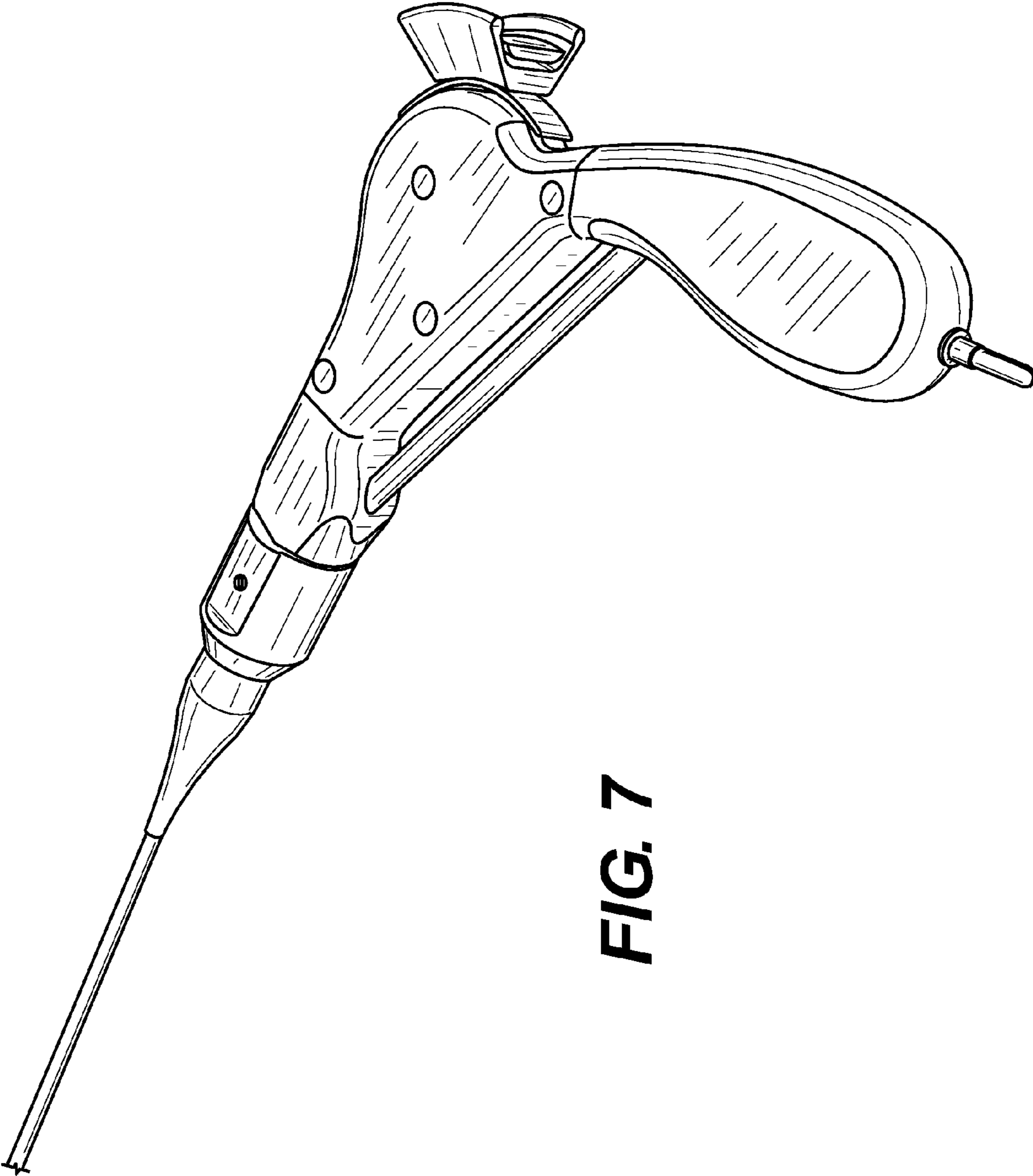
FIG. 4



**FIG. 5**



**FIG. 6**



**FIG. 7**