



US00D658754S

(12) **United States Design Patent**  
**Mandell et al.**

(10) **Patent No.:** **US D658,754 S**  
(45) **Date of Patent:** **\*\* May 1, 2012**

(54) **OUTLET FOR A DIFFUSER**  
(75) Inventors: **Jonathan N. Mandell**, Gurnee, IL (US);  
**Joseph Thomas Graceffa**, Chicago, IL (US); **George Kyaw Soe Maung Aye**,  
Chicago, IL (US)  
(73) Assignee: **S.C. Johnson & Son, Inc.**, Racine, WI (US)

D542,902 S \* 5/2007 Caserta et al. .... D23/366  
D542,903 S 5/2007 Caserta et al.  
D548,318 S 8/2007 Copeman  
D556,311 S \* 11/2007 Copeman ..... D23/366  
D562,958 S 2/2008 Feriani et al.  
D574,941 S \* 8/2008 Weggelaar ..... D23/366  
D604,402 S 11/2009 Tomas Vilarasa et al.  
D604,824 S 11/2009 Paolazzi et al.  
D628,283 S \* 11/2010 Valentino et al. .... D23/366

\* cited by examiner

(\*\*) Term: **14 Years**

*Primary Examiner* — Sandra Snapp

(21) Appl. No.: **29/369,531**

(57) **CLAIM**

The ornamental design for an outlet for a diffuser, as shown and described herein.

(22) Filed: **Sep. 9, 2010**

(51) **LOC (9) Cl.** ..... **28-99**

(52) **U.S. Cl.** ..... **D23/366**

(58) **Field of Classification Search** ..... D23/355-369;  
D28/5, 6; 261/DIG. 17, DIG. 42, DIG. 47,  
261/DIG. 55, DIG. 65, DIG. 70, DIG. 88,  
261/DIG. 89; 392/386, 390, 392, 394, 395;  
239/34, 44, 53, 56, 60, 308, 326; 242/590,  
242/594.5, 599

**DESCRIPTION**

FIG. 1 is a top perspective view of an outlet for a diffuser;  
FIG. 2 is a front elevational view of the outlet of FIG. 1,  
wherein a rear elevational view of the outlet is identical  
thereto;

See application file for complete search history.

FIG. 3 is an elevational view of a first side of the outlet of FIG. 1, wherein an elevational view of a second side of the outlet opposite the first side is identical thereto; and,  
FIG. 4 is a top plan view of the outlet of FIG. 1.

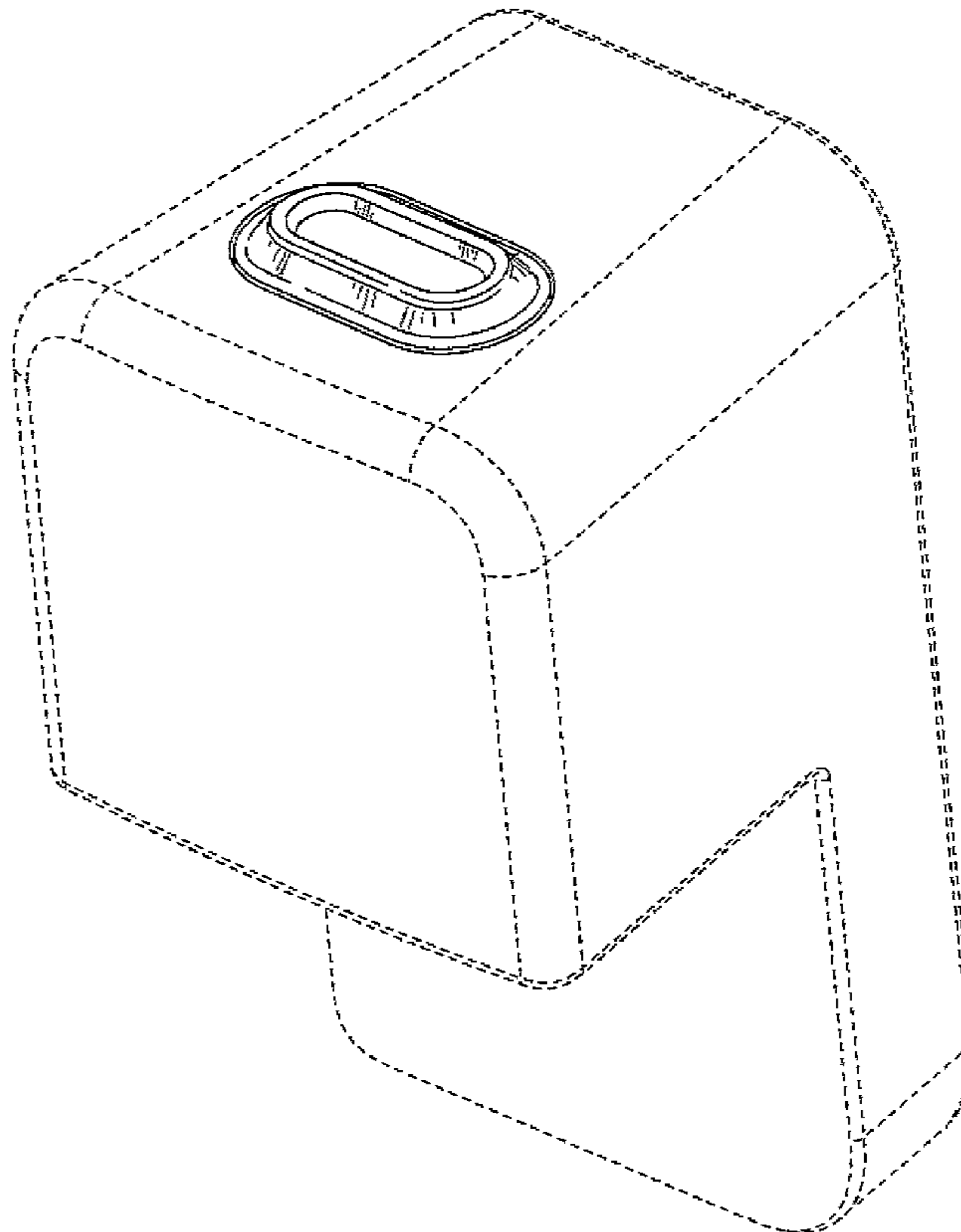
The subject matter shown in the figures above in dashed lines forms no part of the claimed invention.

(56) **References Cited**

U.S. PATENT DOCUMENTS

D453,560 S \* 2/2002 Van Brunt ..... D23/355  
D510,423 S \* 10/2005 Caserta et al. .... D23/366

**1 Claim, 4 Drawing Sheets**



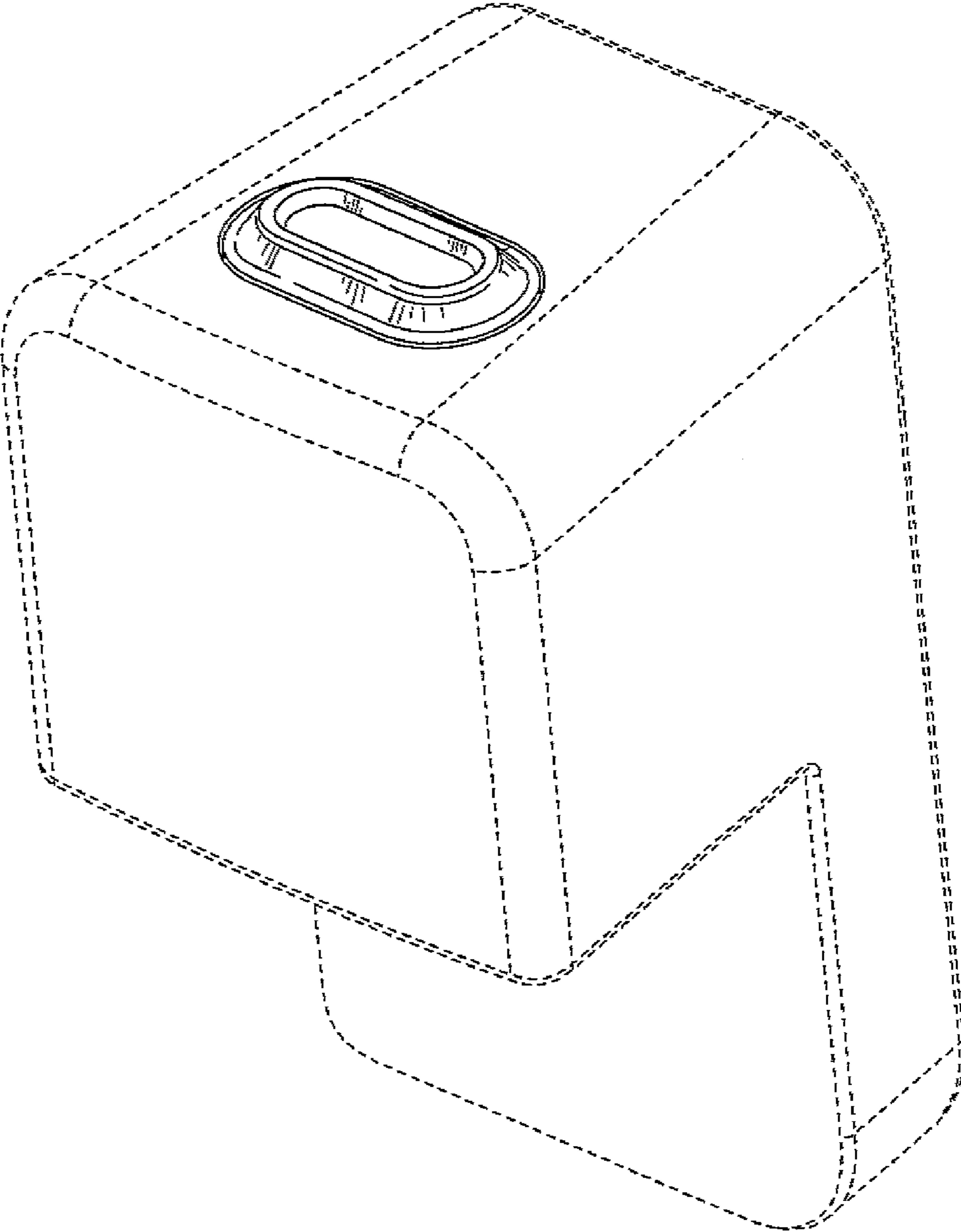


FIG. 1

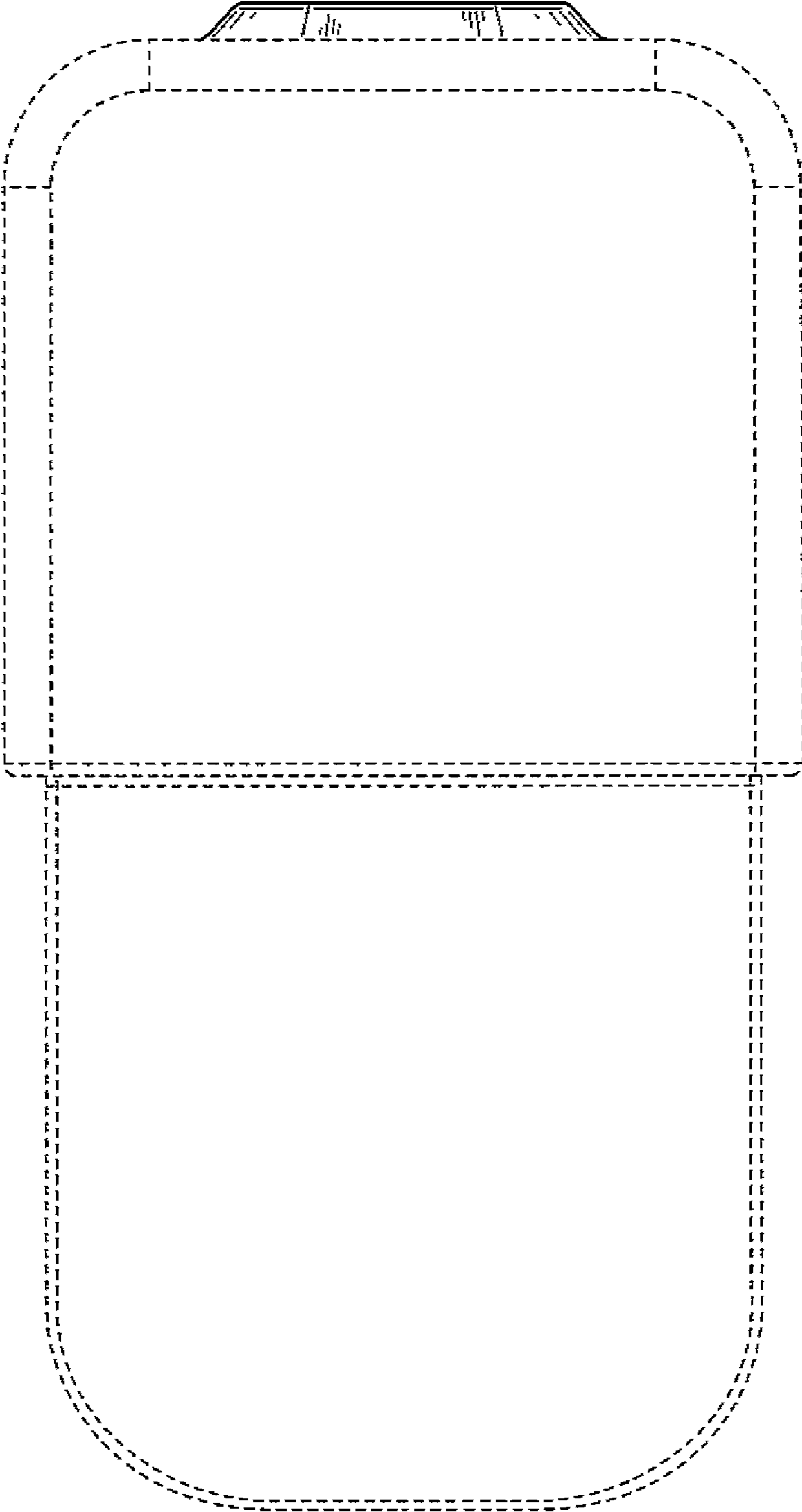


FIG. 2

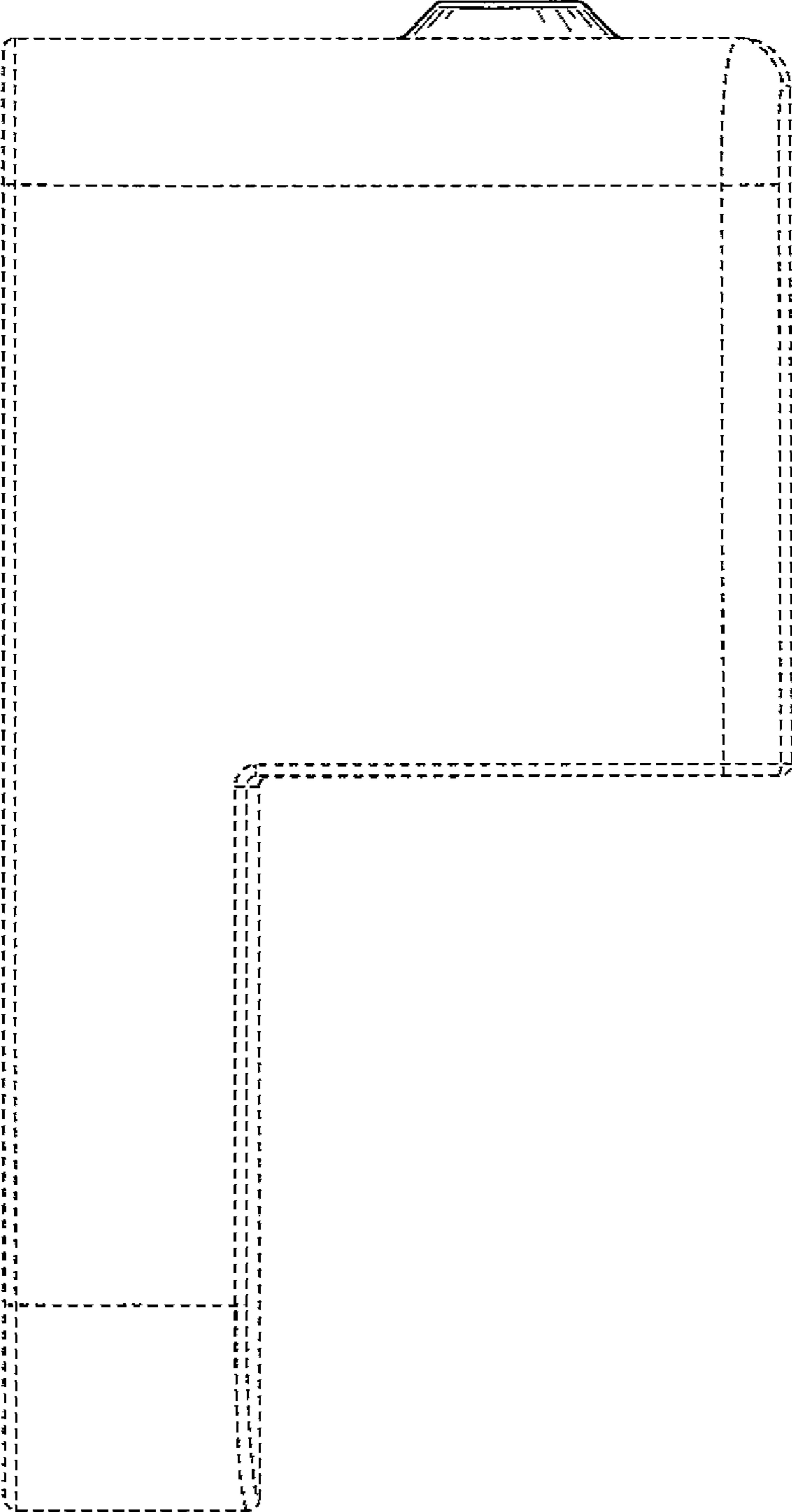
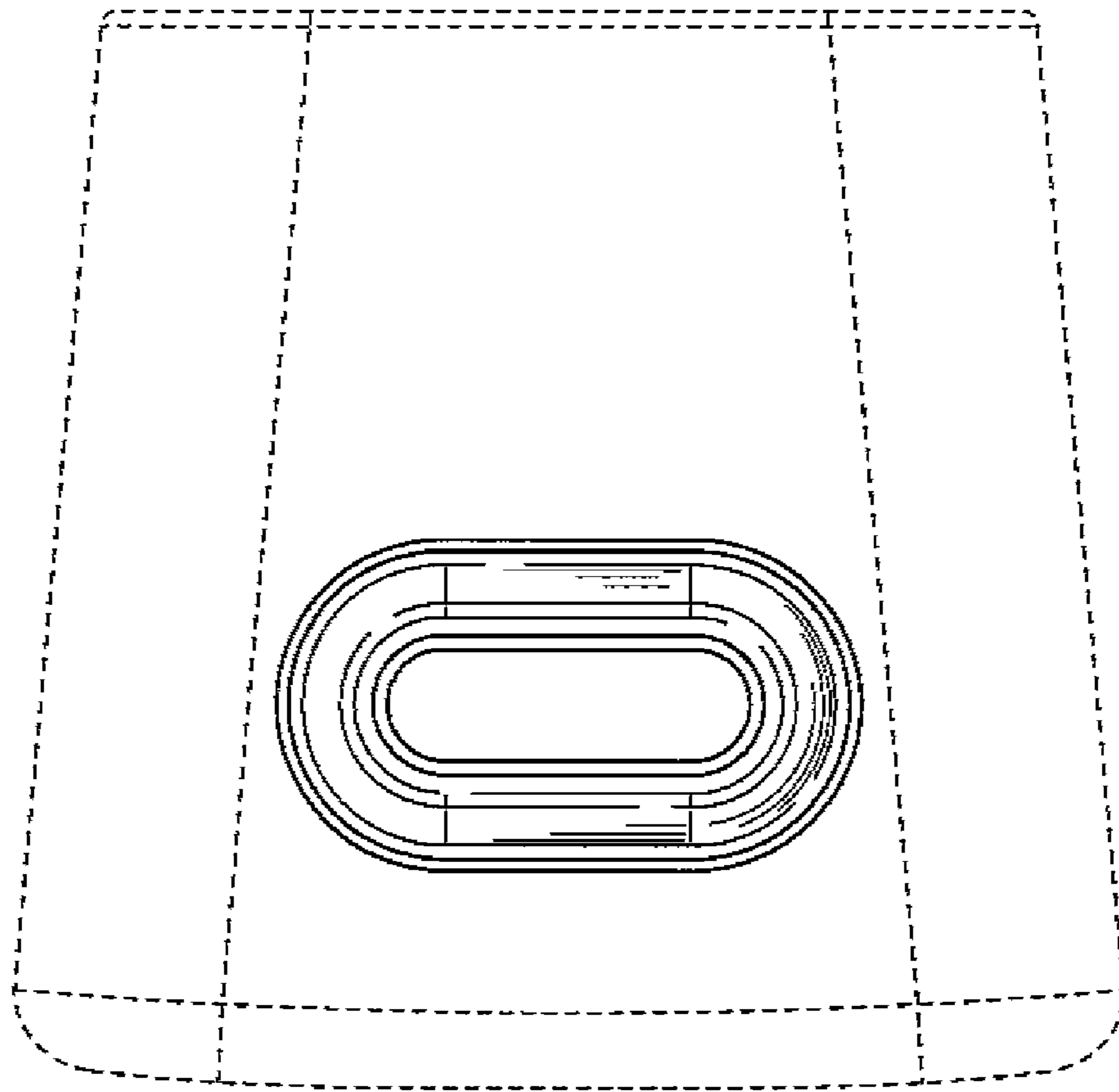


FIG. 3



**FIG. 4**