



US00D658750S

(12) **United States Design Patent**  
**Nemes**

(10) **Patent No.:** **US D658,750 S**

(45) **Date of Patent:** **\*\* May 1, 2012**

(54) **ELECTRIC FIREPLACE**

(75) Inventor: **Tyler Nemes**, Delray Beach, FL (US)

(73) Assignee: **Twin-Star International, Inc.**, Delray Beach, FL (US)

(\*\*) Term: **14 Years**

(21) Appl. No.: **29/403,657**

(22) Filed: **Oct. 10, 2011**

(51) **LOC (9) Cl.** ..... **23-03**

(52) **U.S. Cl.** ..... **D23/344**

(58) **Field of Classification Search** ..... D23/314,  
D23/332, 335-337, 339-341, 352, 355, 362,  
D23/364; 416/244 R, 347 R, 53.1, 53.3;  
392/365, 367

See application file for complete search history.

(56) **References Cited**

U.S. PATENT DOCUMENTS

D264,497 S *	5/1982	Morande, Jr. ....	D23/344
D272,176 S *	1/1984	Chastain, Jr. ....	D23/344
D283,343 S *	4/1986	Haythornthwaite .....	D23/344
D301,924 S *	6/1989	Craver .....	D23/344
5,303,693 A *	4/1994	Schroeter et al. ....	126/522
D348,726 S *	7/1994	Wilson .....	D23/344
5,590,641 A *	1/1997	Duong .....	126/85 B
D383,836 S *	9/1997	Gerth .....	D23/403
5,752,500 A *	5/1998	Jamieson et al. ....	126/512
D421,647 S *	3/2000	Heger .....	D23/339
D450,821 S *	11/2001	Mills .....	D23/344
D561,317 S *	2/2008	Ou et al. ....	D23/344
D631,533 S *	1/2011	Gallo .....	D23/343

2003/0156828 A1 *	8/2003	Jamieson et al. ....	392/348
2006/0124121 A1 *	6/2006	Reyher .....	126/512
2009/0080871 A1 *	3/2009	Chiu .....	392/348
2010/0326422 A1 *	12/2010	Deng .....	126/512
2011/0080261 A1 *	4/2011	Asofsky et al. ....	340/6.1
2011/0162636 A1 *	7/2011	Gallo .....	126/523

\* cited by examiner

*Primary Examiner* — T. Chase Nelson

*Assistant Examiner* — Eric Goodman

(74) *Attorney, Agent, or Firm* — James David Johnson, P.A.;  
James David Johnson

(57) **CLAIM**

The ornamental designs for an electric fireplace, as shown and described.

**DESCRIPTION**

FIG. 1 is a perspective view of an ornamental design for an electric fireplace.

FIG. 2 is a front plan view of the electric fireplace of FIG. 1.

FIG. 3 is a rear plan view of the electric fireplace of FIG. 1.

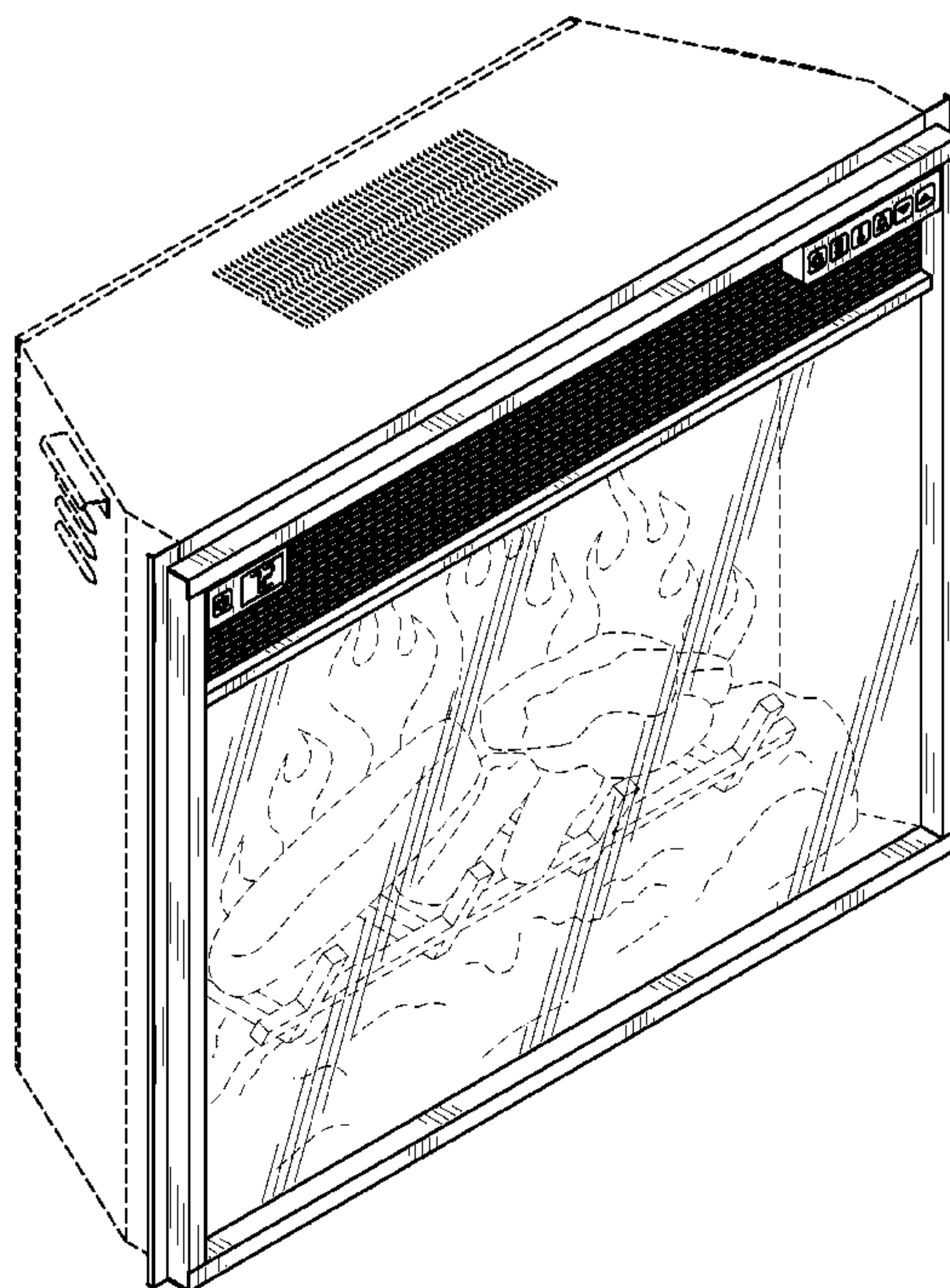
FIG. 4 is a top plan view of the electric fireplace of FIG. 1.

FIG. 5 is a bottom plan view of the electric fireplace of FIG. 1.

FIG. 6 is a left side view of the electric fireplace of FIG. 1; and,

FIG. 7 is a right side view of the electric fireplace of FIG. 1. The broken line illustration of log sets, simulated flames, digital temperature display, and top, bottom, rear, left side, and right side portions is shown for the purpose of illustrating environmental structure of the article and forms no part of the claimed design.

**1 Claim, 5 Drawing Sheets**



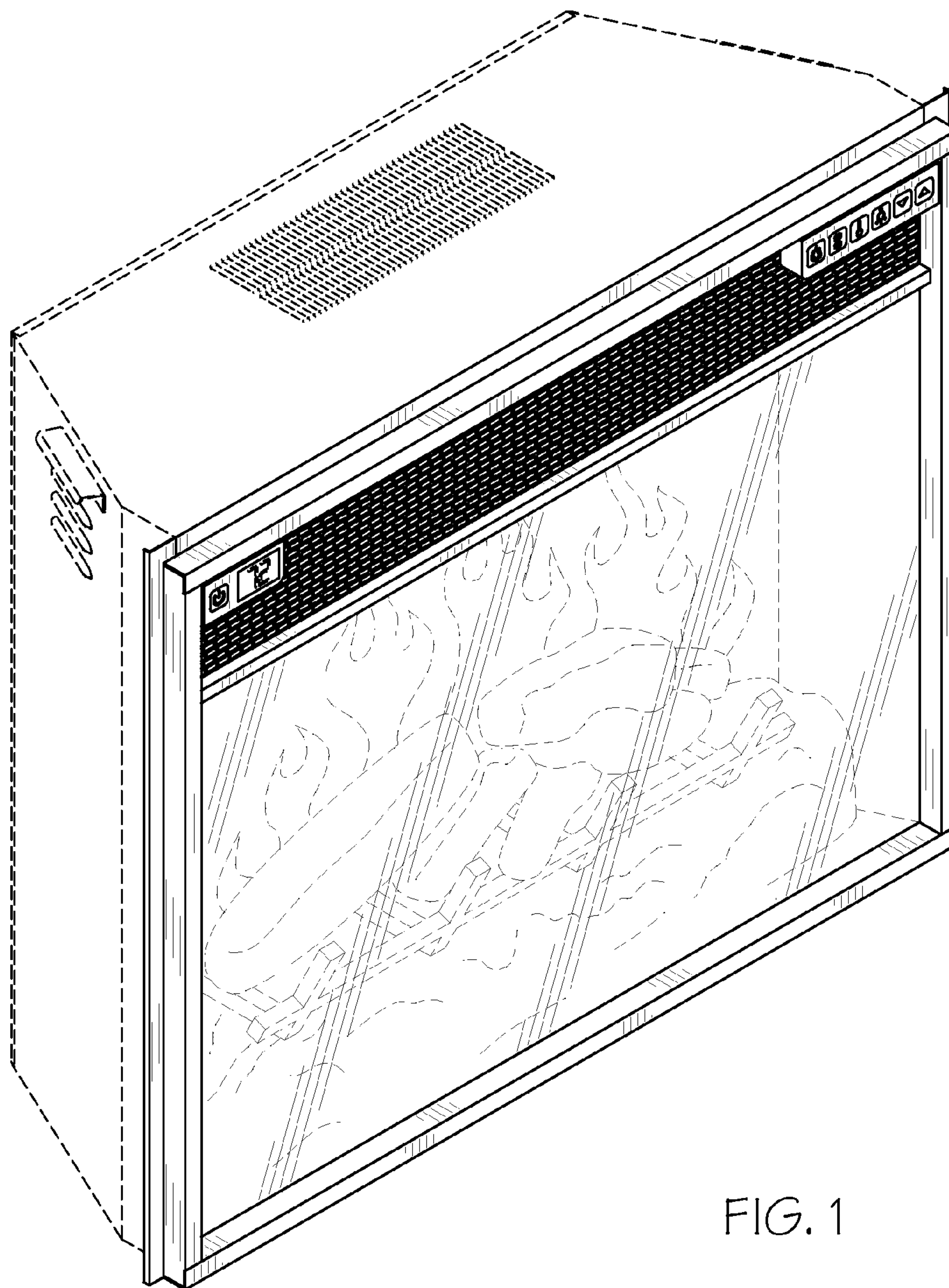


FIG. 1



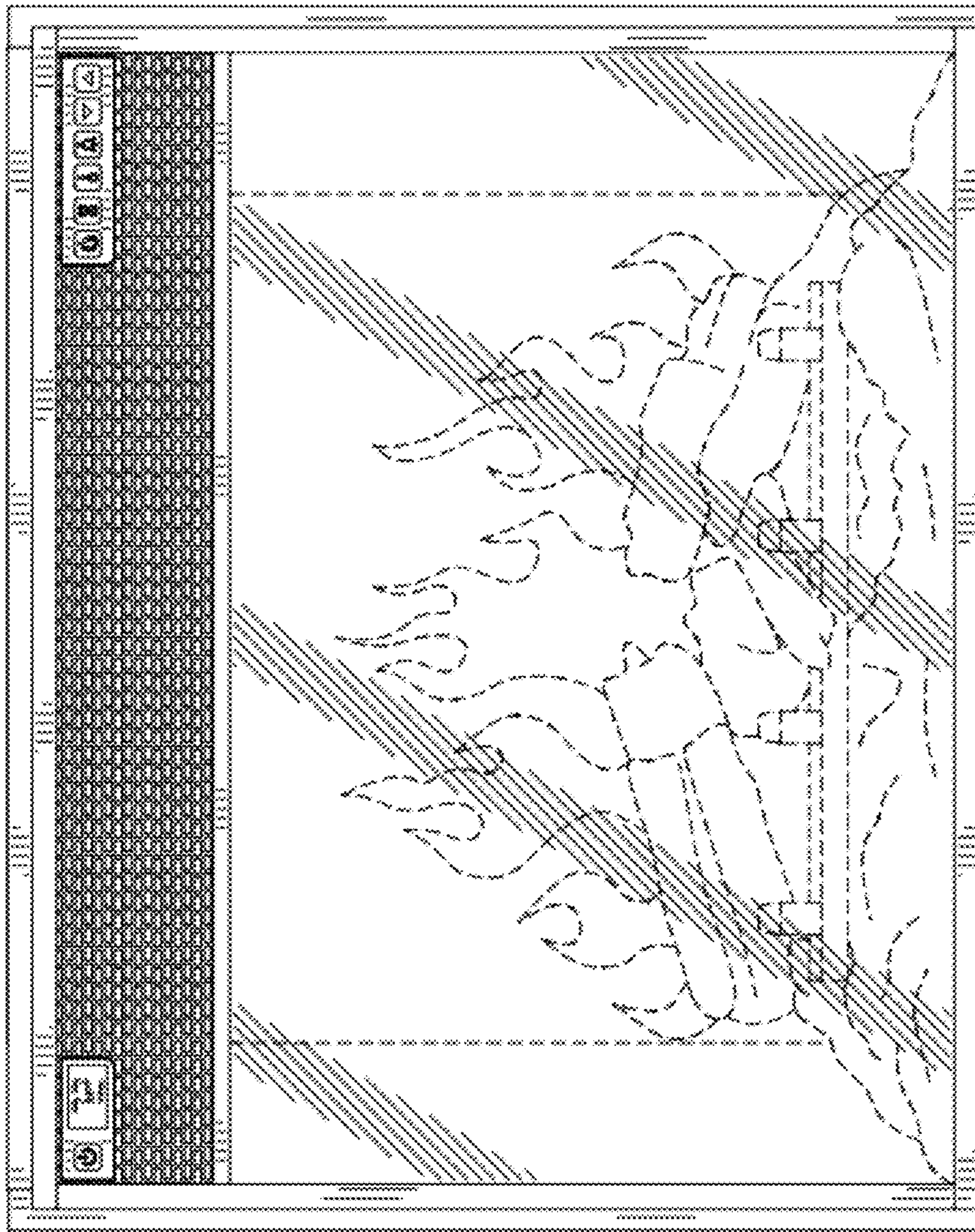


FIG. 2



FIG. 3

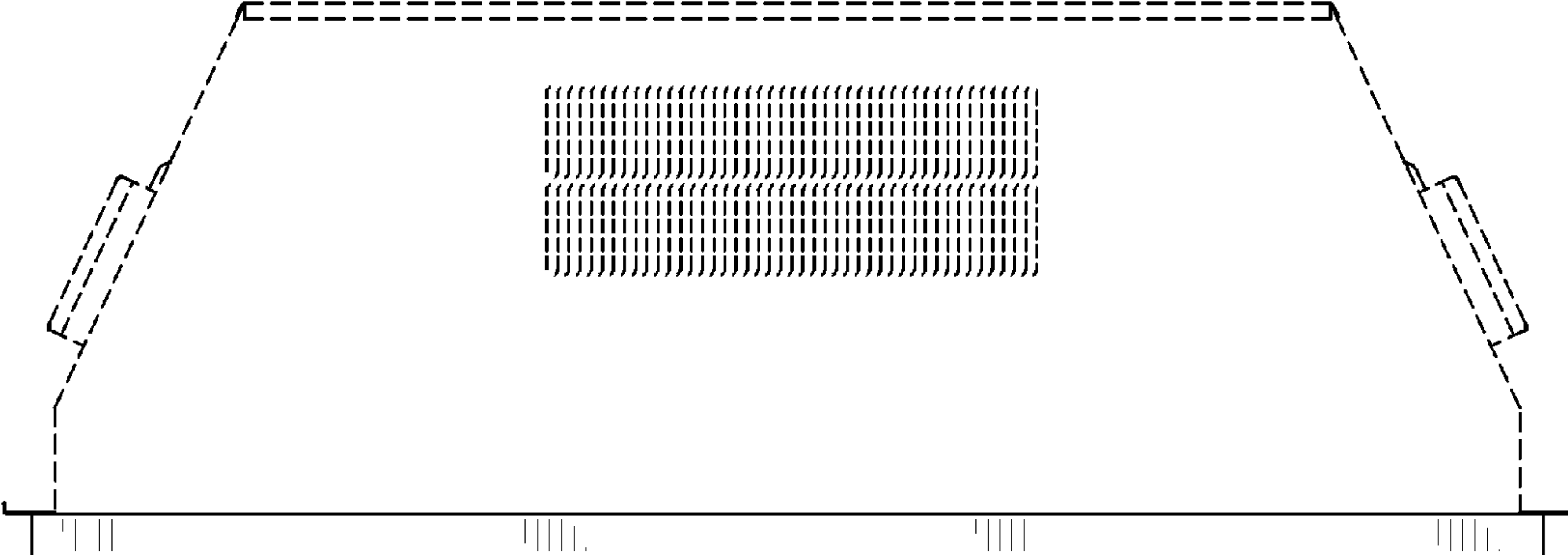


FIG. 4

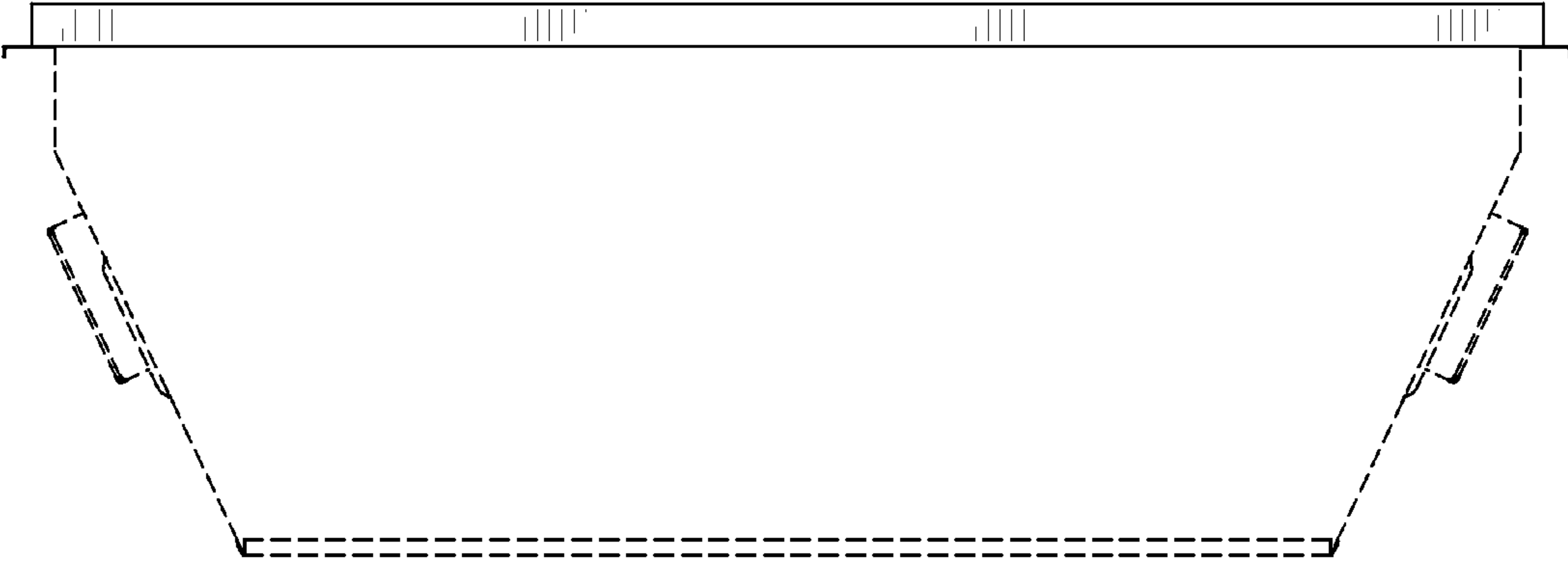


FIG. 5

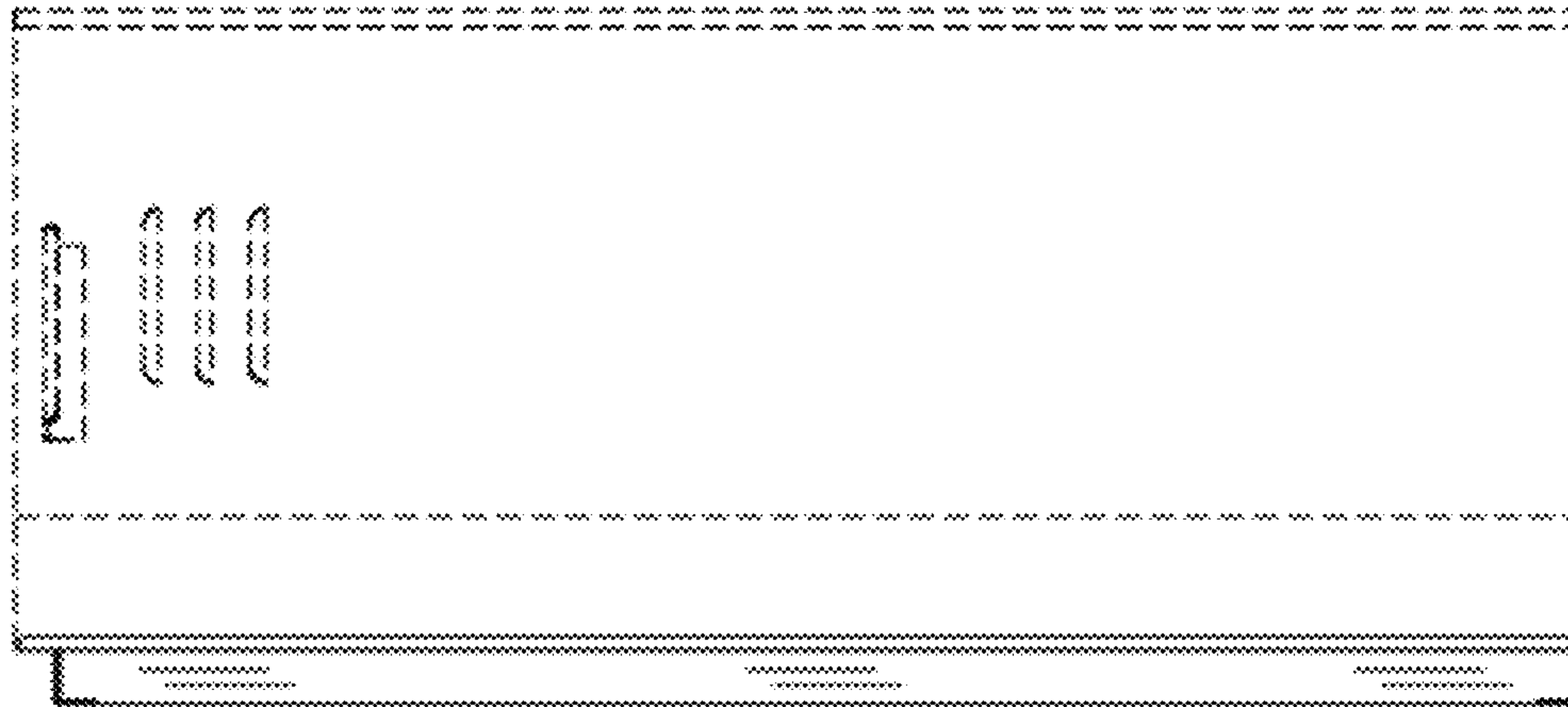


FIG. 7

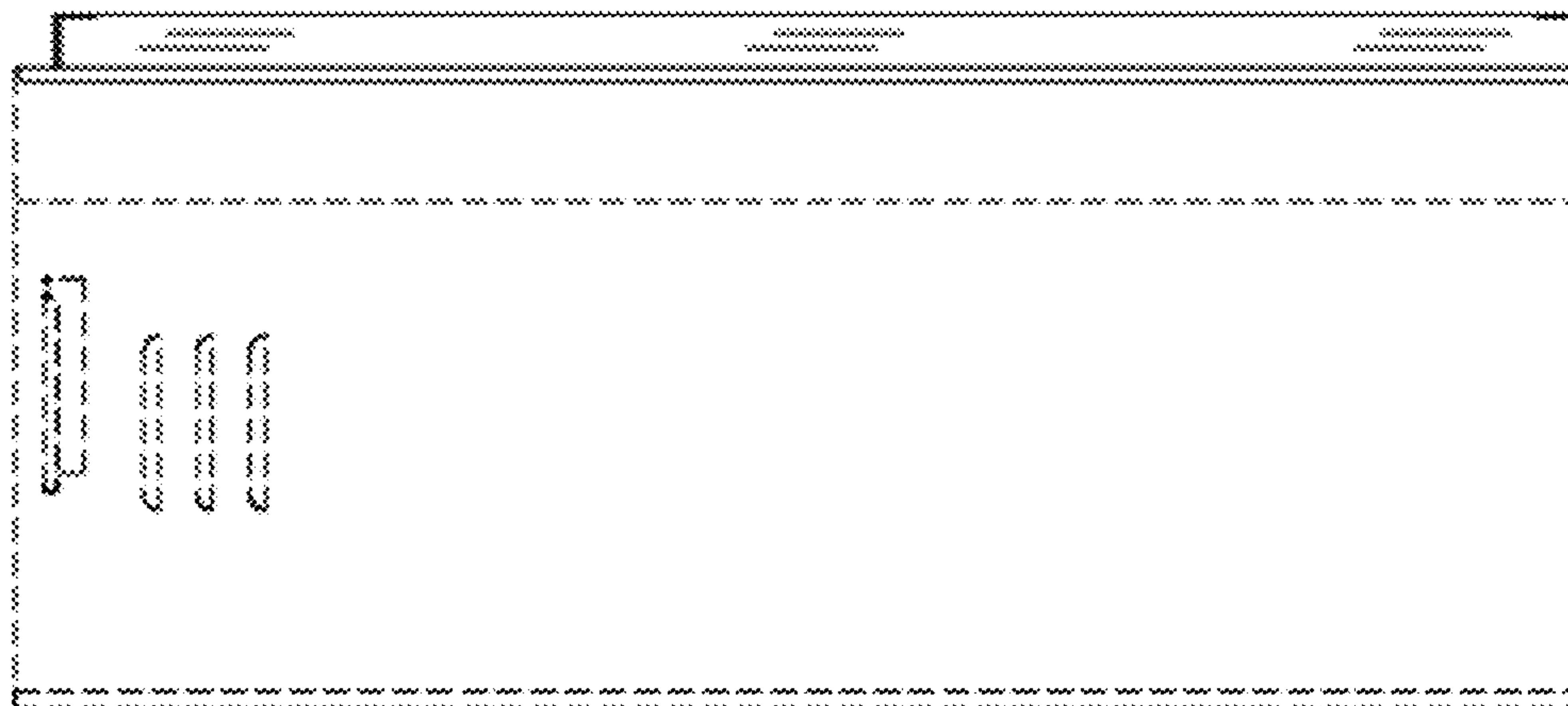


FIG. 6