



US00D658749S

(12) **United States Design Patent**
Crowe et al.

(10) **Patent No.:** **US D658,749 S**

(45) **Date of Patent:** **** May 1, 2012**

(54) **ELECTRIC FIREPLACE**

(75) Inventors: **Matthew Crowe**, Chelsea (CA); **Dong Zhi Xu**, Dongguan (CN); **Fu Bo Wei**, Dongguan (CN); **Ming Wang**, Dongguan (CN)

(73) Assignee: **Twin-Star International, Inc.**, Delray Beach, FL (US)

(**) Term: **14 Years**

(21) Appl. No.: **29/403,655**

(22) Filed: **Oct. 10, 2011**

(51) **LOC (9) Cl.** **23-03**

(52) **U.S. Cl.** **D23/343**

(58) **Field of Classification Search** D23/314,
D23/332, 335-337, 339-341, 352, 355, 362,
D23/364; 416/244 R, 347 R, 53.1, 53.3;
392/365, 367; D14/125-134

See application file for complete search history.

(56) **References Cited**

U.S. PATENT DOCUMENTS

D546,429	S	*	7/2007	Ching et al.	D23/342
D572,682	S	*	7/2008	Won et al.	D14/126
D581,510	S	*	11/2008	Albano et al.	D23/388
D591,409	S	*	4/2009	Kashimoto	D23/351
D592,621	S	*	5/2009	Han	D14/126
D604,818	S	*	11/2009	Lee	D23/332
D624,070	S	*	9/2010	Lee et al.	D14/336
D642,561	S	*	8/2011	Tang et al.	D14/336
D646,246	S	*	10/2011	Kim et al.	D14/126
D646,658	S	*	10/2011	Chino et al.	D14/126
D648,691	S	*	11/2011	Tierney et al.	D14/126
D649,947	S	*	12/2011	Won et al.	D14/126
D650,055	S	*	12/2011	Bryce et al.	D23/332

* cited by examiner

Primary Examiner — T. Chase Nelson

Assistant Examiner — Eric Goodman

(74) *Attorney, Agent, or Firm* — James David Johnson, P.A.

(57) **CLAIM**

The ornamental designs for an electric fireplace, as shown and described.

DESCRIPTION

FIG. 1 is a perspective view of an ornamental design for an electric fireplace with a removable stand.

FIG. 2 is a front plan view of the electric fireplace of FIG. 1.

FIG. 3 is a rear plan view of the electric fireplace of FIG. 1.

FIG. 4 is a top plan view of the electric fireplace of FIG. 1.

FIG. 5 is a bottom plan view of the electric fireplace of FIG. 1.

FIG. 6 is a left side view of the electric fireplace of FIG. 1.

FIG. 7 is a right side view of the electric fireplace of FIG. 1.

FIG. 8 is perspective view of the electric fireplace of FIG. 1 shown without the removable stand.

FIG. 9 is a front plan view of the electric fireplace of FIG. 1 shown without the removable stand.

FIG. 10 is a rear plan view of the electric fireplace of FIG. 1 shown without the removable stand.

FIG. 11 is a top plan view of the electric fireplace of FIG. 1 shown without the removable stand.

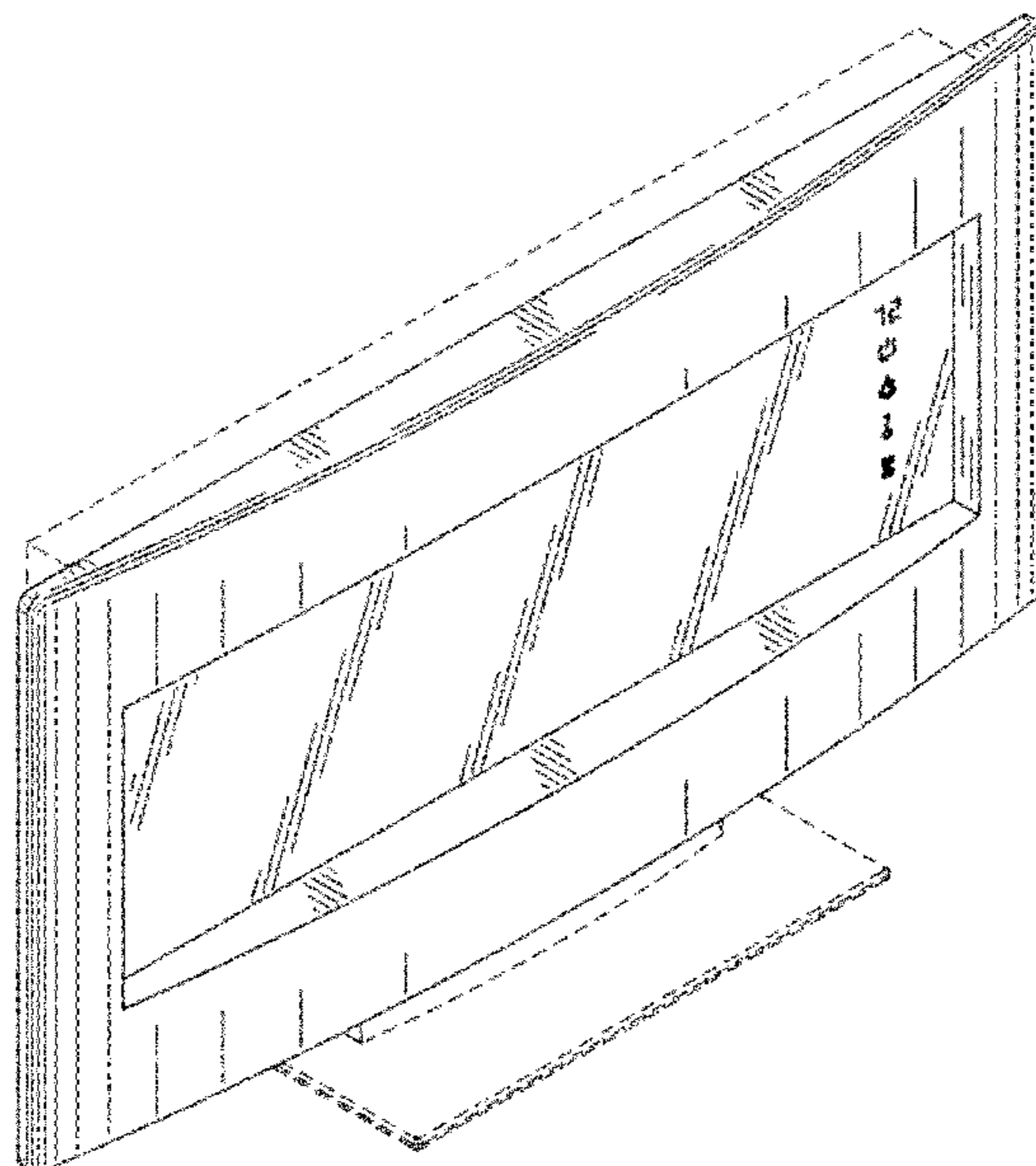
FIG. 12 is a bottom plan view of the electric fireplace of FIG. 1 shown without the removable stand.

FIG. 13 is a left side view of the electric fireplace of FIG. 1 shown without the removable stand; and,

FIG. 14 is a right side view of the electric fireplace of FIG. 1 shown without the removable stand.

The broken line illustration of the removable stand, digital displays, and top, bottom, rear, left side, and right side portions is shown for the purpose of illustrating environmental structure of the article and forms no part of the claimed design.

1 Claim, 10 Drawing Sheets



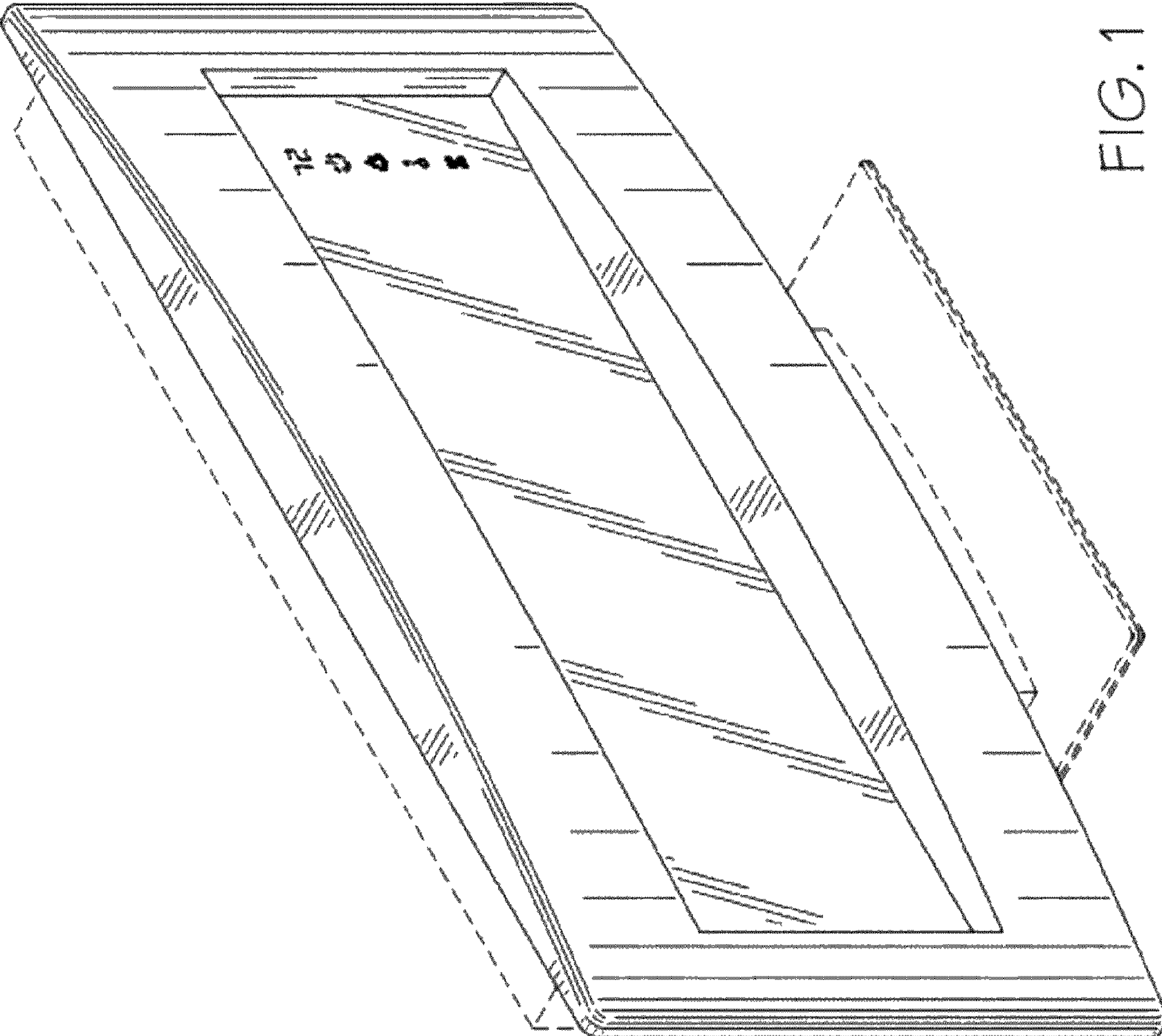


FIG. 1

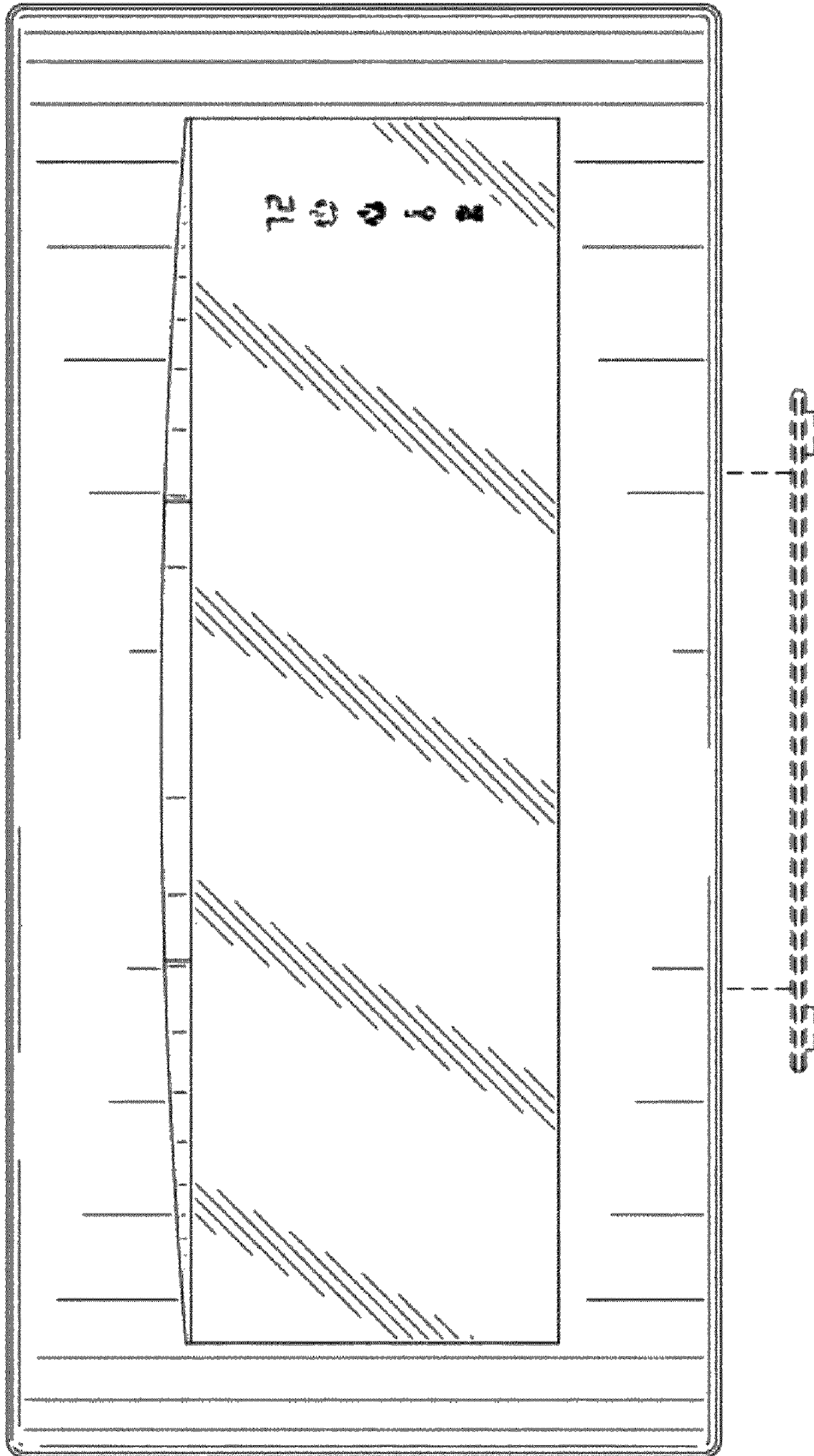


FIG. 2

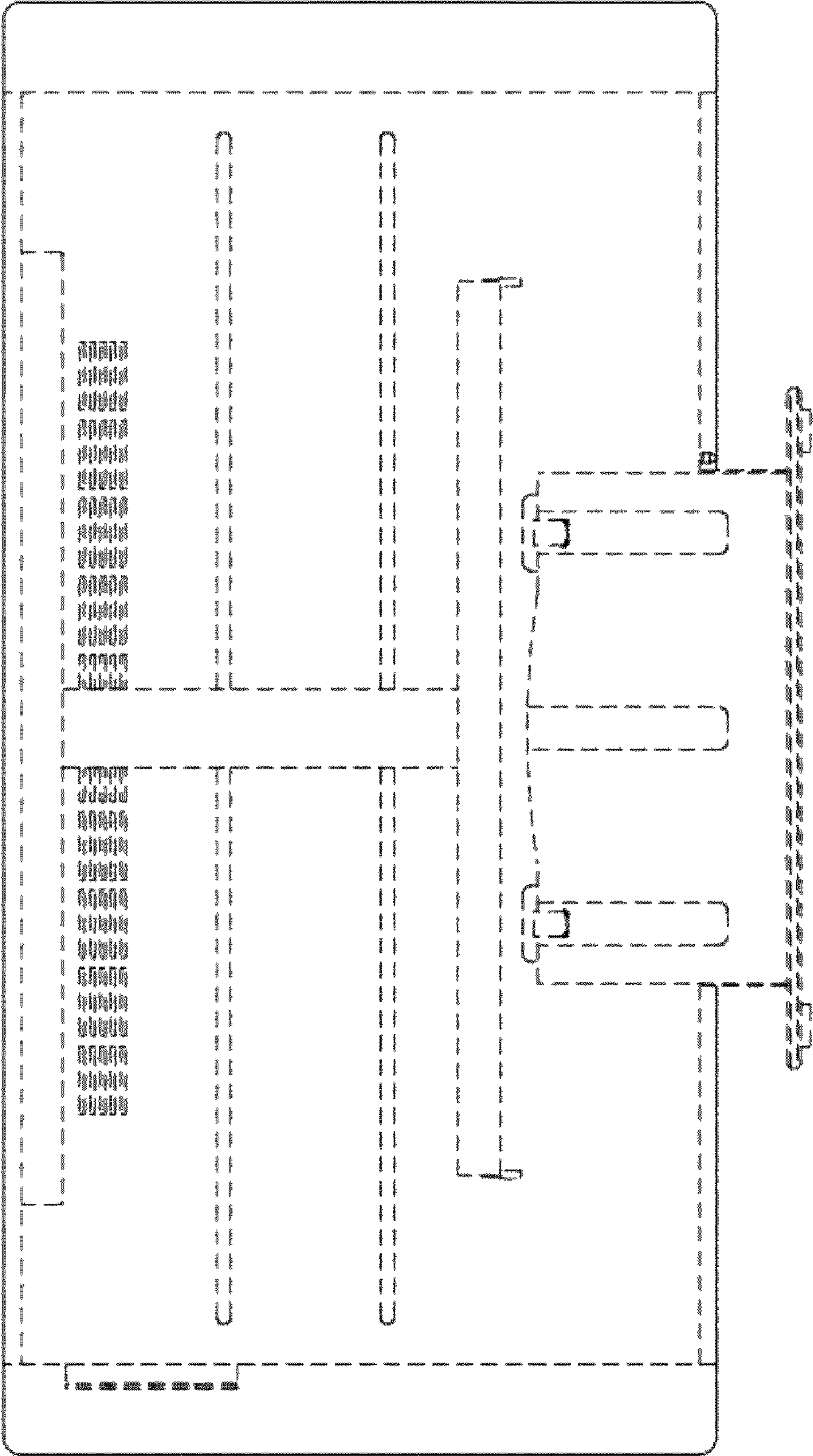


FIG. 3

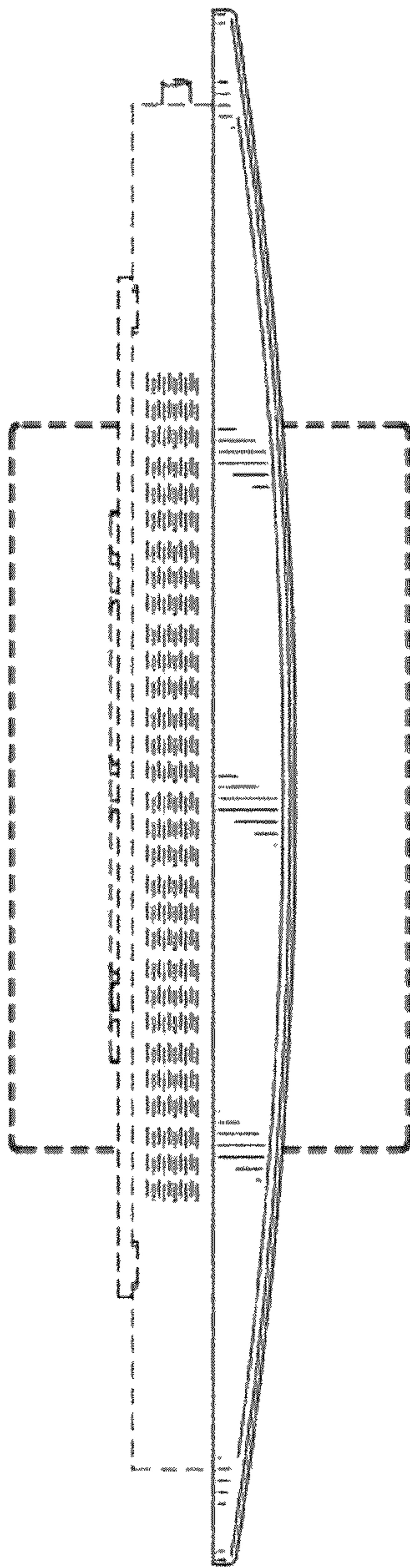


FIG. 4

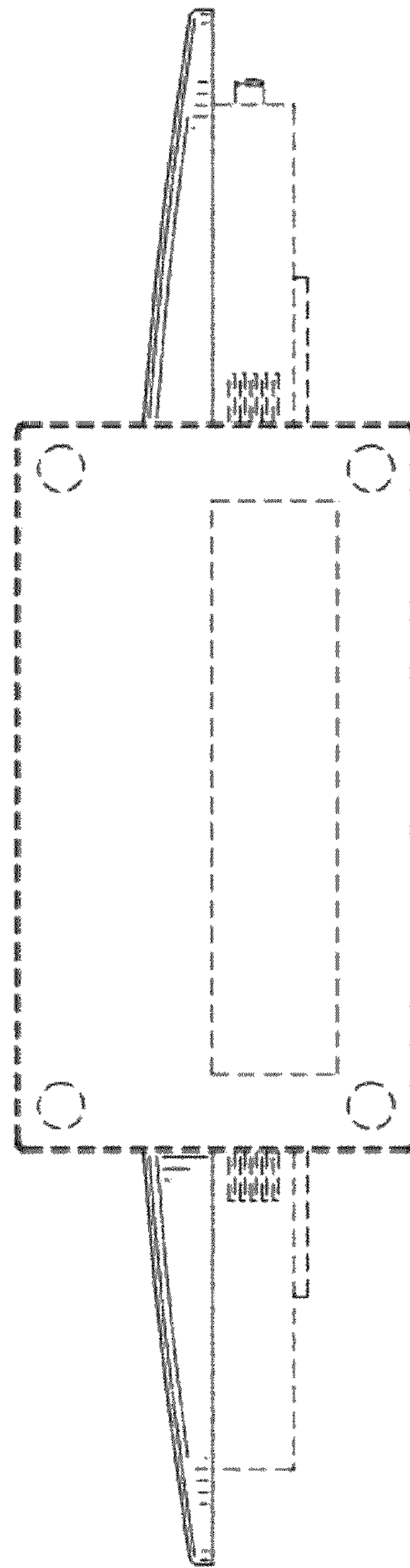


FIG. 5

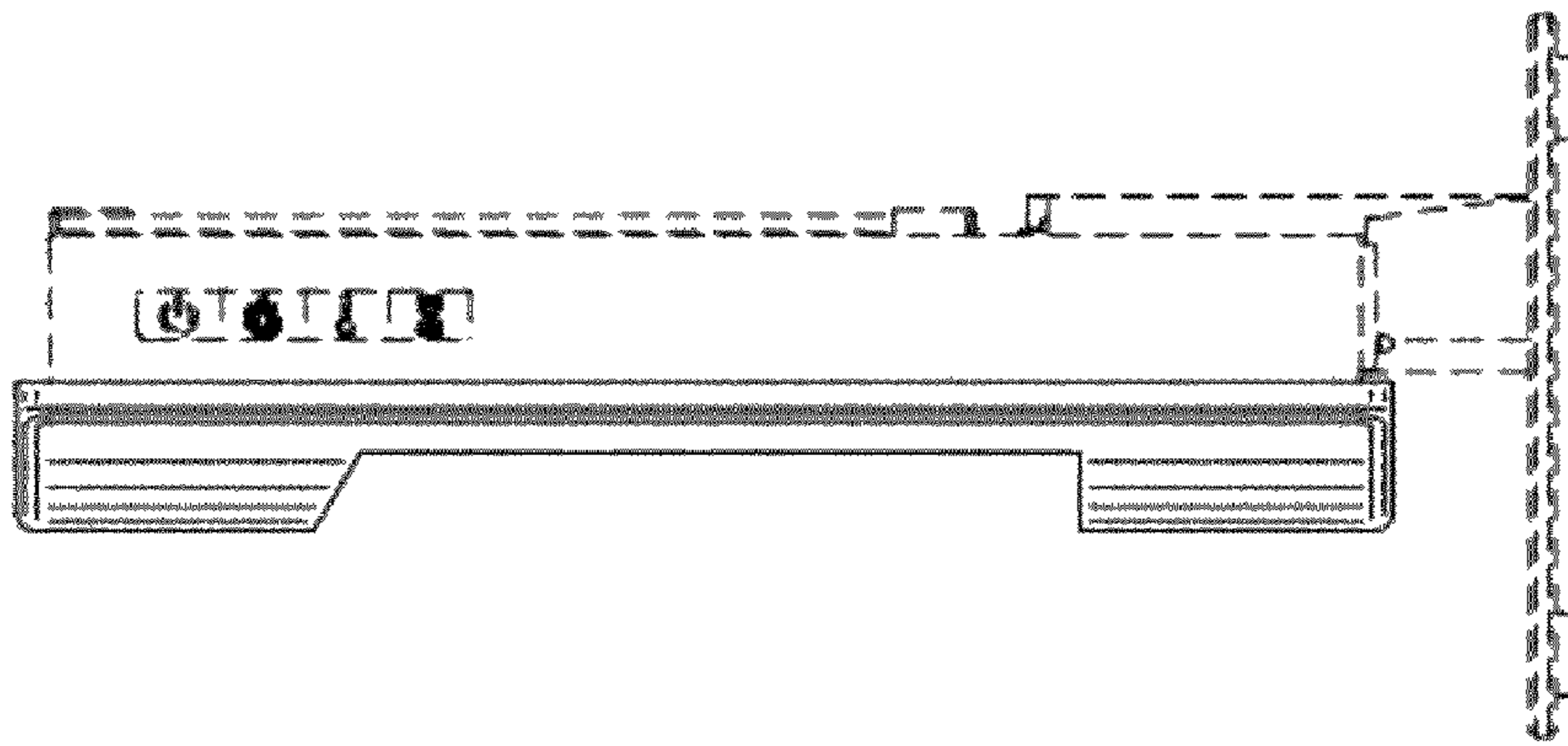


FIG. 7

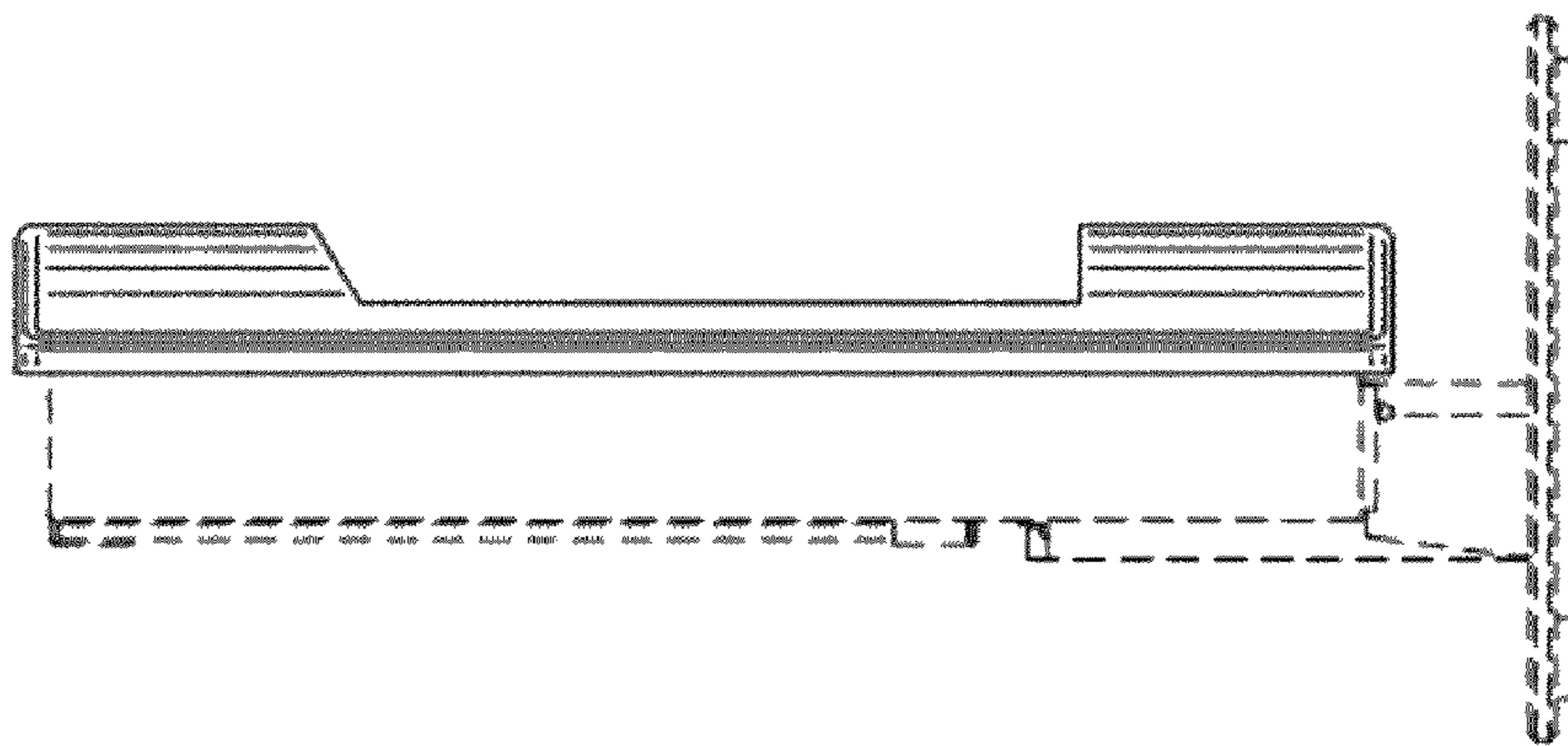


FIG. 6

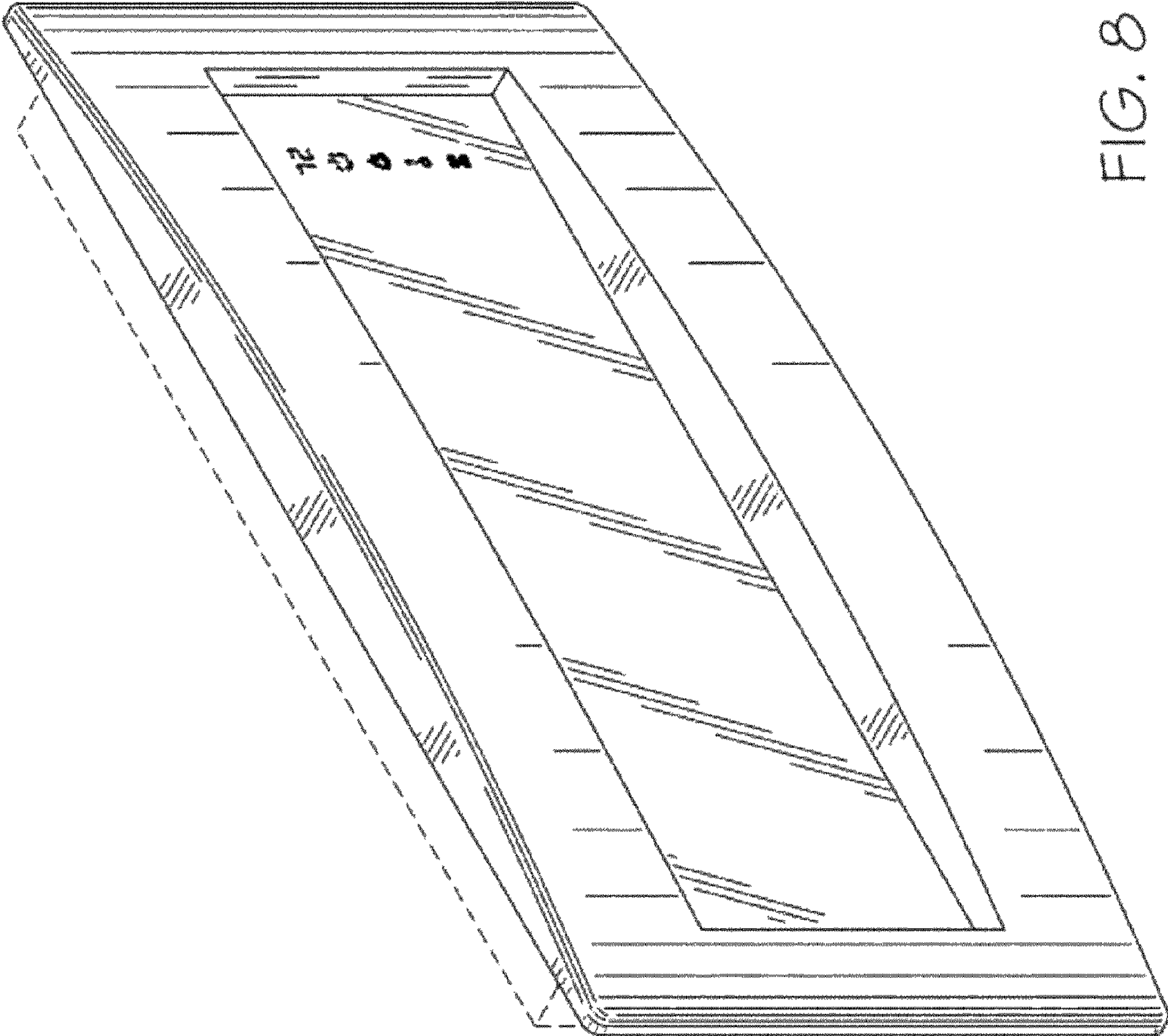


FIG. 8

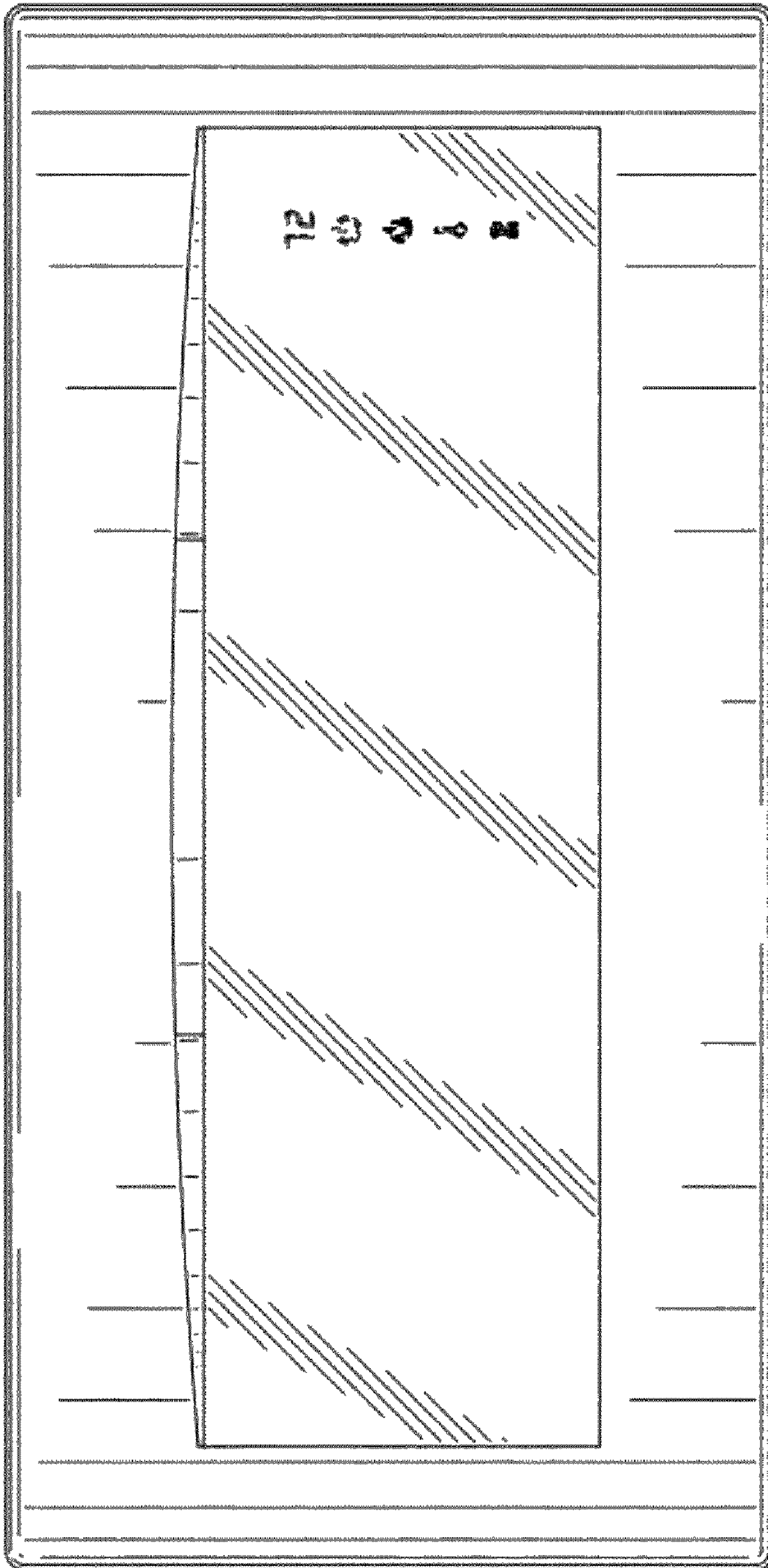


FIG. 9

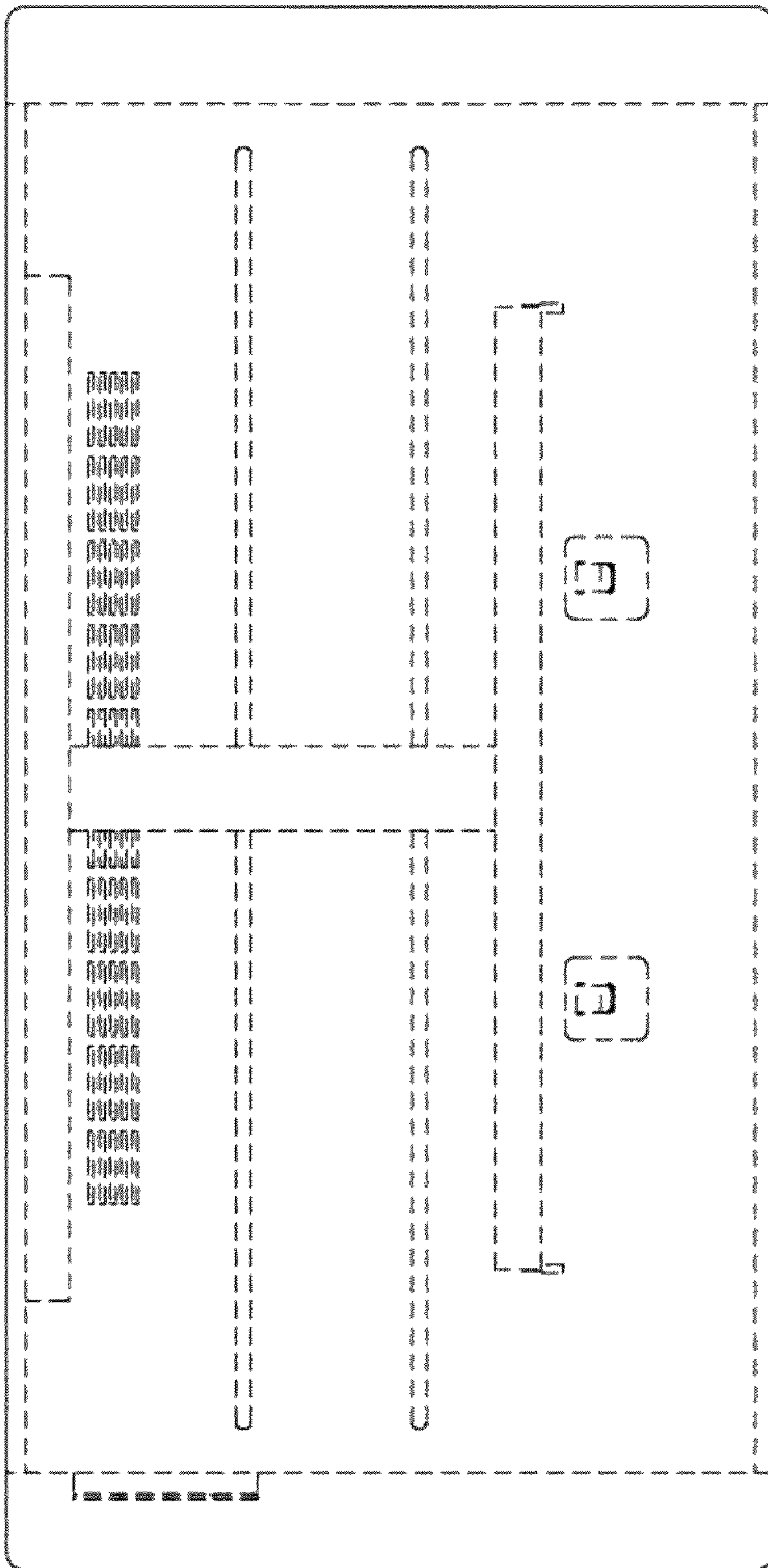


FIG. 10

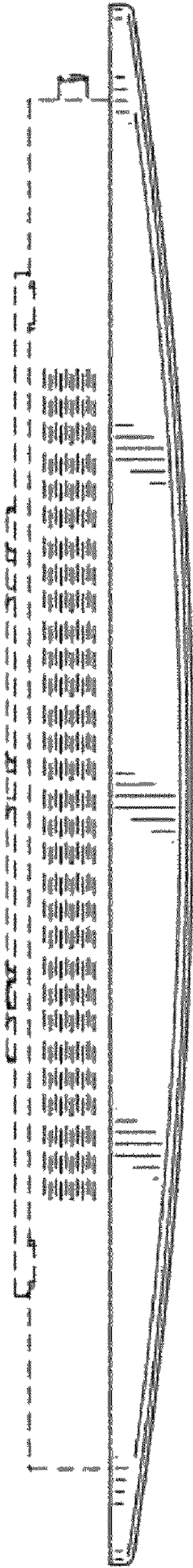


FIG. 11

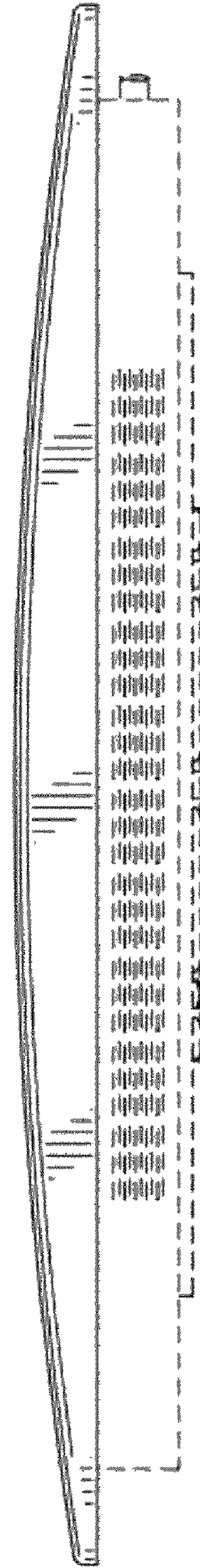


FIG. 12

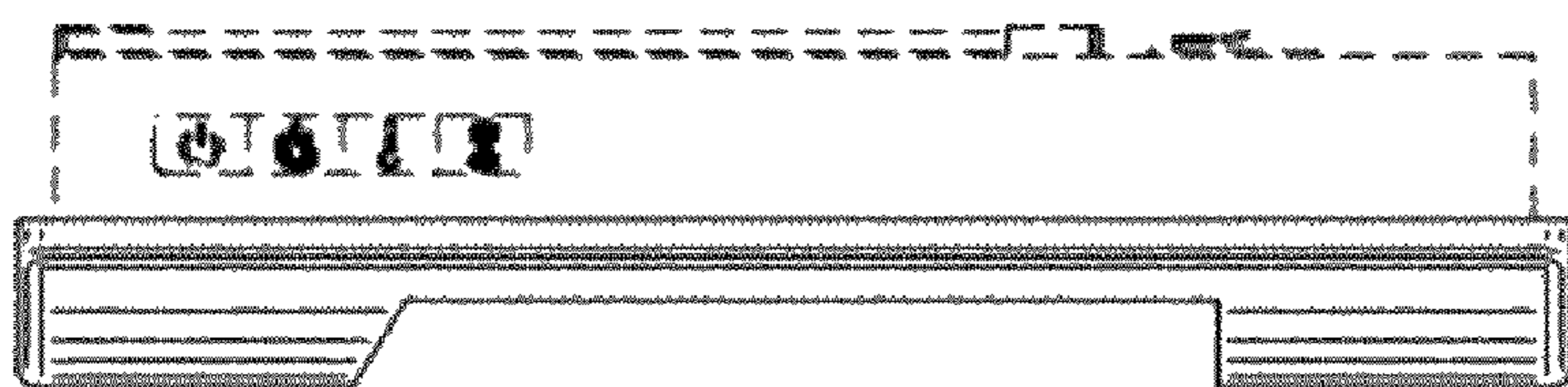


FIG. 14

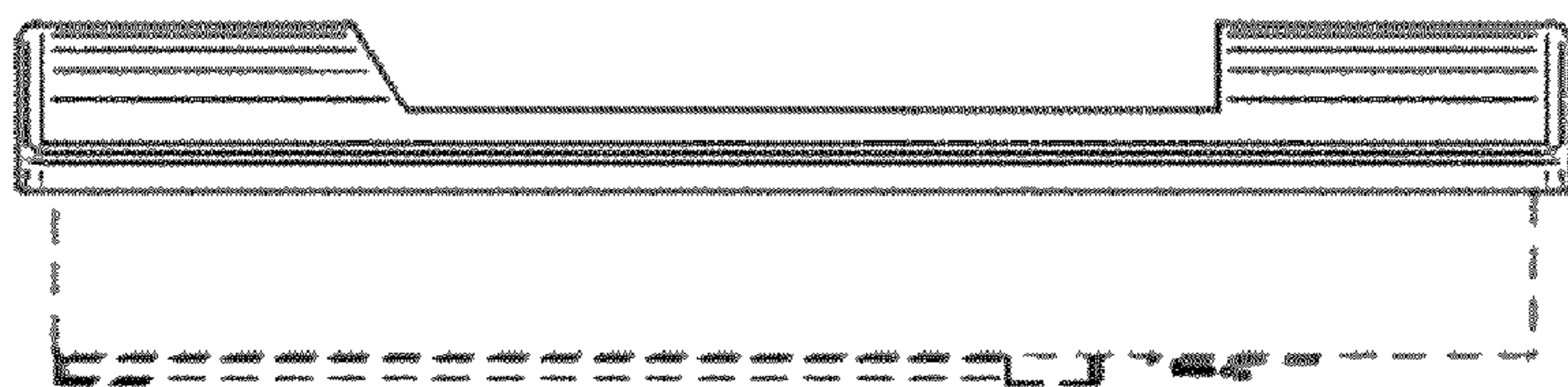


FIG. 13