



US00D658744S

(12) **United States Design Patent**
Starck

(10) **Patent No.:** **US D658,744 S**

(45) **Date of Patent:** **** May 1, 2012**

(54) **FAUCET**

(75) **Inventor:** **Philippe Starck, Paris (FR)**

(73) **Assignee:** **Hansgrohe AG, Schiltach (DE)**

(**) **Term:** **14 Years**

(21) **Appl. No.:** **29/392,057**

(22) **Filed:** **May 17, 2011**

(30) **Foreign Application Priority Data**

Nov. 29, 2010 (EM) 001247282-0001

(51) **LOC (9) Cl.** **23-01**

(52) **U.S. Cl.** **D23/238**

(58) **Field of Classification Search** D23/238,
D23/241-243, 255, 257, 250; 4/675-378;
137/801

See application file for complete search history.

(56) **References Cited**

U.S. PATENT DOCUMENTS

D468,398 S * 1/2003 Ziemann D23/238
D644,302 S * 8/2011 Flowers et al. D23/238
D645,120 S * 9/2011 Lammel et al. D23/238

* cited by examiner

Primary Examiner — Robert Delehanty

(74) *Attorney, Agent, or Firm* — Nirav D. Parikh; Lora J. Graentzdoerffer; Edgar A. Zarins

(57) **CLAIM**

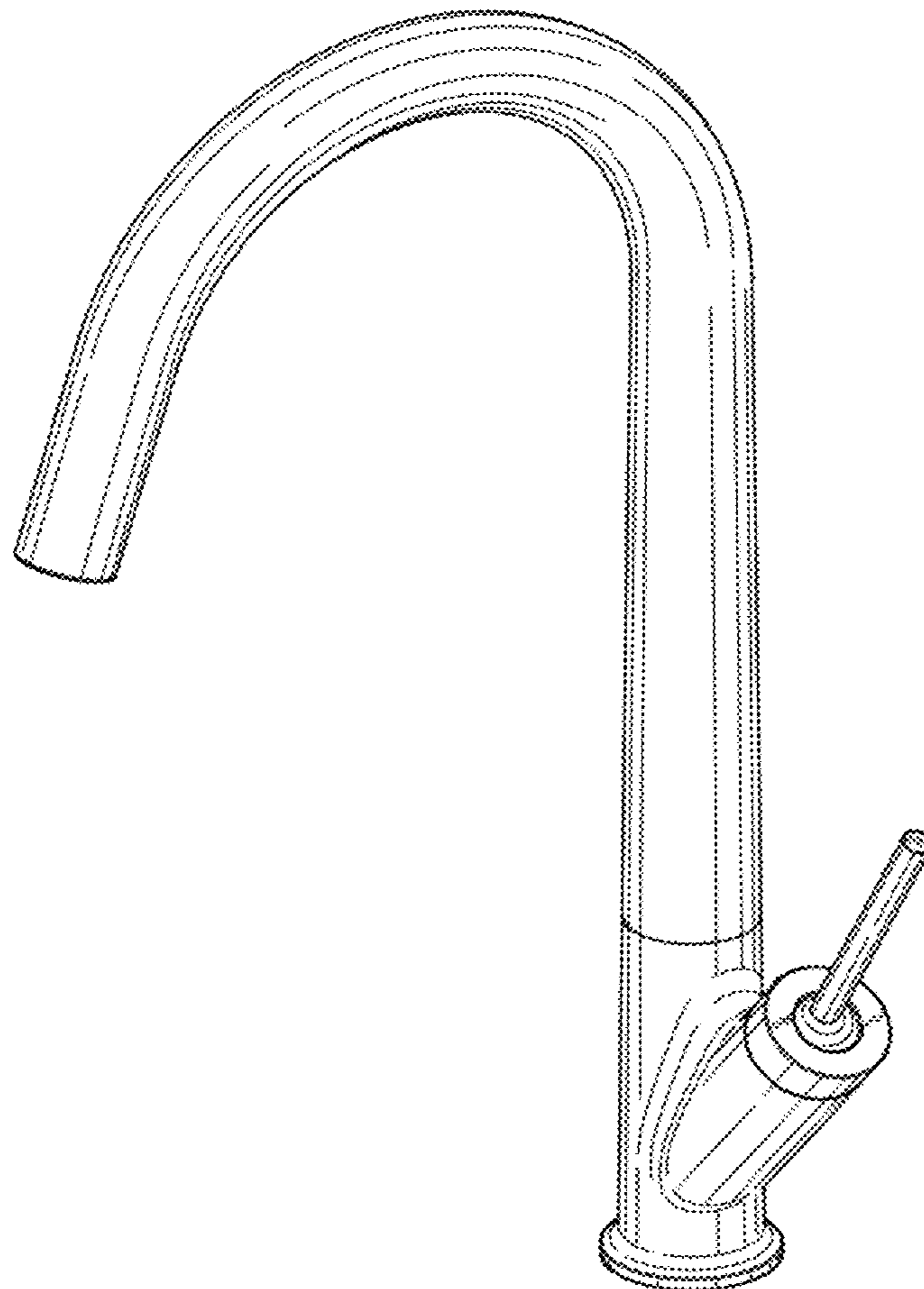
The ornamental design for a faucet, as shown and described.

DESCRIPTION

FIG. 1 is a perspective view of a faucet showing my design;
FIG. 2 is a front elevational view thereof;
FIG. 3 is a rear elevational view thereof;
FIG. 4 is a left side elevational view thereof;
FIG. 5 is a right side elevational view thereof;
FIG. 6 is a top plan view thereof; and,
FIG. 7 is a bottom plan view thereof.

The broken-line disclosure in the views represents portions of the article in which the claimed design is embodied, but which form no part of the claimed design.

1 Claim, 7 Drawing Sheets



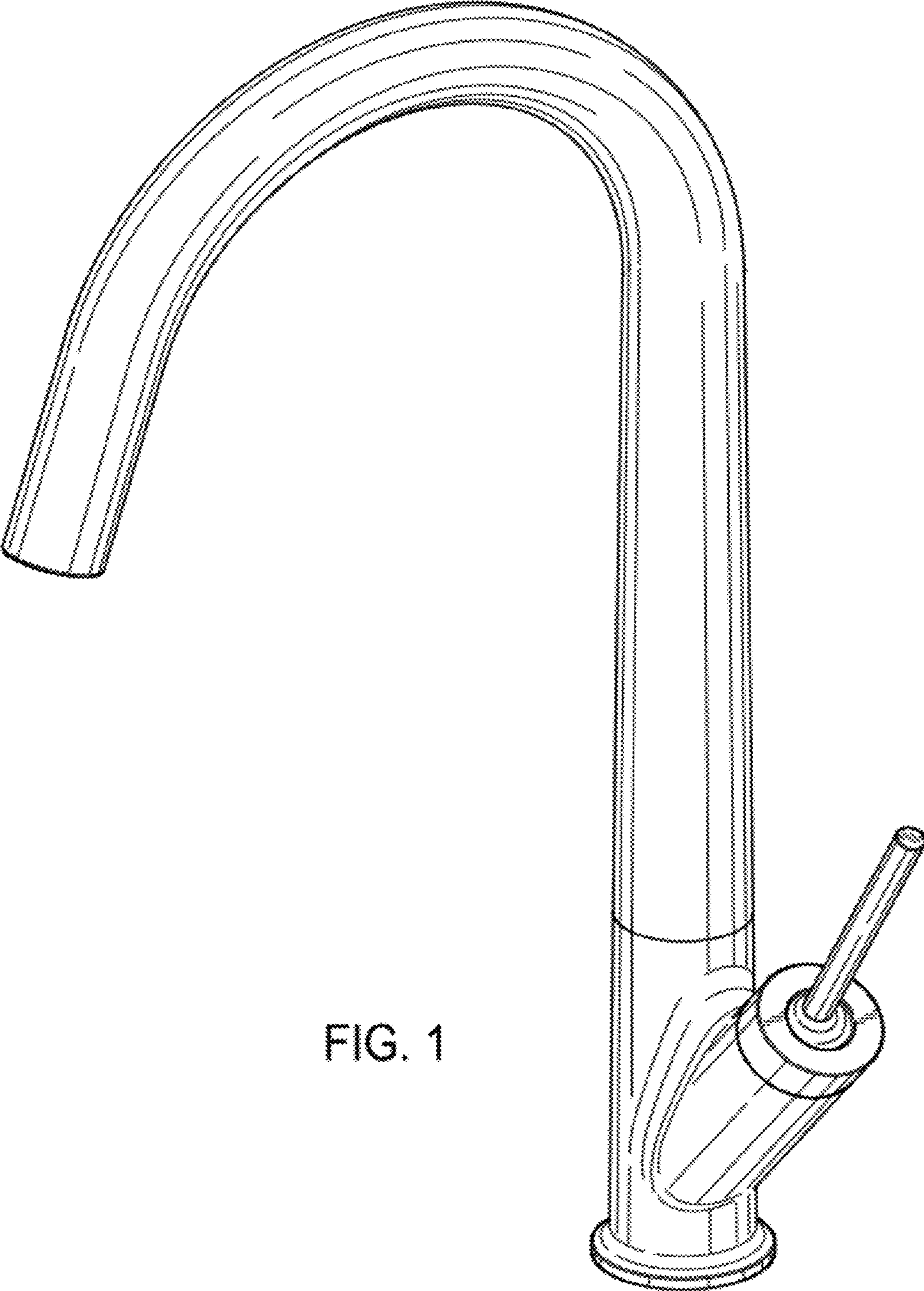
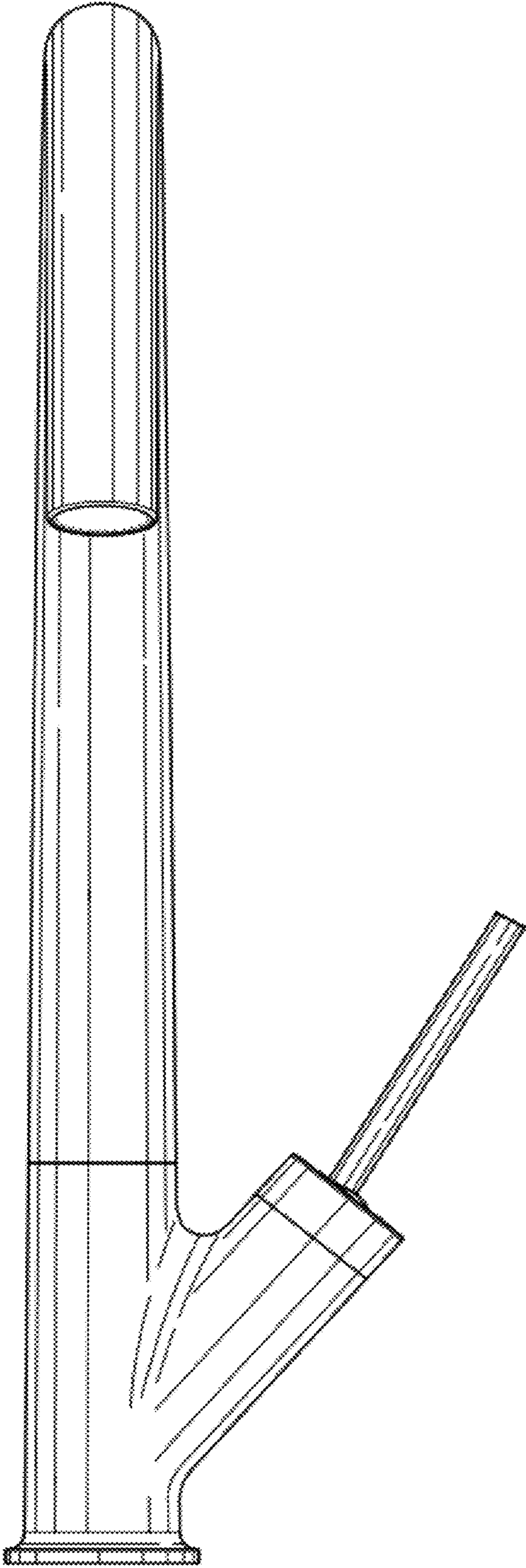


FIG. 1

FIG. 2



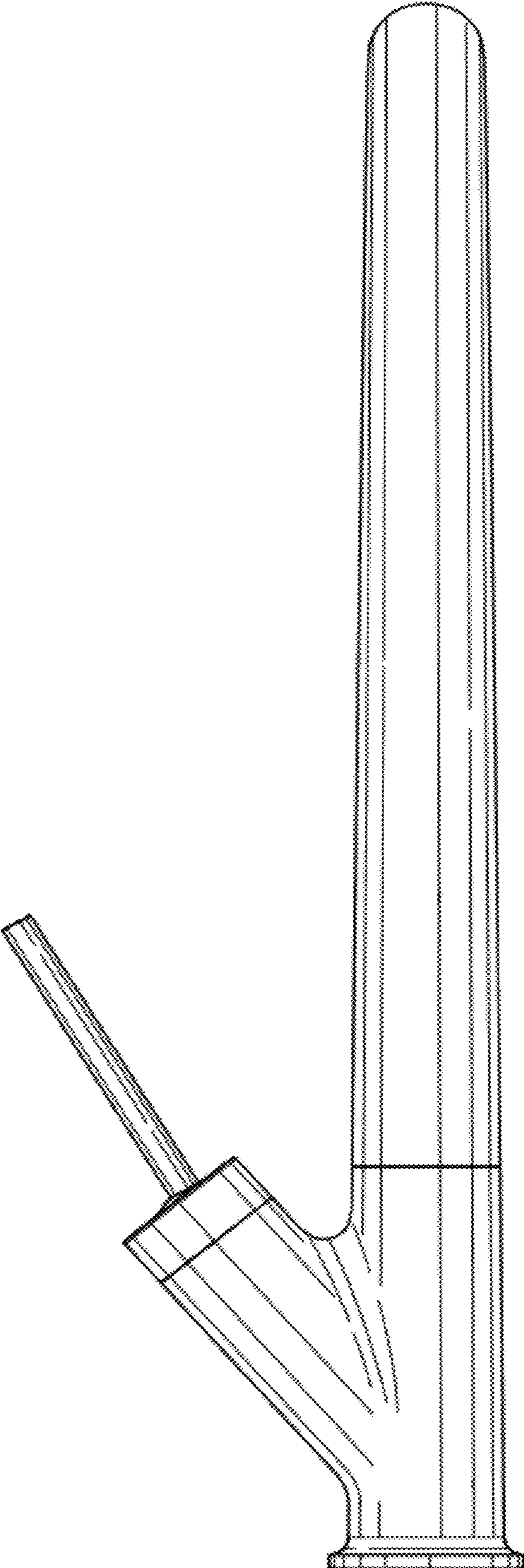


FIG. 3

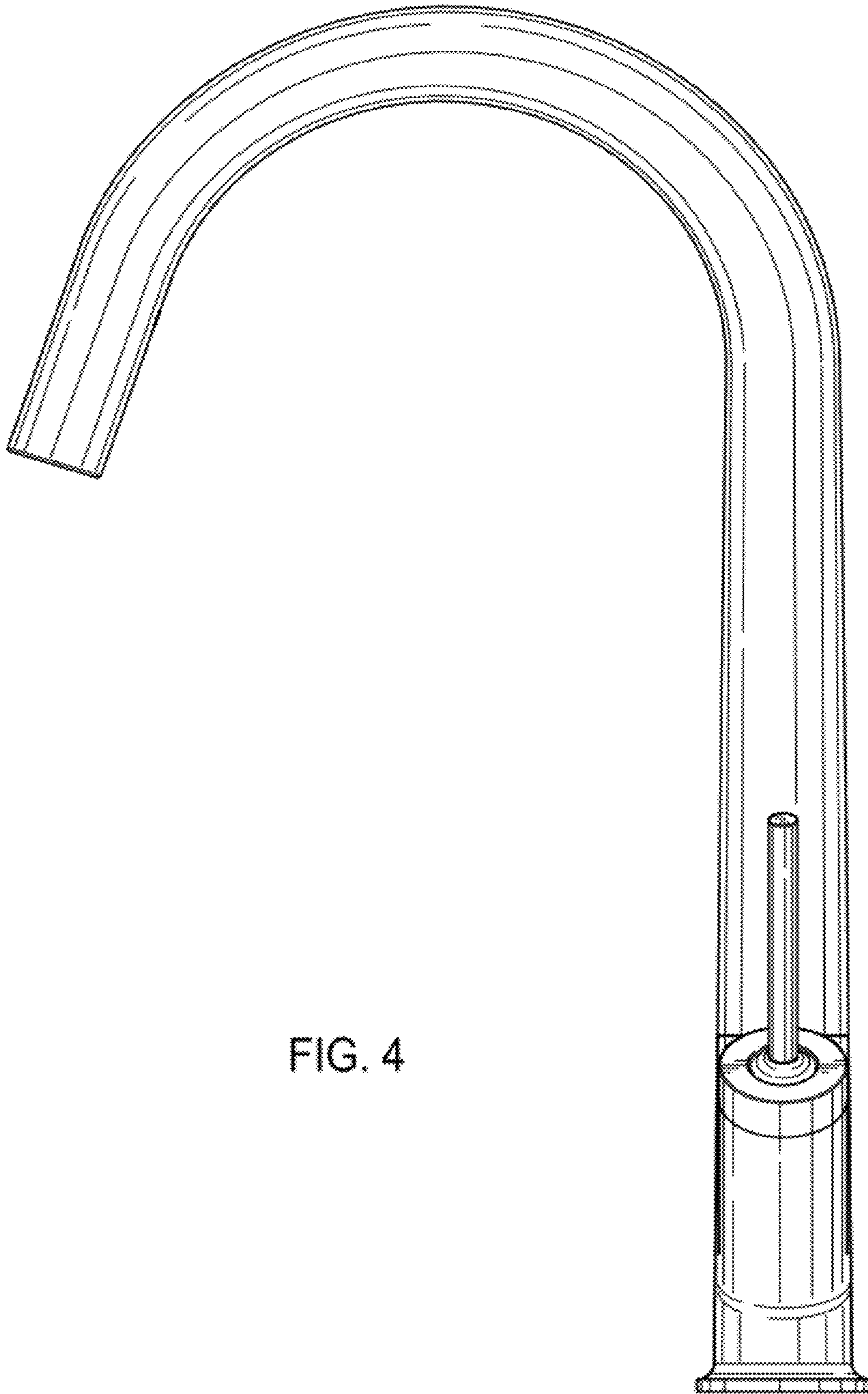


FIG. 4

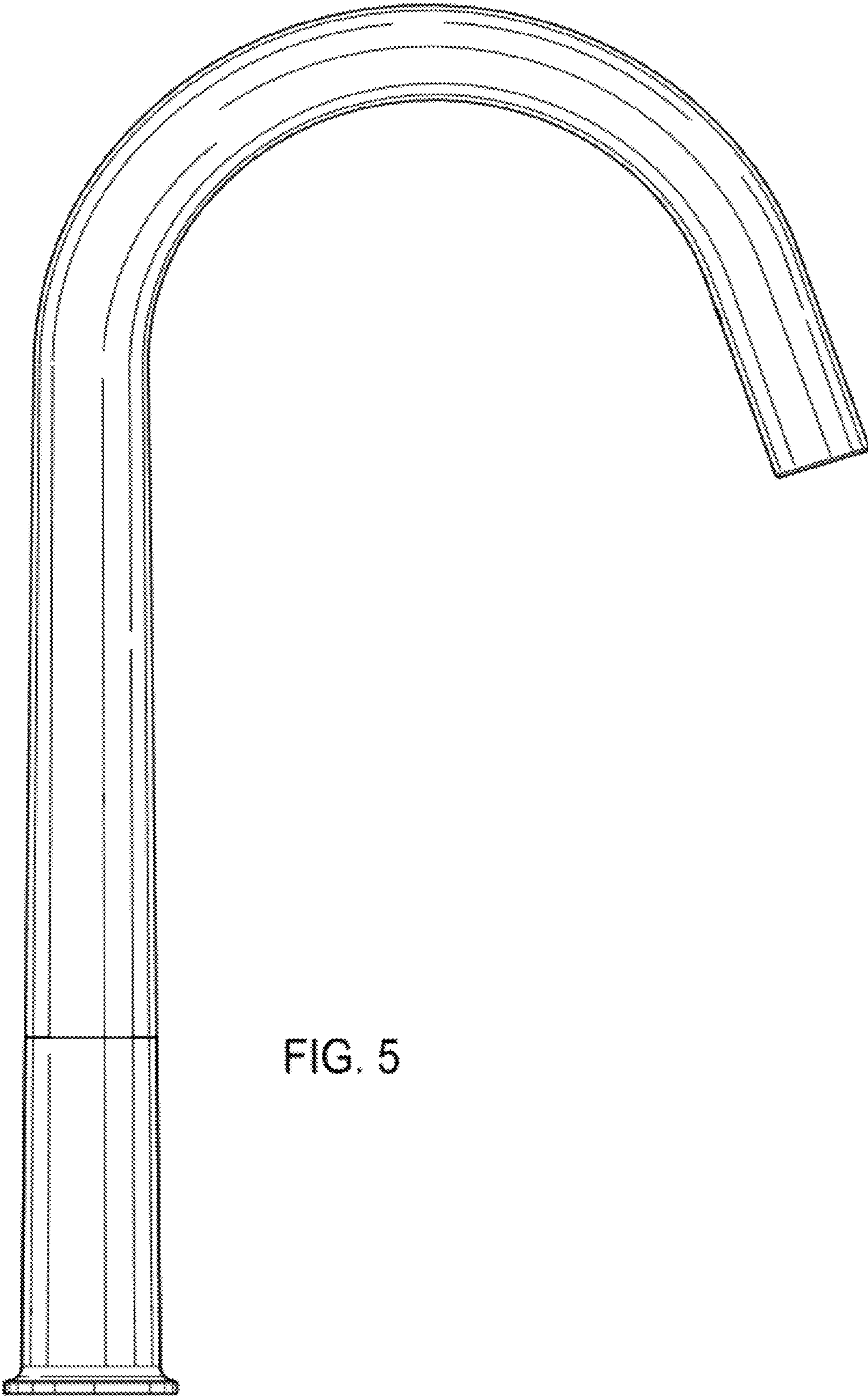


FIG. 5

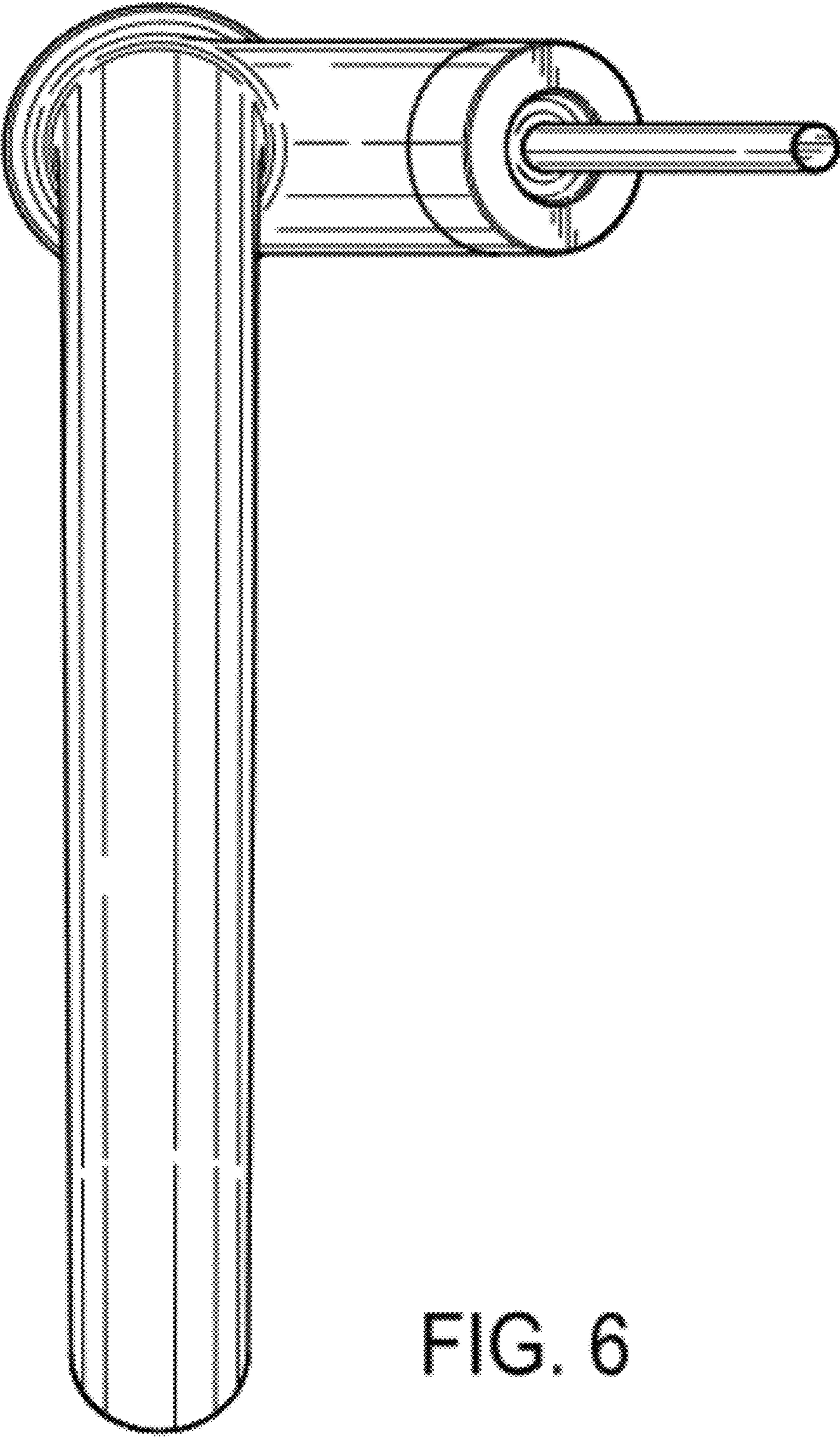


FIG. 6

FIG. 7

