



US00D658743S

(12) **United States Design Patent**
Anderson et al.

(10) **Patent No.:** **US D658,743 S**

(45) **Date of Patent:** **** May 1, 2012**

(54) **PUMP HANDLE**

(75) Inventors: **Jason W. Anderson**, Howick (NZ); **Nils G. Johannessen**, Westmere (NZ); **Carl A. Foege**, Watertown, WI (US); **Kay Lap Gilbert Chan**, McFarland, WI (US)

(73) Assignee: **Actuant Corporation**, Butler, WI (US)

(**) Term: **14 Years**

(21) Appl. No.: **29/387,840**

(22) Filed: **Mar. 18, 2011**

(51) **LOC (9) Cl.** **15-02**

(52) **U.S. Cl.** **D23/232; D8/315; D15/7**

(58) **Field of Classification Search** D23/231,
D23/232; D34/31; D15/7; D8/107, 300,
D8/303, 315, 308; 16/110.1, 114.1; 417/234,
417/401, 535, 544; 222/389; 254/8 R
See application file for complete search history.

(56) **References Cited**

U.S. PATENT DOCUMENTS

4,581,991	A *	4/1986	Mooney	99/646 R
5,399,072	A *	3/1995	Westphal	417/234
5,732,442	A *	3/1998	Haggard	16/422
D426,134	S *	6/2000	Pytlewski	D8/107
6,094,773	A *	8/2000	Krentz et al.	15/321
6,836,932	B2 *	1/2005	Yamamoto et al.	16/110.1
6,877,200	B2 *	4/2005	Villarreal	29/402.08
D517,389	S *	3/2006	Collins et al.	D8/90
D584,936	S *	1/2009	Ricereto	D8/315
7,585,009	B2 *	9/2009	Longwell et al.	296/1.02

OTHER PUBLICATIONS

Enerpac—Actuant Corp.; Hydraulic Power for all Industrial Applications; catalog; copyright 2003; pp. 56-67.
Enerpac—Actuant Corp.; photograph of hand pump; undated.
BVA Hydraulics; photograph of hand pump; undated.
BVA Hydraulics; image of hand pump; undated.
SPX Power Team; photograph of hand pump; undated.
SPX Power Team; image of hand pump; undated.
Simplex; image of hand pumps; undated.

* cited by examiner

Primary Examiner — Robin V Webster

(74) *Attorney, Agent, or Firm* — Quarles & Brady LLP

(57) **CLAIM**

The ornamental design for a pump handle, as shown and described.

DESCRIPTION

FIG. 1 is a right, top, front perspective view of a pump handle according to our new design, shown with handle environment shown broken away;

FIG. 2 is a front elevational view thereof;

FIG. 3 is a rear elevational view thereof;

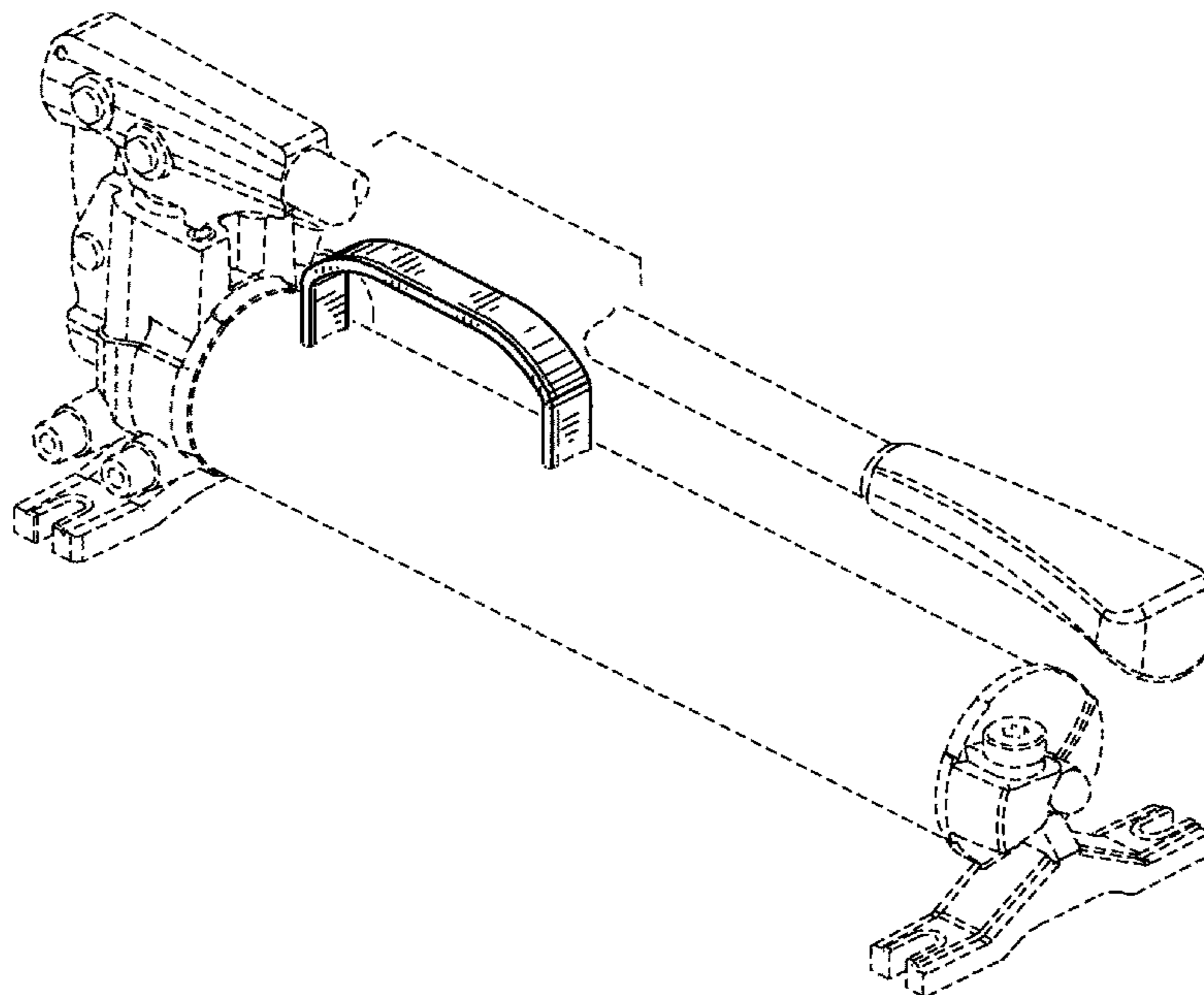
FIG. 4 is a right end elevational view thereof;

FIG. 5 is a top plan view thereof with handle environment shown broken away; and,

FIG. 6 is a bottom plan view thereof with cylinder environment shown broken away.

The broken line representations in the figures are for the purpose of illustrating unclaimed environment. The broken lines are thus not part of the claim.

1 Claim, 4 Drawing Sheets



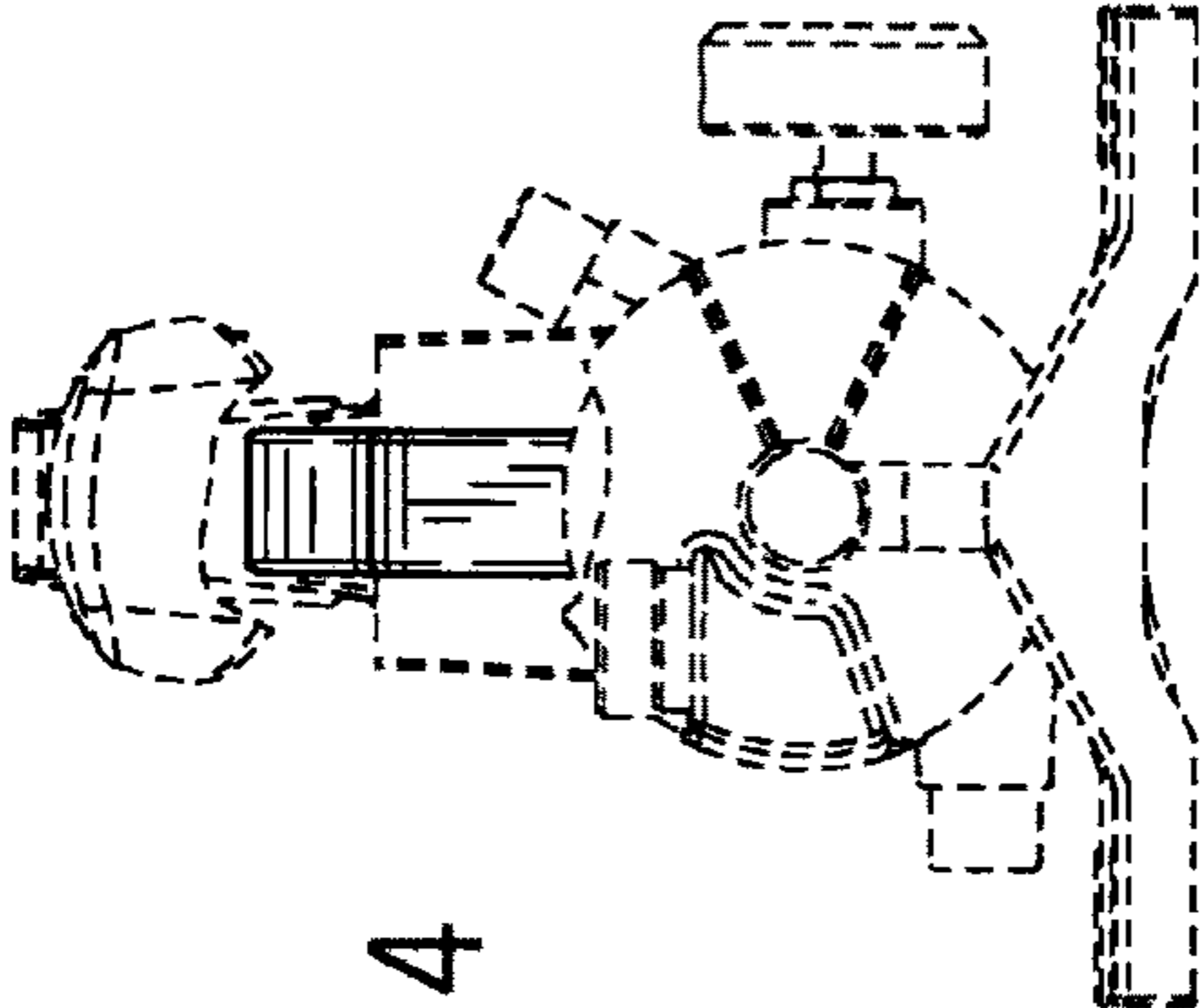


FIG. 4

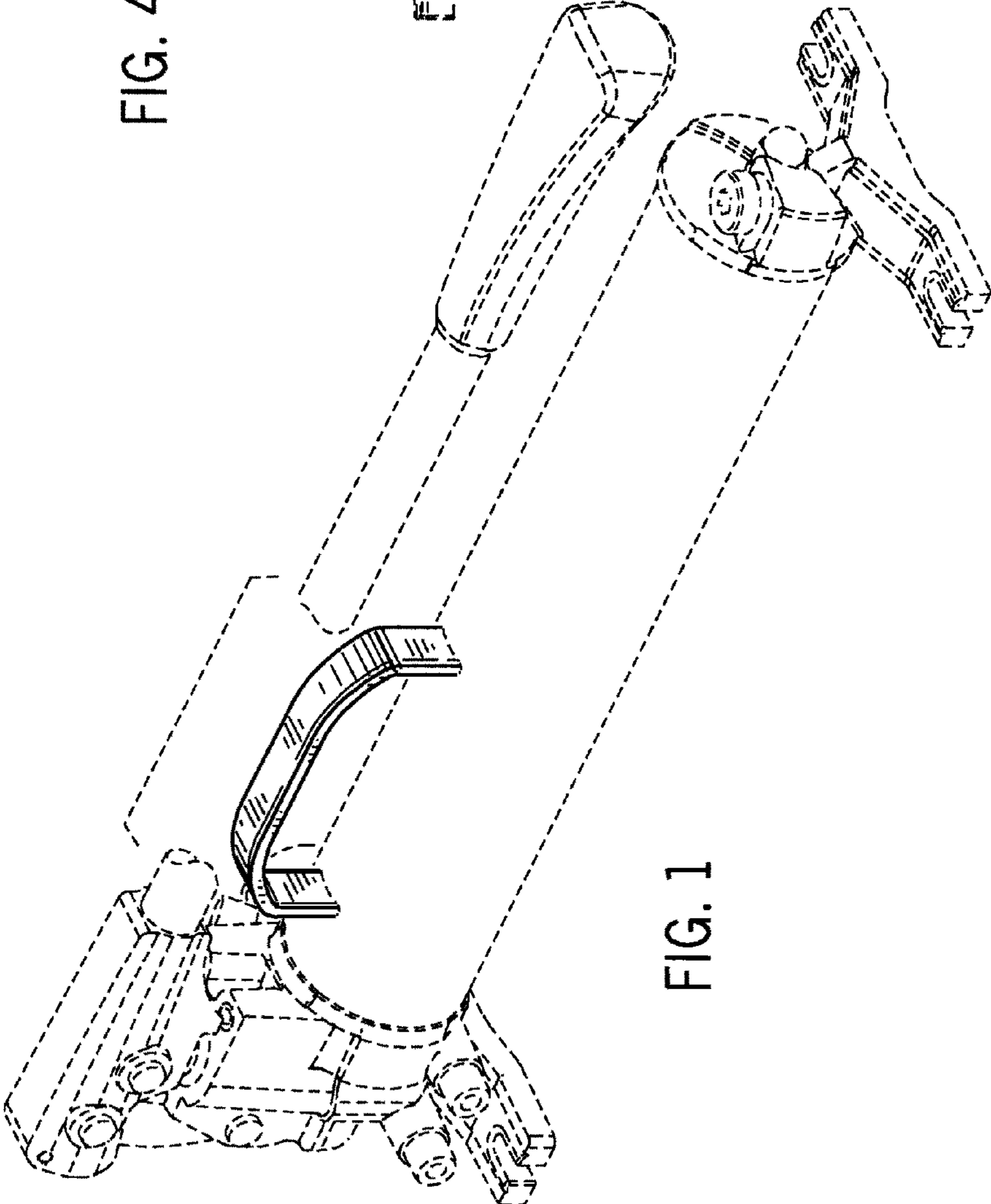


FIG. 1

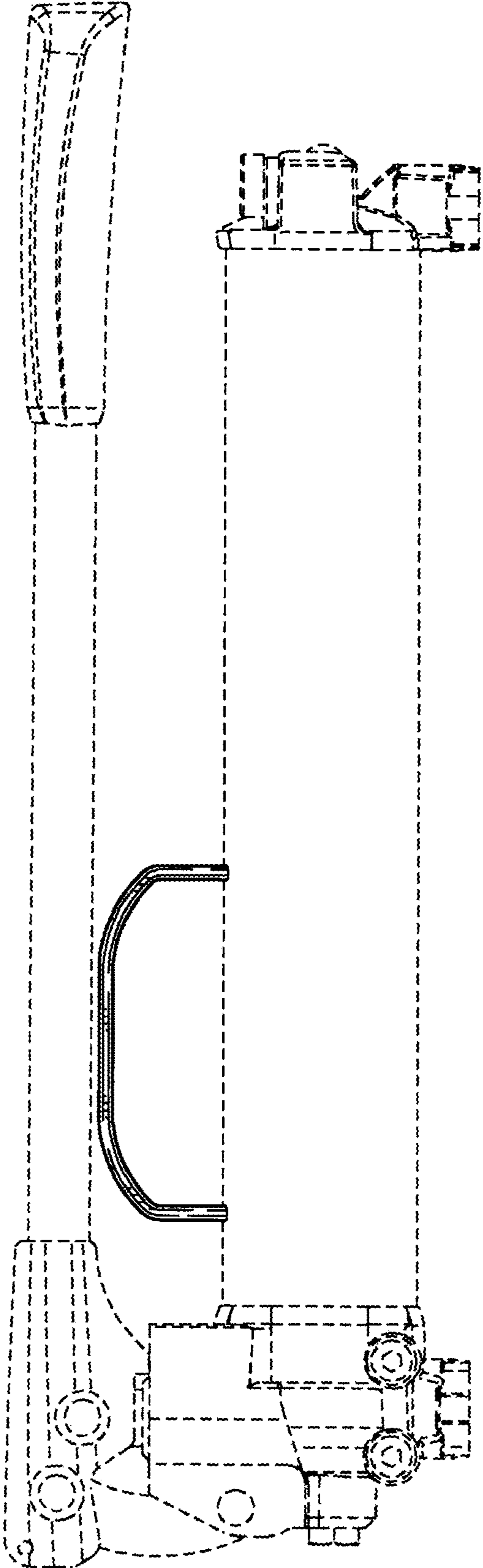


FIG. 2

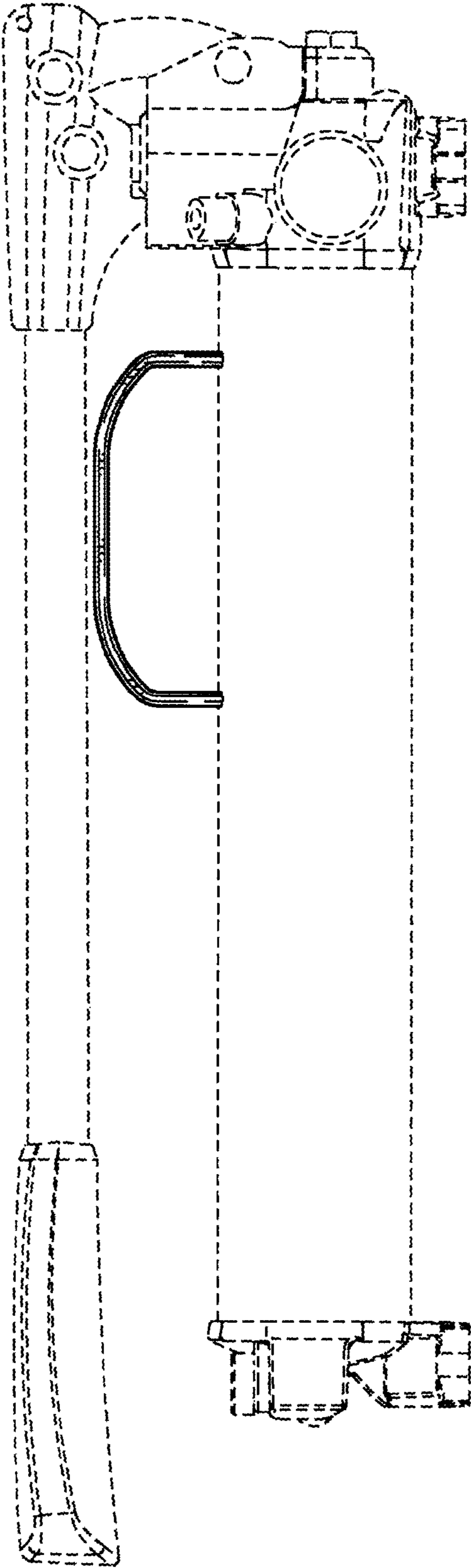


FIG. 3

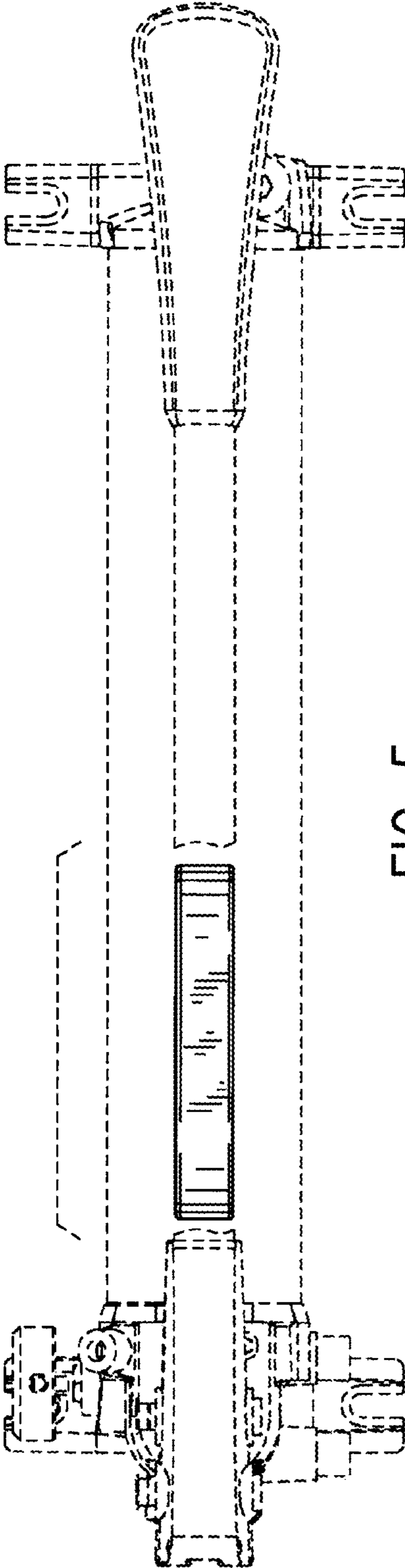


FIG. 5

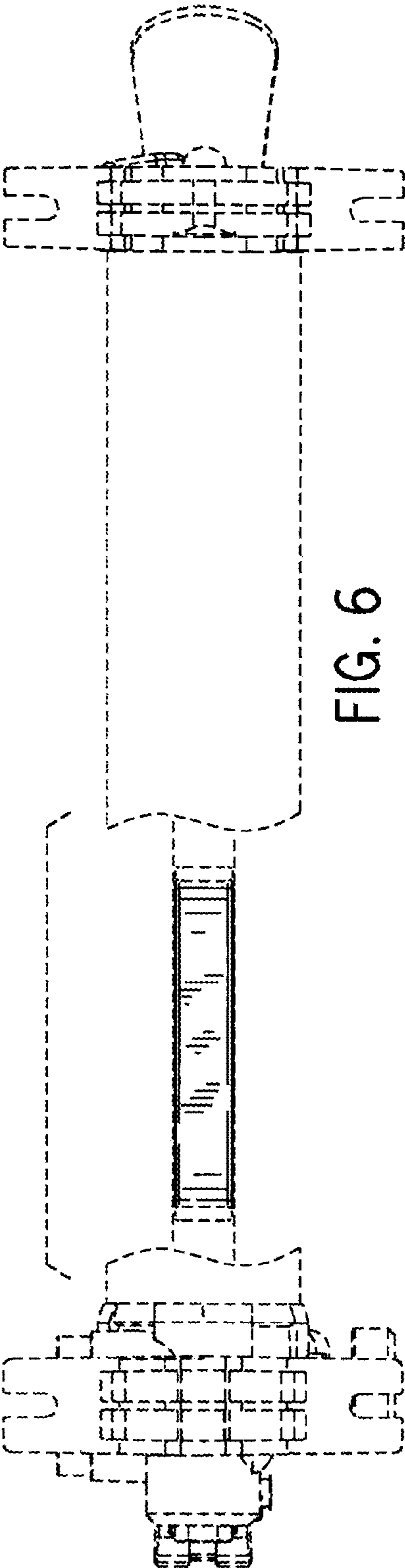


FIG. 6