



US00D658737S

(12) **United States Design Patent**
Giles et al.

(10) **Patent No.:** **US D658,737 S**

(45) **Date of Patent:** **** May 1, 2012**

(54) **ARROW VIBRATION DAMPENING DEVICE**

(75) Inventors: **Kenny R. Giles**, West Valley City, UT
(US); **Teddy D. Palomaki**, Park City, UT
(US)

(73) Assignee: **Easton Technical Products, Inc**, Salt
Lake City, UT (US)

(**) Term: **14 Years**

(21) Appl. No.: **29/393,320**

(22) Filed: **Jun. 2, 2011**

(51) **LOC (9) Cl.** **22-01**

(52) **U.S. Cl.** **D22/107**

(58) **Field of Classification Search** D22/107,
D22/115-116, 199; 124/16-29, 86-92; D8/300,
D8/31, 401, 402, 499, DIG. 1, DIG. 27
See application file for complete search history.

(56) **References Cited**

U.S. PATENT DOCUMENTS

3,850,054	A *	11/1974	Weissman	76/108.1
4,815,902	A *	3/1989	Durfee, Jr.	408/225
5,339,793	A *	8/1994	Findley	124/89
5,522,375	A *	6/1996	Simo et al.	124/86
5,975,070	A *	11/1999	Sands	124/89
6,134,793	A *	10/2000	Sauers	33/265
6,817,352	B1 *	11/2004	Saunders	124/89
7,900,391	B1 *	3/2011	Mihelish	42/116
7,958,881	B2 *	6/2011	Silverson	124/86

2001/0025636	A1 *	10/2001	Harwath et al.	124/89
2007/0259743	A1 *	11/2007	Sims et al.	473/578
2008/0085793	A1 *	4/2008	Palomaki et al.	473/586
2010/0192931	A1 *	8/2010	Brewster	124/89

* cited by examiner

Primary Examiner — Michael Pratt

(74) *Attorney, Agent, or Firm* — Holland & Hart

(57) **CLAIM**

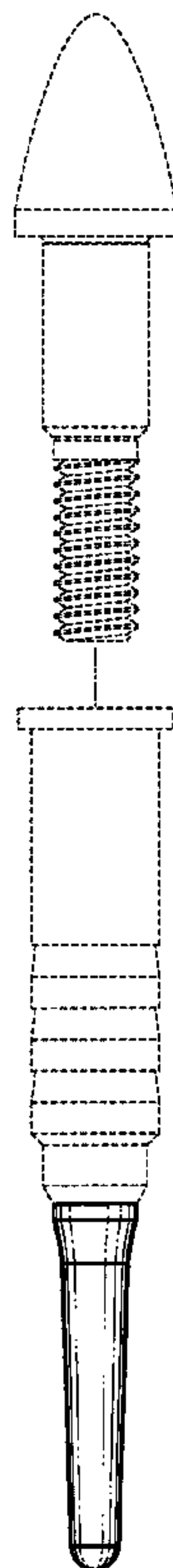
The ornamental design for an “arrow vibration dampening device,” as shown and described.

DESCRIPTION

FIG. 1 is a top view of an “arrow vibration dampening device” shown in an assembly view along with an insert and an arrow point (shown in phantom) according to the present invention; FIG. 2 is a front perspective view thereof; FIG. 3 is a rear perspective view thereof; FIG. 4 is a top/bottom/side elevation view thereof; FIG. 5 is a front elevation view thereof; FIG. 6 is a rear elevation view thereof; and, FIG. 7 is a section view, taken along the line 7-7 of FIG. 4, of the “arrow vibration dampening device” shown assembled with an arrow insert and an arrow (both shown in phantom) thereof.

The phantom/broken lines showing in FIGS. 1 and 7 is included for the purpose of illustrating environment and forms no part of the claimed design.

1 Claim, 3 Drawing Sheets



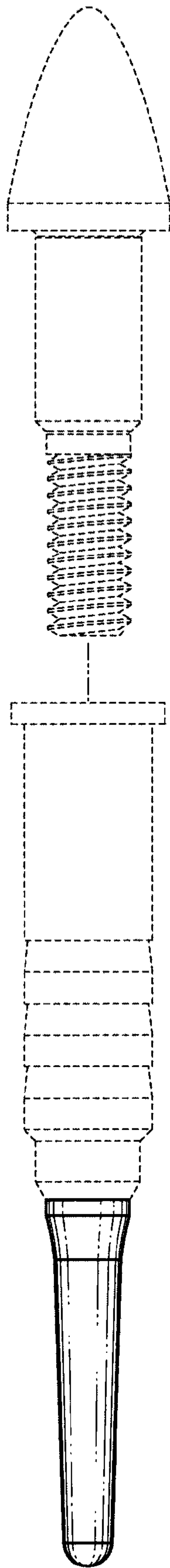


FIG. 1

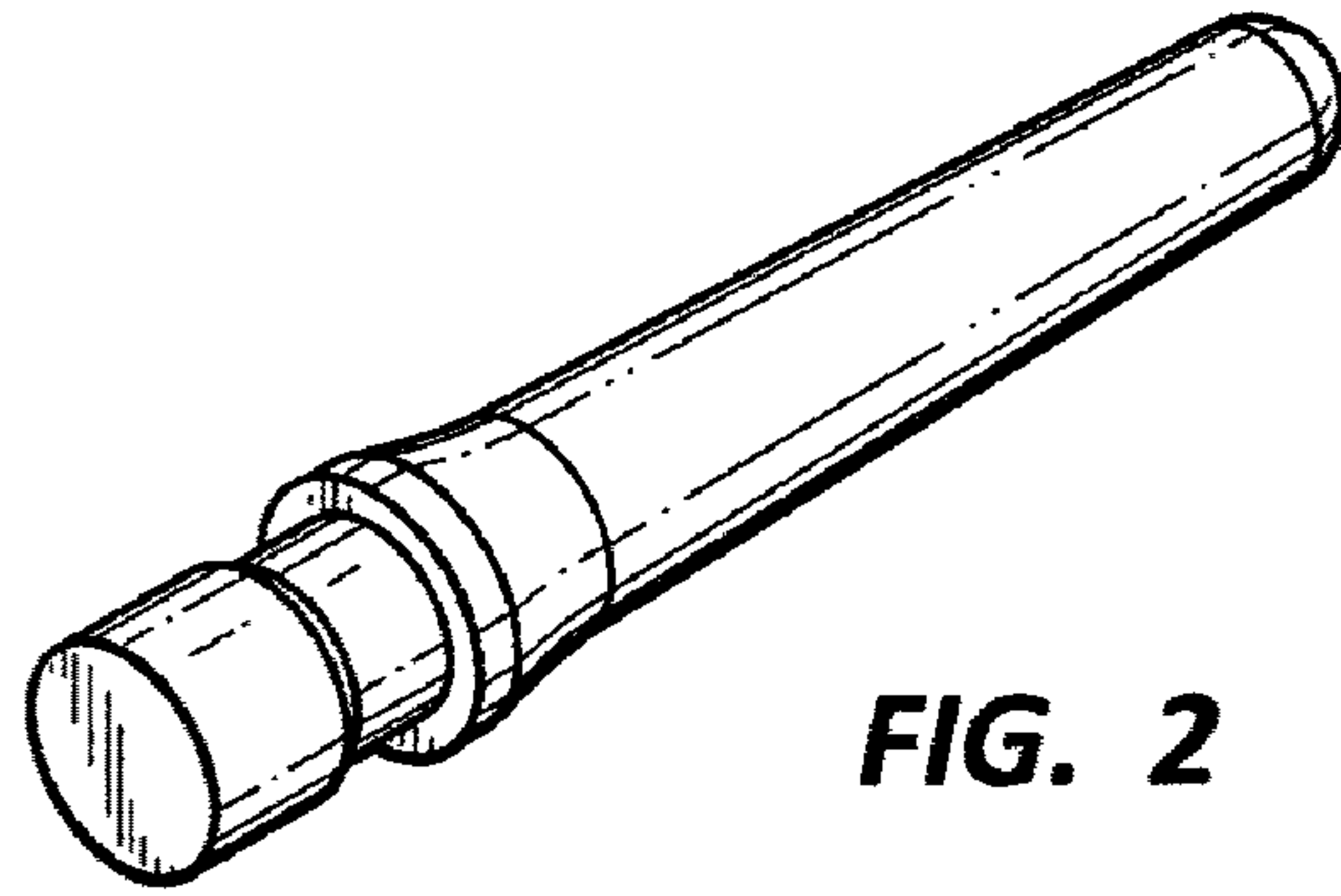


FIG. 2

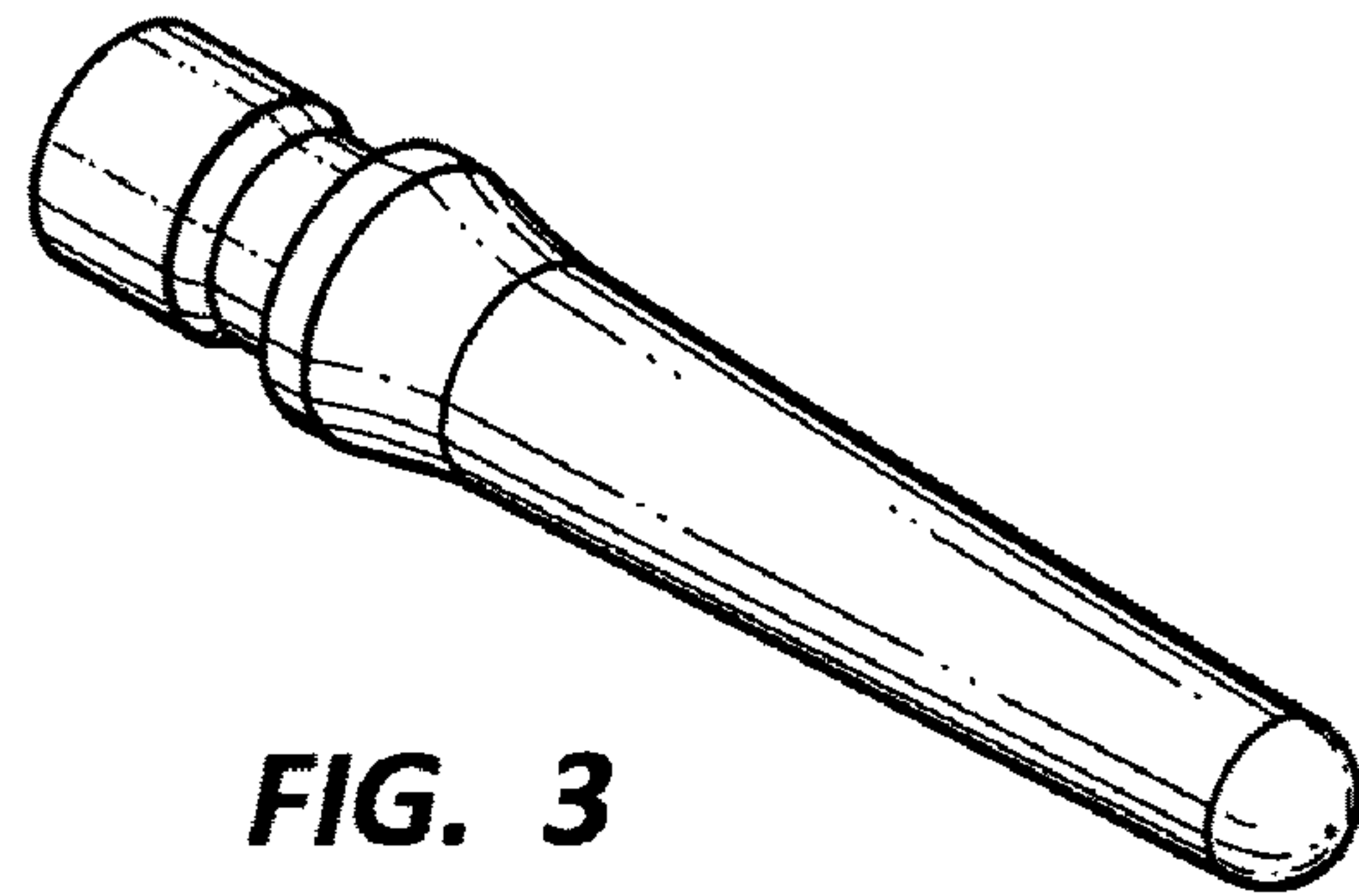


FIG. 3

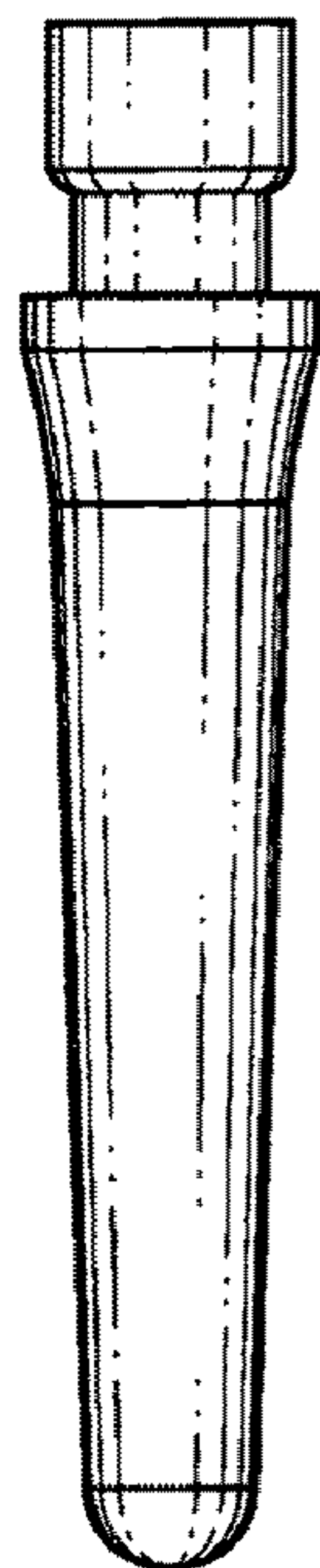


FIG. 4

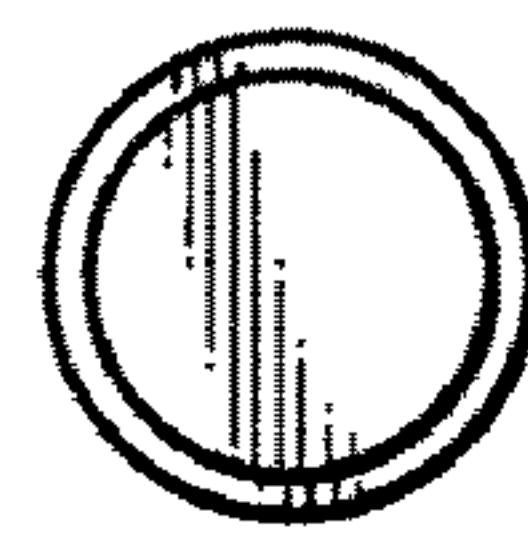


FIG. 5

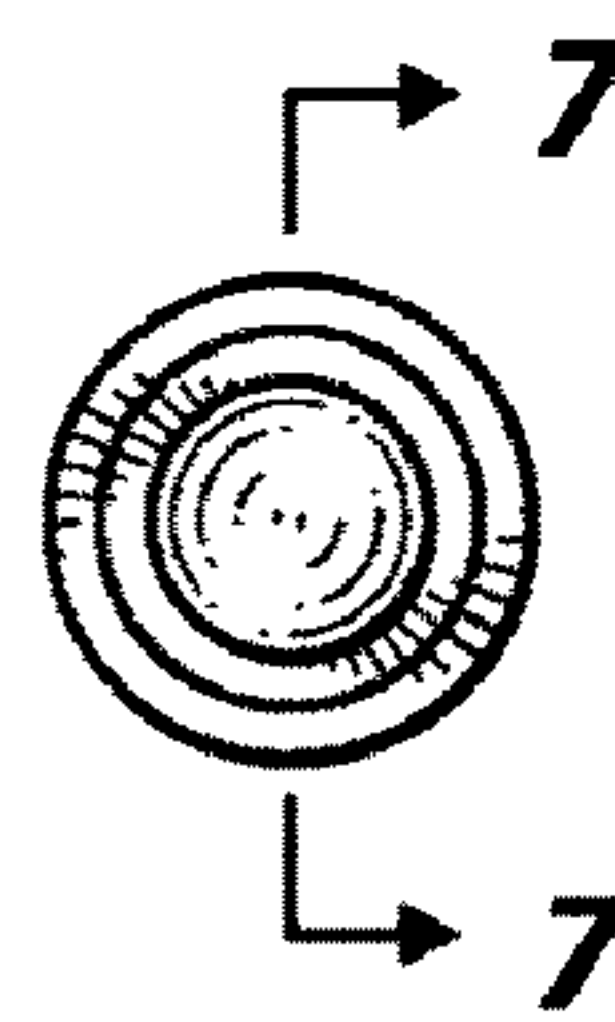


FIG. 6

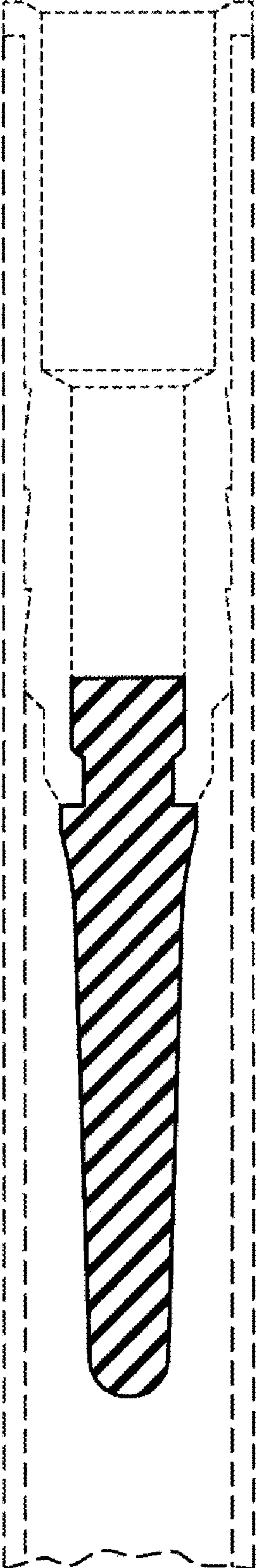


FIG. 7