



US00D658727S

(12) **United States Design Patent**
Greiner

(10) **Patent No.:** **US D658,727 S**
(45) **Date of Patent:** **** May 1, 2012**

(54) **TOY PROJECTILE LAUNCHER APPARATUS**

(75) Inventor: **Joshua H. Greiner**, Columbus, OH (US)

(73) Assignee: **Hasbro, Inc.**, Pawtucket, RI (US)

(**) Term: **14 Years**

(21) Appl. No.: **29/402,771**

(22) Filed: **Sep. 27, 2011**

(51) **LOC (9) Cl.** **21-01**

(52) **U.S. Cl.** **D21/570; D21/573**

(58) **Field of Classification Search** D21/333,
D21/401, 461, 567, 568, 570-575; D14/418;
D22/100, 101, 104, 105, 108-110; 124/16,
124/26, 27, 28, 29, 45, 54, 56, 59, 65, 66,
124/73-77, 78; 222/78, 79; 42/54, 57, 58;
446/23, 182, 192, 401, 403, 405-407, 473,
446/475

See application file for complete search history.

D385,586 S *	10/1997	Hanatani et al.	D14/418
5,711,285 A	1/1998	Stewart et al.		
D390,284 S *	2/1998	Mak	D21/454
5,782,228 A *	7/1998	Wu	124/6
5,996,564 A	12/1999	Kotowski		
6,119,671 A *	9/2000	Smith et al.	124/59
D434,458 S *	11/2000	Hornsby et al.	D21/572
D436,356 S *	1/2001	Lee	D14/418
D439,286 S *	3/2001	Hornsby et al.	D21/572
6,224,457 B1	5/2001	Wu		
6,598,329 B1	7/2003	Alexander		
6,733,356 B2	5/2004	Lee		
7,287,526 B1	10/2007	Bligh et al.		
7,418,797 B1	9/2008	Crose		
7,437,847 B1	10/2008	Mabry		
7,552,557 B1	6/2009	Mabry		
7,673,624 B2	3/2010	Rosella, Jr.		
2005/0016514 A1 *	1/2005	Nadel	124/56
2006/0242880 A1	11/2006	Griffin		
2010/0282227 A1 *	11/2010	Vanek	124/27

* cited by examiner

Primary Examiner — Cynthia M Chin

(74) *Attorney, Agent, or Firm* — Perry Hoffman

(56) **References Cited**

U.S. PATENT DOCUMENTS

961,511 A	6/1910	Marble		
1,374,757 A	4/1921	Napier		
1,441,975 A	1/1923	Edelin		
2,109,589 A	3/1938	Horwitt et al.		
3,968,783 A	7/1976	Pfotenhauer		
4,170,215 A	10/1979	Kettlestrings		
4,248,202 A	2/1981	Jaworski et al.		
4,659,320 A	4/1987	Rich et al.		
5,267,549 A	12/1993	Webber		
D344,108 S *	2/1994	Shirai et al.	D21/573
5,292,134 A	3/1994	Schlundt et al.		
D352,976 S *	11/1994	Hsieh	D21/573
5,377,656 A	1/1995	Lewinski et al.		
D360,439 S *	7/1995	Lewinski	D21/574
5,433,646 A	7/1995	Tarng		
5,471,967 A	12/1995	Matsuzaki et al.		
5,529,050 A	6/1996	D'Andrade		
5,605,140 A	2/1997	Griffin		
5,611,322 A	3/1997	Matsuzaki et al.		

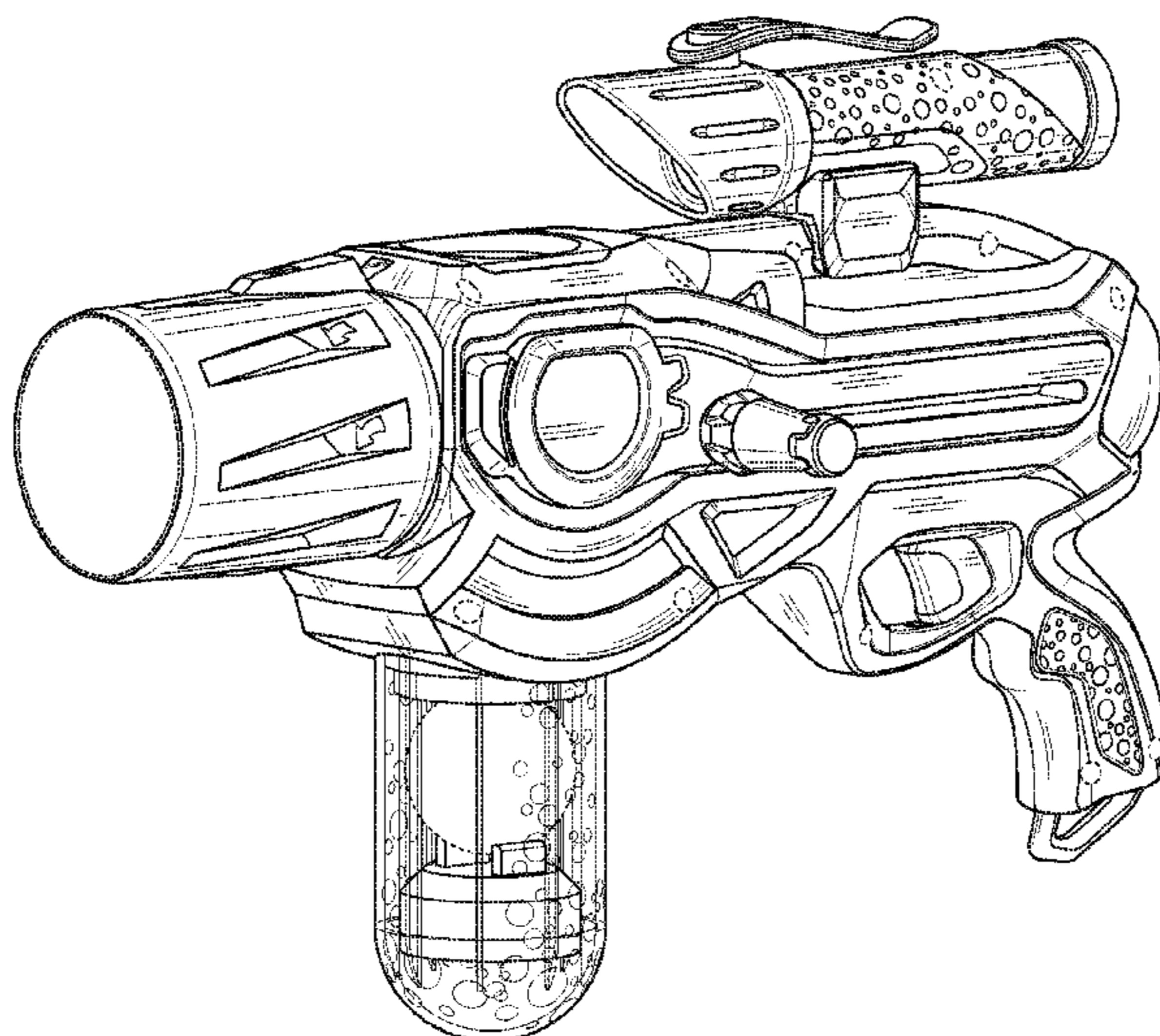
(57) **CLAIM**

The ornamental design for a toy projectile launcher apparatus, as shown and described.

DESCRIPTION

FIG. 1 is a perspective view of the toy projectile launcher apparatus of the instant invention;
FIG. 2 is a right side elevational view thereof;
FIG. 3 is a left side elevational view thereof;
FIG. 4 is a front view thereof;
FIG. 5 is a rear view thereof;
FIG. 6 is a top view thereof; and,
FIG. 7 is a bottom view thereof.
The broken lines shown are included for the purpose of illustrating the unclaimed portions of the article and form no part of the claimed design.

1 Claim, 4 Drawing Sheets



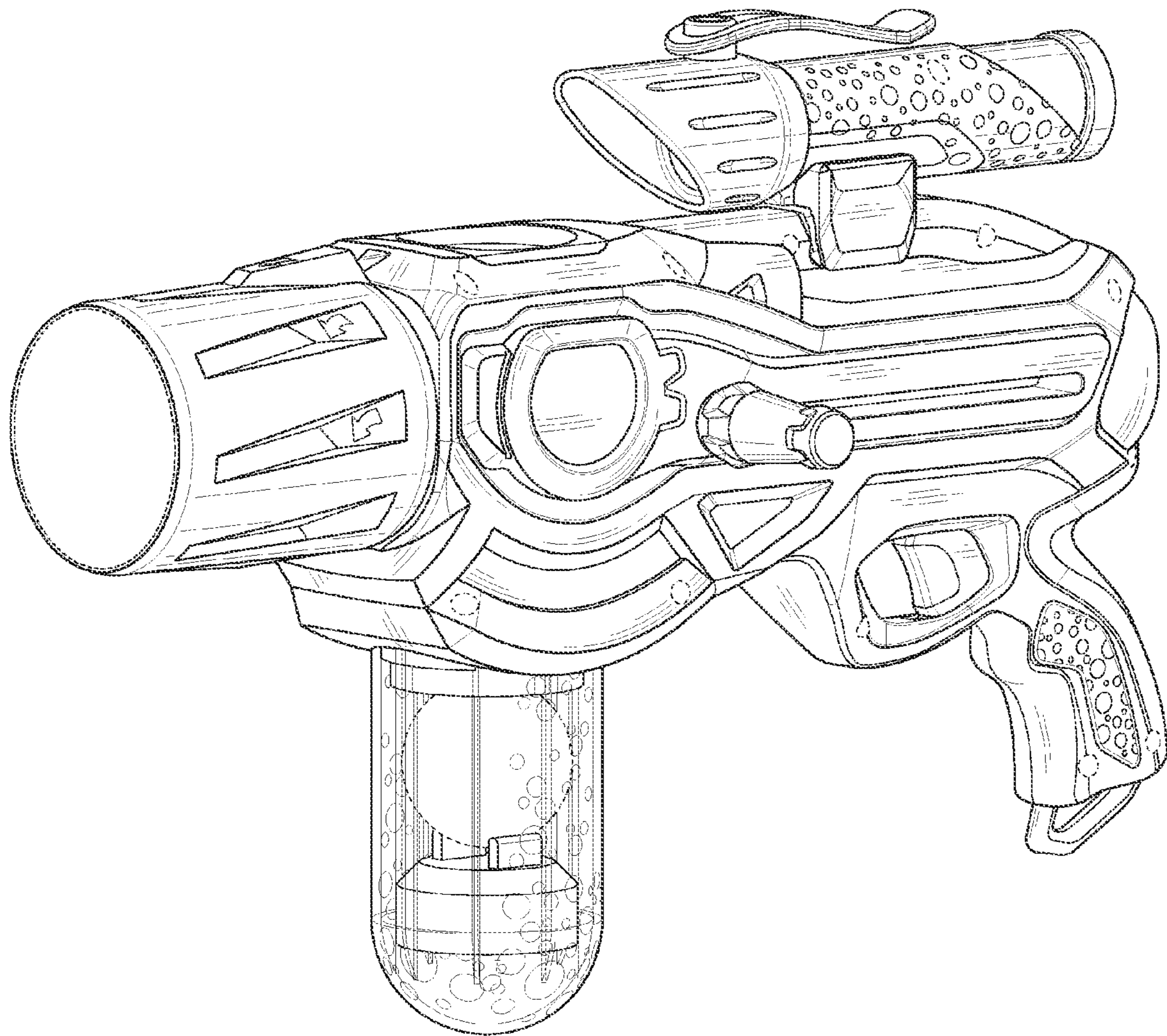


FIG. 1

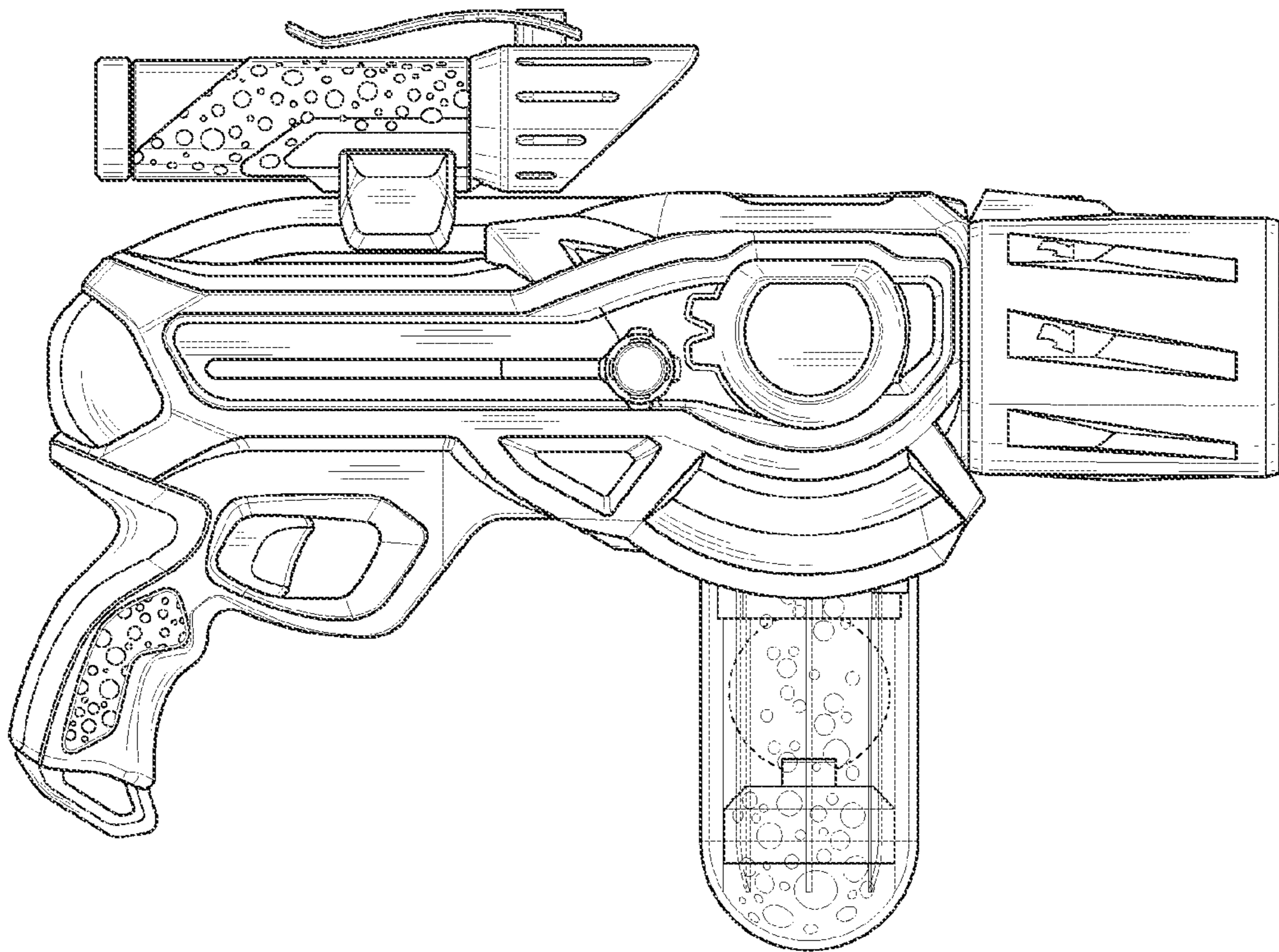


FIG. 2

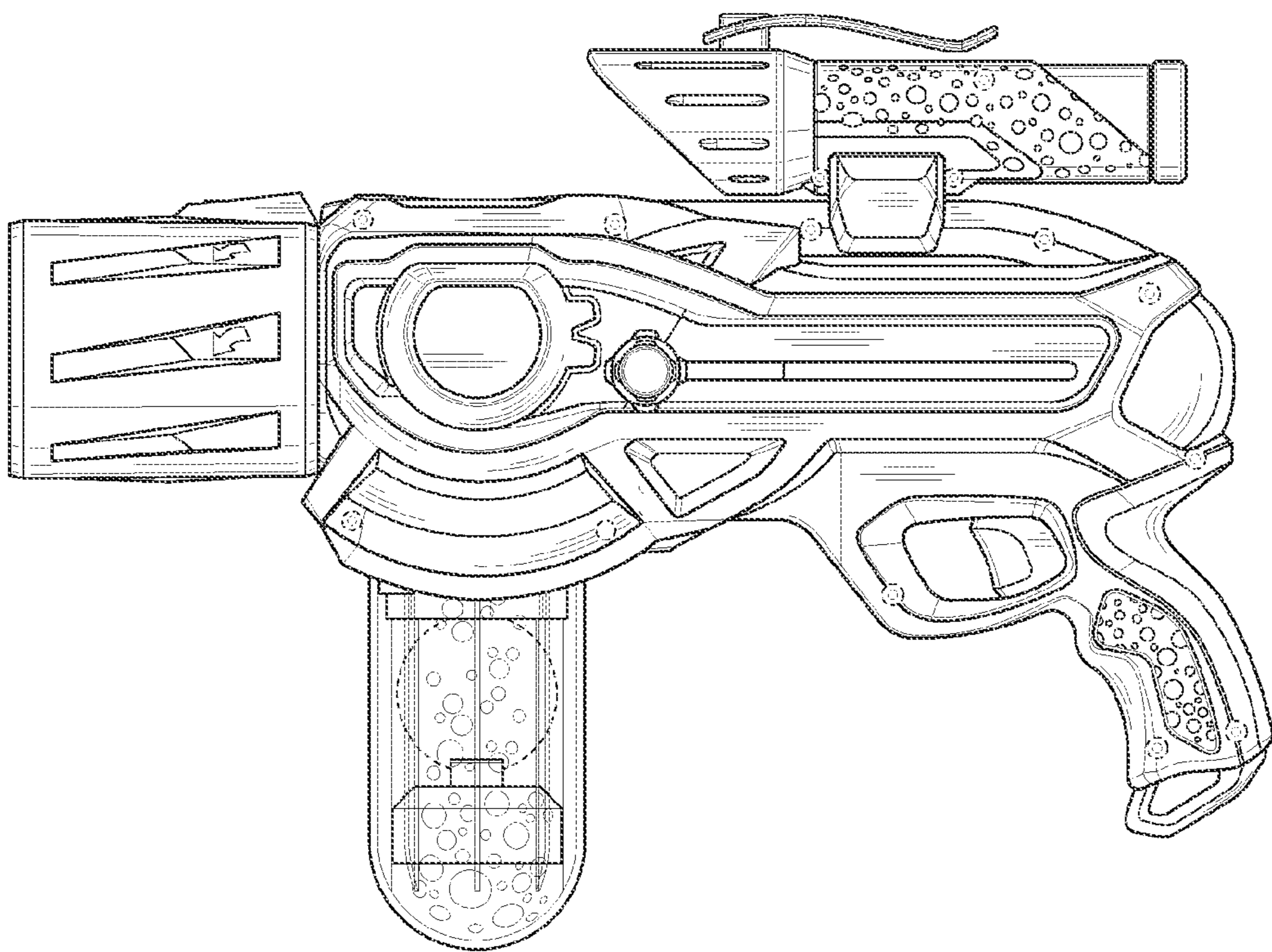


FIG. 3

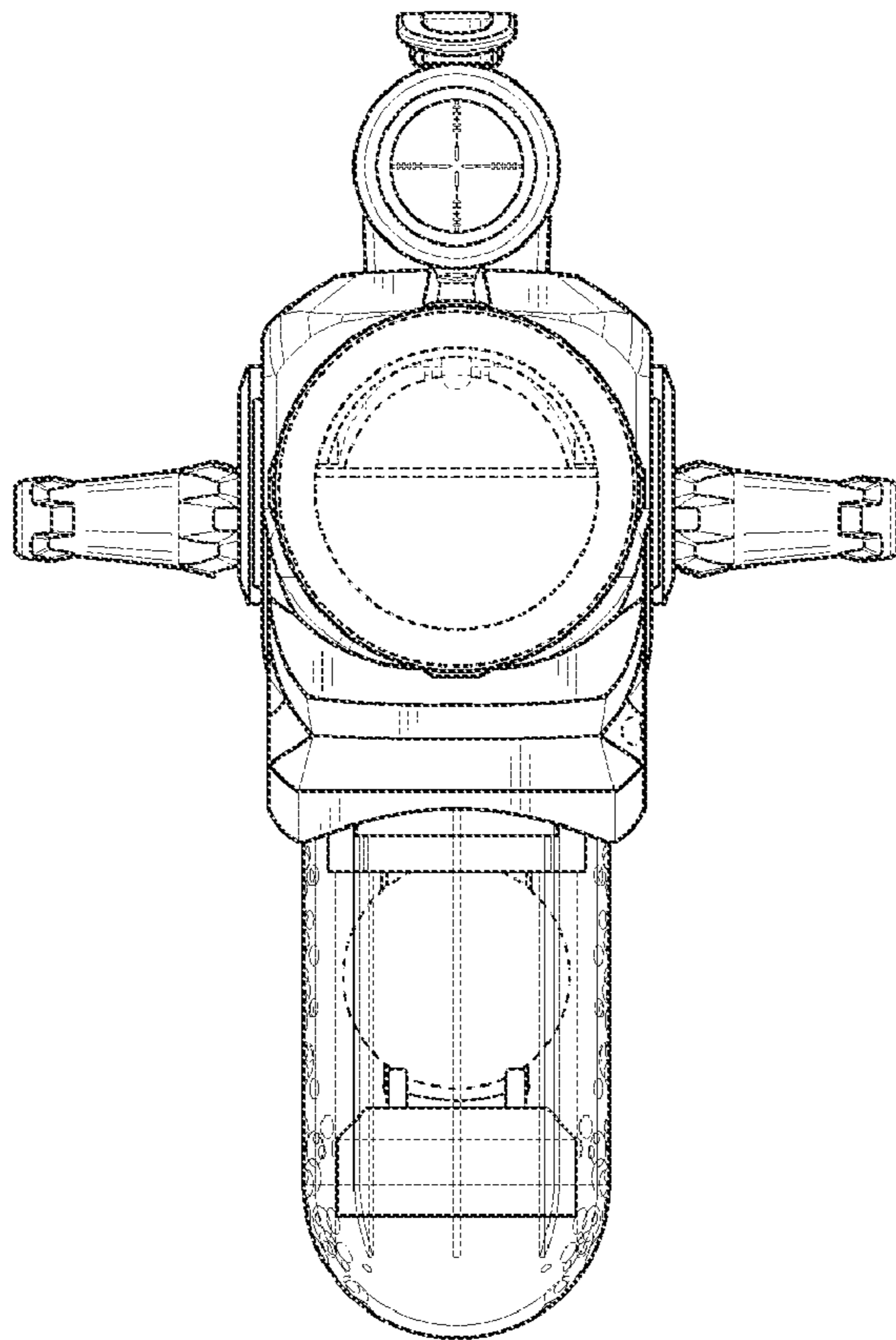


FIG. 4

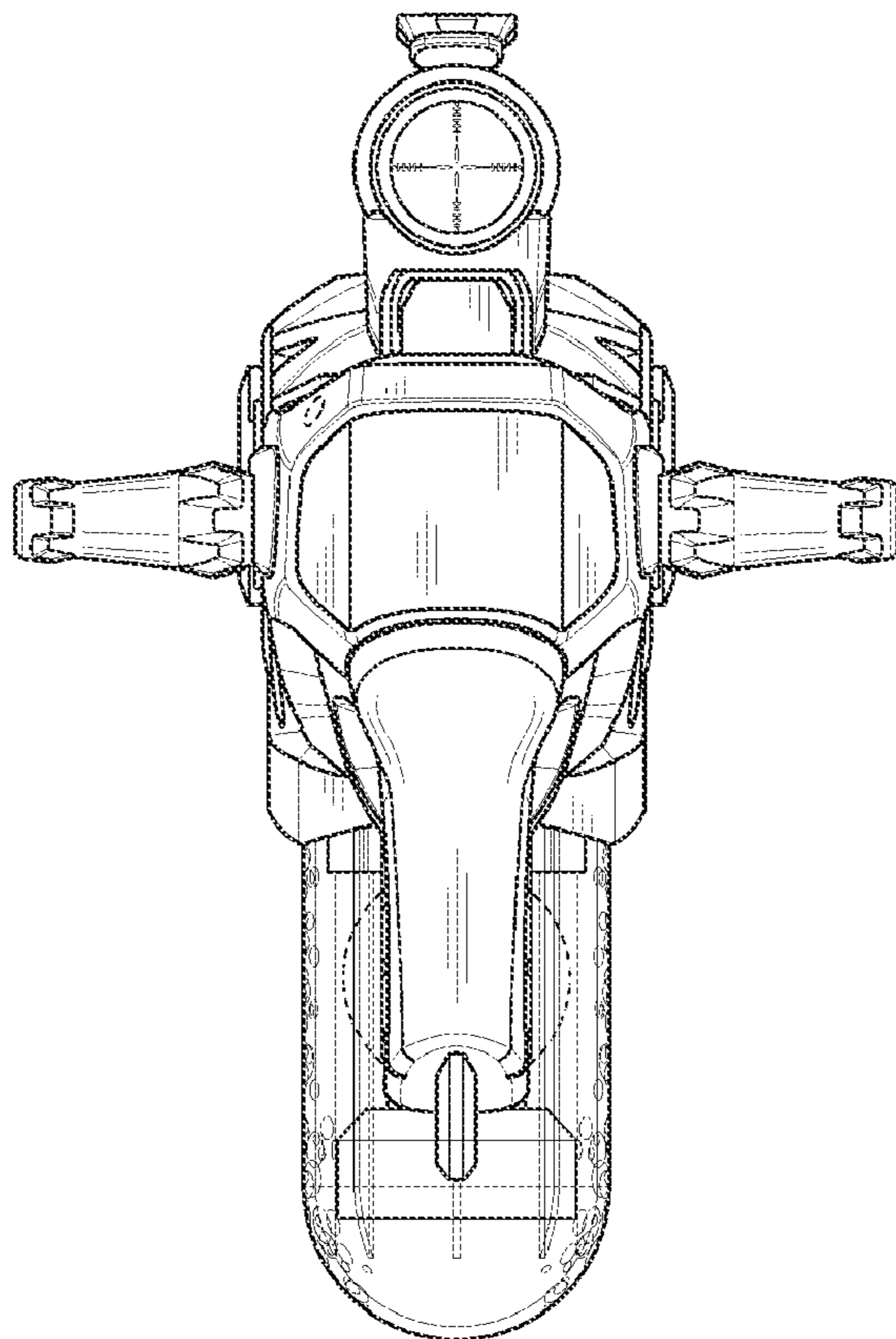


FIG. 5

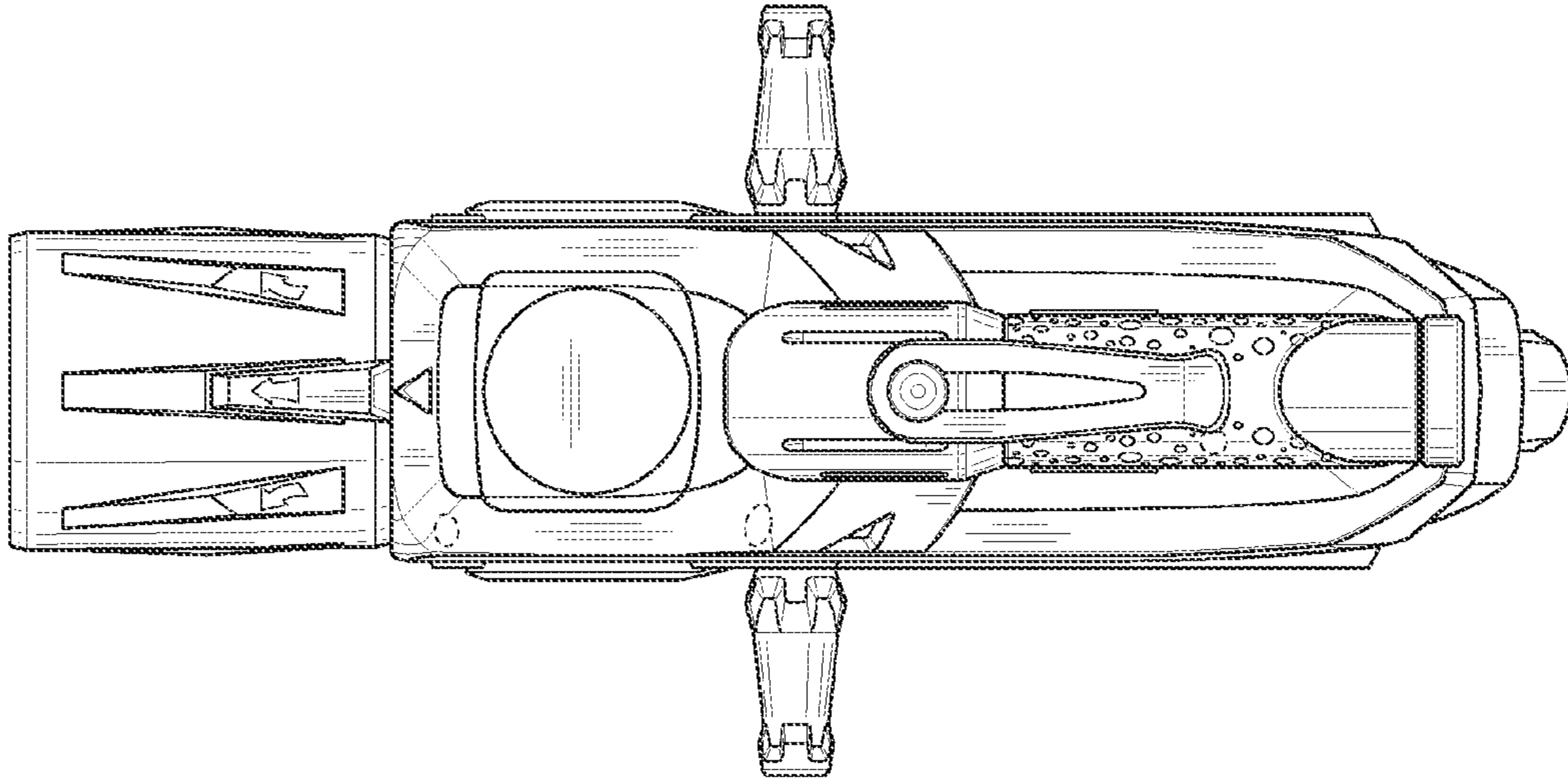


FIG. 6

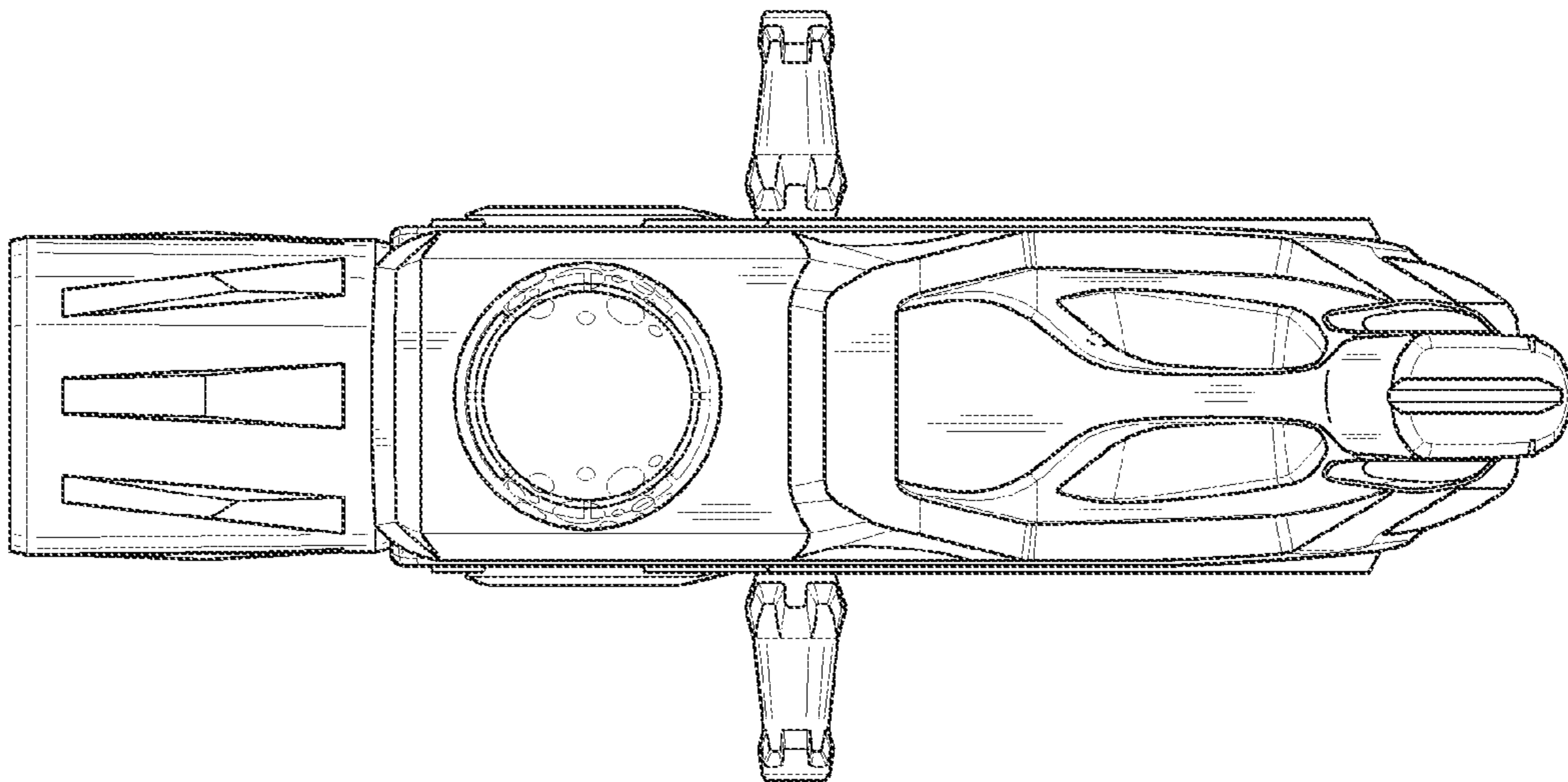


FIG. 7