



US00D658726S

(12) **United States Design Patent**
Greiner

(10) **Patent No.:** **US D658,726 S**
(45) **Date of Patent:** **** May 1, 2012**

(54) **TOY PROJECTILE LAUNCHER APPARATUS**

(75) Inventor: **Joshua H. Greiner**, Columbus, OH (US)

(73) Assignee: **Hasbro, Inc.**, Pawtucket, RI (US)

(**) Term: **14 Years**

(21) Appl. No.: **29/402,770**

(22) Filed: **Sep. 27, 2011**

(51) **LOC (9) Cl.** **21-01**

(52) **U.S. Cl.** **D21/570; D21/574**

(58) **Field of Classification Search** D21/333,
D21/401, 461, 567, 568, 570–575; D14/418;
D22/100, 101, 104, 105, 108–110; 124/16,
124/26, 27, 28, 29, 45, 54, 56, 59, 65, 66,
124/73–77, 78; 222/78, 79; 42/54, 57, 58;
446/23, 182, 192, 401, 403, 405–407, 473,
446/475

See application file for complete search history.

(56) **References Cited**

U.S. PATENT DOCUMENTS

| | | | |
|--------------|---------|------------------|---------|
| 961,511 A | 6/1910 | Marble | |
| 1,374,757 A | 4/1921 | Napier | |
| 1,441,975 A | 1/1923 | Edelin | |
| 2,109,589 A | 3/1938 | Horwitt et al. | |
| D192,474 S * | 3/1962 | Benkoe | D21/574 |
| 3,968,783 A | 7/1976 | Pfotenhauer | |
| D248,988 S * | 8/1978 | Goldfarb et al. | D21/454 |
| 4,170,215 A | 10/1979 | Kettlestrings | |
| 4,248,202 A | 2/1981 | Jaworski et al. | |
| D261,908 S * | 11/1981 | Steinberg | D21/572 |
| 4,659,320 A | 4/1987 | Rich et al. | |
| 5,267,549 A | 12/1993 | Webber | |
| 5,292,134 A | 3/1994 | Schlundt et al. | |
| 5,377,656 A | 1/1995 | Lewinski et al. | |
| 5,433,646 A | 7/1995 | Tarng | |
| 5,471,967 A | 12/1995 | Matsuzaki et al. | |
| 5,529,050 A | 6/1996 | D'Andrade | |

| | | | |
|-------------------|---------|------------------|---------|
| 5,605,140 A | 2/1997 | Griffin | |
| 5,611,322 A | 3/1997 | Matsuzaki et al. | |
| 5,711,285 A | 1/1998 | Stewart et al. | |
| D390,284 S * | 2/1998 | Mak | D21/454 |
| 5,996,564 A | 12/1999 | Kotowski | |
| D429,505 S * | 8/2000 | Hornsby et al. | D21/572 |
| D430,908 S * | 9/2000 | Hornsby et al. | D21/572 |
| 6,224,457 B1 | 5/2001 | Wu | |
| 6,598,329 B1 | 7/2003 | Alexander | |
| D487,293 S * | 3/2004 | Zuloff | D21/574 |
| 6,733,356 B2 | 5/2004 | Lee | |
| 7,287,526 B1 | 10/2007 | Bligh et al. | |
| 7,418,797 B1 | 9/2008 | Crose | |
| 7,437,847 B1 | 10/2008 | Mabry | |
| 7,552,557 B1 | 6/2009 | Mabry | |
| 7,673,624 B2 | 3/2010 | Rosella, Jr. | |
| D617,398 S * | 6/2010 | Selevan | D21/572 |
| 2006/0242880 A1 | 11/2006 | Griffin | |
| 2007/0034197 A1 * | 2/2007 | Tschech | 124/65 |

* cited by examiner

Primary Examiner — Cynthia M Chin

(74) *Attorney, Agent, or Firm* — Perry Hoffman

(57) **CLAIM**

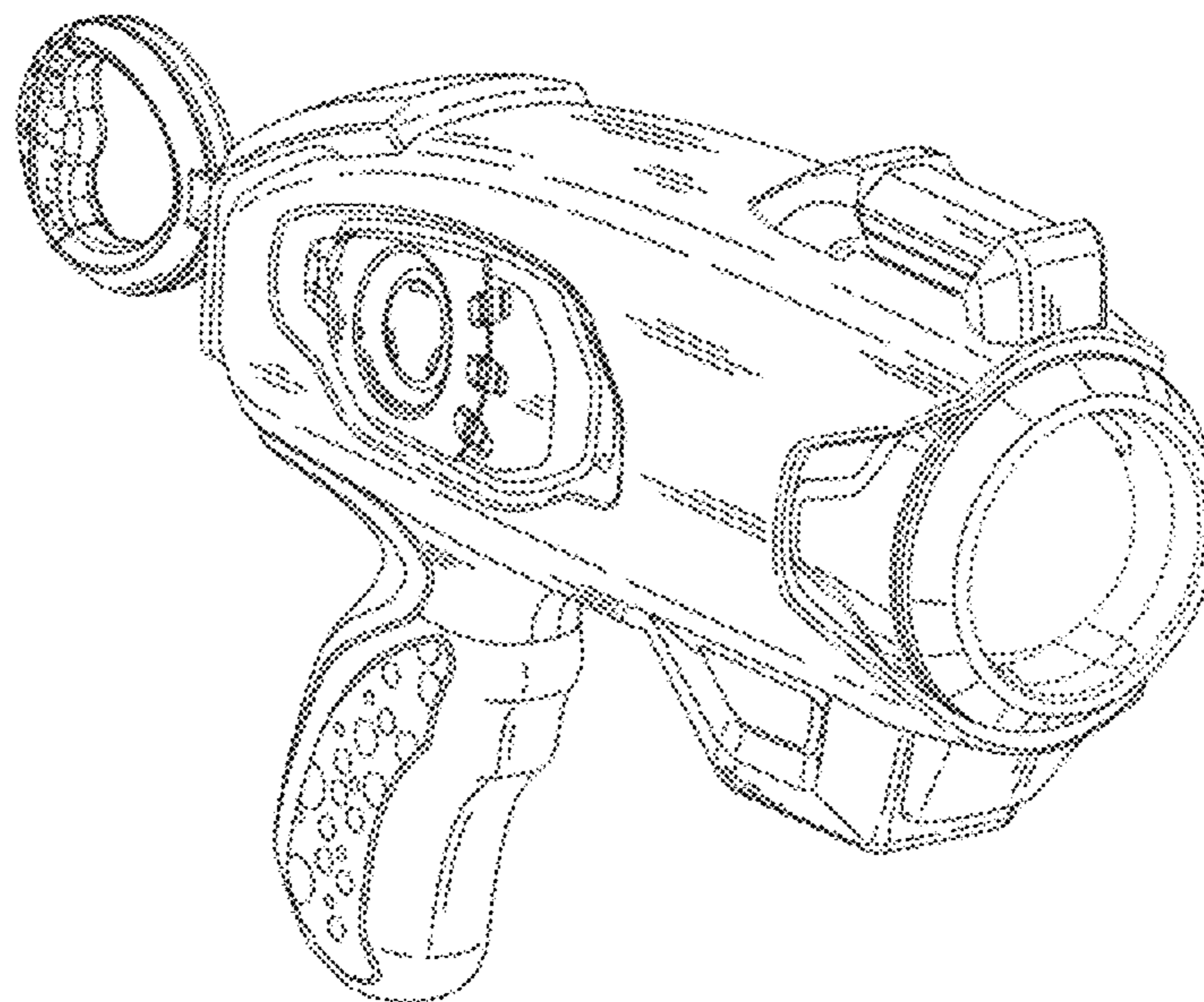
The ornamental design for a toy projectile launcher apparatus, as shown and described.

DESCRIPTION

FIG. 1 is a perspective view of the toy projectile launcher apparatus of the instant invention;
FIG. 2 is a right side elevational view thereof;
FIG. 3 is a left side elevational view thereof;
FIG. 4 is a front view thereof;
FIG. 5 is a rear view thereof;
FIG. 6 is a top view thereof; and,
FIG. 7 is a bottom view thereof.

The broken lines shown are included for the purpose of illustrating the unclaimed portions of the article and form no part of the claimed design.

1 Claim, 4 Drawing Sheets



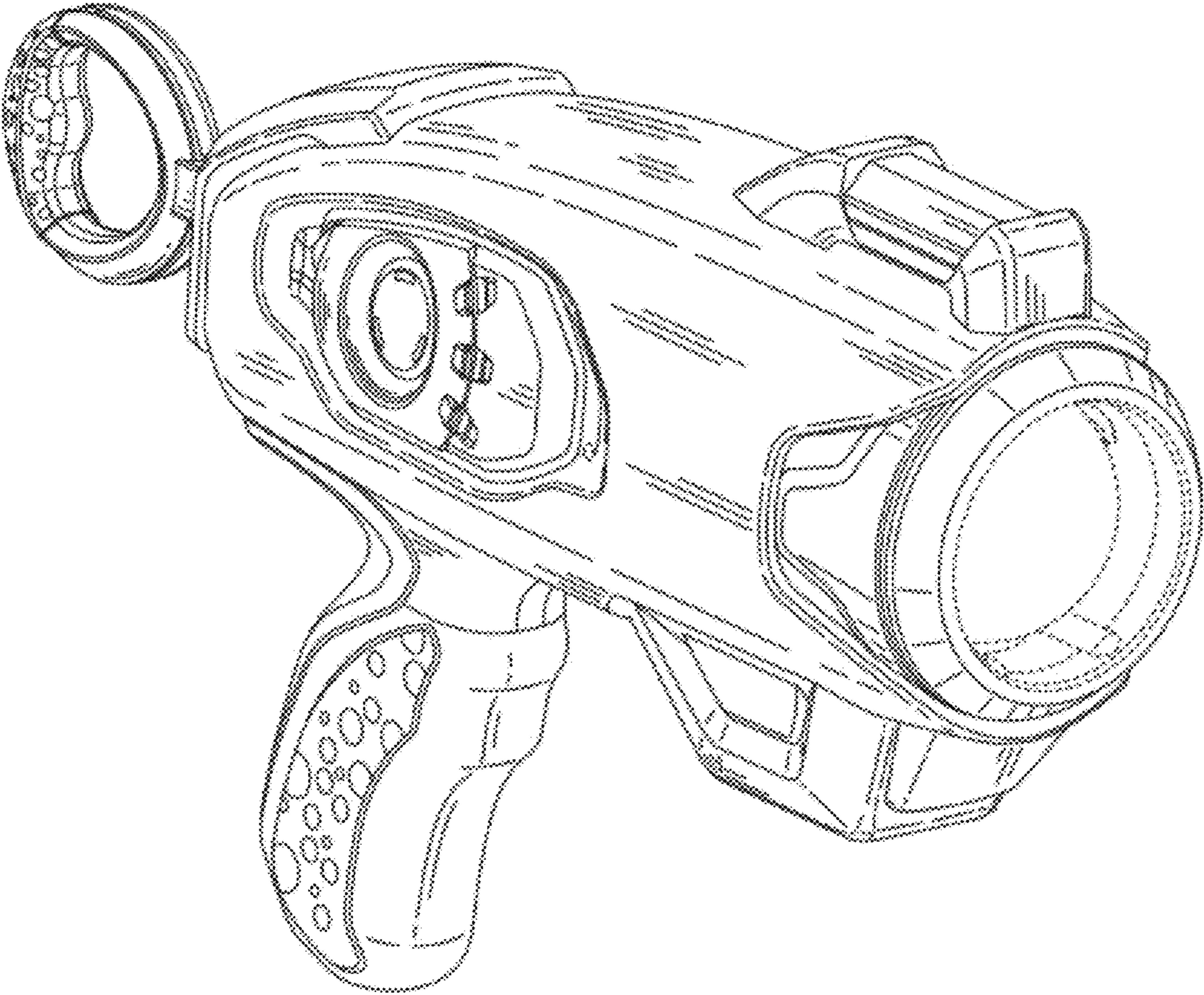


FIG. 1

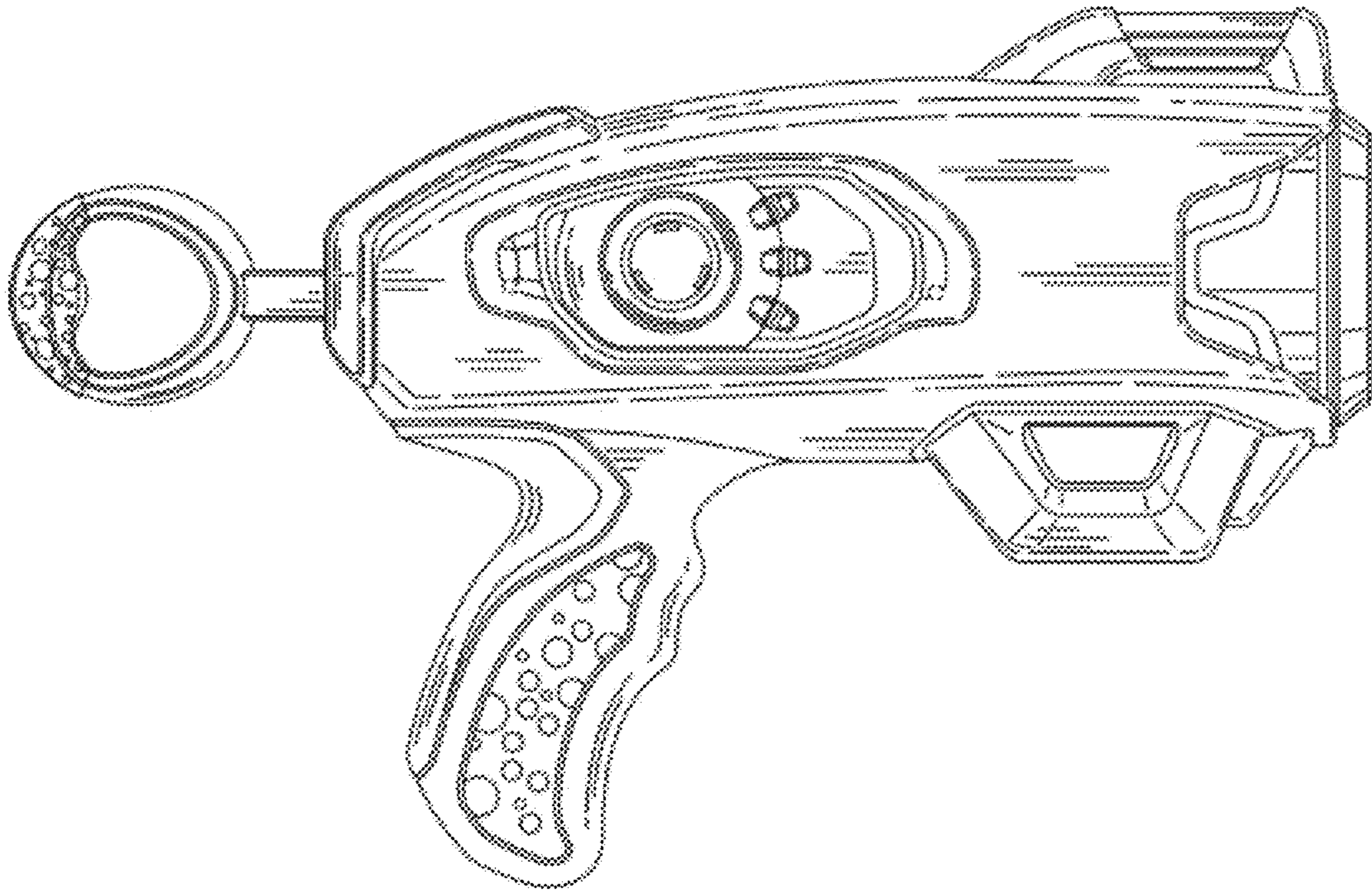


FIG. 2

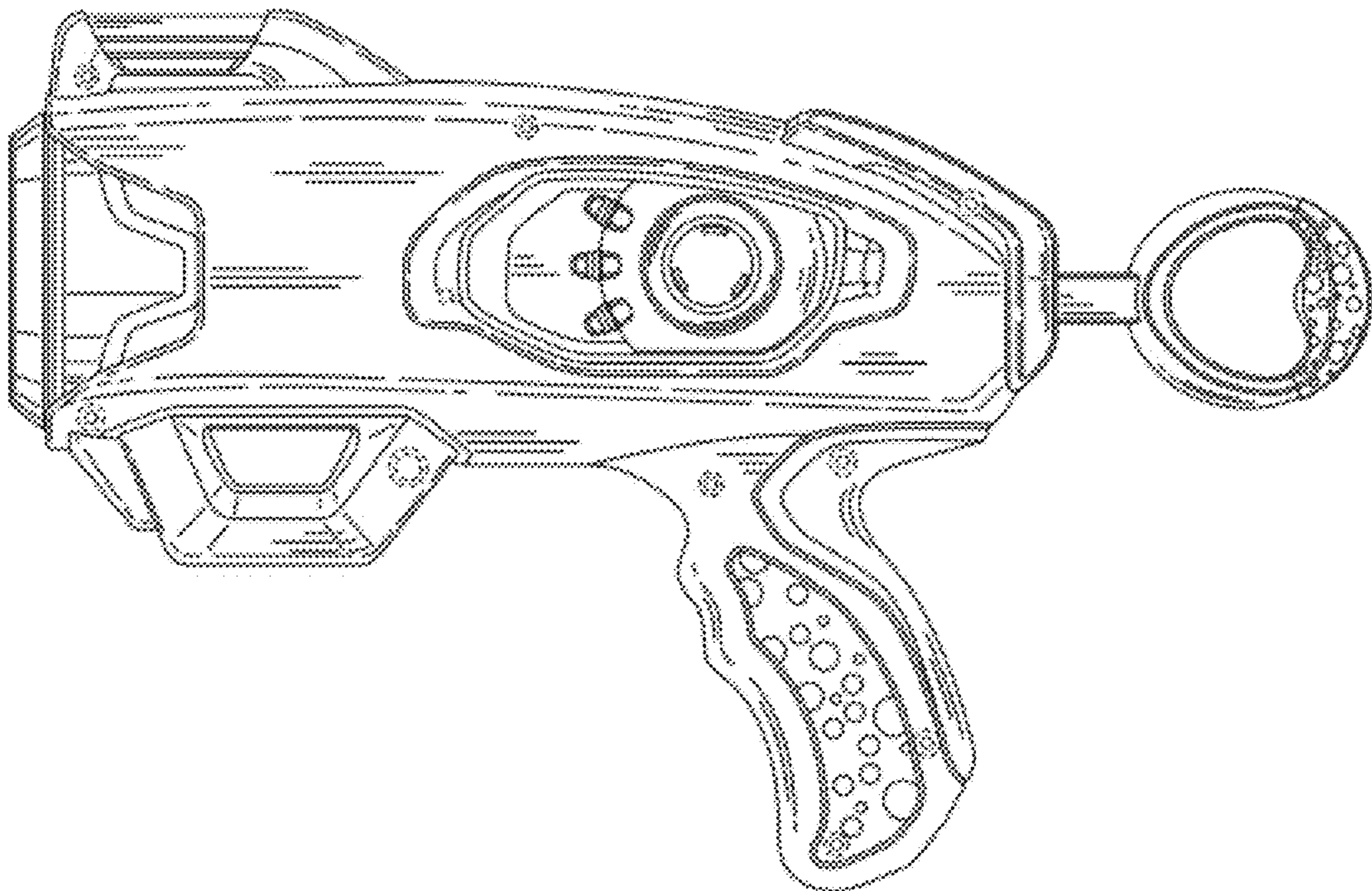


FIG. 3

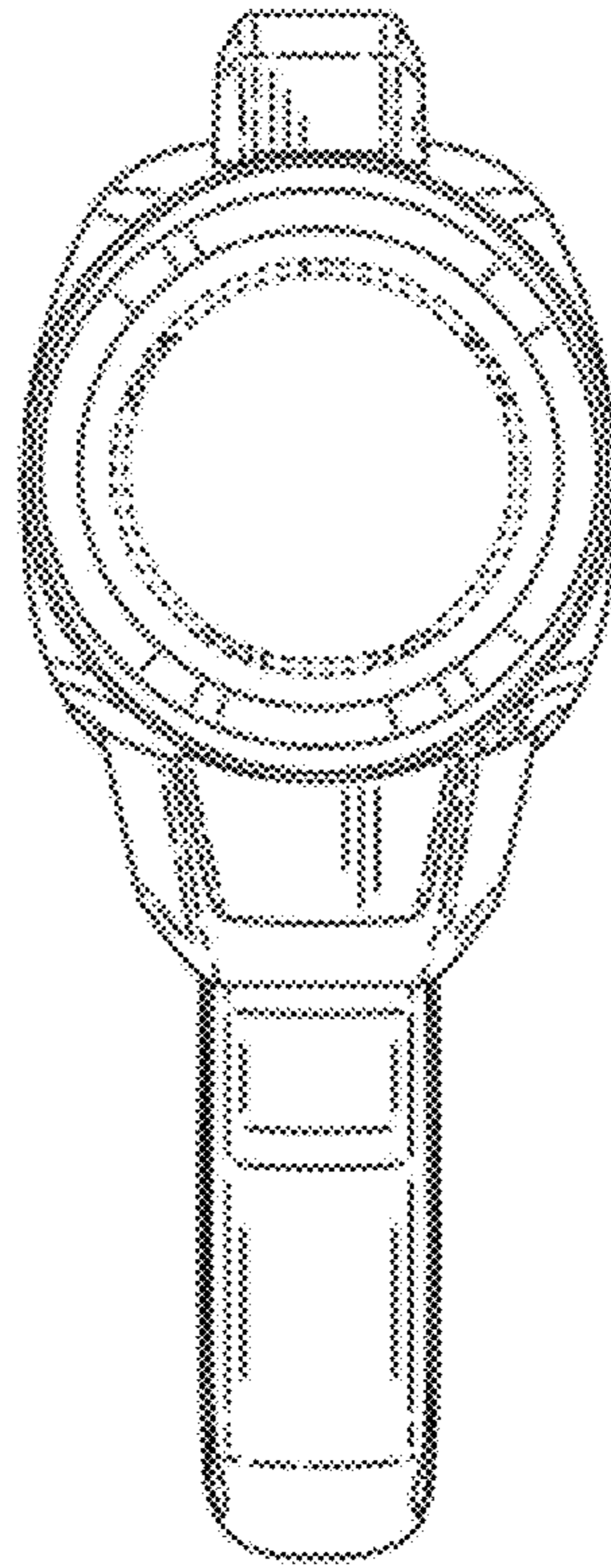


FIG. 4

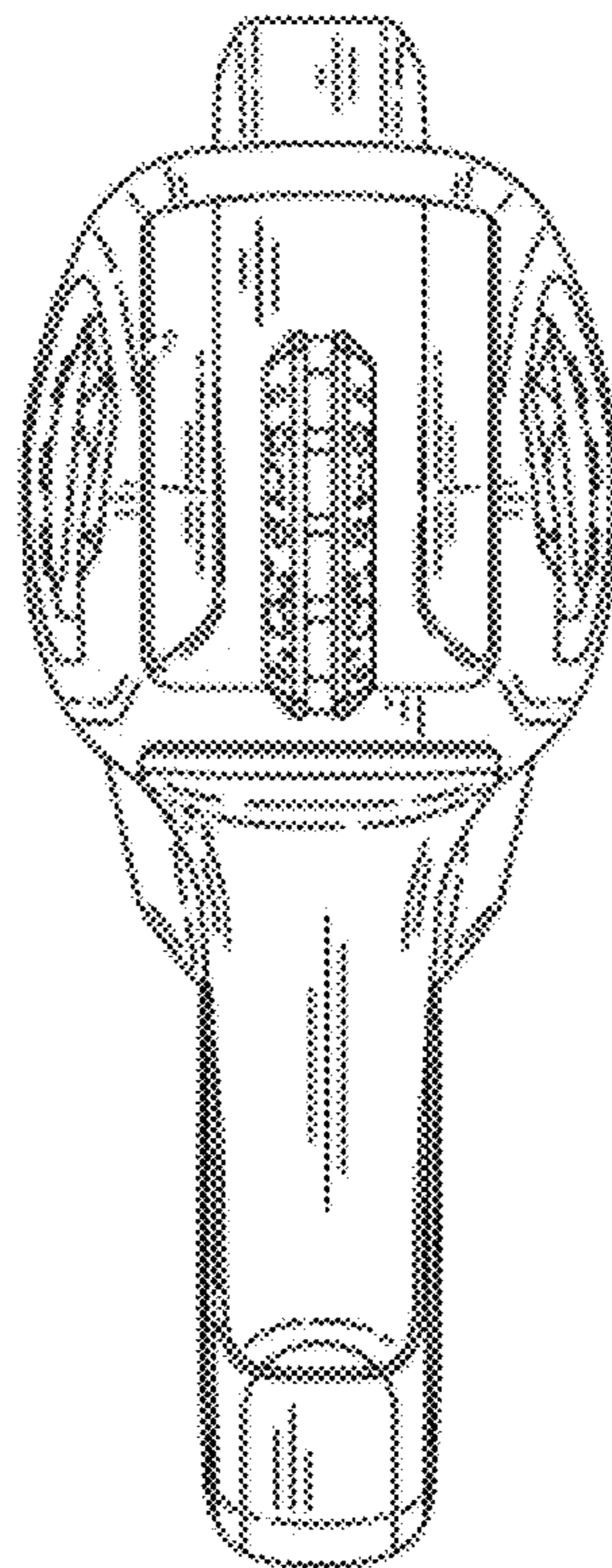


FIG. 5

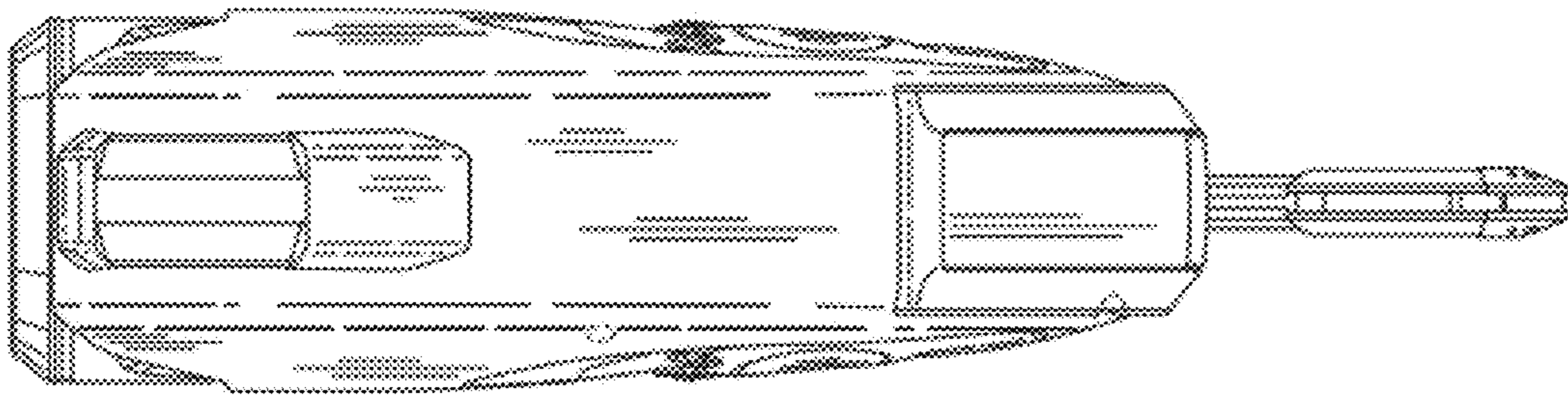


FIG. 6

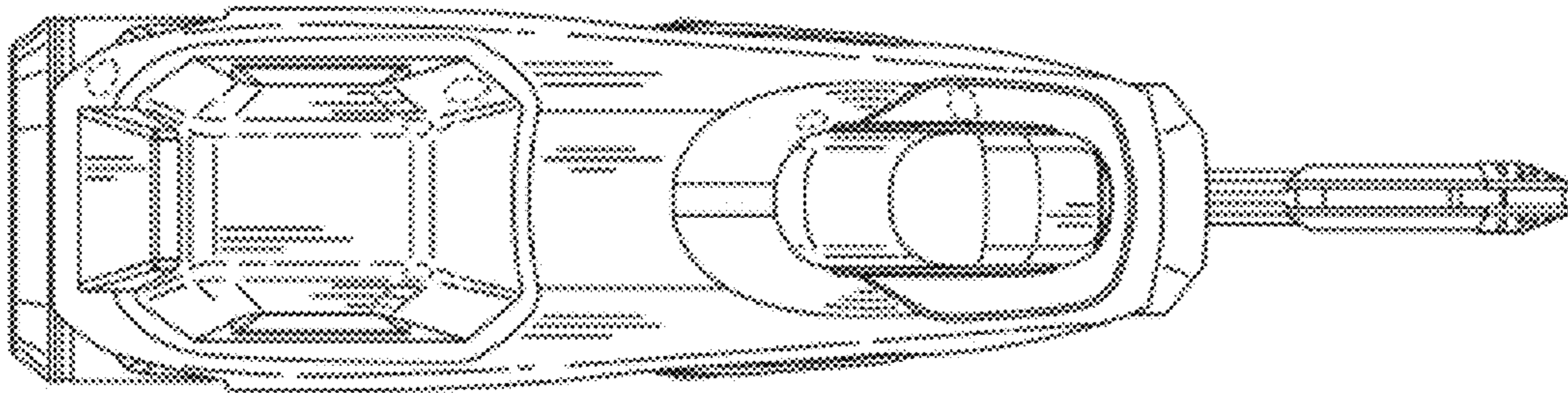


FIG. 7