



US00D658724S

(12) **United States Design Patent**
Epstein

(10) **Patent No.:** **US D658,724 S**

(45) **Date of Patent:** **** May 1, 2012**

(54) **SCOOTER**

(76) Inventor: **Andreas Epstein**, Munich (DE)

(**) Term: **14 Years**

(21) Appl. No.: **29/361,402**

(22) Filed: **May 11, 2010**

(30) **Foreign Application Priority Data**

Nov. 11, 2009 (EM) 001634767

(51) **LOC (9) Cl.** **21-01**

(52) **U.S. Cl.** **D21/423**

(58) **Field of Classification Search** D21/419,
D21/421, 423, 426-428, 435, 760, 765, 771;
D12/1, 8, 108, 112, 113; 280/8, 14.21, 14.25,
280/14.26, 87.041, 87.042, 200, 214, 220,
280/221, 239, 263, 288.1, 288.2, 288.4, 809;
180/180, 181

See application file for complete search history.

(56) **References Cited**

U.S. PATENT DOCUMENTS

2,597,748 A * 5/1952 Powell 280/87.041
4,047,732 A * 9/1977 Williams et al. 280/287
4,076,270 A * 2/1978 Winchell 280/220
4,088,338 A * 5/1978 Winchell et al. 280/220
4,123,079 A * 10/1978 Biskup 280/87.042
4,165,093 A * 8/1979 Biskup 280/220

4,540,192 A * 9/1985 Shelton 280/282
D291,211 S * 8/1987 Man D21/423
6,554,302 B1 * 4/2003 Liu 280/87.041
D495,374 S * 8/2004 Chuang D21/423
D495,758 S * 9/2004 Chuang D21/423
D497,957 S * 11/2004 Chuang D21/423
D522,076 S * 5/2006 Casey D21/687
D568,417 S * 5/2008 Meguerditchian D21/423
7,597,334 B2 * 10/2009 Chen 280/87.041
2002/0063411 A1 * 5/2002 Feng 280/278
2003/0090076 A1 * 5/2003 Beleski, Jr. 280/87.041

* cited by examiner

Primary Examiner — Cynthia M Chin

(74) *Attorney, Agent, or Firm* — Kagan Binder, PLLC

(57) **CLAIM**

The ornamental design for a scooter, as shown and described.

DESCRIPTION

FIG. 1 is a front perspective view of a scooter of the present design shown in a first configuration.

FIG. 2 is a front view of the scooter of FIG. 1.

FIG. 3 is a side view of the scooter of FIG. 1.

FIG. 4 is a top view of the scooter of FIG. 1.

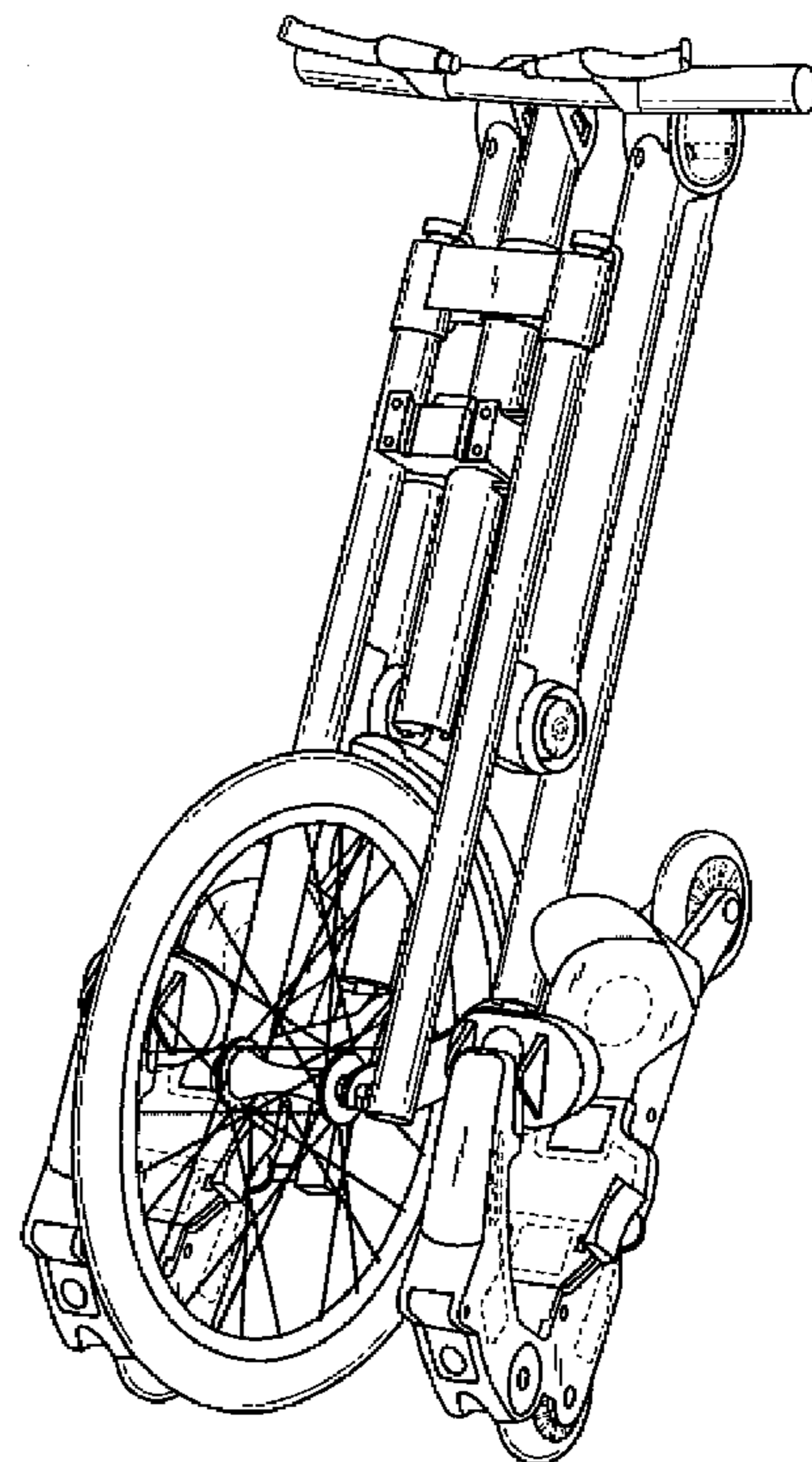
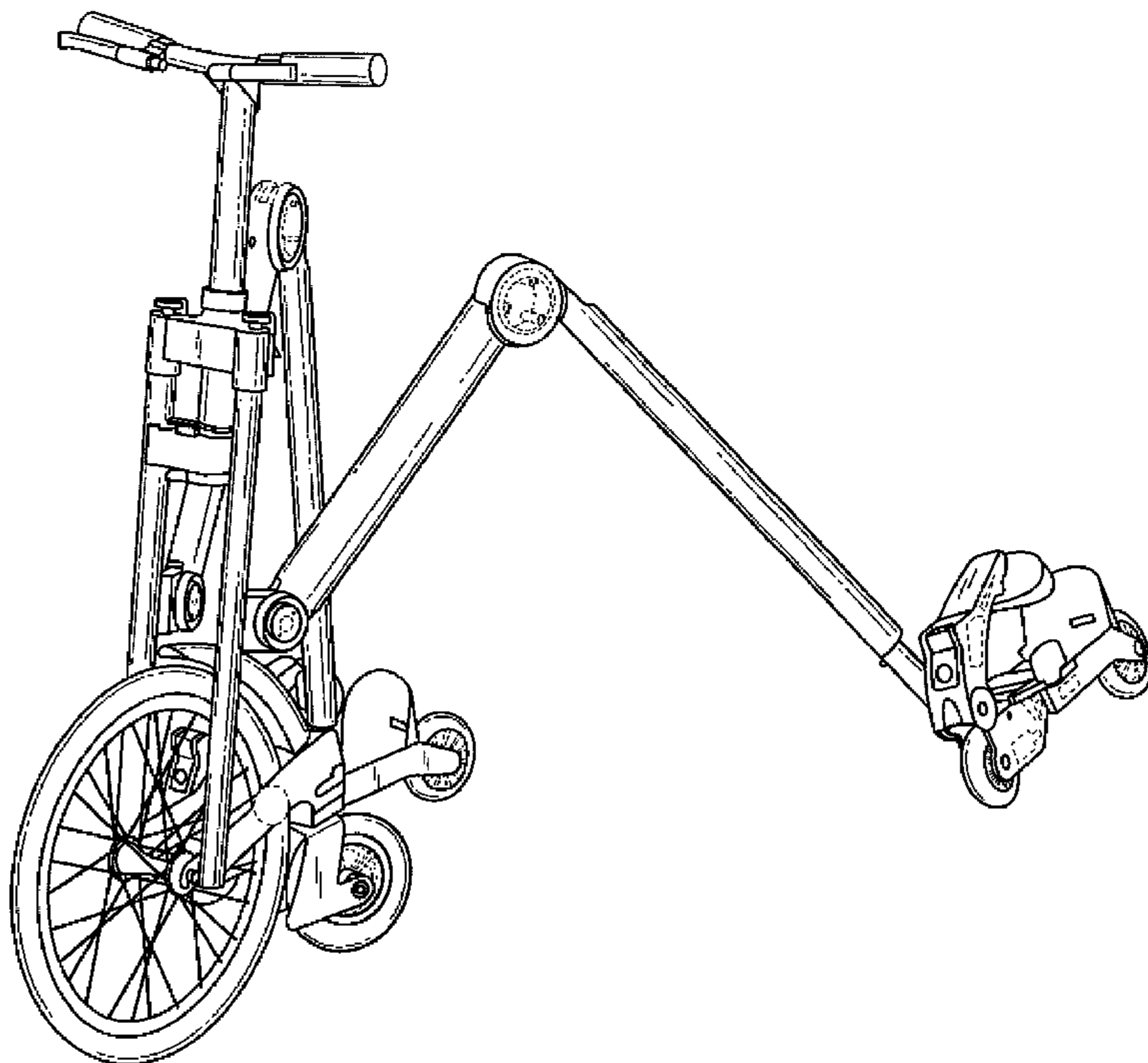
FIG. 5 is a rear perspective view of the scooter of FIG. 1.

FIG. 6 is a front perspective view of the scooter of FIG. 1 shown in a folded configuration; and,

FIG. 7 is a side view of the scooter of FIG. 6.

The broken lines represent portions of the article that form no part of the claim.

1 Claim, 7 Drawing Sheets



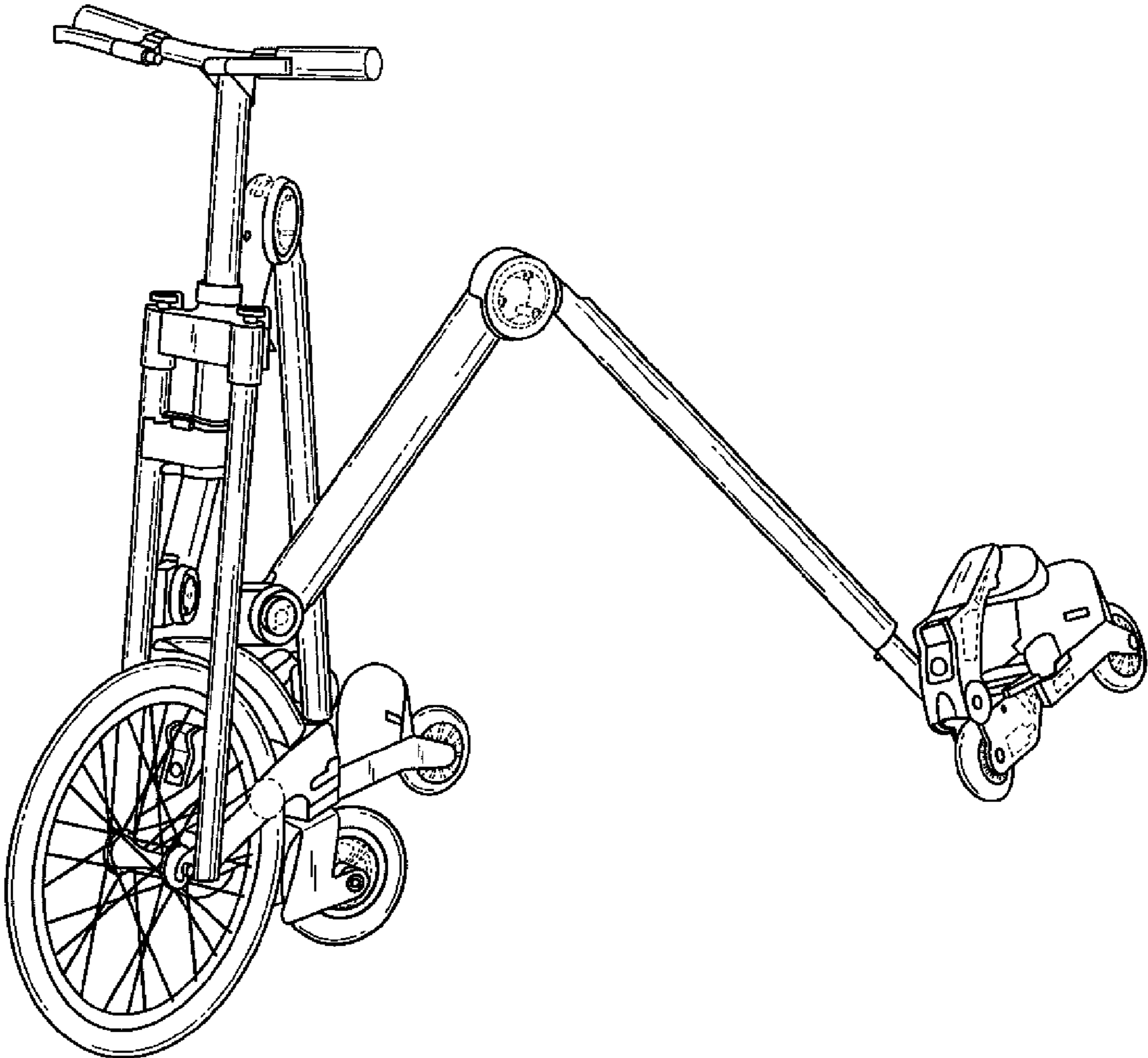


Fig. 1

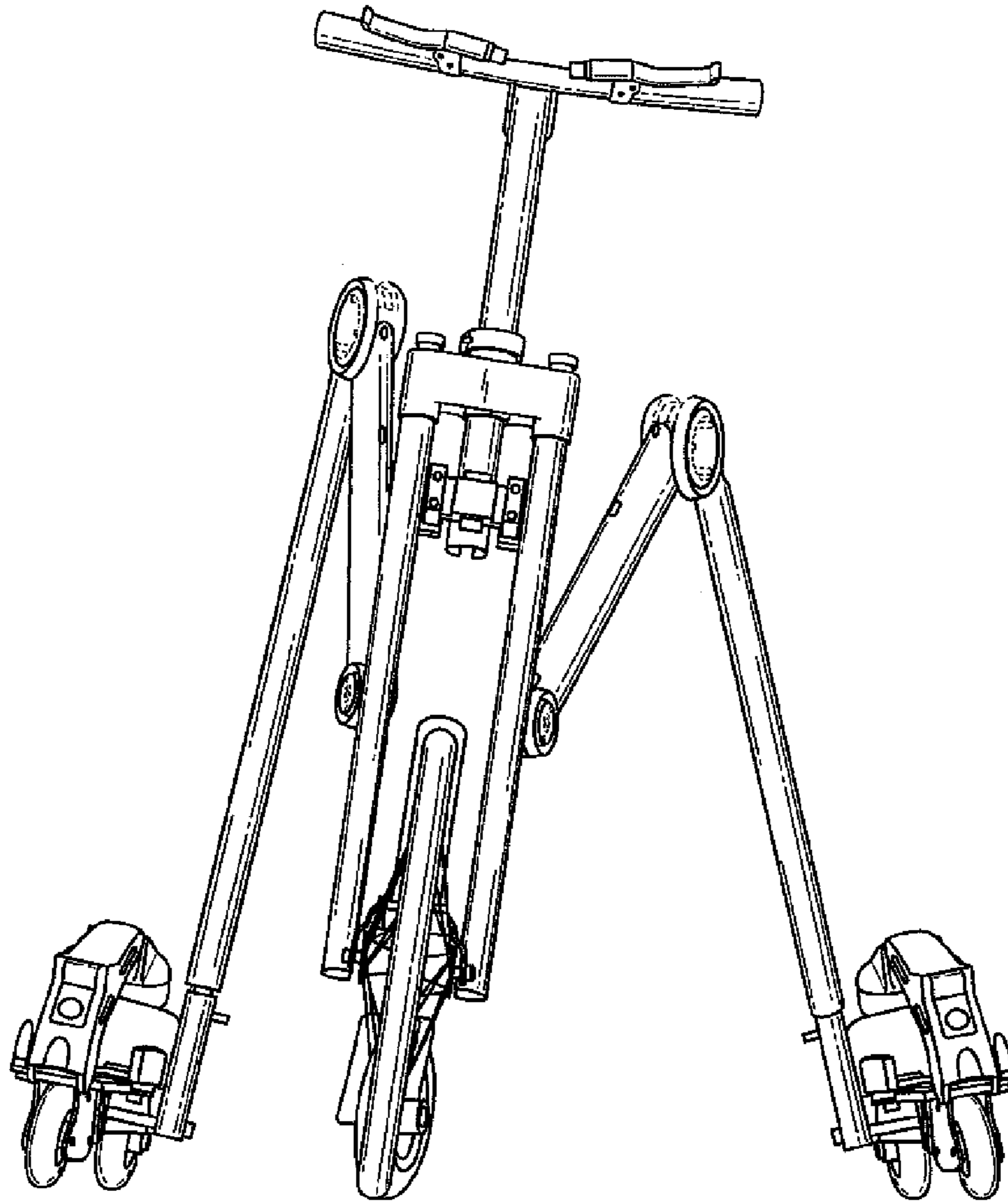


Fig. 2

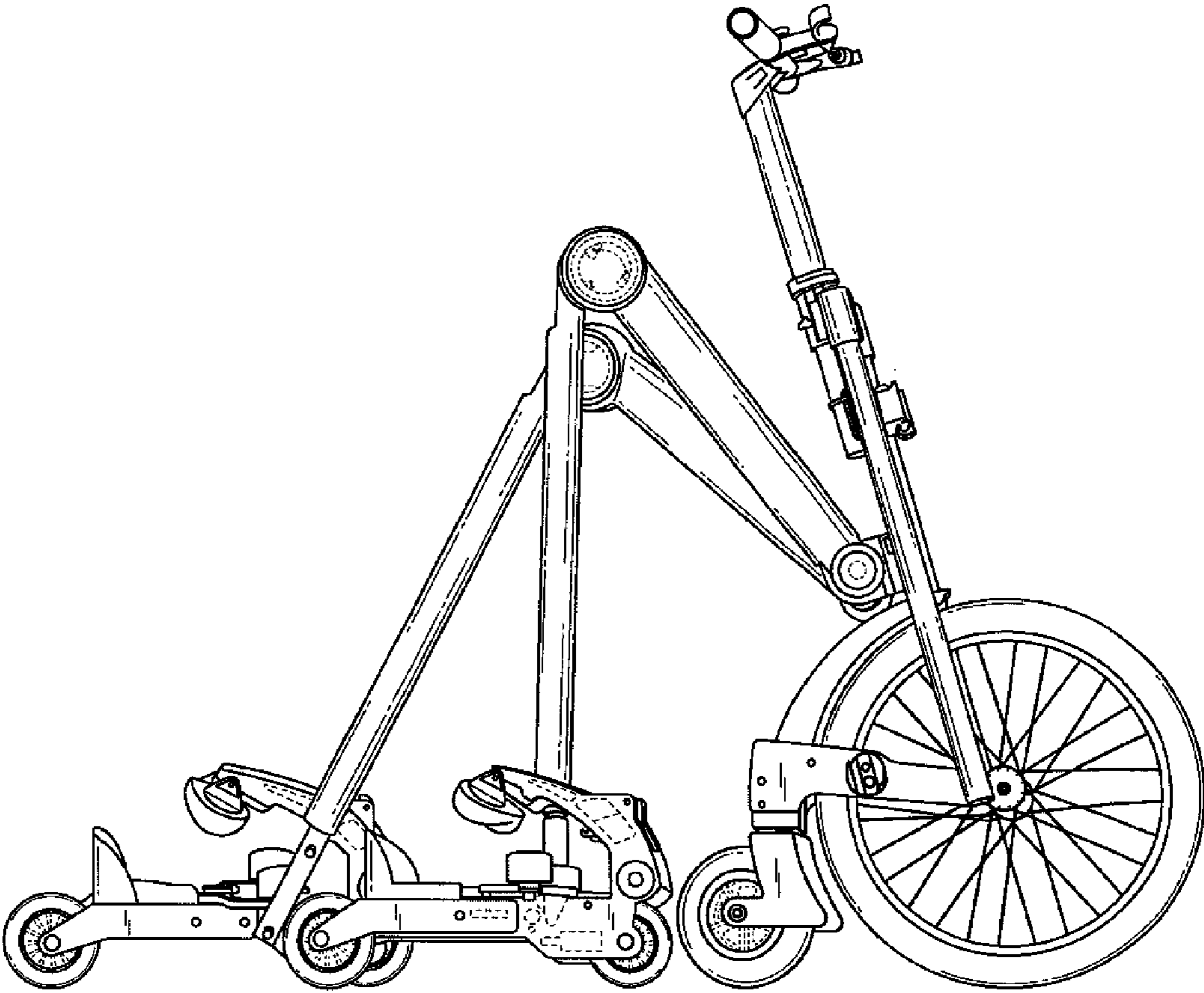


Fig. 3

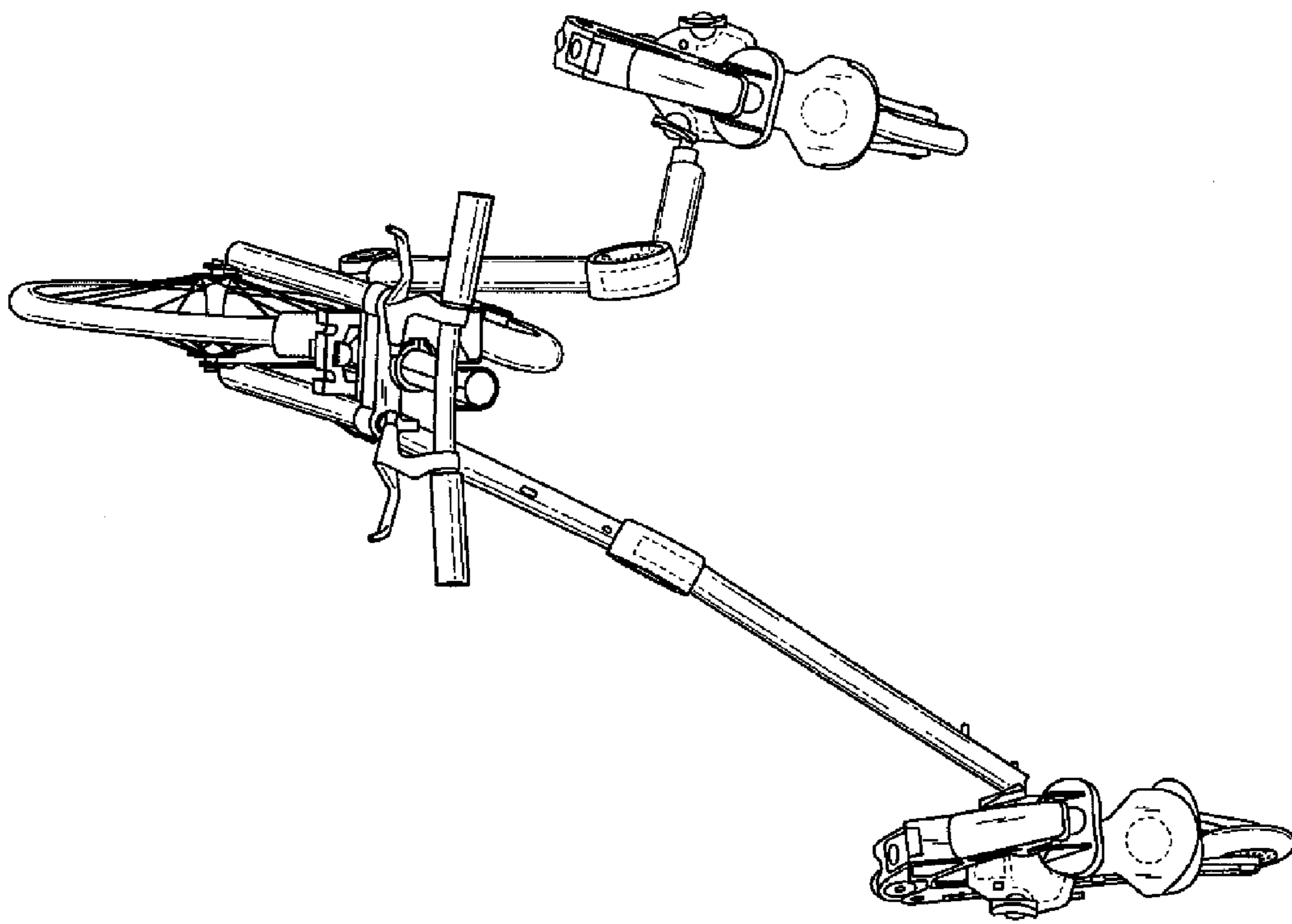


Fig. 4

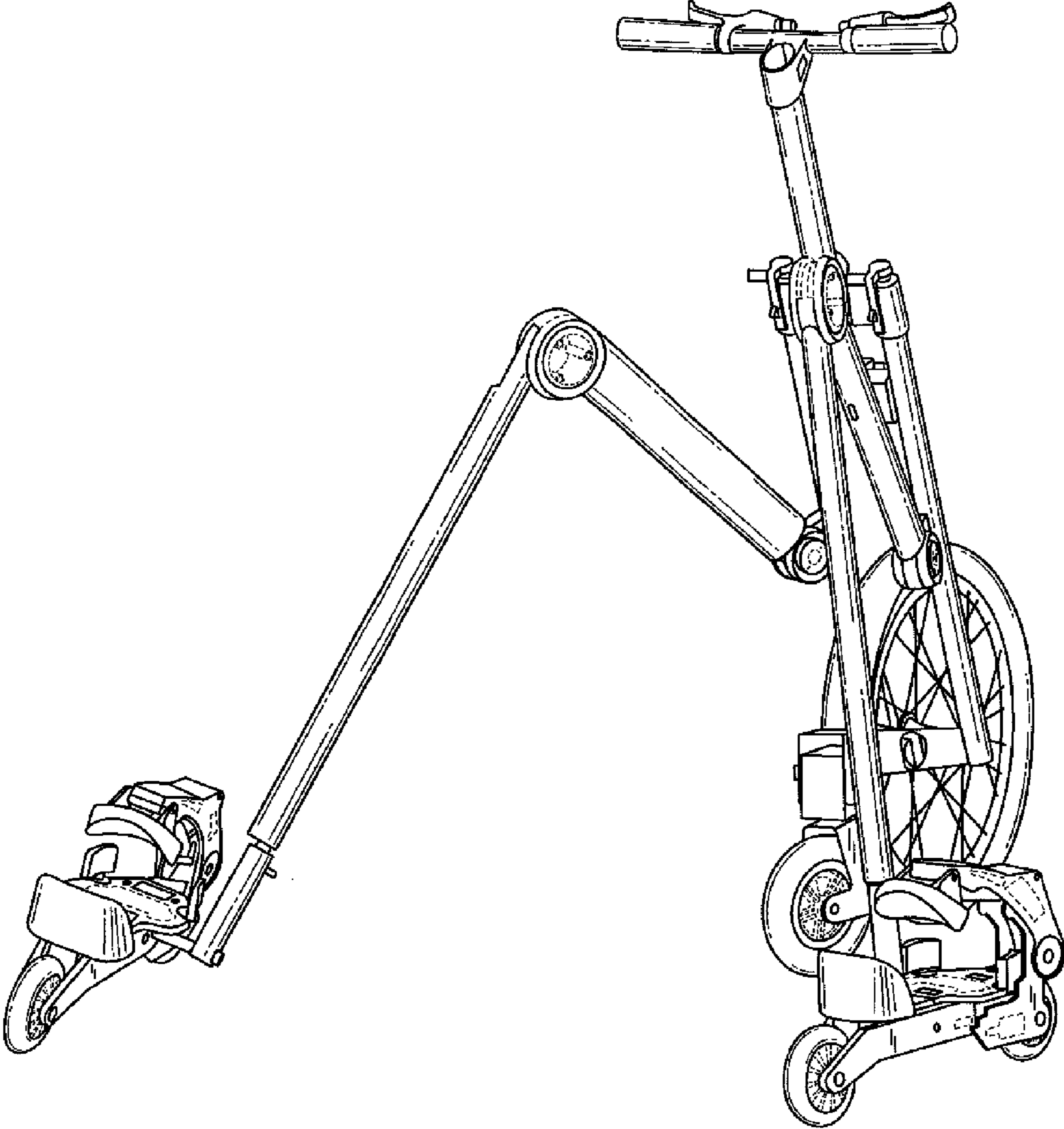


Fig. 5

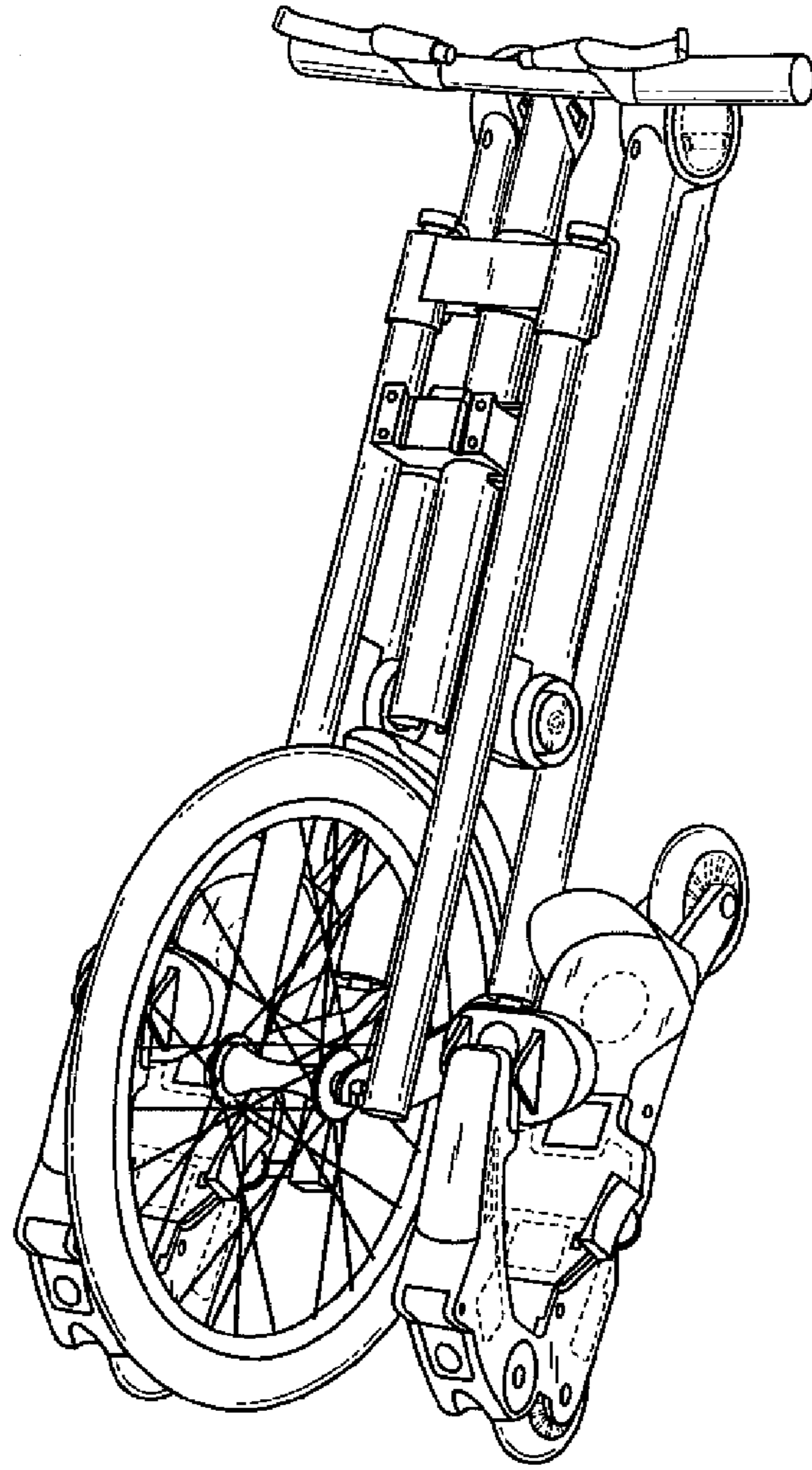


Fig. 6

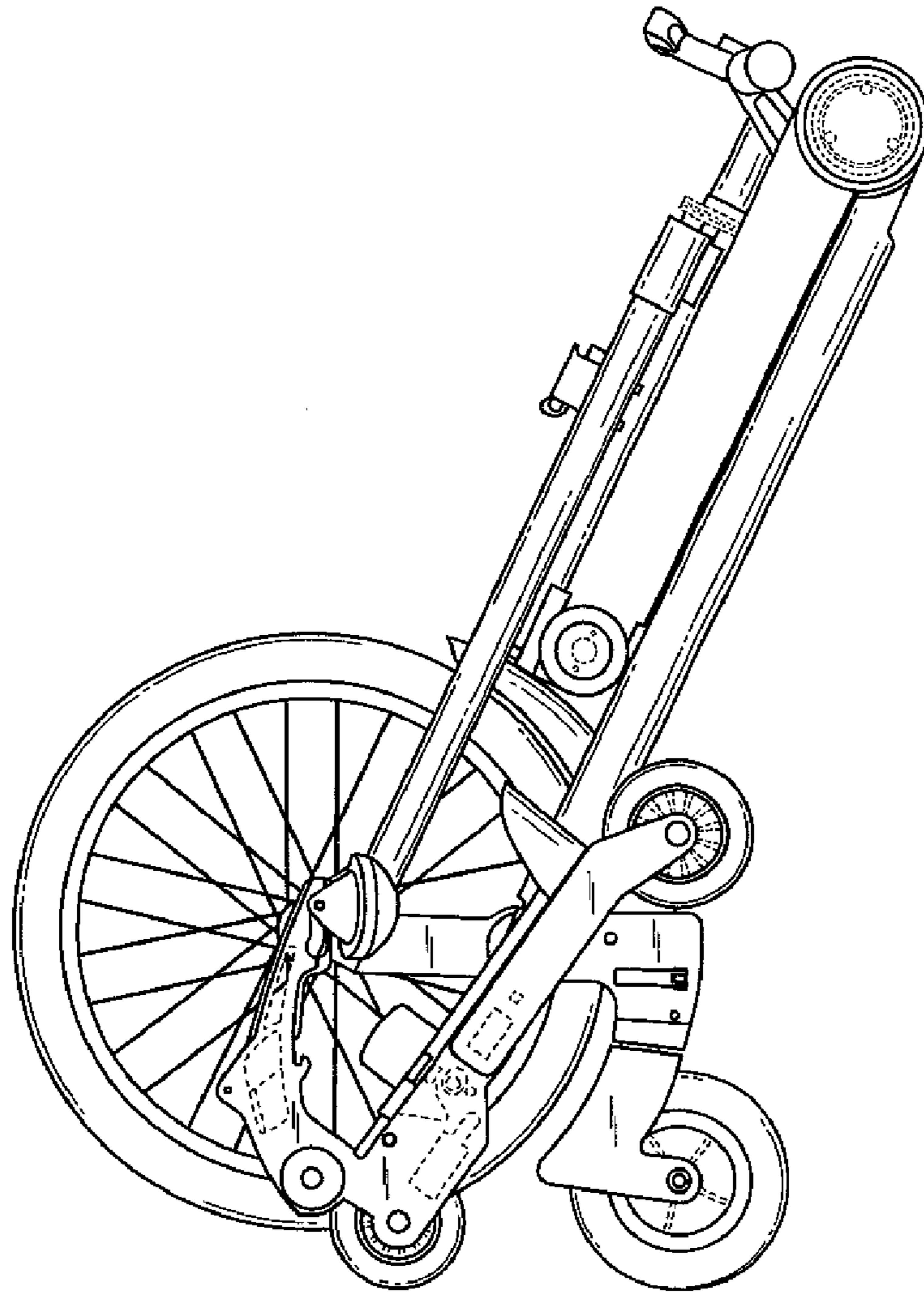


Fig. 7