



US00D658721S

(12) **United States Design Patent**  
**Yang**

(10) **Patent No.:** **US D658,721 S**

(45) **Date of Patent:** **\*\* May 1, 2012**

(54) **GAMING MACHINE**

(75) Inventor: **Arden Yang**, Rosemead, CA (US)

(73) Assignee: **Astro Corporation**, New Taipei (TW)

(\*\*) Term: **14 Years**

(21) Appl. No.: **29/391,123**

(22) Filed: **May 4, 2011**

(51) **LOC (9) Cl.** ..... **21-03**

(52) **U.S. Cl.** ..... **D21/370; D21/326**

(58) **Field of Classification Search** ..... D21/325-329,  
D21/369-370; D14/304; 463/17, 19, 20,  
463/46-47

See application file for complete search history.

(56) **References Cited**

**U.S. PATENT DOCUMENTS**

D376,391 S	*	12/1996	Okumura	.....	D21/326
D467,977 S	*	12/2002	Gatto et al.	.....	D21/326
D500,098 S	*	12/2004	Doi	.....	D21/326
D545,912 S	*	7/2007	Nunokawa	.....	D21/326

D561,840 S	*	2/2008	Osuka	.....	D21/325
D565,667 S	*	4/2008	Sugimori et al.	.....	D21/325
D607,948 S	*	1/2010	de Viveiros Ortiz	.....	D21/369

\* cited by examiner

*Primary Examiner* — Sandra Morris

(74) *Attorney, Agent, or Firm* — Whyte Hirschboeck Dudek SC

(57) **CLAIM**

The ornamental design for gaming machine, as shown and described.

**DESCRIPTION**

FIG. 1 is a perspective view of gaming machine showing my new design;

FIG. 2 is a front elevational view thereof;

FIG. 3 is a rear elevational view thereof;

FIG. 4 is a left side elevational view thereof;

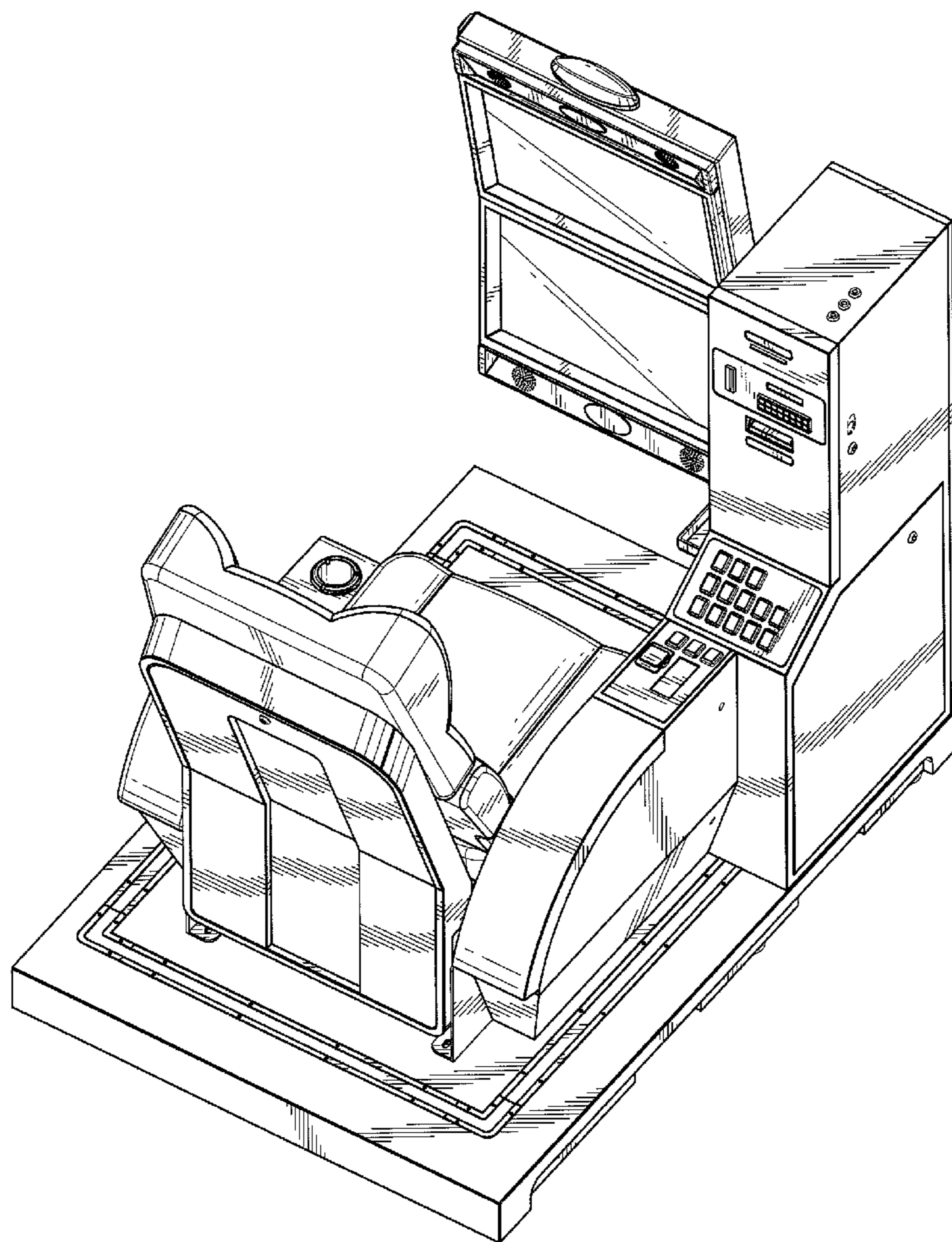
FIG. 5 is a right side elevational view thereof;

FIG. 6 is a top plan view thereof; and,

FIG. 7 is a bottom plan view thereof.

The portions shown in dashed lines do not form part of the design.

**1 Claim, 7 Drawing Sheets**



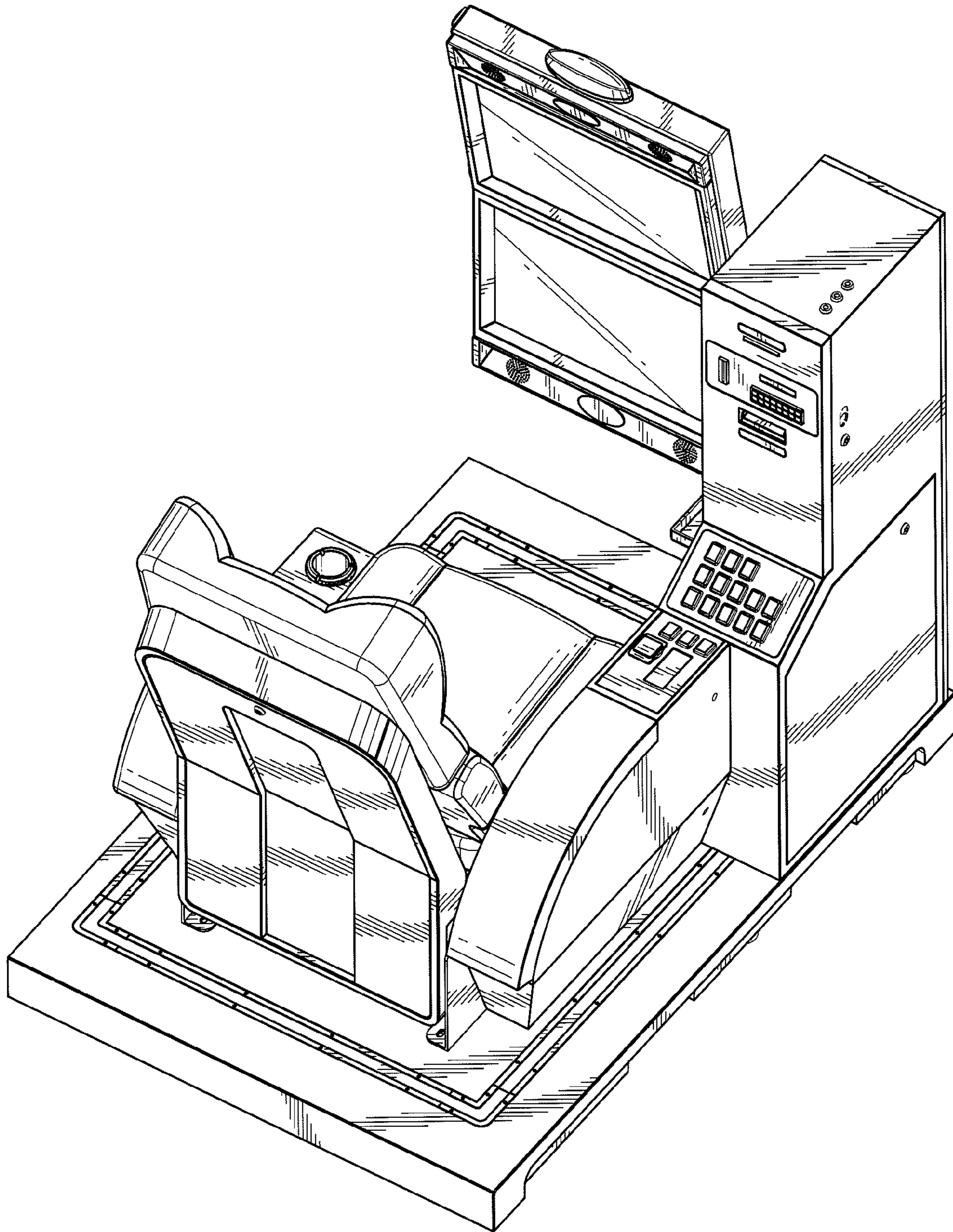


FIG. 1

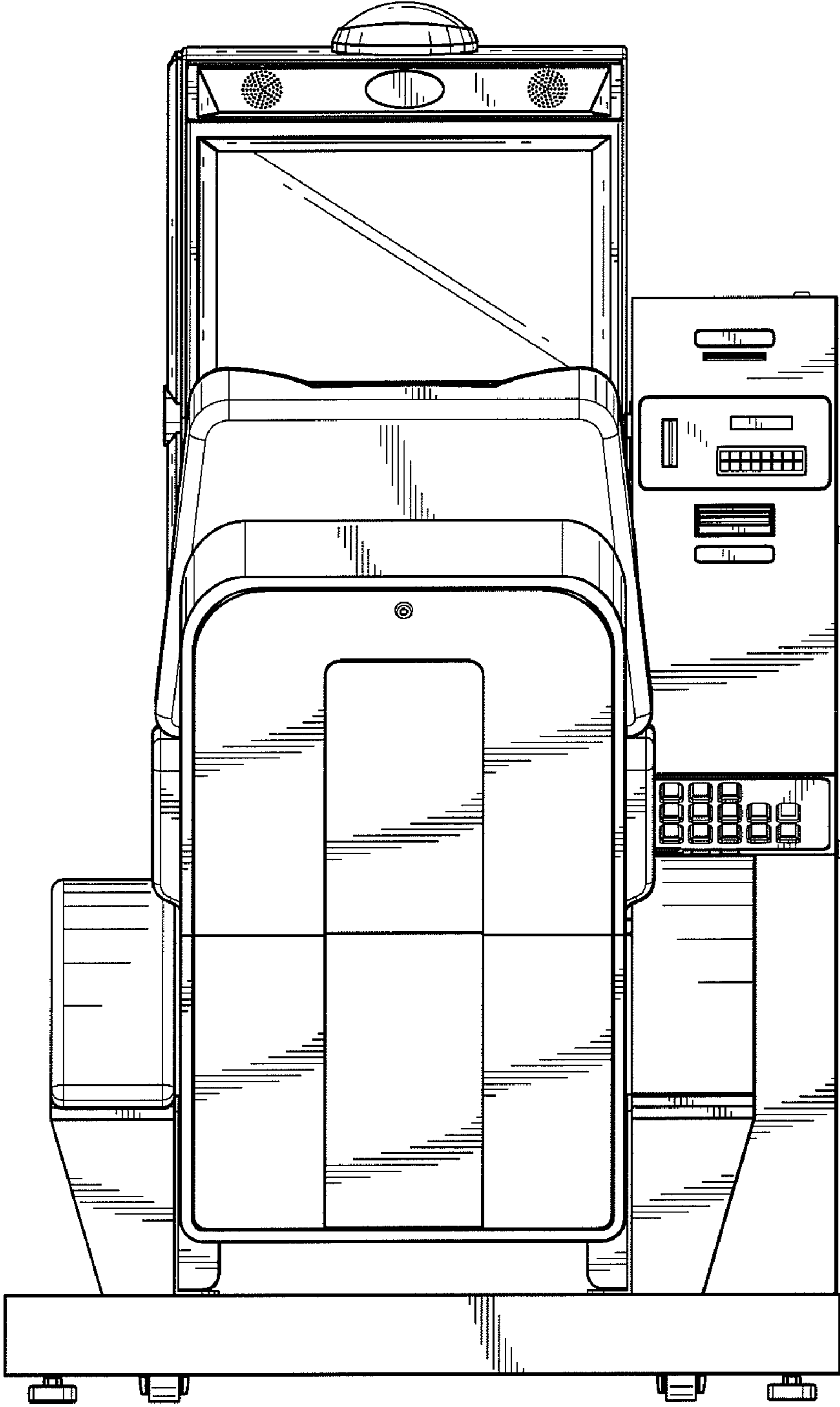


FIG. 2



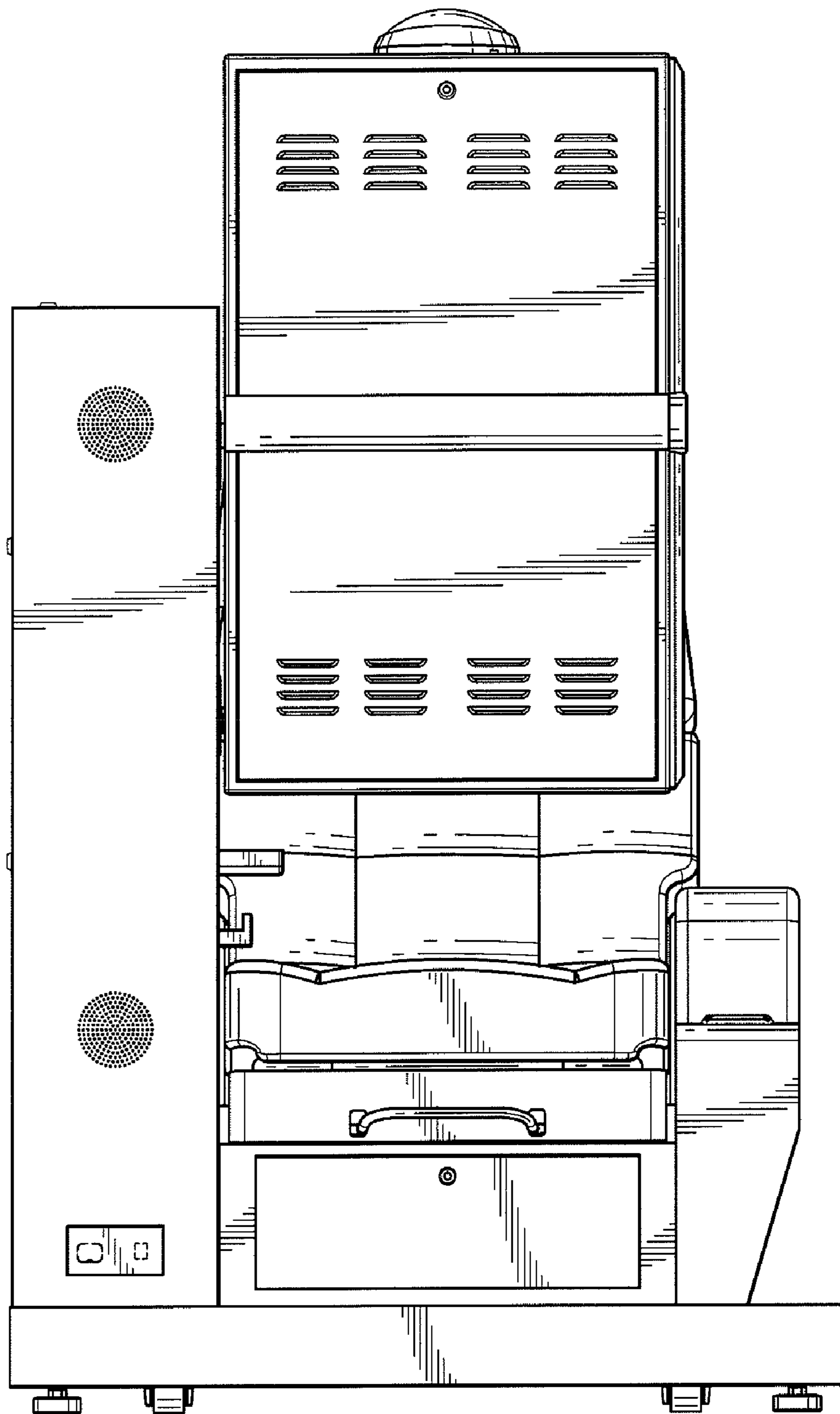


FIG. 3

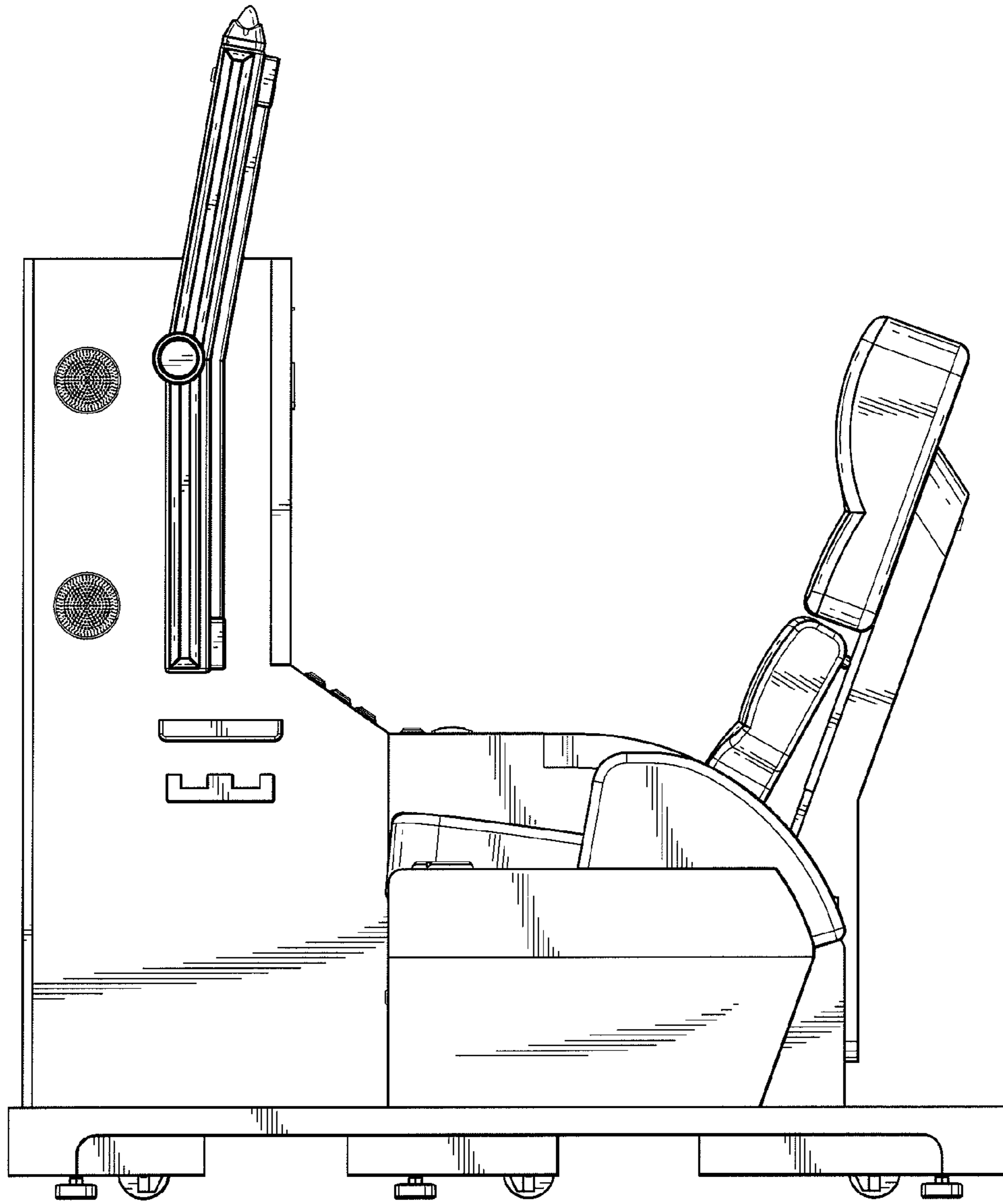


FIG. 4

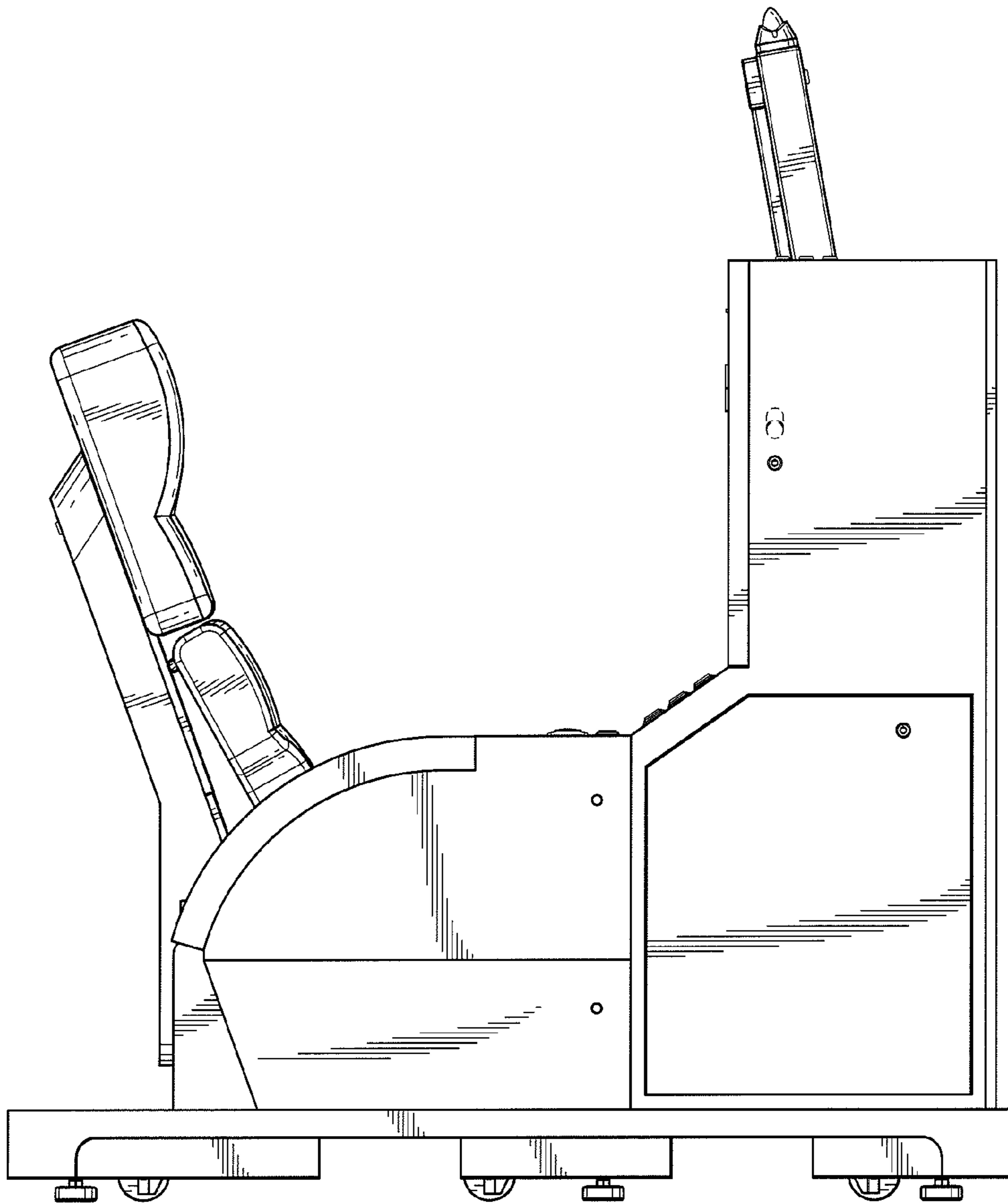


FIG. 5

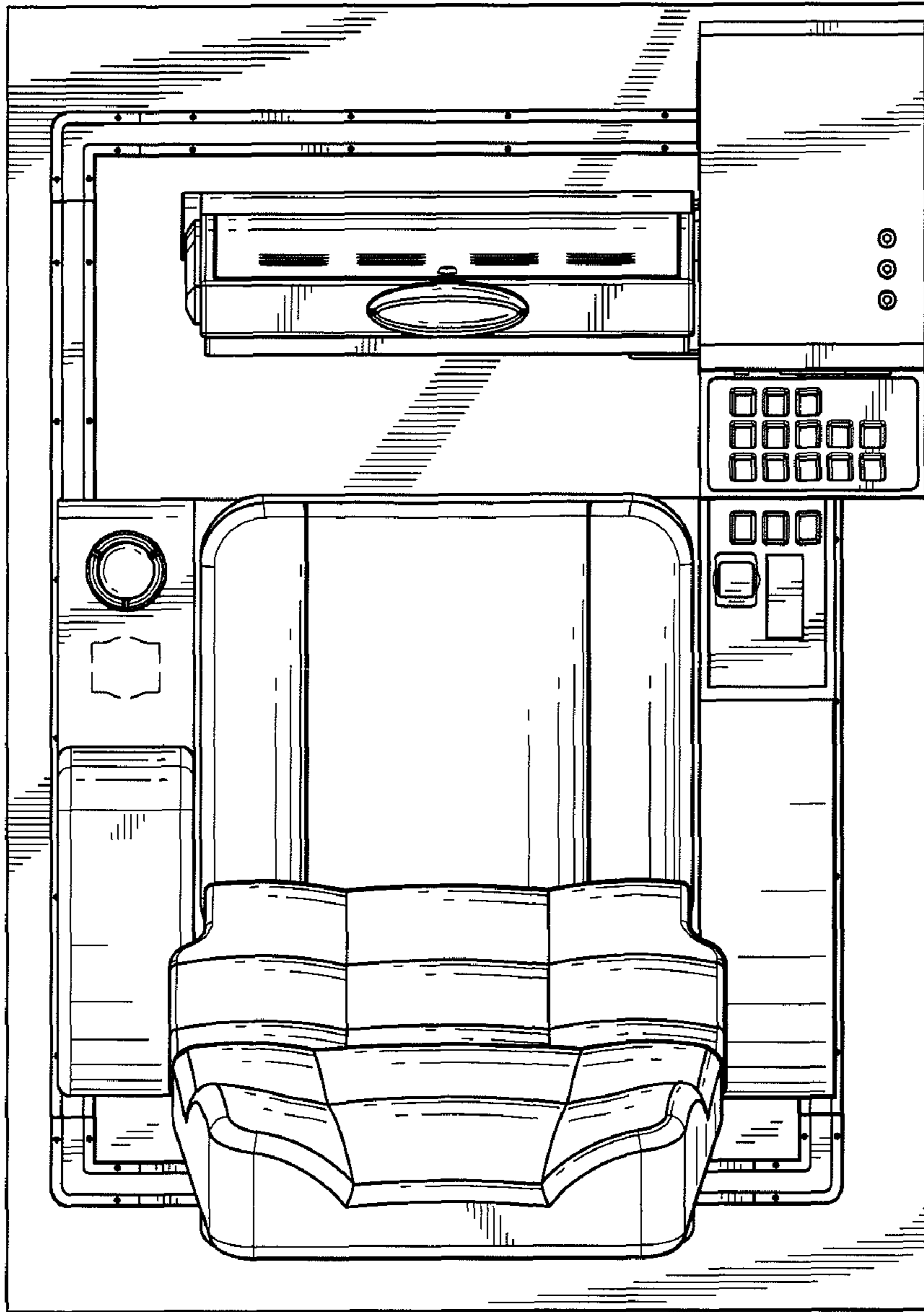


FIG. 6

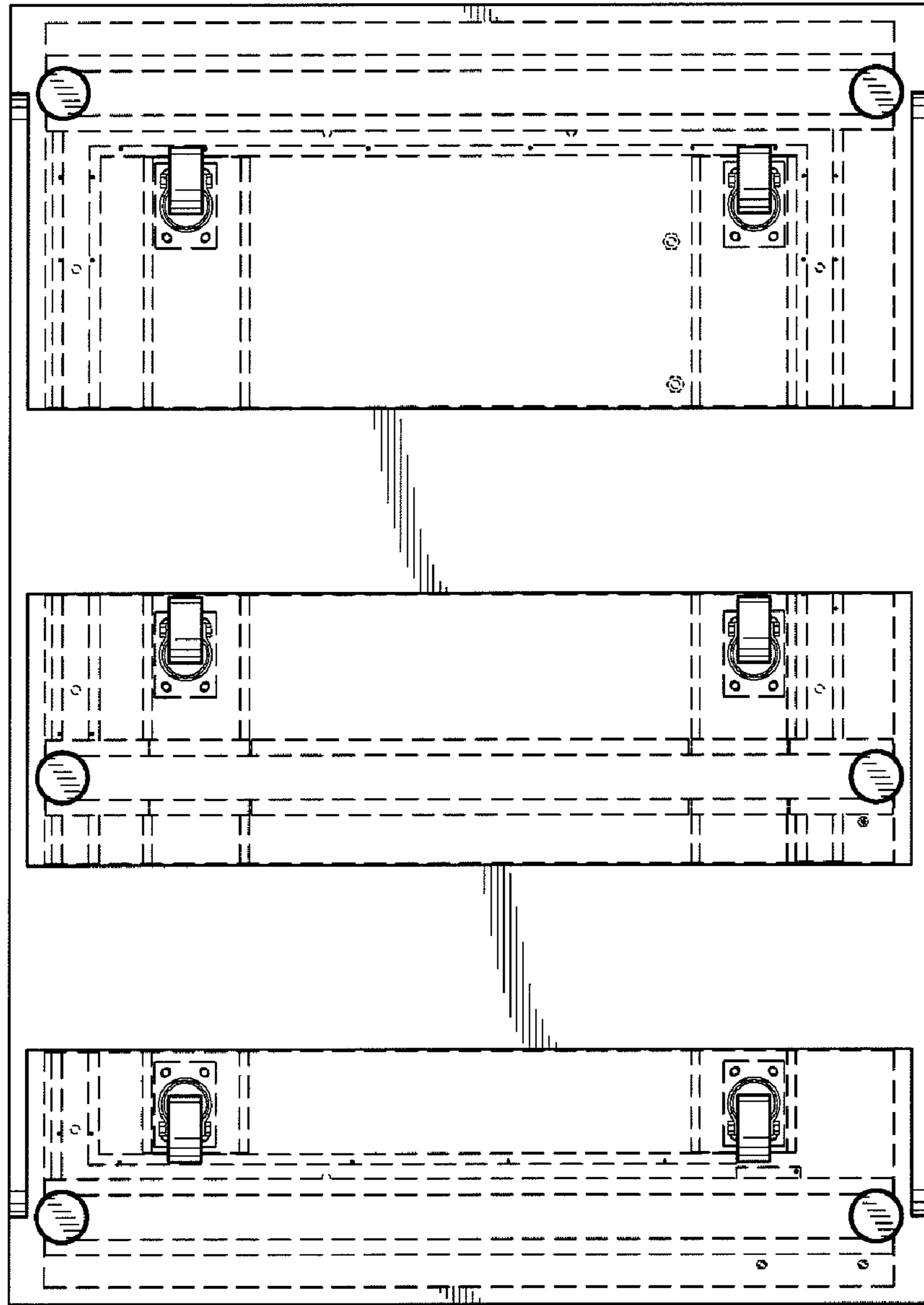


FIG. 7