



US00D658716S

(12) **United States Design Patent**
He

(10) **Patent No.:** **US D658,716 S**
(45) **Date of Patent:** **** May 1, 2012**

(54) **HOLE PUNCH**

(75) Inventor: **Yangyi He**, Rockville, MD (US)

(73) Assignee: **Staples The Office Superstore, LLC**, Framingham, MA (US)

(**) Term: **14 Years**

(21) Appl. No.: **29/407,969**

(22) Filed: **Dec. 6, 2011**

4,466,322 A	8/1984	Mori
4,499,805 A	2/1985	Mori
4,509,396 A	4/1985	Schall et al.
4,611,520 A	9/1986	Terracciano
4,688,457 A	8/1987	Neilsen et al.
4,700,601 A	10/1987	Simon
4,713,995 A	12/1987	Davi
4,763,552 A	8/1988	Wagner
4,823,661 A	4/1989	Freres
4,829,867 A	5/1989	Neilsen
4,833,958 A	5/1989	Abildgaard et al.
4,898,055 A	2/1990	Neilsen
4,949,449 A	8/1990	Wilson
4,987,683 A	1/1991	Brych
5,007,782 A	4/1991	Groswith, III et al.

(Continued)

Related U.S. Application Data

(62) Division of application No. 29/392,656, filed on May 25, 2011.

(51) **LOC (9) Cl.** **19-02**

(52) **U.S. Cl.** **D19/72**

(58) **Field of Classification Search** D8/98;
D19/72; 30/358, 363; 83/167, 613, 618,
83/620, 633, 684, 685, 686, 687, 688, 689,
83/690, 691

See application file for complete search history.

Primary Examiner — Elizabeth Albert

(74) *Attorney, Agent, or Firm* — Wolf, Greenfield & Sacks, P.C.

(57) **CLAIM**

The ornamental design for hole punch, as shown and described.

DESCRIPTION

FIG. 1 is a top, front, left side perspective view of a hole punch;

FIG. 2 is a front elevational view of the embodiment of FIG. 1;

FIG. 3 is a rear elevational view of the embodiment of FIG. 1; FIG. 4 is a right side elevational view of the embodiment of FIG. 1;

FIG. 5 is a left side elevational view of the embodiment of FIG. 1; and,

FIG. 6 is a top plan view of the embodiment of FIG. 1.

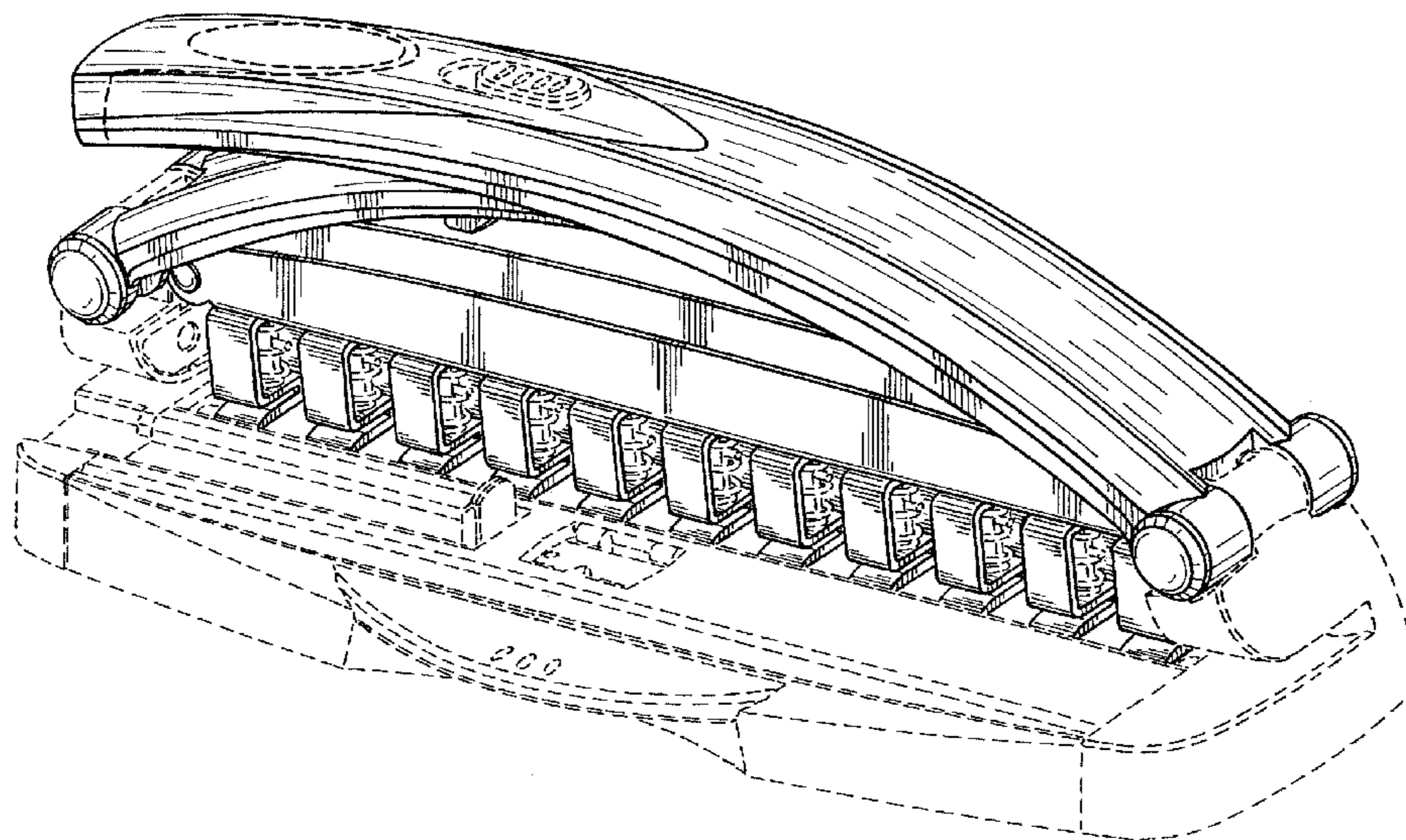
The broken lines showing parts of the hole punch that are unclaimed are included for the purpose of illustrating portions that form no part of the claimed design.

1 Claim, 5 Drawing Sheets

(56) **References Cited**

U.S. PATENT DOCUMENTS

332,666 A	12/1885	Laney
2,200,672 A	5/1940	Kern
2,382,523 A	8/1945	Unger
2,587,749 A	3/1952	Misson
3,005,371 A	10/1961	Misson
3,492,901 A	2/1970	Smith
3,714,857 A	2/1973	Stuertz et al.
3,750,514 A	8/1973	Tanaka
D233,951 S	12/1974	Buan
3,906,633 A	9/1975	Inoue
3,921,487 A	11/1975	Otsuka et al.
4,036,088 A	7/1977	Ruskin
4,166,404 A	9/1979	Almog
4,210,048 A	7/1980	Cohler et al.
4,421,000 A	12/1983	Murphy



US D658,716 S

U.S. PATENT DOCUMENTS					
5,040,441	A	8/1991 Tamura	D489,763	S	5/2004 Chen
5,044,239	A	9/1991 Endo et al.	6,799,498	B2	10/2004 Spiel
5,044,242	A	9/1991 Chiang	D506,784	S	6/2005 Bodum
D320,407	S	10/1991 Lathrop, Jr. et al.	6,983,877	B2	1/2006 Ko
5,143,502	A	9/1992 Kaufmann et al.	7,032,490	B2	4/2006 Lee
D330,049	S	10/1992 Lathrop et al.	7,036,416	B2	5/2006 Whiteman et al.
5,162,250	A	11/1992 Clark	D541,867	S	5/2007 Kent et al.
5,163,350	A	11/1992 Groswith, III et al.	D542,848	S	5/2007 Kent et al.
5,247,863	A	9/1993 Cohen	D543,243	S	5/2007 Holiday
5,273,387	A	12/1993 Groswith, III et al.	7,225,659	B2	6/2007 Tomita
5,291,813	A	3/1994 Blumenthal et al.	7,299,960	B1	11/2007 Marks
D350,564	S	9/1994 Goodin	D564,593	S	3/2008 Kent et al.
5,386,638	A	2/1995 Weber	D564,594	S	3/2008 Kent et al.
5,409,319	A	4/1995 Bedol	7,610,838	B2	11/2009 Kent et al.
D361,786	S	8/1995 Yang	7,721,635	B2	5/2010 Luo
5,501,128	A	3/1996 D'Amore	7,721,636	B2	5/2010 Liu
5,575,188	A	11/1996 Hu	2002/0066350	A1	6/2002 Chiang
5,584,124	A	12/1996 Marthaler et al.	2002/0157517	A1	10/2002 Huang
5,601,006	A	2/1997 Quinn et al.	2003/0010176	A1*	1/2003 Chiang 83/618
5,611,254	A	3/1997 Rall	2003/0024361	A1	2/2003 Kikuchi
D379,475	S	5/1997 Mangler	2003/0121384	A1	7/2003 Lin
5,632,188	A	5/1997 Karlis	2004/0069110	A1	4/2004 Godston et al.
5,730,038	A	3/1998 Evans et al.	2004/0237748	A1	12/2004 Potthoff et al.
5,740,712	A	4/1998 Watkins et al.	2004/0244553	A1	12/2004 Rodriguez
5,778,750	A	7/1998 Drzewiecki et al.	2004/0244554	A1	12/2004 Rodriguez
5,787,783	A	8/1998 Evans et al.	2005/0056133	A1	3/2005 Huang
5,797,308	A	8/1998 Evans et al.	2005/0081695	A1	4/2005 Lee
5,829,334	A	11/1998 Evans et al.	2005/0105982	A1	5/2005 Case
5,832,798	A	11/1998 Schneider et al.	2006/0048559	A1	3/2006 Huang
5,894,778	A	4/1999 Mori	2006/0144206	A1	7/2006 Lee
6,032,566	A	3/2000 Evans et al.	2007/0044618	A1	3/2007 Marks
6,079,924	A	6/2000 Chiang	2007/0044623	A1	3/2007 Marks
6,109,155	A	8/2000 Huang	2007/0044624	A1	3/2007 Marks
6,119,555	A	9/2000 DiMaria	2007/0199424	A1	8/2007 Marks
D445,832	S	7/2001 Chan	2007/0266836	A1	11/2007 Marks
6,439,093	B1	8/2002 Davies	2008/0168874	A1	7/2008 Luo et al.
D462,995	S	9/2002 Robillard	2008/0236353	A1	10/2008 Kent et al.
D468,360	S	1/2003 Chen	2009/0151528	A1	6/2009 Loibl
D468,772	S	1/2003 Robillard	2009/0151532	A1	6/2009 Liu
6,516,523	B1	2/2003 Lin	2009/0223341	A1	9/2009 Huang
D477,846	S	7/2003 Racamier	2010/0126325	A1	5/2010 Tsai
6,655,250	B1	12/2003 Ishii et al.	2011/0011233	A1*	1/2011 Baba 83/628
6,688,199	B2	2/2004 Godston et al.			

* cited by examiner

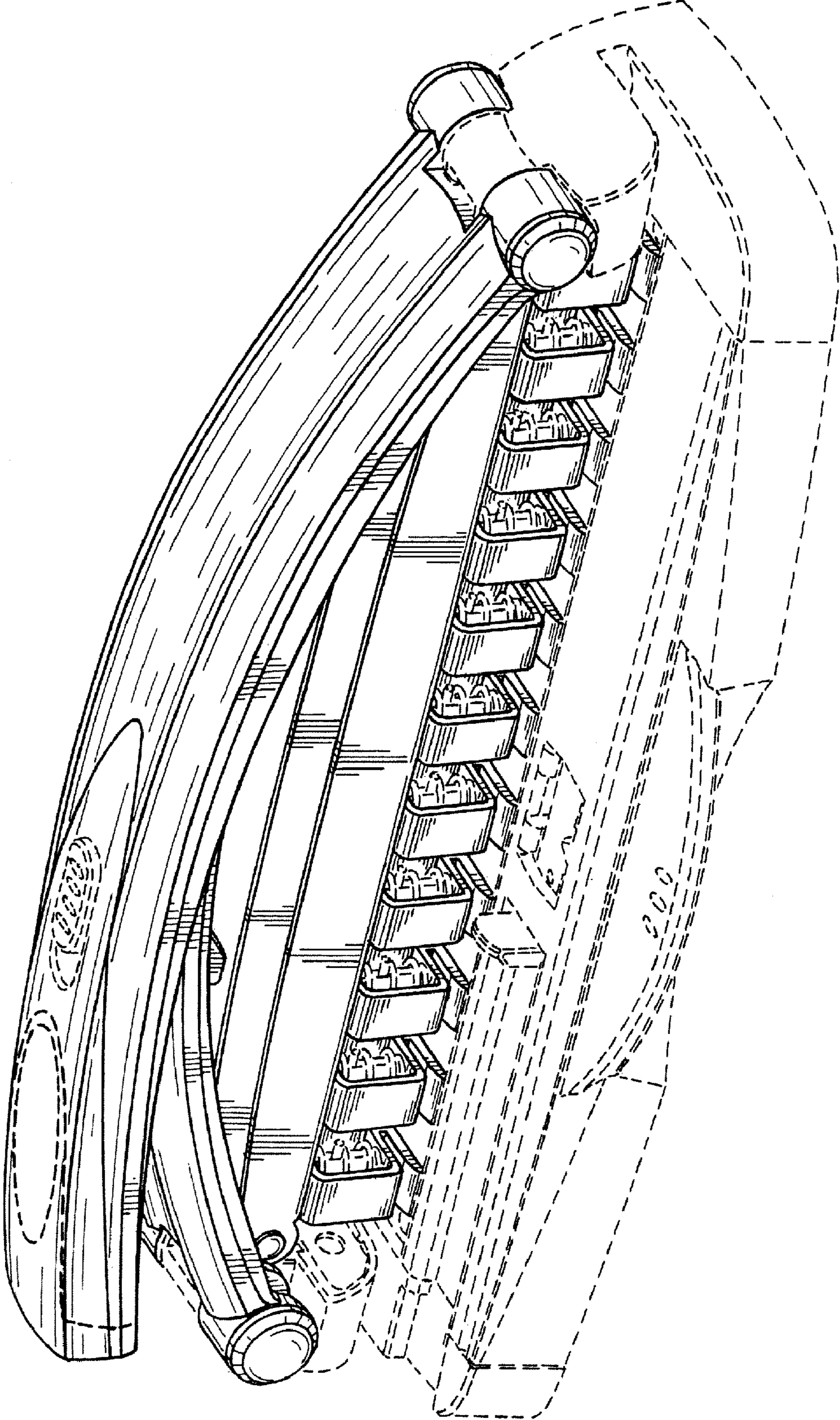


Fig. 1

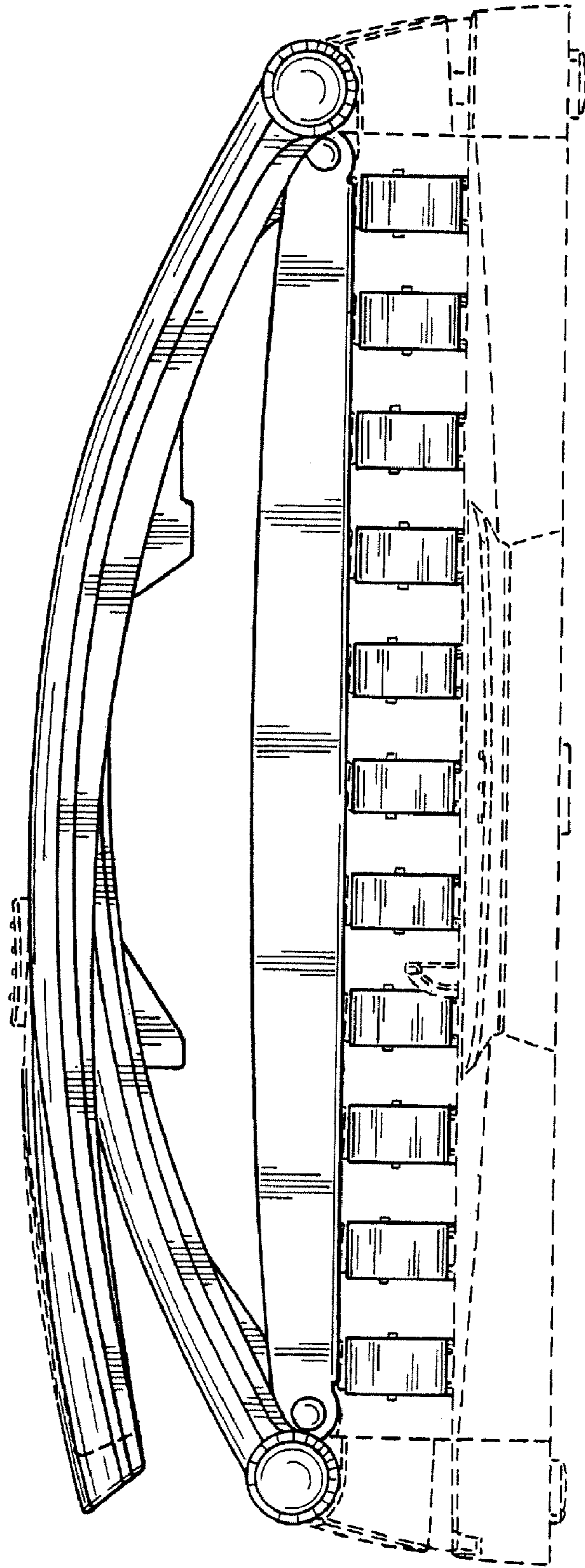


Fig. 2

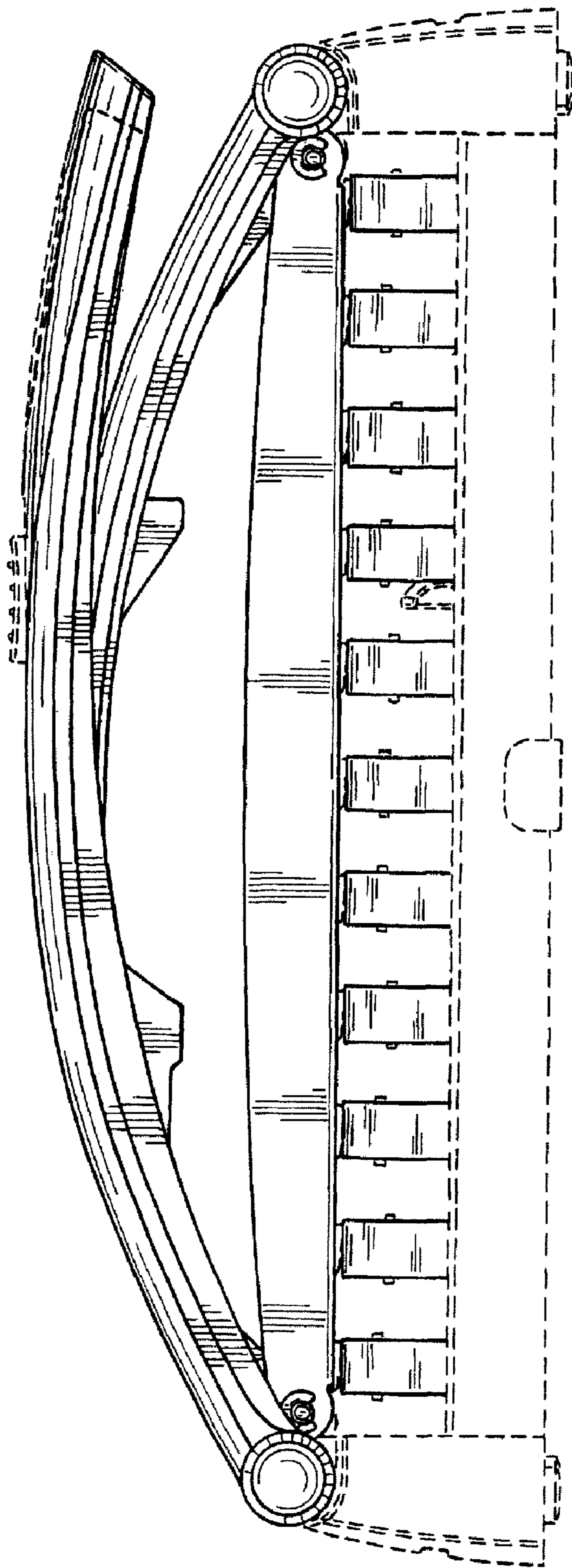


Fig. 3

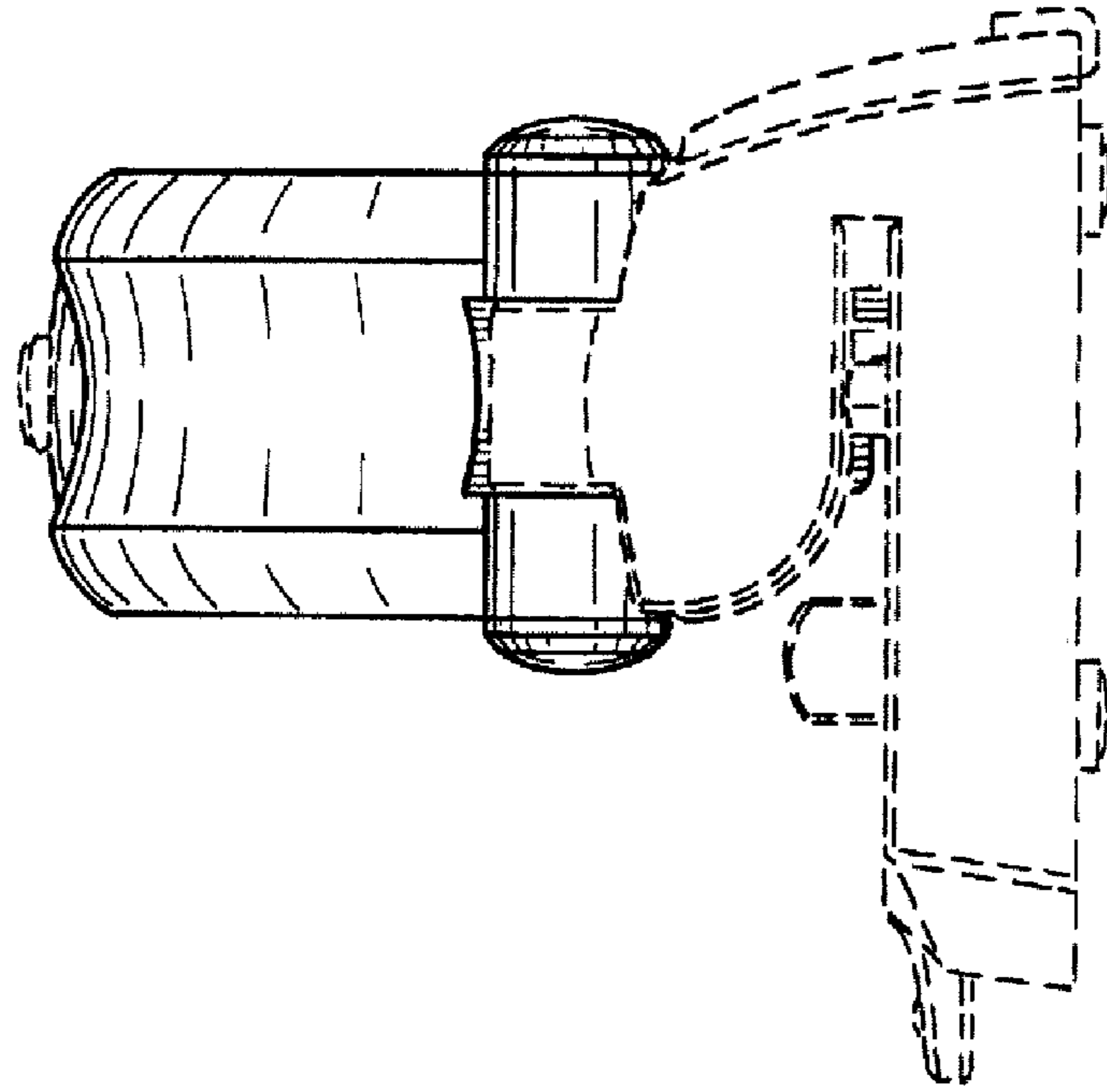


Fig. 5

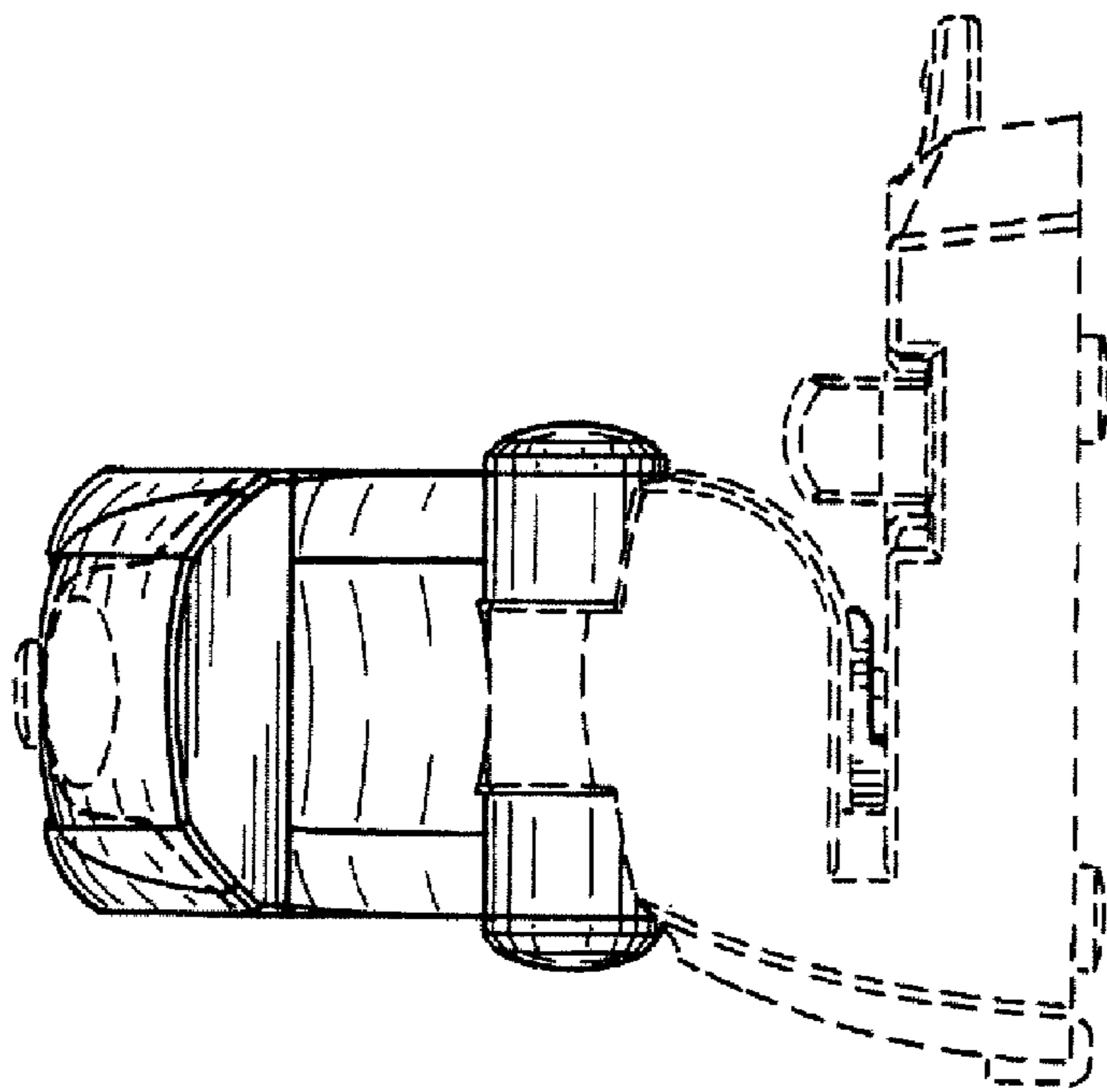


Fig. 4

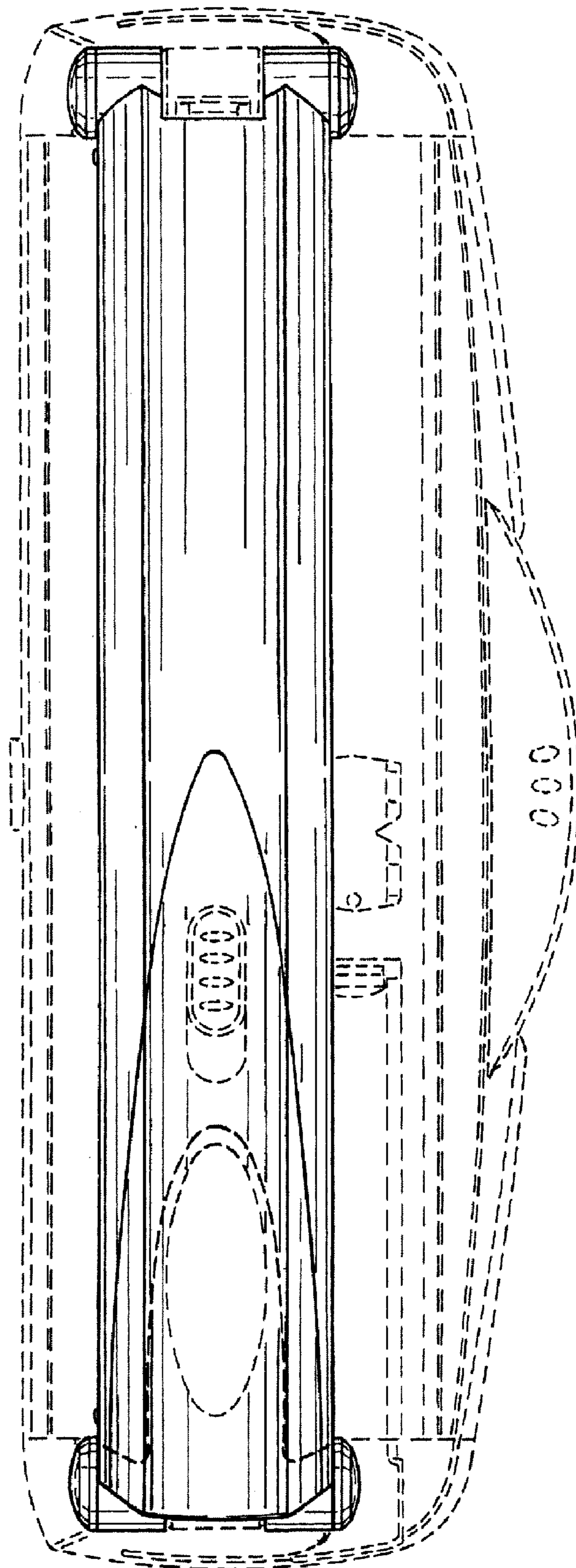


Fig. 6