



US00D658715S

(12) **United States Design Patent**
Greenberg

(10) **Patent No.:** **US D658,715 S**

(45) **Date of Patent:** **** *May 1, 2012**

(54) **STYLUS PEN**

(75) **Inventor:** **Yair Greenberg**, Woodland Hills, CA
(US)

(73) **Assignee:** **Yafa Pen Company**, Canoga Park, CA
(US)

(*) **Notice:** This patent is subject to a terminal disclaimer.

(**) **Term:** **14 Years**

(21) **Appl. No.:** **29/383,129**

(22) **Filed:** **Jan. 12, 2011**

(51) **LOC (9) Cl.** **19-06**

(52) **U.S. Cl.** **D19/46**

(58) **Field of Classification Search** D19/35,
D19/36, 41-51, 54-58; 24/11 R, 11 F, 11 P;
401/52, 99, 100, 192, 195, 196; D14/411
See application file for complete search history.

(56) **References Cited**

U.S. PATENT DOCUMENTS

D57,397	S	*	3/1921	Taussig	D19/46
1,406,736	A	*	2/1922	Hoffman	401/78
1,717,001	A	*	6/1929	Benson	24/11 P
1,750,032	A	*	3/1930	Timtiman	257/41
2,330,281	A	*	9/1943	Hasselquist et al.	24/11 F
D149,099	S	*	3/1948	Sweet	D8/391
D153,905	S	*	5/1949	Sager	D19/51
D164,976	S	*	10/1951	Aversa	D19/46
3,036,699	A	*	5/1962	Huber	206/306
D196,468	S	*	10/1963	Randolph	D19/43

D397,723	S	*	9/1998	Izushima	D19/49
D399,874	S	*	10/1998	Boix Gacia	D19/51
D427,633	S	*	7/2000	Pellisa Beneyto	D19/51
D433,448	S	*	11/2000	Rosenbaum	D19/51
D440,601	S	*	4/2001	Sasaki	D19/43
D456,846	S	*	5/2002	Pellisa Beneyto	D19/51
D463,492	S	*	9/2002	Kramer et al.	D19/51
D472,927	S	*	4/2003	Pellisa Beneyto	D19/51
6,802,818	B2	*	10/2004	Wang et al.	601/72
D523,081	S	*	6/2006	Pellisa Beneyto	D19/51
D525,304	S	*	7/2006	Briggl	D19/54
D553,681	S	*	10/2007	Cetera	D19/51
D564,026	S	*	3/2008	Bhavnani	D19/51
D582,980	S	*	12/2008	Price	D19/48
D589,558	S	*	3/2009	Avenatti	D19/51
D596,228	S	*	7/2009	Koch	D19/41
D624,591	S	*	9/2010	Koehler	D19/46
D626,177	S	*	10/2010	Koehler	D19/54

* cited by examiner

Primary Examiner — Elizabeth Albert

(74) *Attorney, Agent, or Firm* — Howard N. Sommers, P.C.

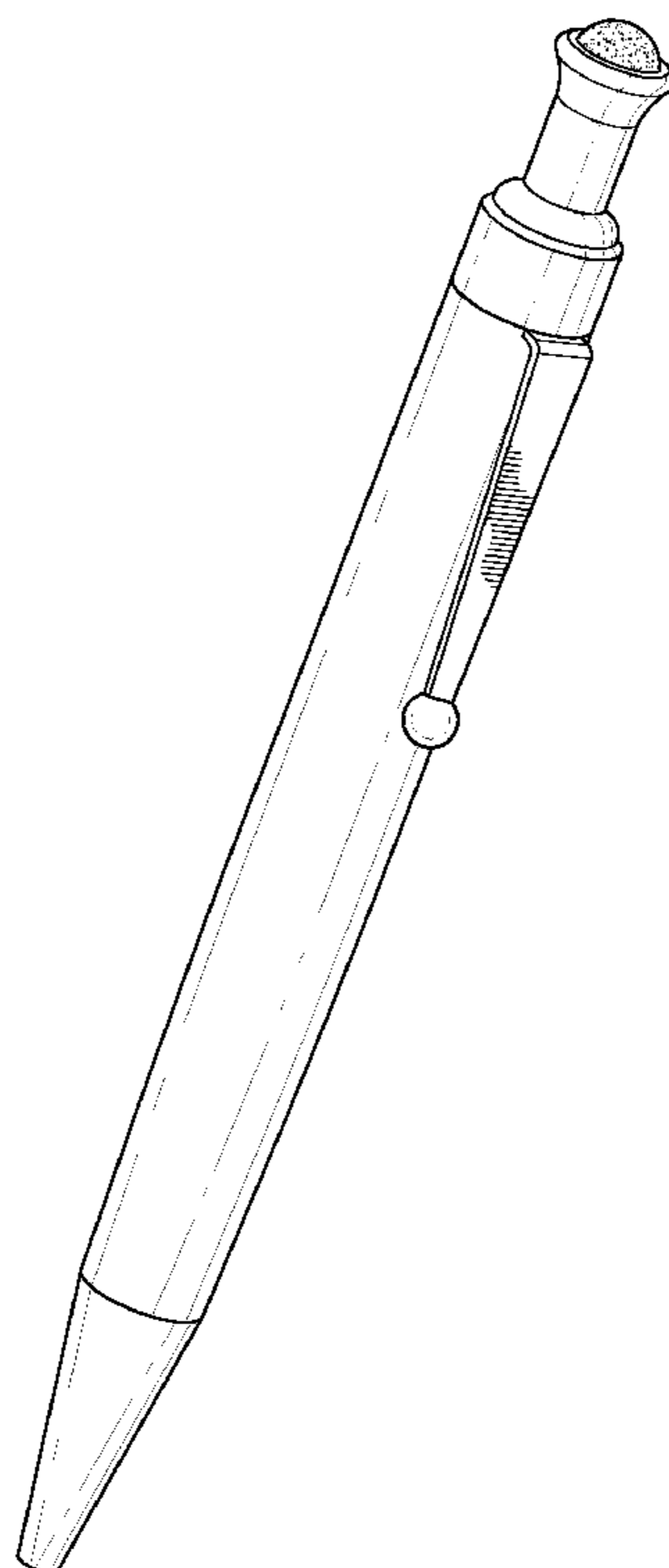
(57) **CLAIM**

The ornamental design for a stylus pen, as shown and described.

DESCRIPTION

FIG. 1 is a perspective view of a stylus pen showing my new design;
FIG. 2 is a front elevational view thereof;
FIG. 3 is an elevational view of a side thereof;
FIG. 4 is a rear elevational view thereof;
FIG. 5 is a top plan view thereof; and,
FIG. 6 is a bottom plan view thereof.

1 Claim, 3 Drawing Sheets



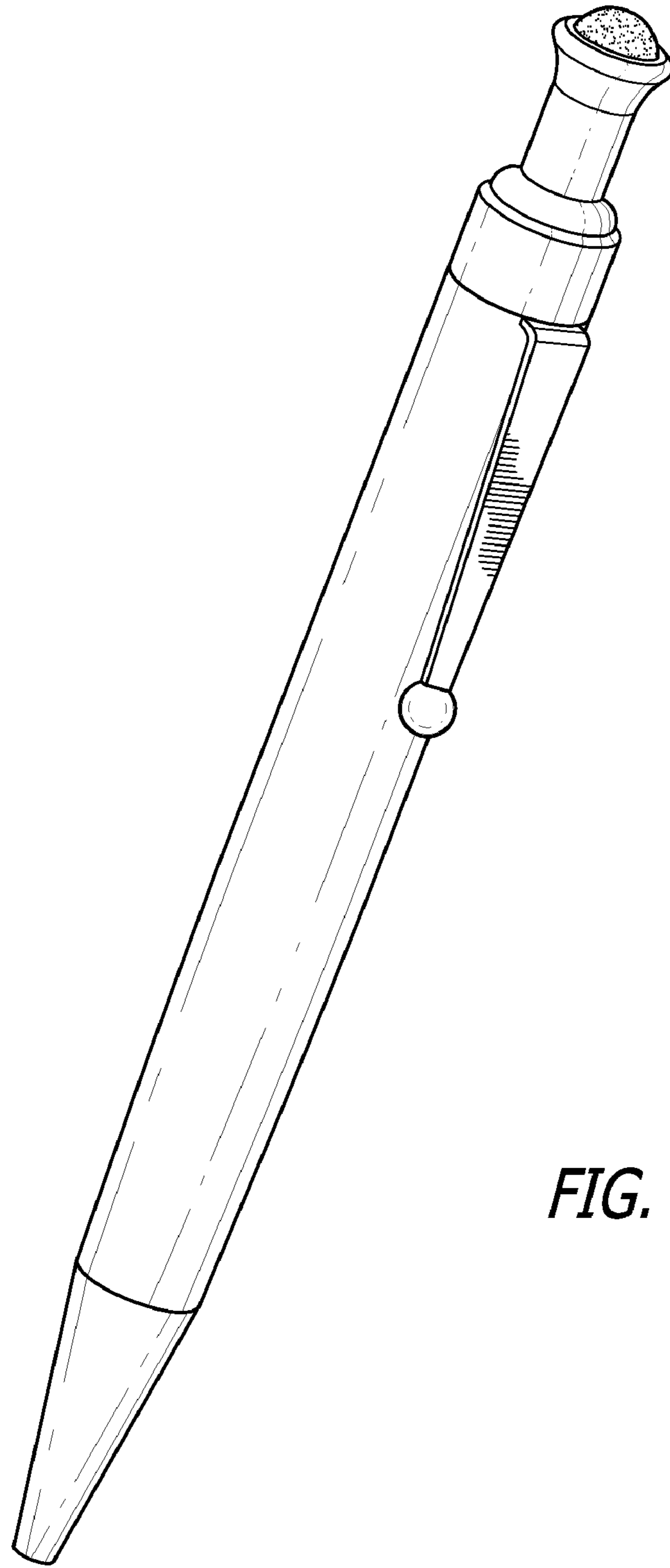


FIG. 1

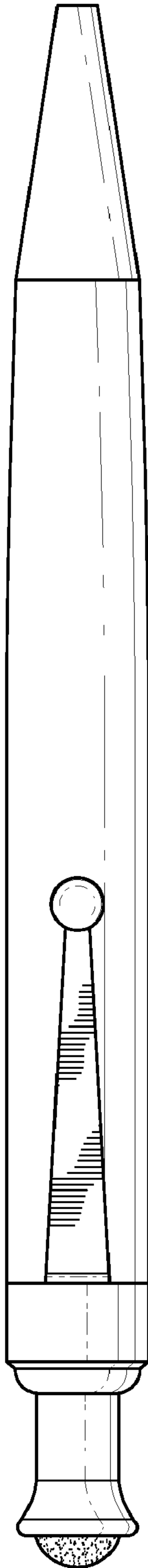


FIG. 2

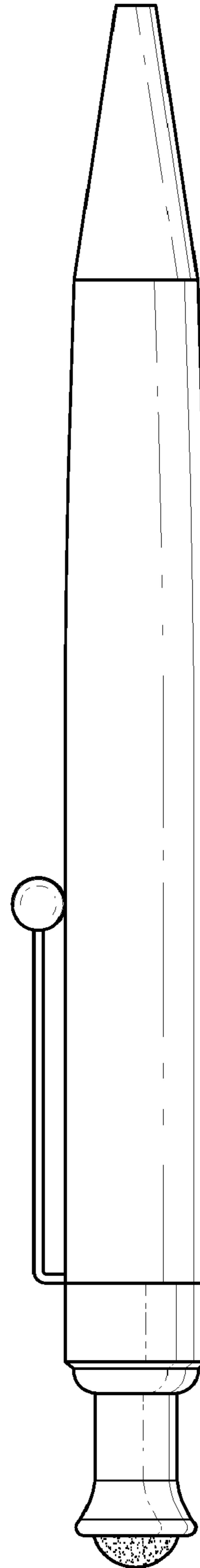


FIG. 3

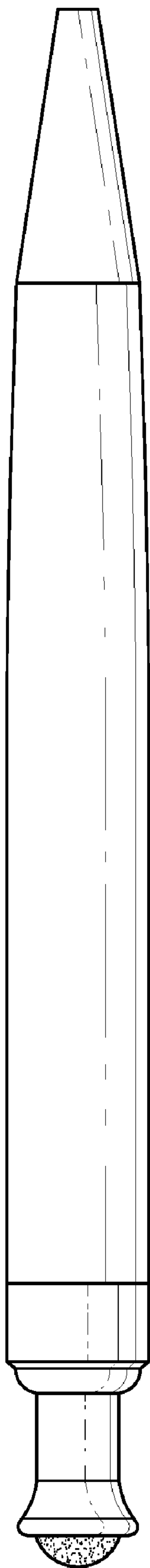


FIG. 4

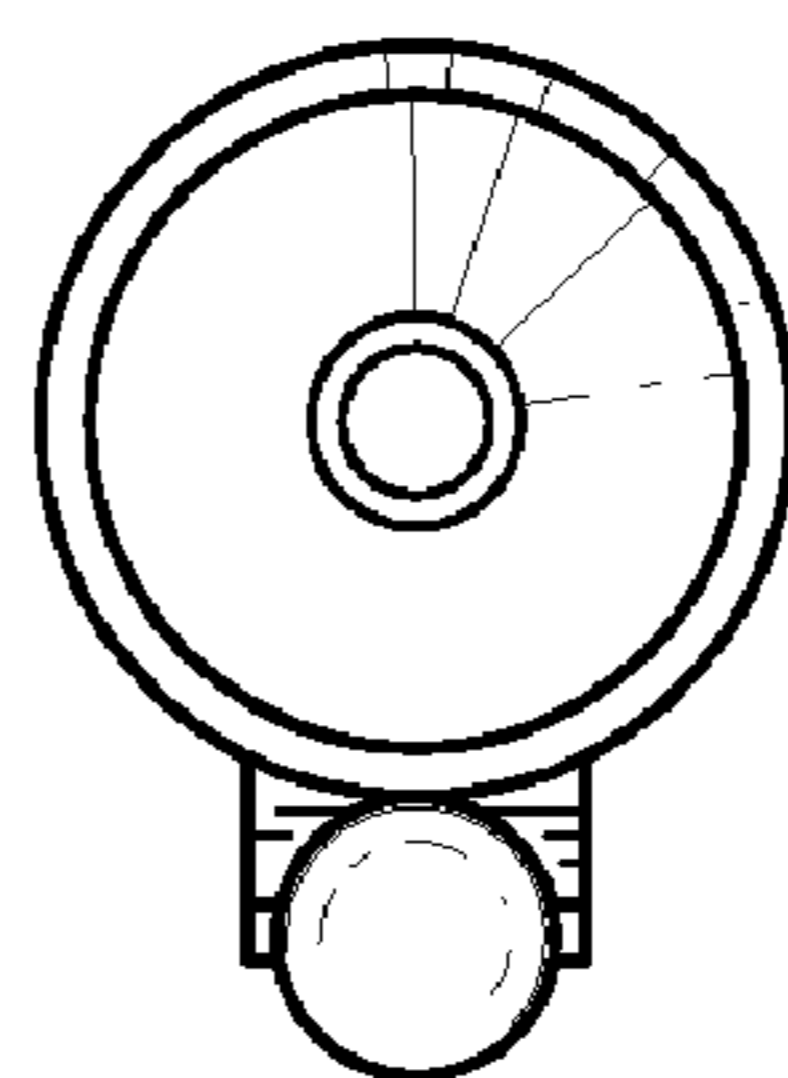


FIG. 6

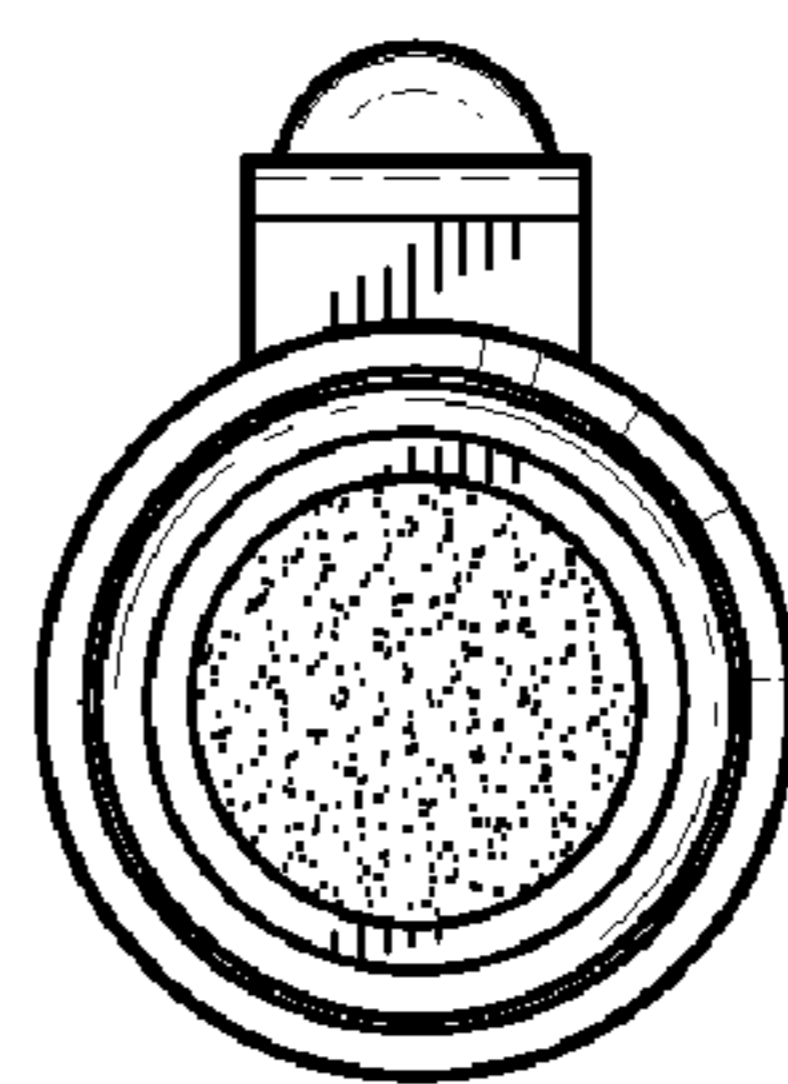


FIG. 5