



US00D658713S

(12) **United States Design Patent**  
**Miller et al.**

(10) **Patent No.:** **US D658,713 S**  
(45) **Date of Patent:** **\*\* May 1, 2012**

(54) **INDUSTRIAL PRINTER CARTRIDGE**

(75) Inventors: **Cris R. Miller**, Champlin, MN (US);  
**Yanhua Li**, Andover, MN (US)

(73) Assignee: **Engage Technologies Corp.**, Brooklyn  
Park, MN (US)

(\*\*) Term: **14 Years**

(21) Appl. No.: **29/381,899**

(22) Filed: **Dec. 24, 2010**

(51) **LOC (9) Cl.** ..... **18-02**

(52) **U.S. Cl.** ..... **D18/56**

(58) **Field of Classification Search** ..... D18/56;  
347/86-87

See application file for complete search history.

D590,014 S \* 4/2009 Nip ..... D18/56  
D617,376 S \* 6/2010 Lecheheb et al. .... D18/56  
D636,019 S \* 4/2011 Urabe et al. .... D18/56  
2010/0245502 A1 9/2010 Kanbe  
2010/0253754 A1 10/2010 Sulser et al.

**FOREIGN PATENT DOCUMENTS**

WO 2010/094199 A1 8/2010

\* cited by examiner

*Primary Examiner* — Cathy A MacCormac

(74) *Attorney, Agent, or Firm* — Dicke, Billig & Czaja,  
PLLC

(57) **CLAIM**

The ornamental design for an industrial printer cartridge, as  
shown and described herein.

(56) **References Cited**

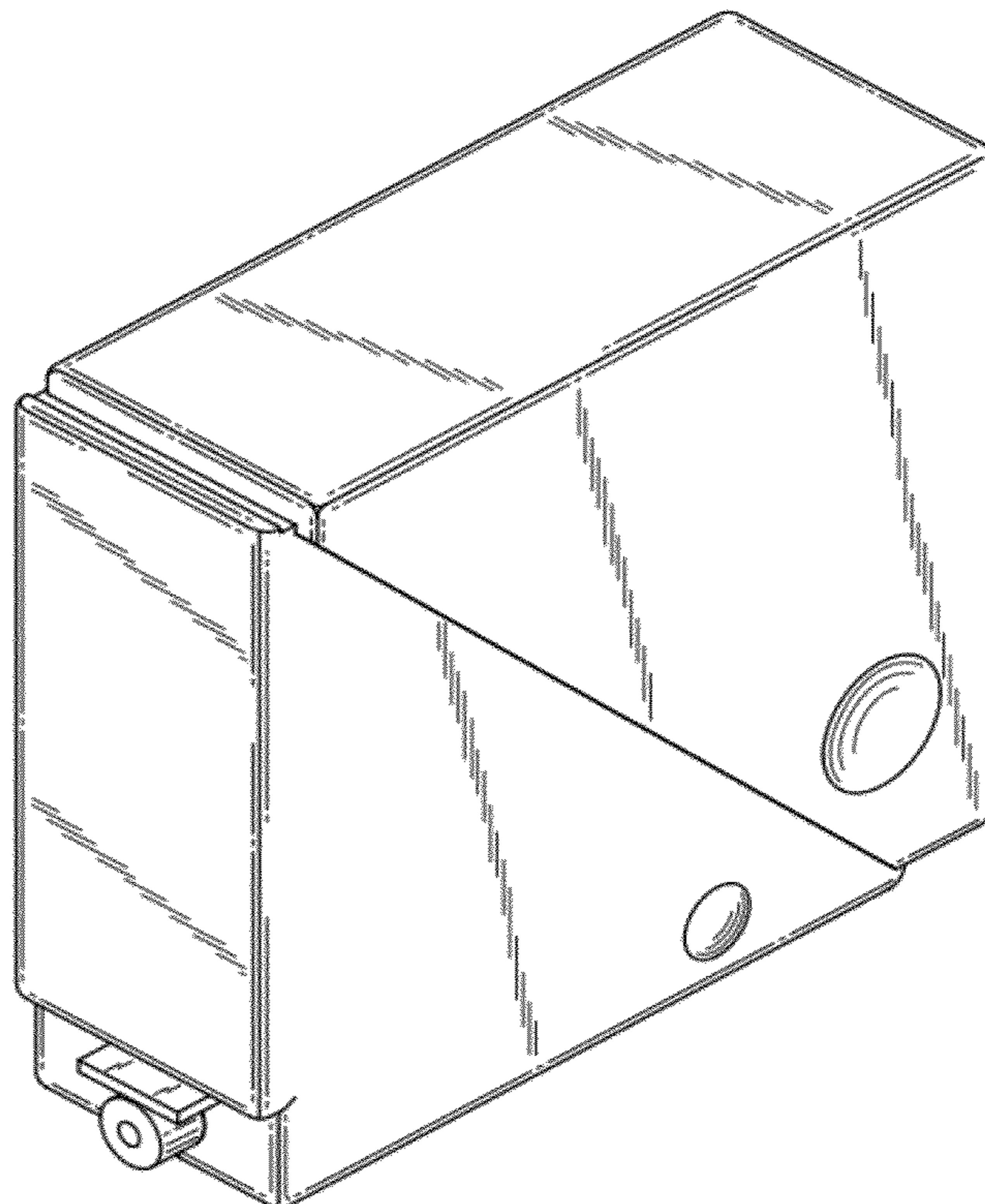
**U.S. PATENT DOCUMENTS**

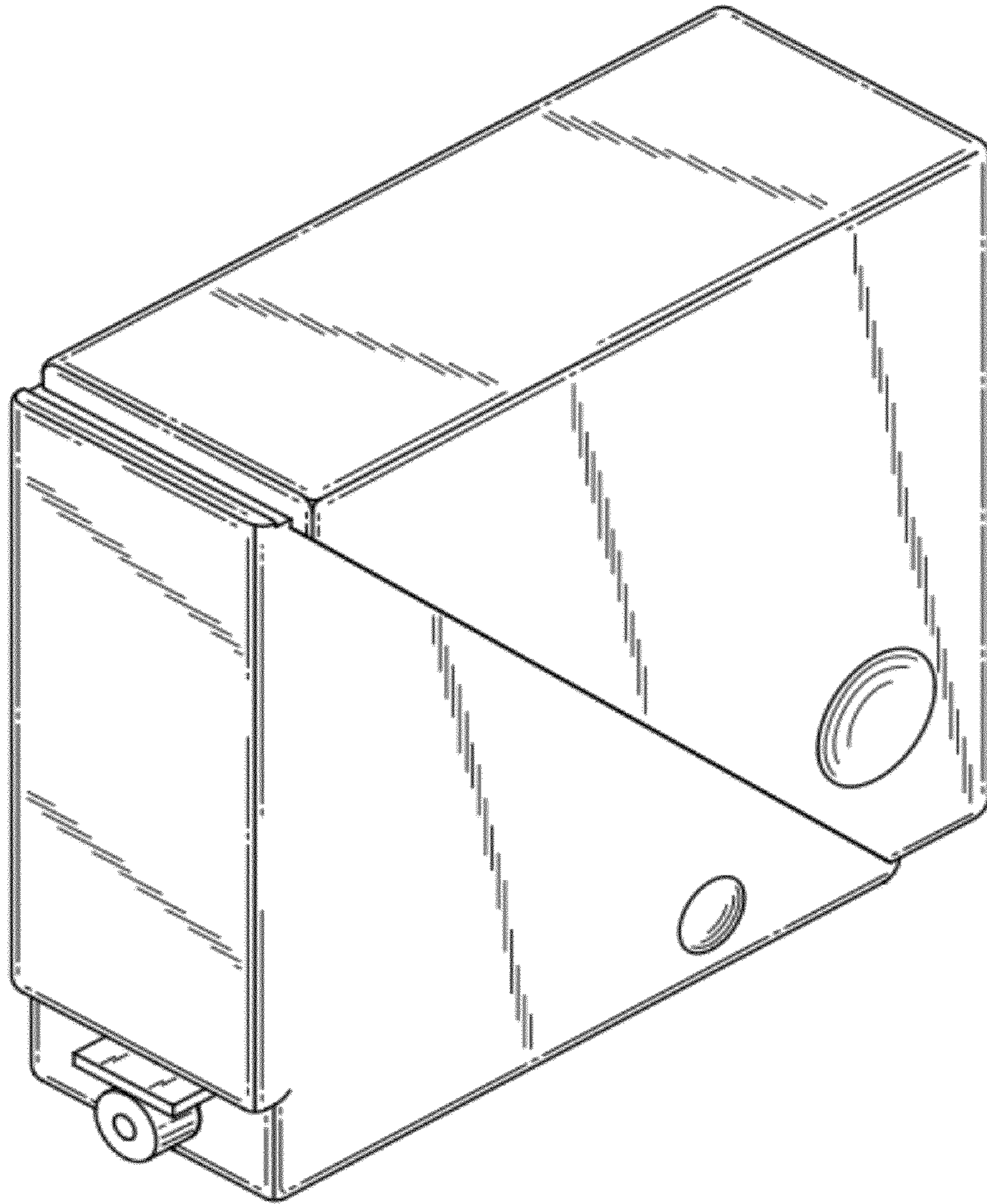
4,959,667 A \* 9/1990 Kaplinsky ..... 347/87  
5,051,759 A 9/1991 Karita et al.  
D361,591 S \* 8/1995 Tokuda et al. .... D18/56  
D387,379 S \* 12/1997 Sasaki ..... D18/56  
D425,110 S \* 5/2000 Dietl et al. .... D18/56  
6,345,890 B2 \* 2/2002 Tsukuni ..... 347/86  
6,416,152 B1 7/2002 Matsuzaki et al.  
6,729,711 B1 \* 5/2004 Hashimoto et al. .... 347/86  
D539,341 S \* 3/2007 Hattori et al. .... D18/56  
D540,856 S \* 4/2007 Hattori ..... D18/56  
D541,336 S \* 4/2007 Hattori ..... D18/56

**DESCRIPTION**

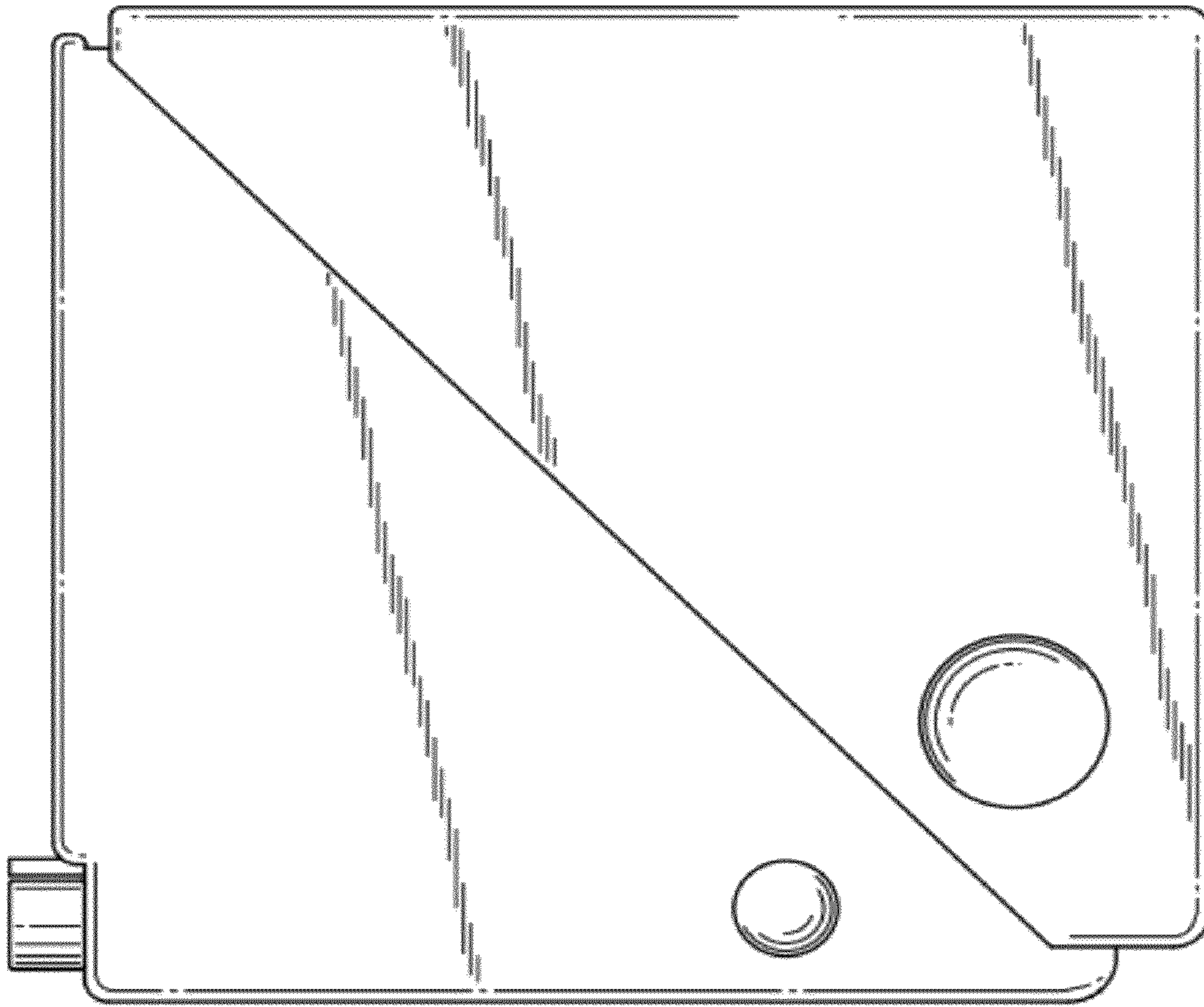
FIG. 1 is a front perspective view of an industrial printer  
cartridge;  
FIG. 2 is a right side view thereof;  
FIG. 3 is a left side view thereof;  
FIG. 4 is a front view thereof;  
FIG. 5 is a rear view thereof;  
FIG. 6 is a top plan view thereof; and,  
FIG. 7 is a bottom plan view thereof.

**1 Claim, 5 Drawing Sheets**

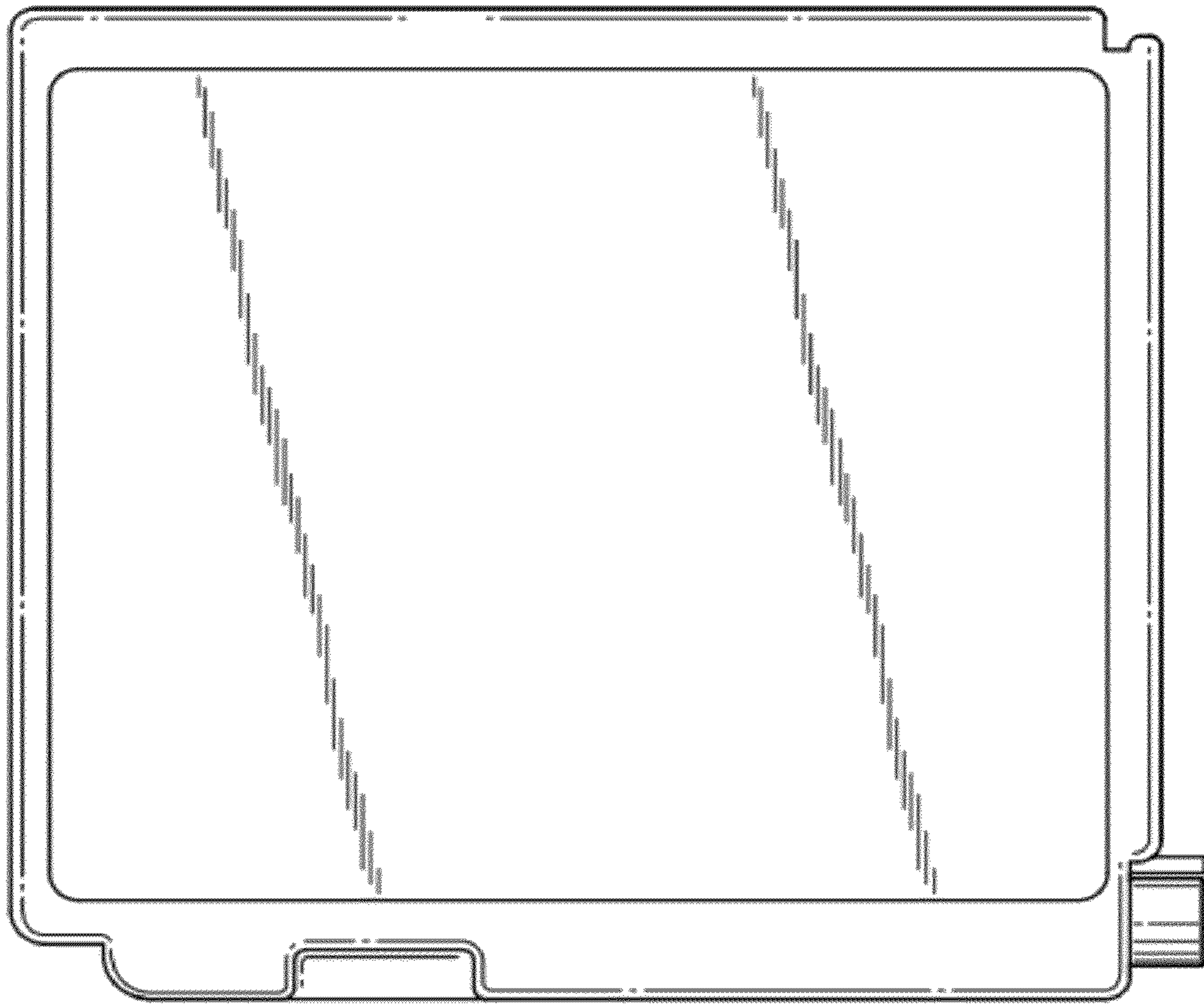




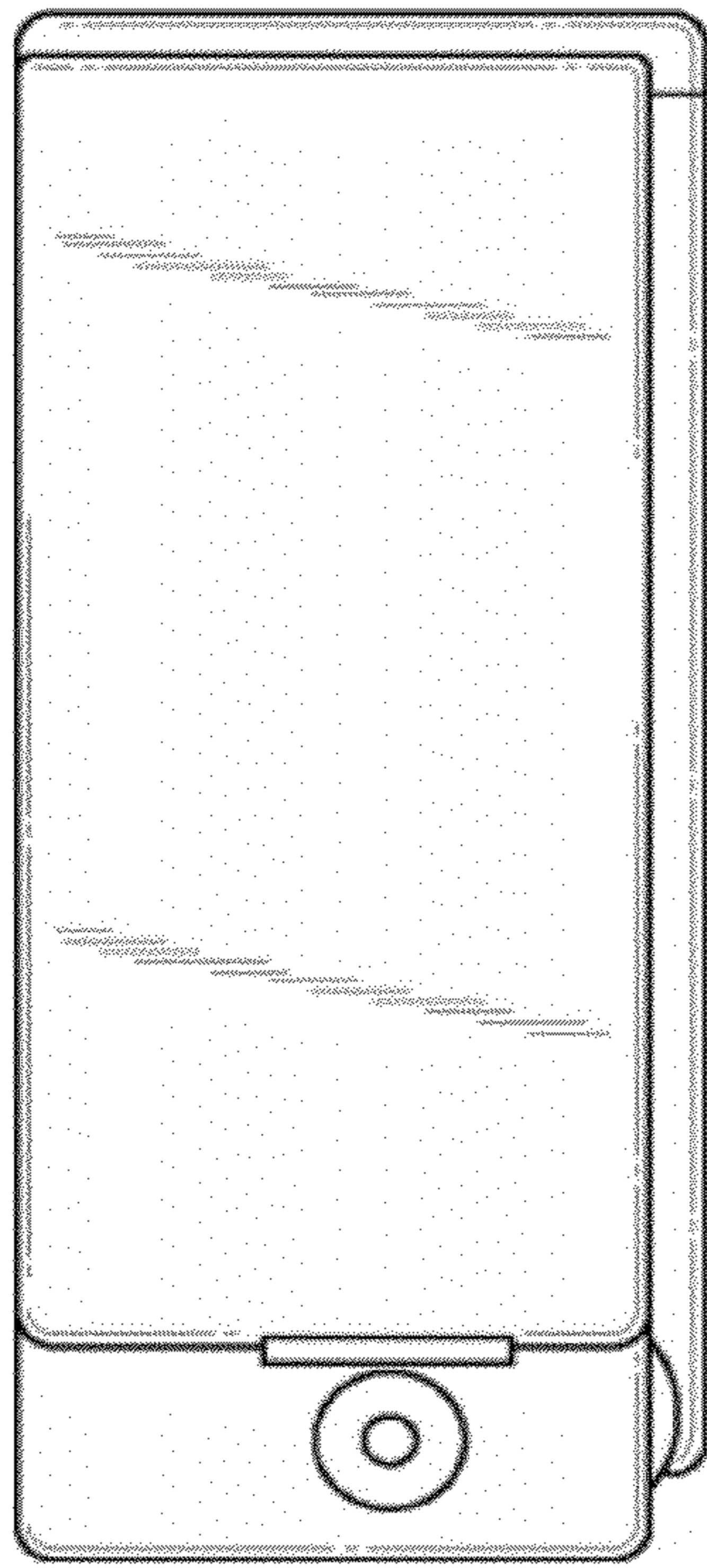
**Fig. 1**



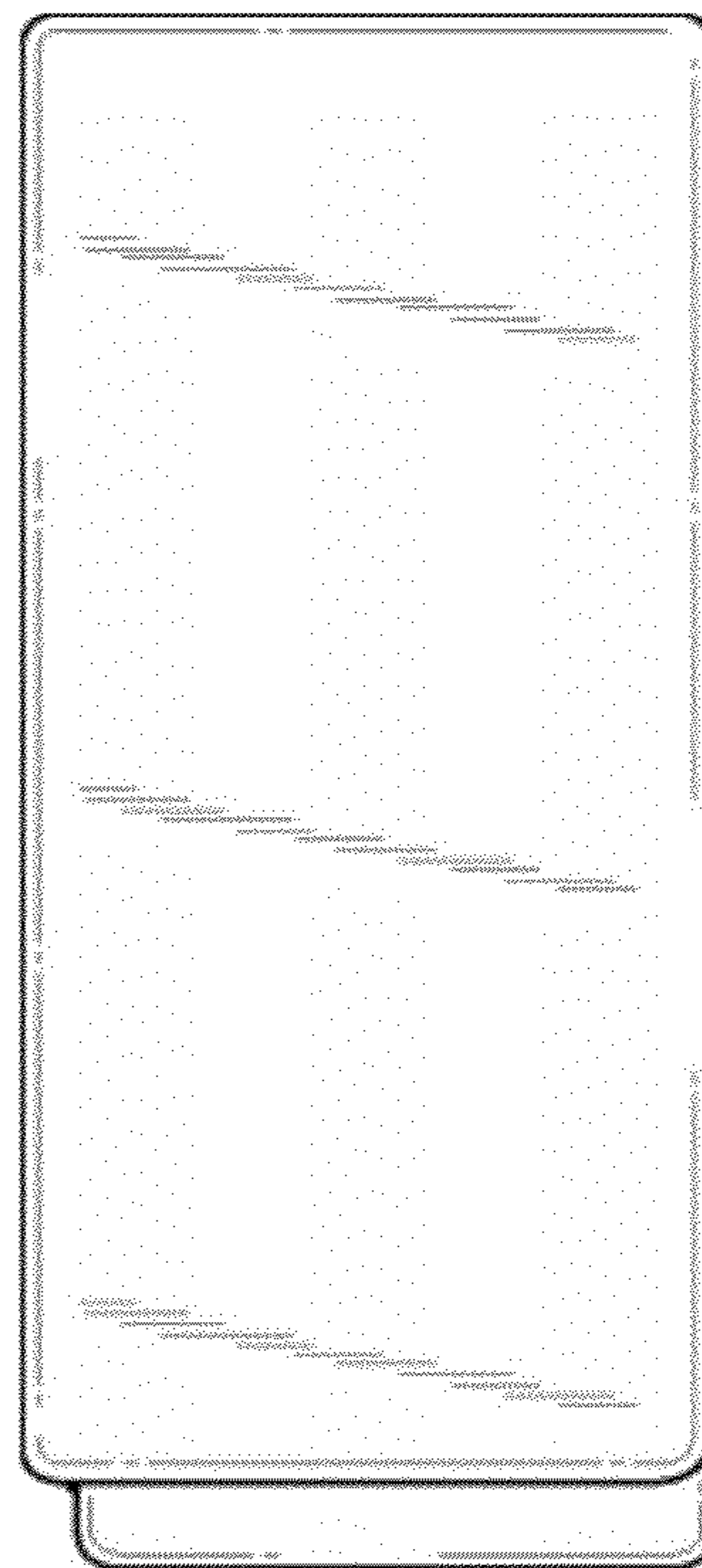
**Fig. 2**



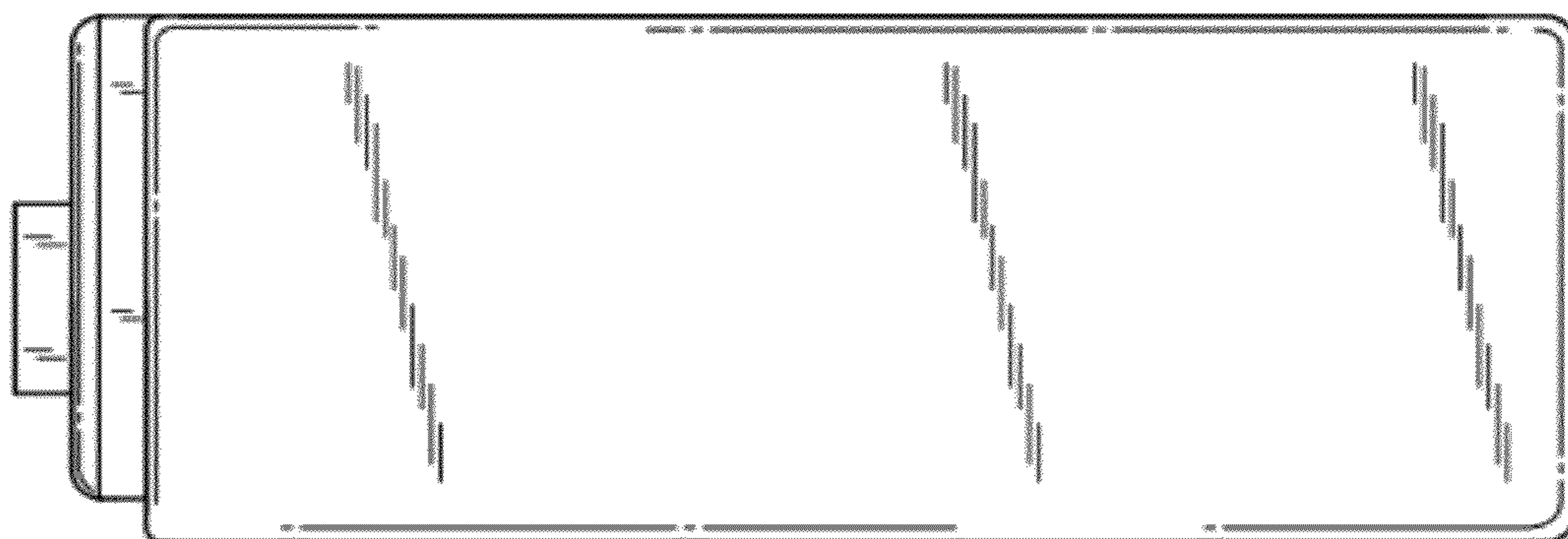
**Fig. 3**



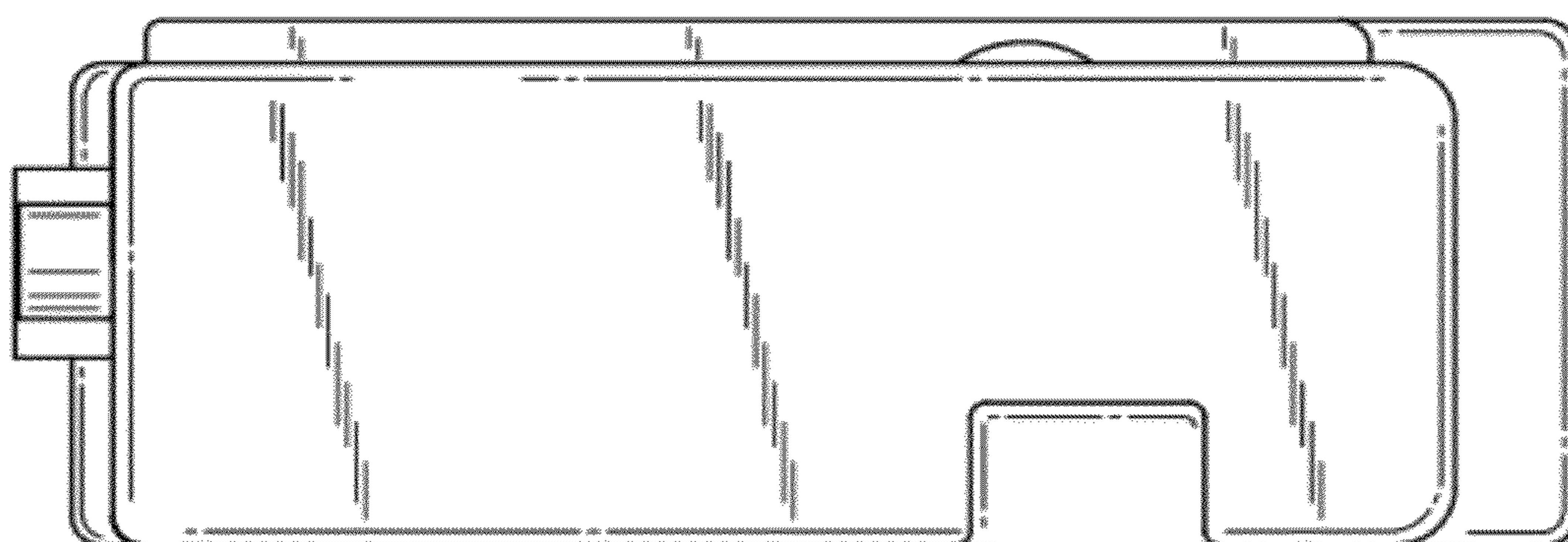
**Fig. 4**



**Fig. 5**



**Fig. 6**



**Fig. 7**